



US00D379827S

# United States Patent [19] André

[11] Patent Number: **Des. 379,827**

[45] Date of Patent: **\*\*Jun. 10, 1997**

## [54] COMPUTER PRINTER

[75] Inventor: **Bartley K. André**, Menlo Park, Calif.

[73] Assignee: **Apple Computer, Inc.**, Cupertino, Calif.

[\*\*] Term: **14 Years**

[21] Appl. No.: **51,224**

[22] Filed: **Mar. 6, 1996**

[51] LOC (6) Cl. .... **18-02**

[52] U.S. Cl. .... **D18/54; D18/55**

[58] Field of Search ..... **D18/50, 54-55; 400/613, 613.1-613.4, 691-694, 690.1-690.4**

## [56] References Cited

### U.S. PATENT DOCUMENTS

D. 348,899	7/1994	Masujima et al. ....	D18/55
D. 349,922	8/1994	Oashiro .....	D18/50
D. 352,732	11/1994	Dubson et al. ....	D18/55
D. 363,506	10/1995	Inukai .....	D18/55
D. 367,882	3/1996	Parsey et al. ....	D18/55
D. 369,382	4/1996	Matsunaga et al. ....	D18/55
5,387,043	2/1995	Fujioka et al. ....	400/691

## OTHER PUBLICATIONS

Fujitsu Color Printer advertisement in DAMARK Catalog; Dec. 1992; rear corner of photograph.

Canon Bubble Jet Color Printer advertisement in Micro Center The Computer Department Store Catalog; p. 17.

*Primary Examiner*—Cathy Anne MacCormac  
*Attorney, Agent, or Firm*—Nancy R. Simon

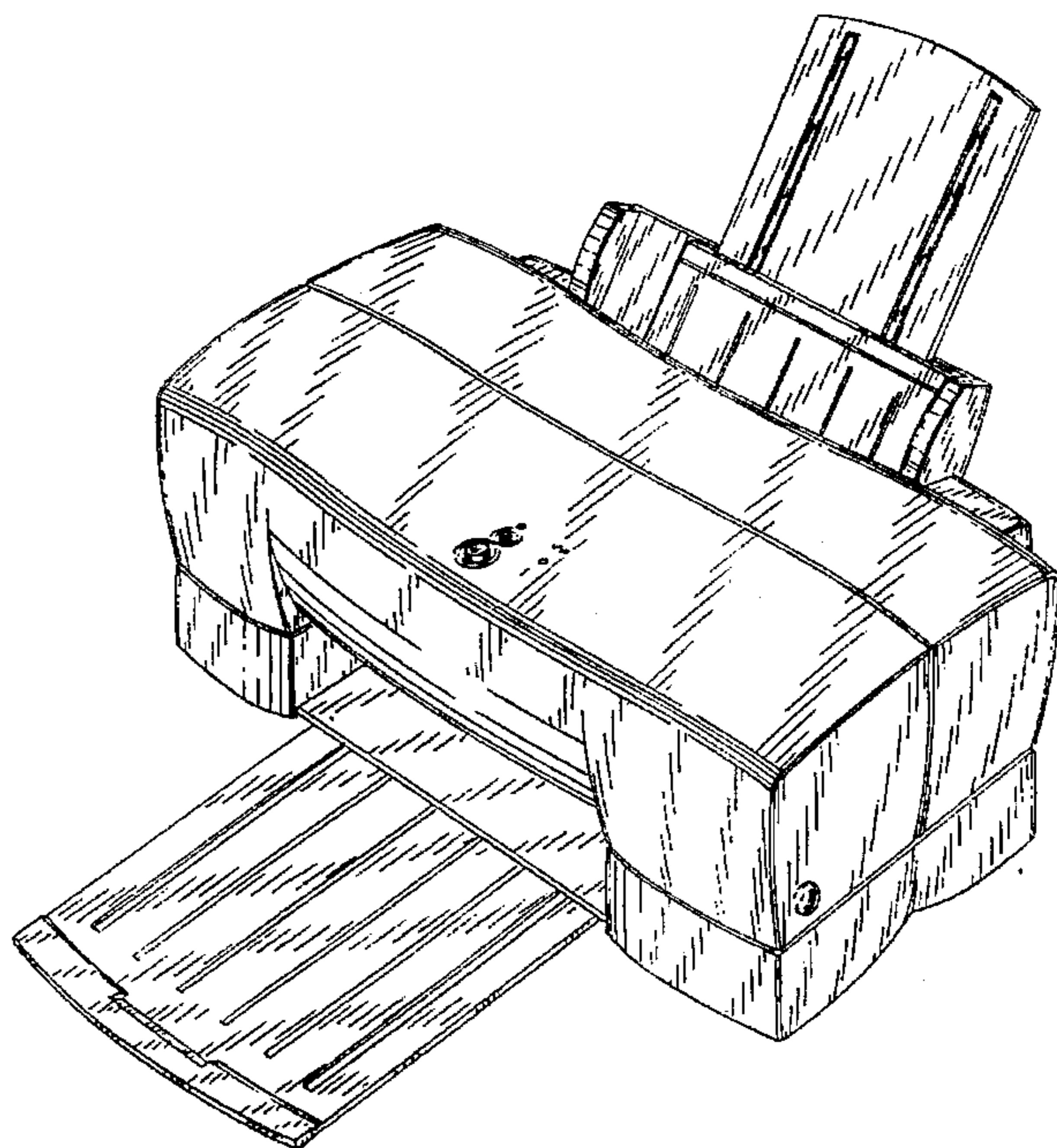
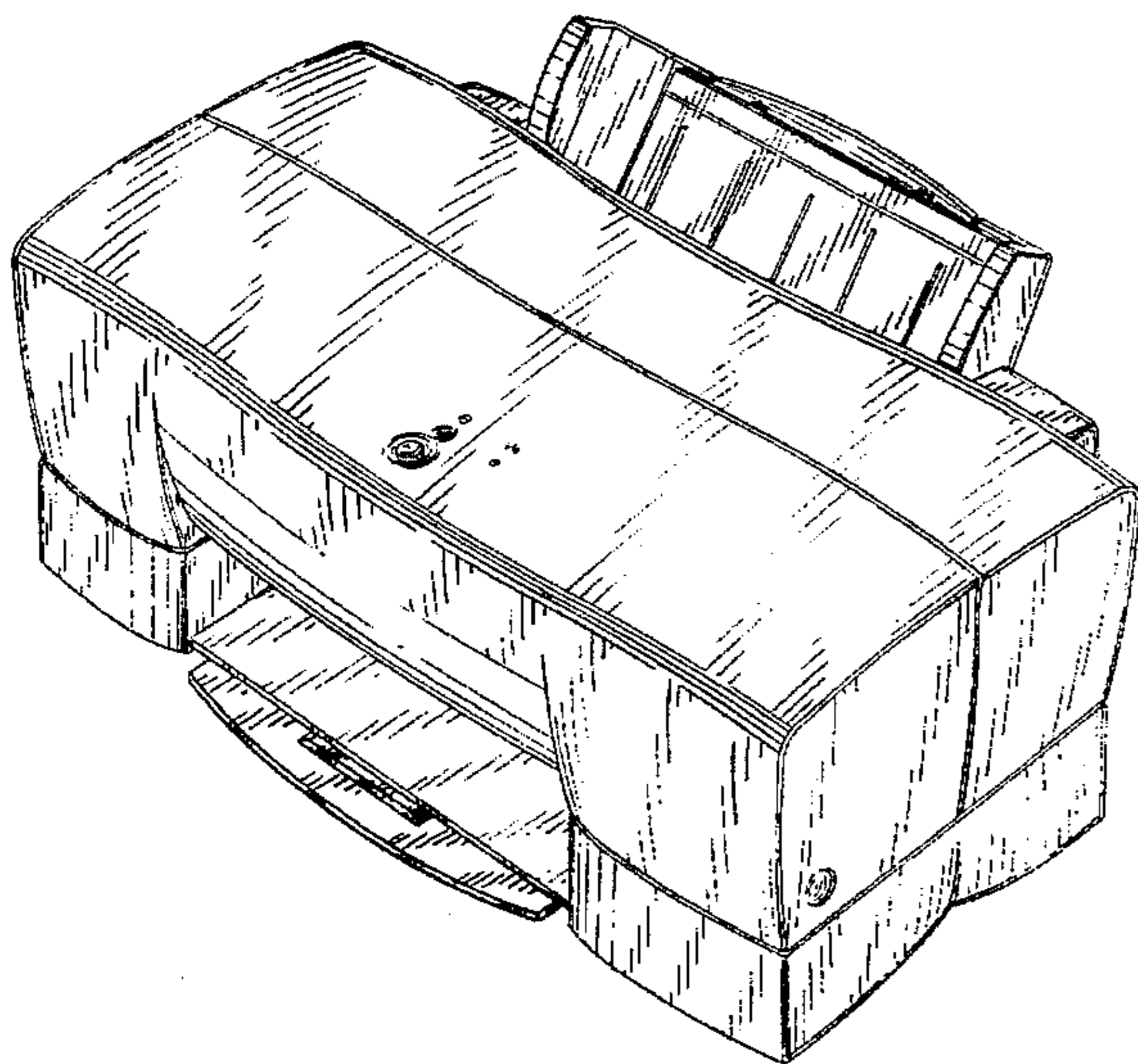
## [57] CLAIM

The ornamental design for a computer printer, as shown.

## DESCRIPTION

FIG. 1 is a top, right, front perspective view of a computer printer, showing my new design;  
FIG. 2 is a top view thereof;  
FIG. 3 is a bottom view thereof;  
FIG. 4 is a front view thereof;  
FIG. 5 is a back view thereof;  
FIG. 6 is a left view thereof;  
FIG. 7 is a right view thereof;  
FIG. 8 is a top, left, back perspective view thereof; and,  
FIG. 9 is a top, right, front perspective view thereof with an input tray and an output tray extended.

**1 Claim, 8 Drawing Sheets**



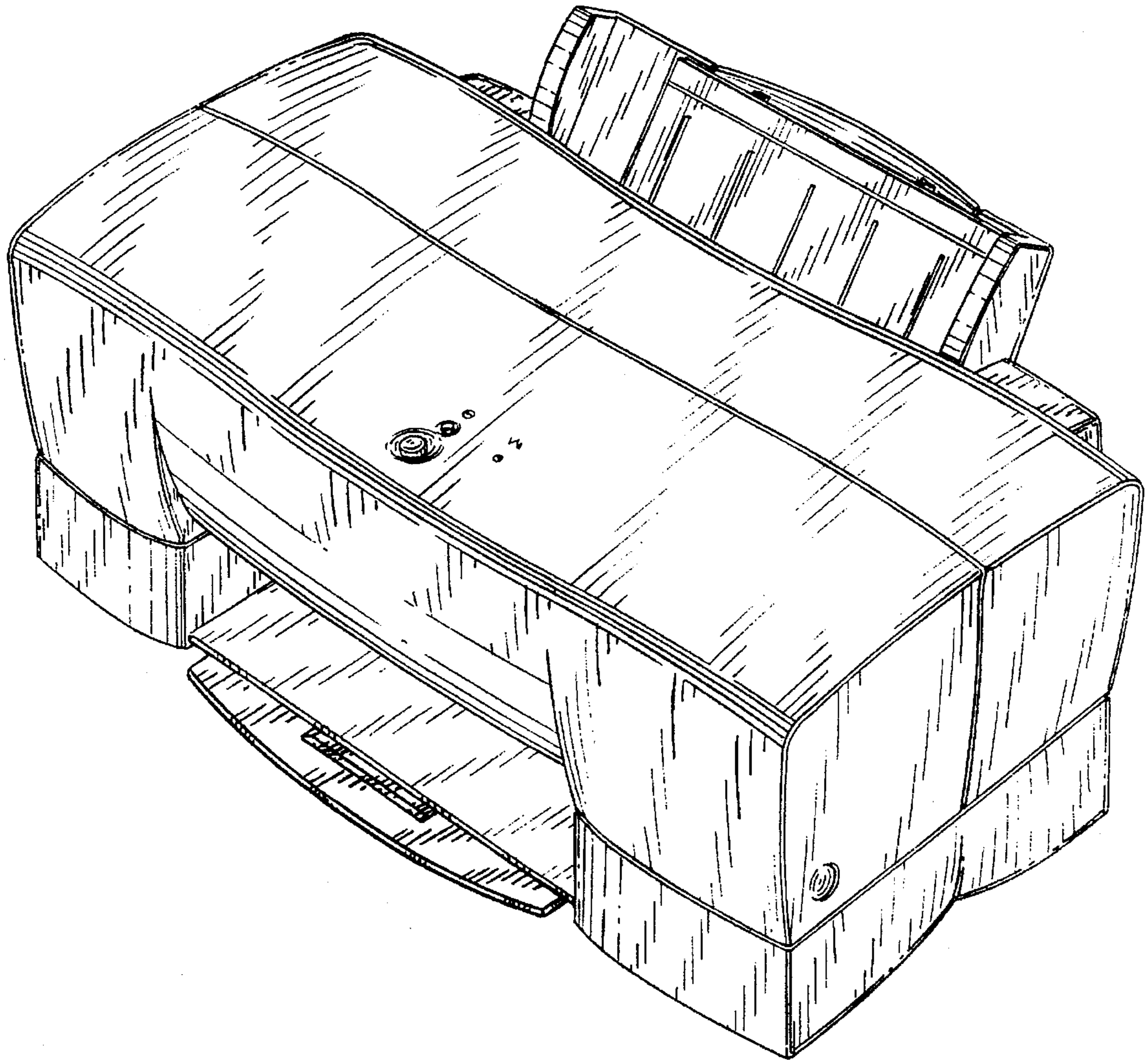


FIG. 1

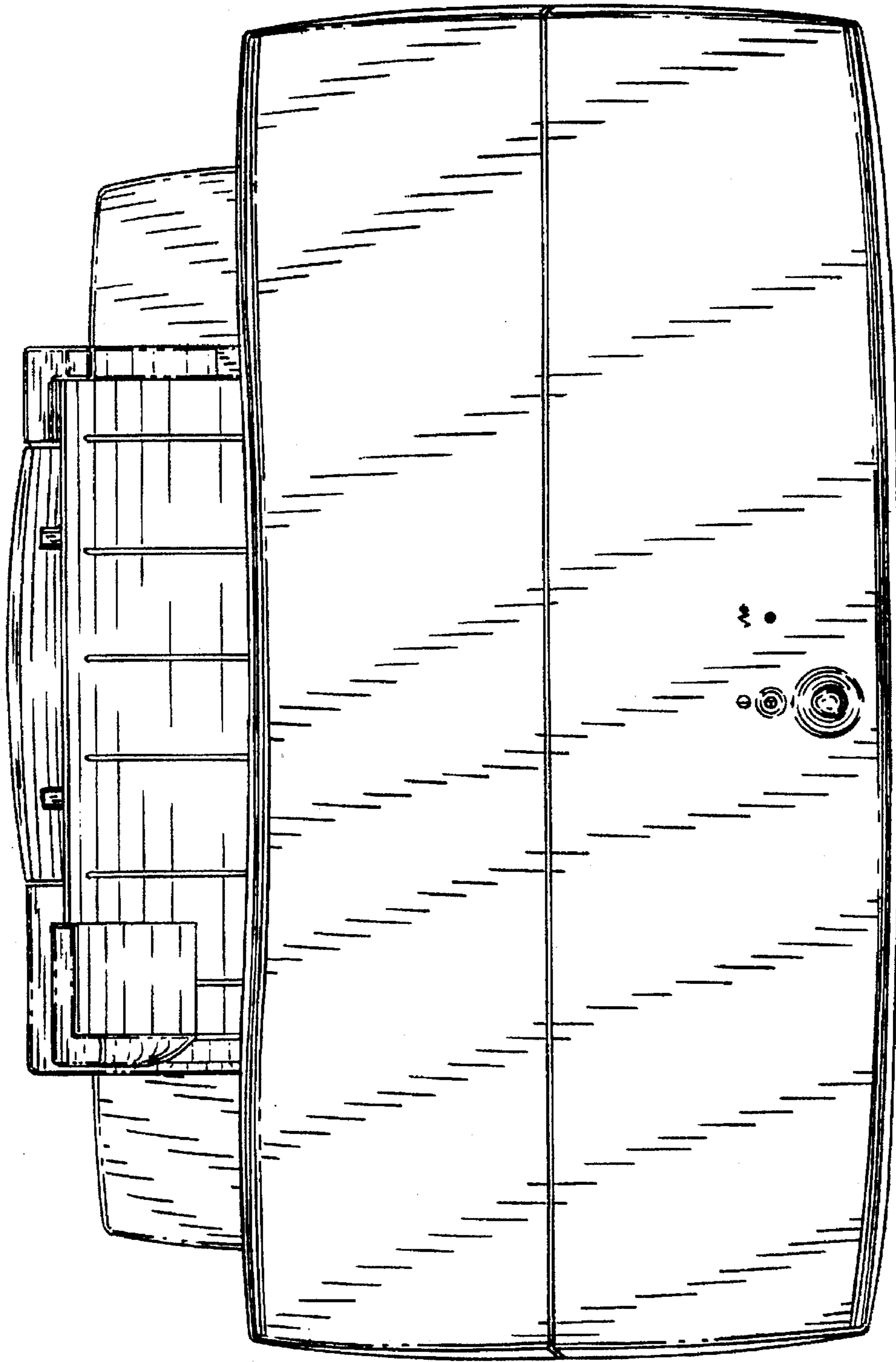


FIG. 2

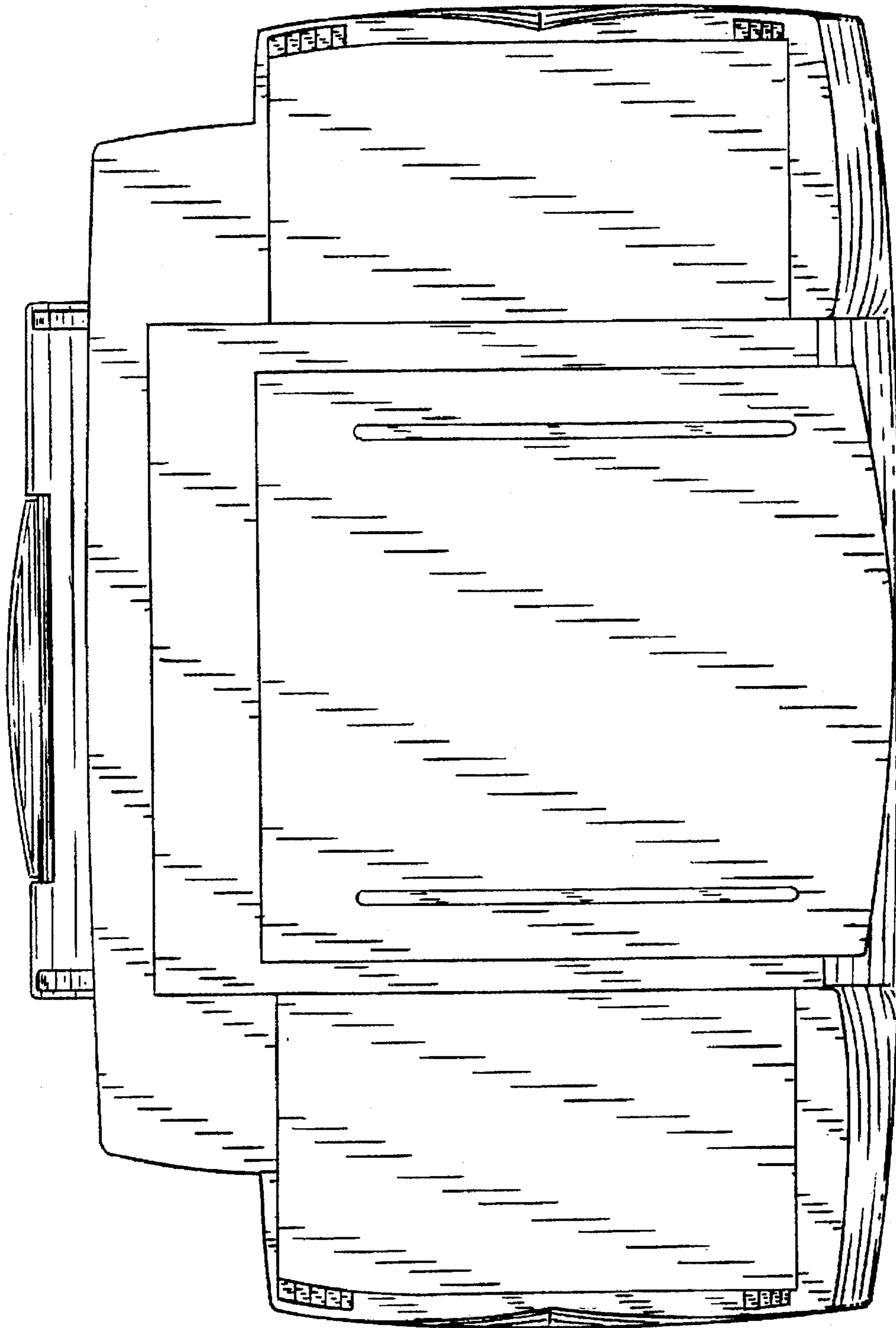


FIG. 3

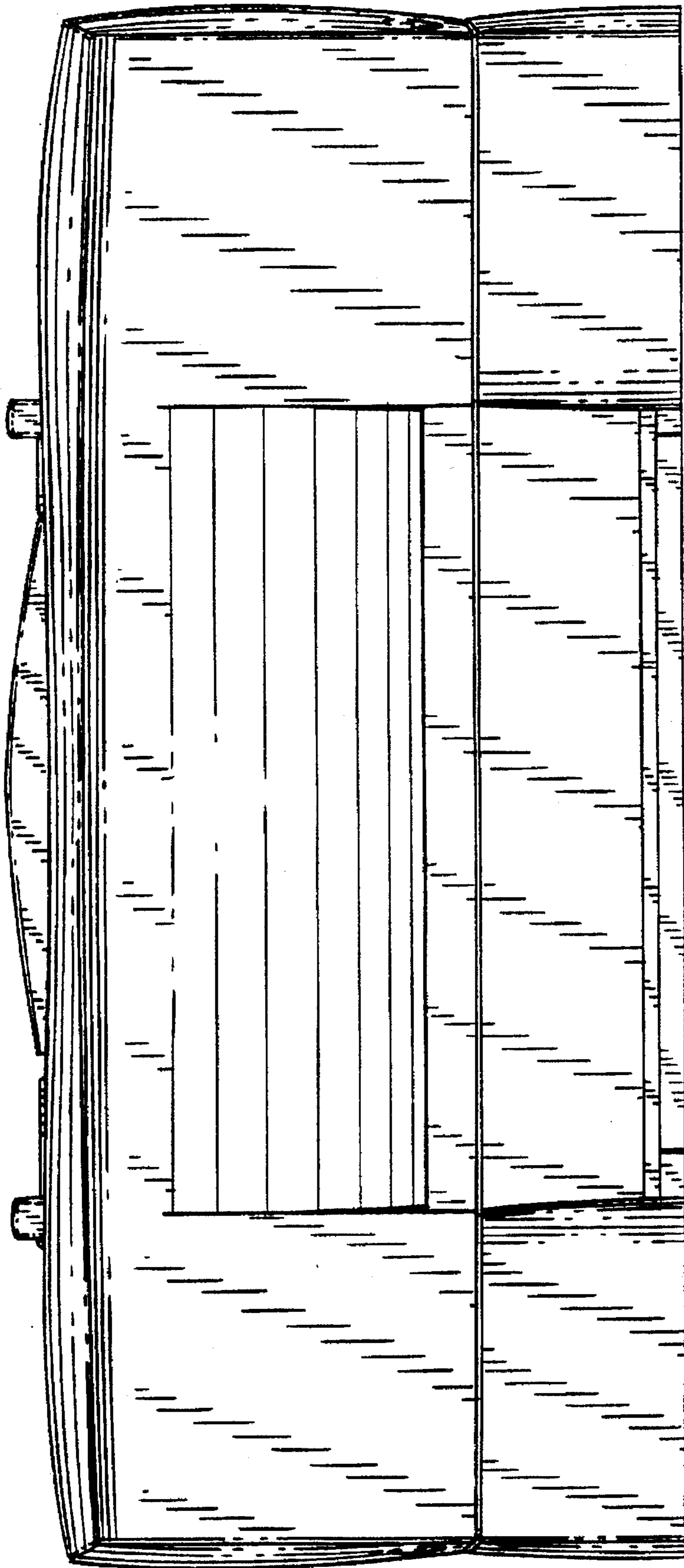


FIG. 4

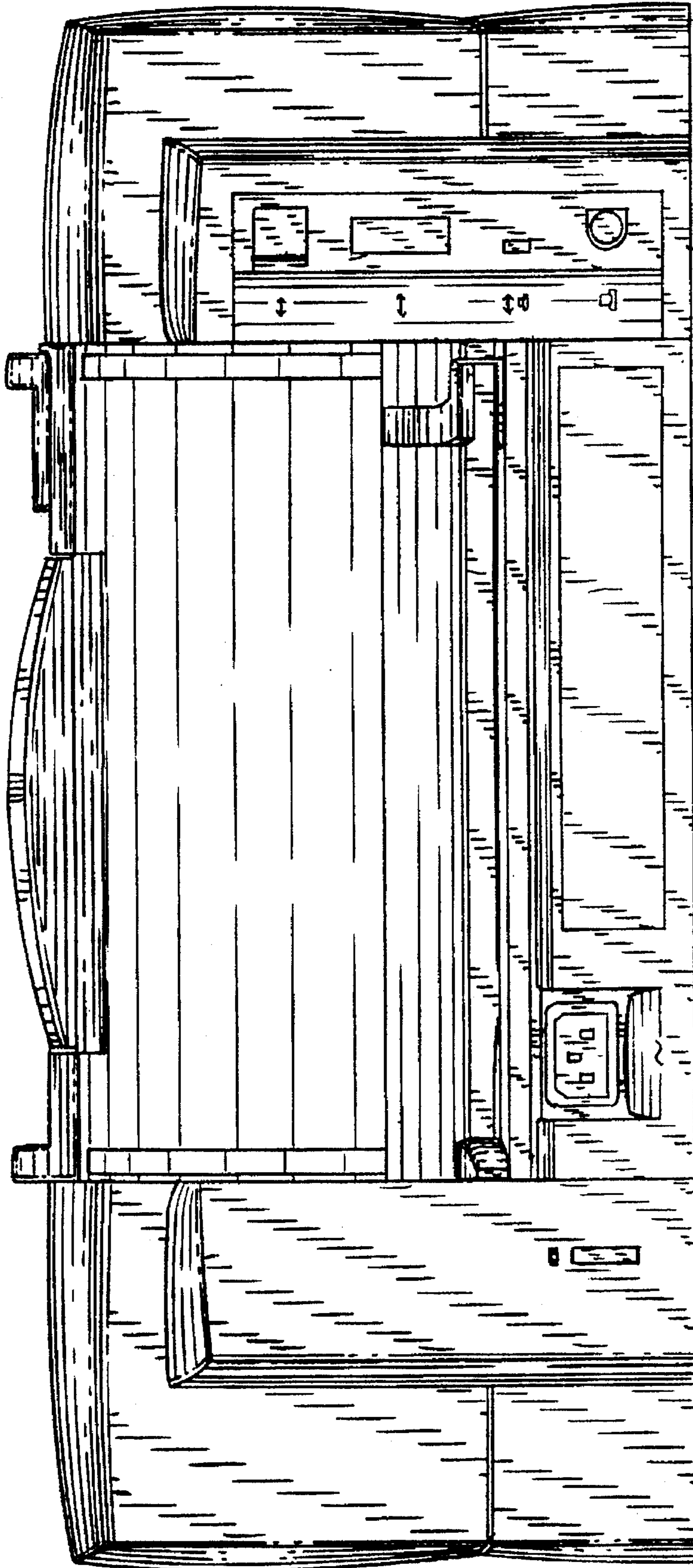


FIG. 5

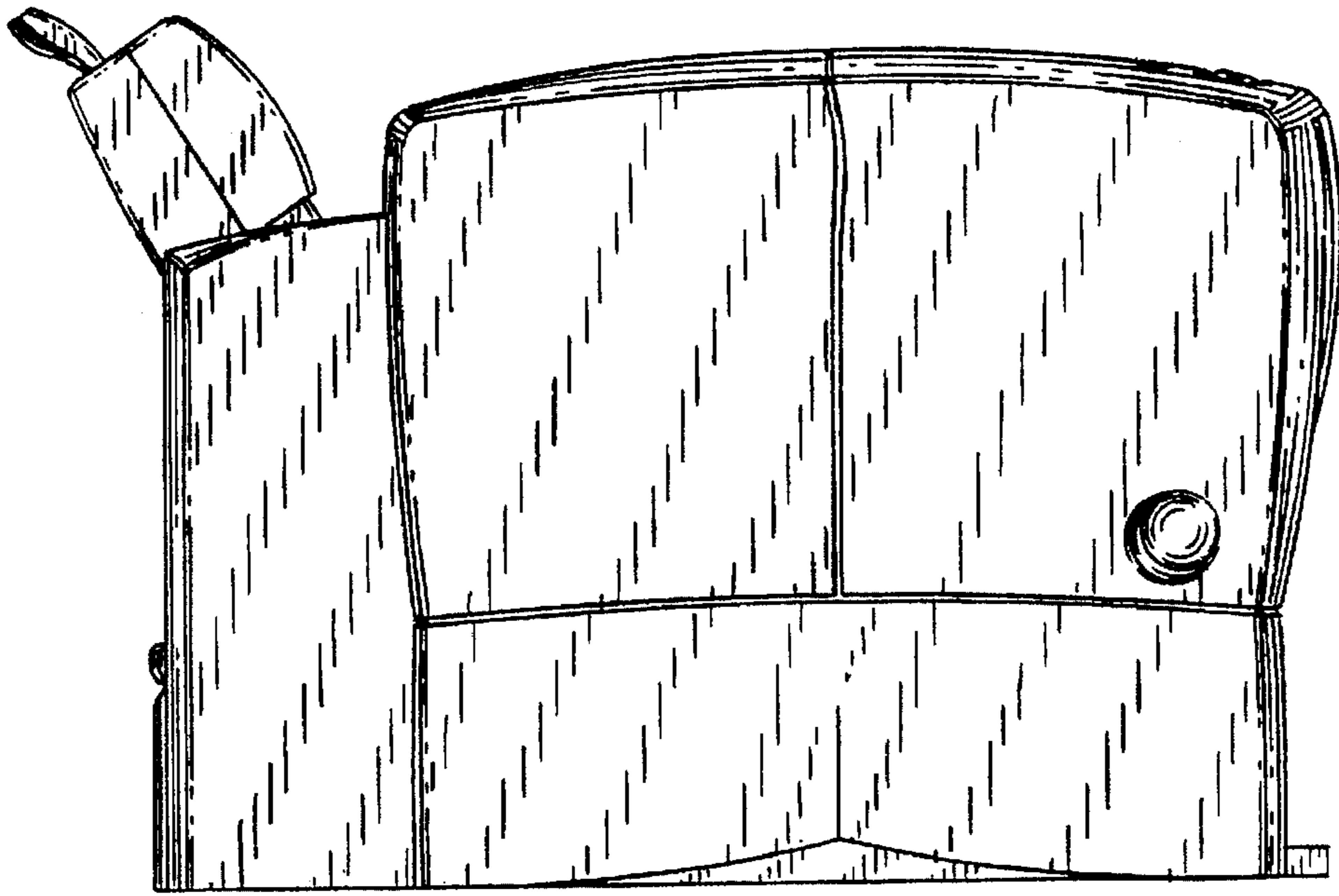


FIG. 6

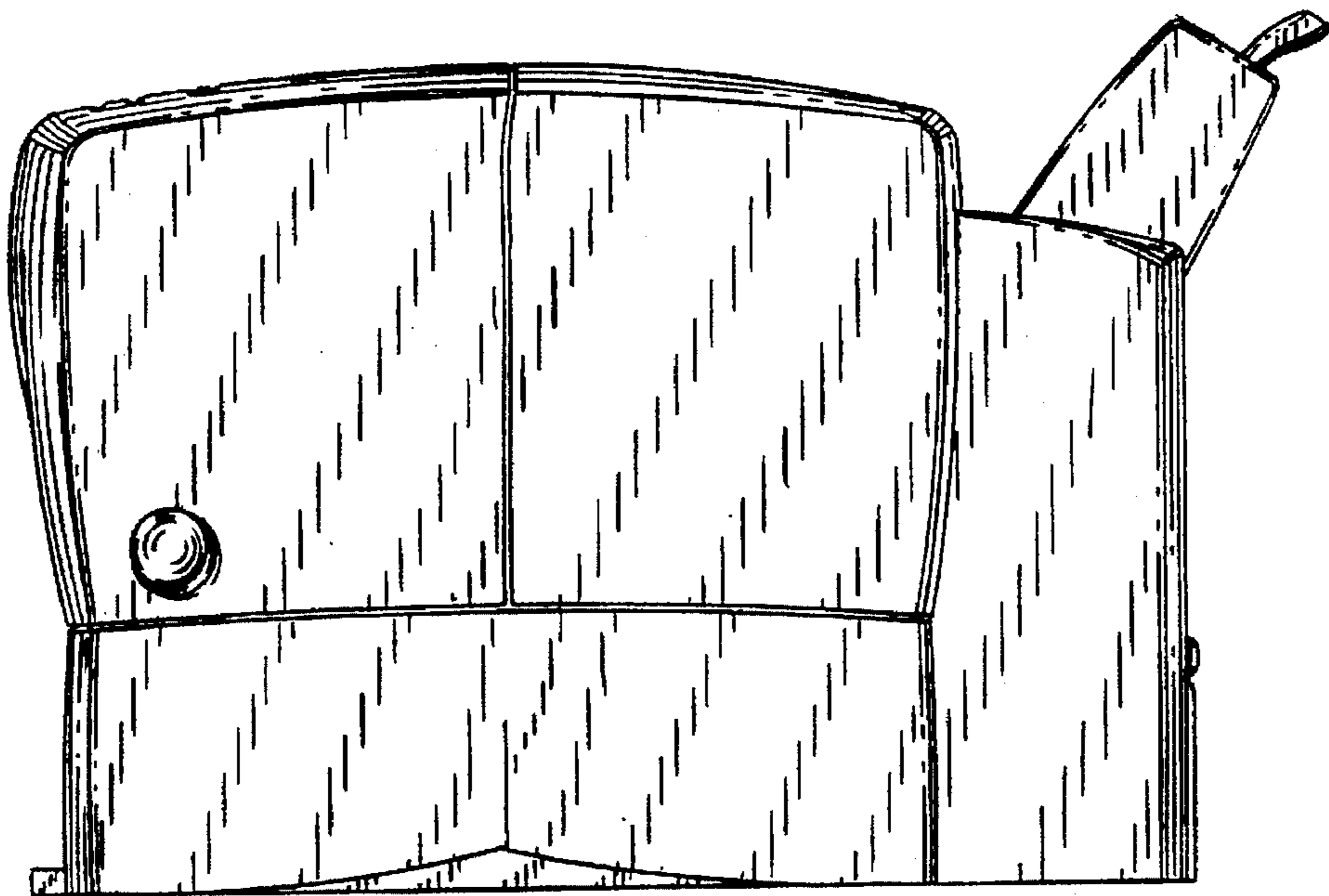


FIG. 7

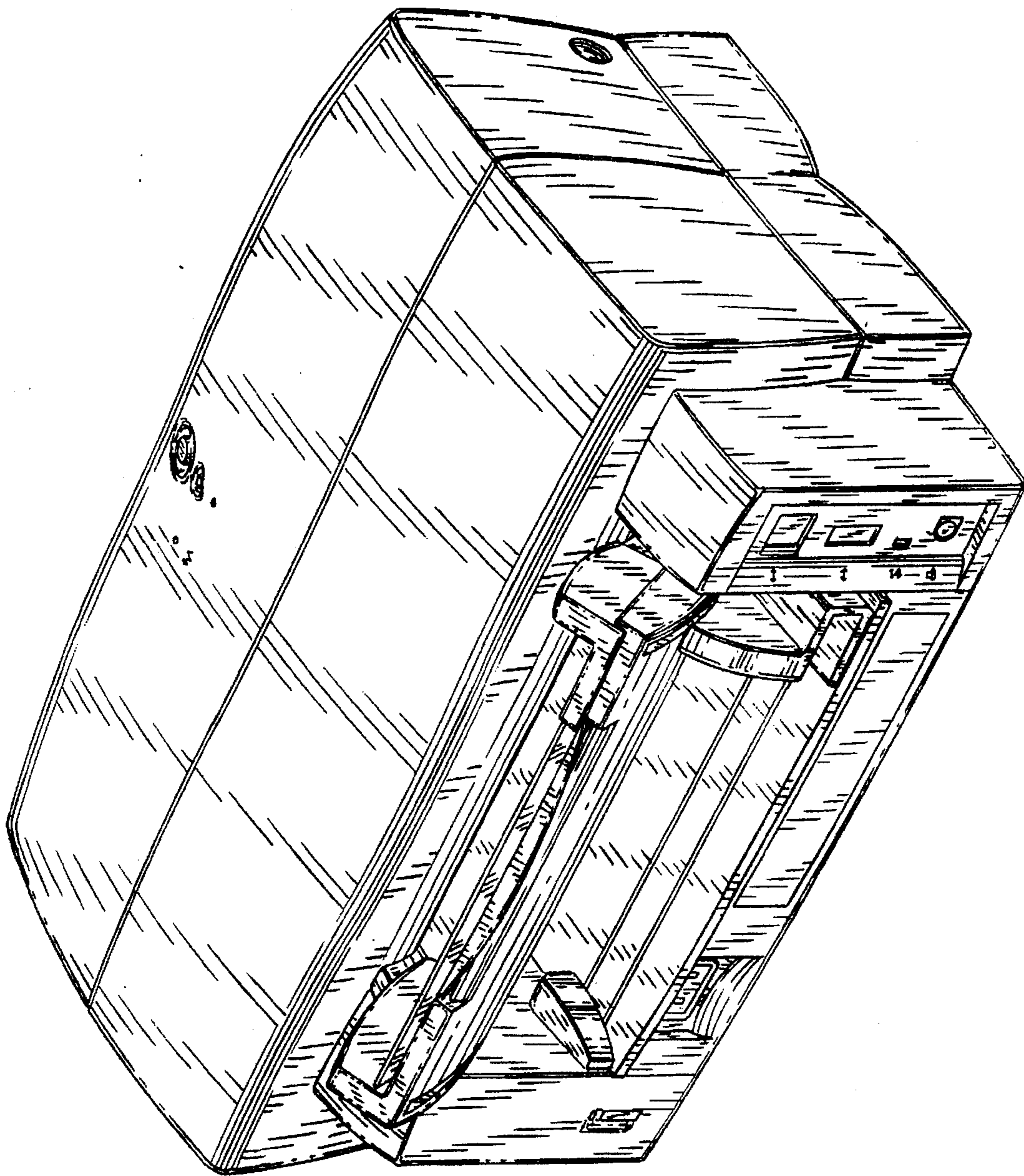


FIG. 8



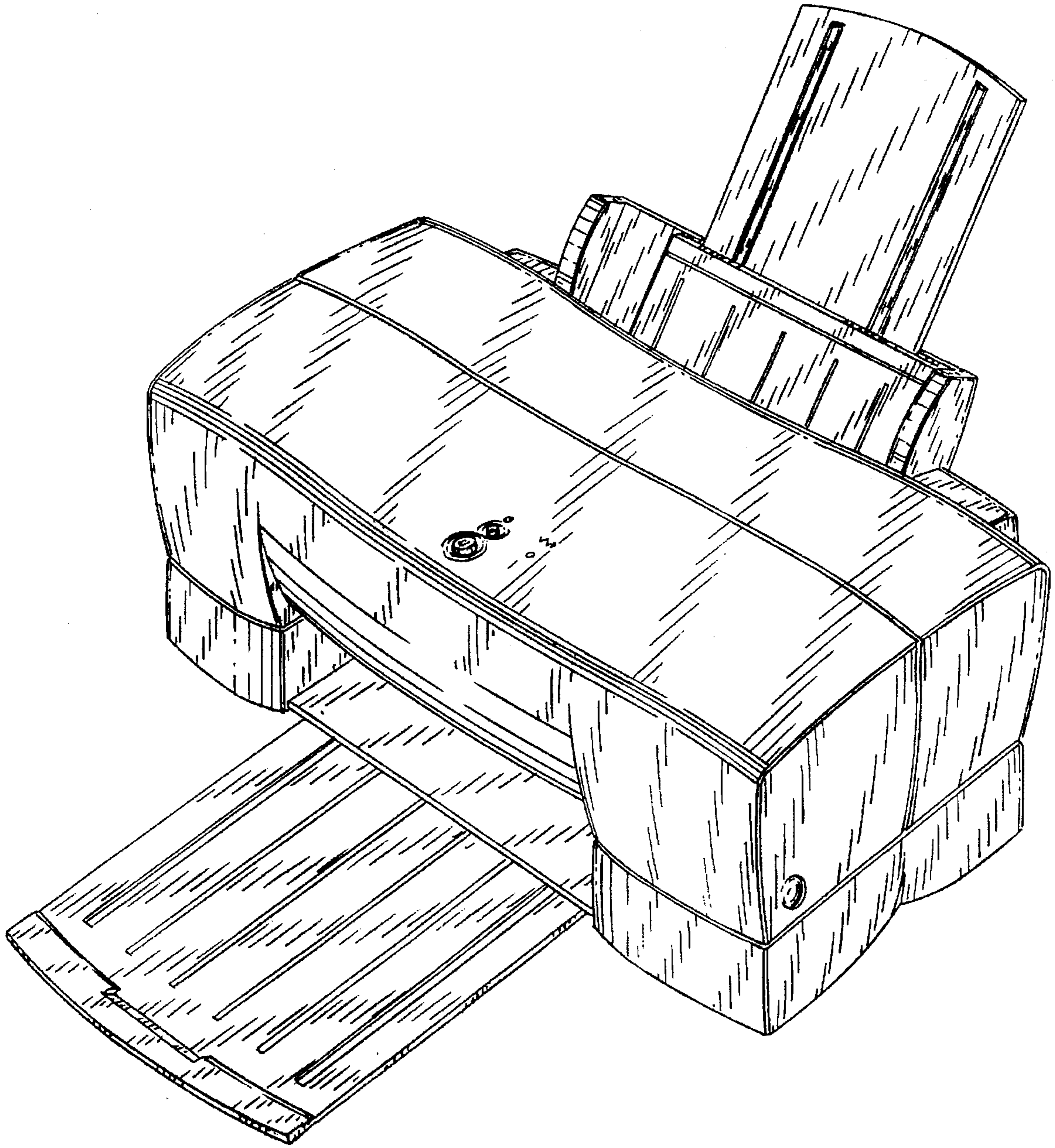


FIG. 9