



US00D379822S

# United States Patent [19] Kishi

[11] Patent Number: Des. 379,822

[45] Date of Patent: \*\*Jun. 10, 1997

[54] ATTACHMENT FOR A MOWING MACHINE

5,086,614 2/1992 Pestka ..... 56/11.8  
5,450,714 9/1995 Lurwig ..... 56/255

[75] Inventor: Mitsuhiro Kishi, Tokyo, Japan

### OTHER PUBLICATIONS

[73] Assignee: Japanic Corporation, Ashikaga, Japan

John Deere Riding Mowers, Nov. 1990 p. 4 Mower Deck.

[\*\*] Term: 14 Years

Primary Examiner—Sandra L. Morris  
Attorney, Agent, or Firm—Armstrong, Westerman, Hattori,  
McLeland & Naughton

[21] Appl. No.: 44,463

[22] Filed: Sep. 25, 1995

### [57] CLAIM

[51] LOC (6) Cl. .... 15-03

The ornamental design for an attachment for a mowing machine, as shown and described.

[52] U.S. Cl. .... D15/28; D15/28

[58] Field of Search ..... D15/10-12, 14-17,  
D15/27, 28; 56/6, 11.8, 13.3, 13.4, 15.8,  
16.7, 17.1, 17.4, 202, 255, 320.1, 320.2

### DESCRIPTION

### [56] References Cited

#### U.S. PATENT DOCUMENTS

D. 227,498	6/1973	McCanse	.....	D15/14
D. 345,168	3/1994	Cook et al.	.....	D15/17
4,707,971	11/1987	Forpahl et al.	.....	56/6
4,887,420	12/1989	Cerny, Jr. et al.	.....	56/320.1
4,912,915	4/1990	Smit	.....	56/6
5,005,344	4/1991	McCracken	.....	56/16.7

FIG. 1 is a front elevational view of an attachment for a mowing machine, showing our new design;  
FIG. 2 is a top plan view thereof;  
FIG. 3 is a bottom in view thereof;  
FIG. 4 is a rear elevational view thereof;  
FIG. 5 is a right side elevational view thereof;  
FIG. 6 is a left side elevational view thereof; and,  
FIG. 7 is an exploded sectional view, taken along lines B—B, in FIG. 1.

1 Claim, 3 Drawing Sheets

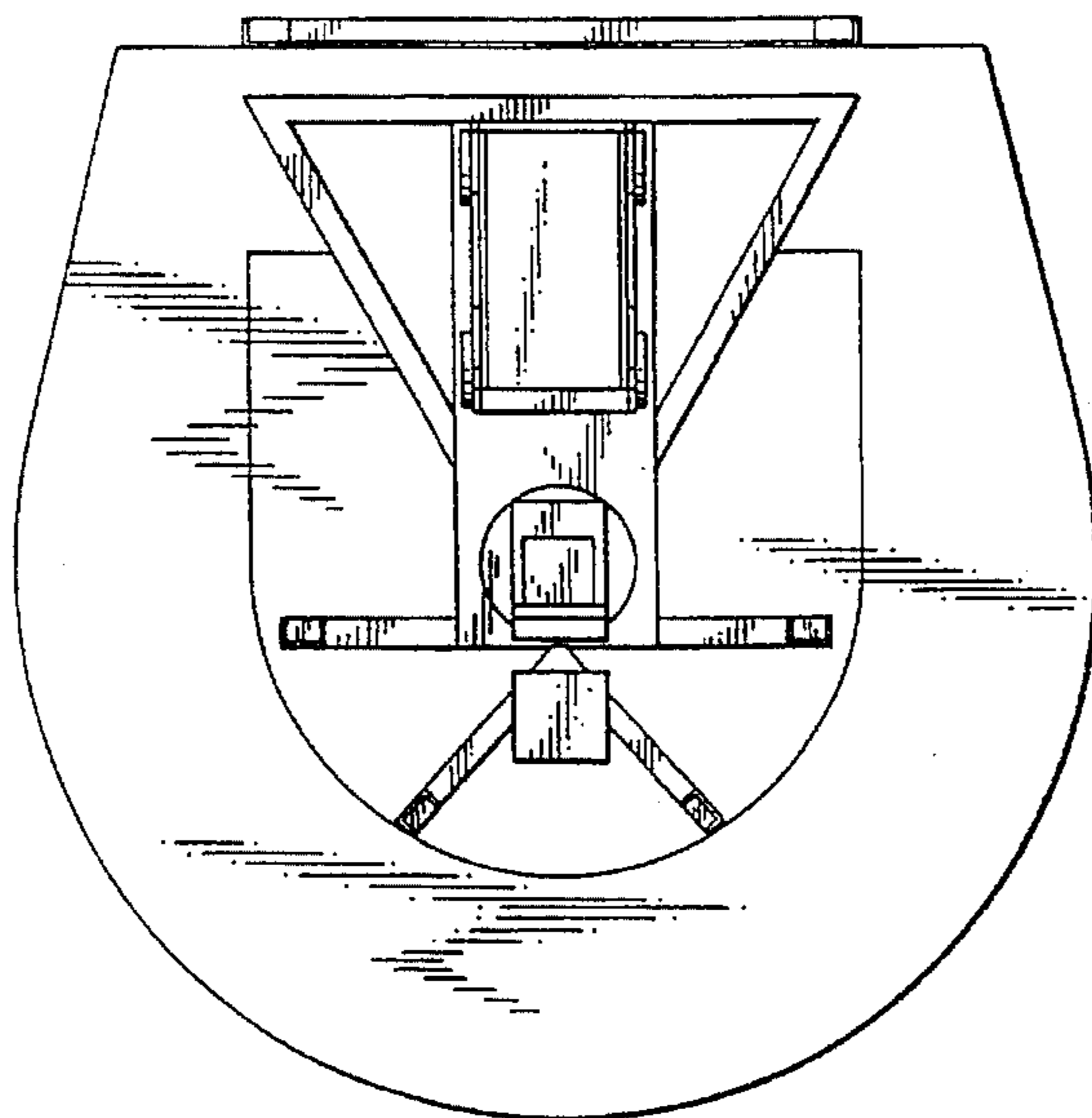
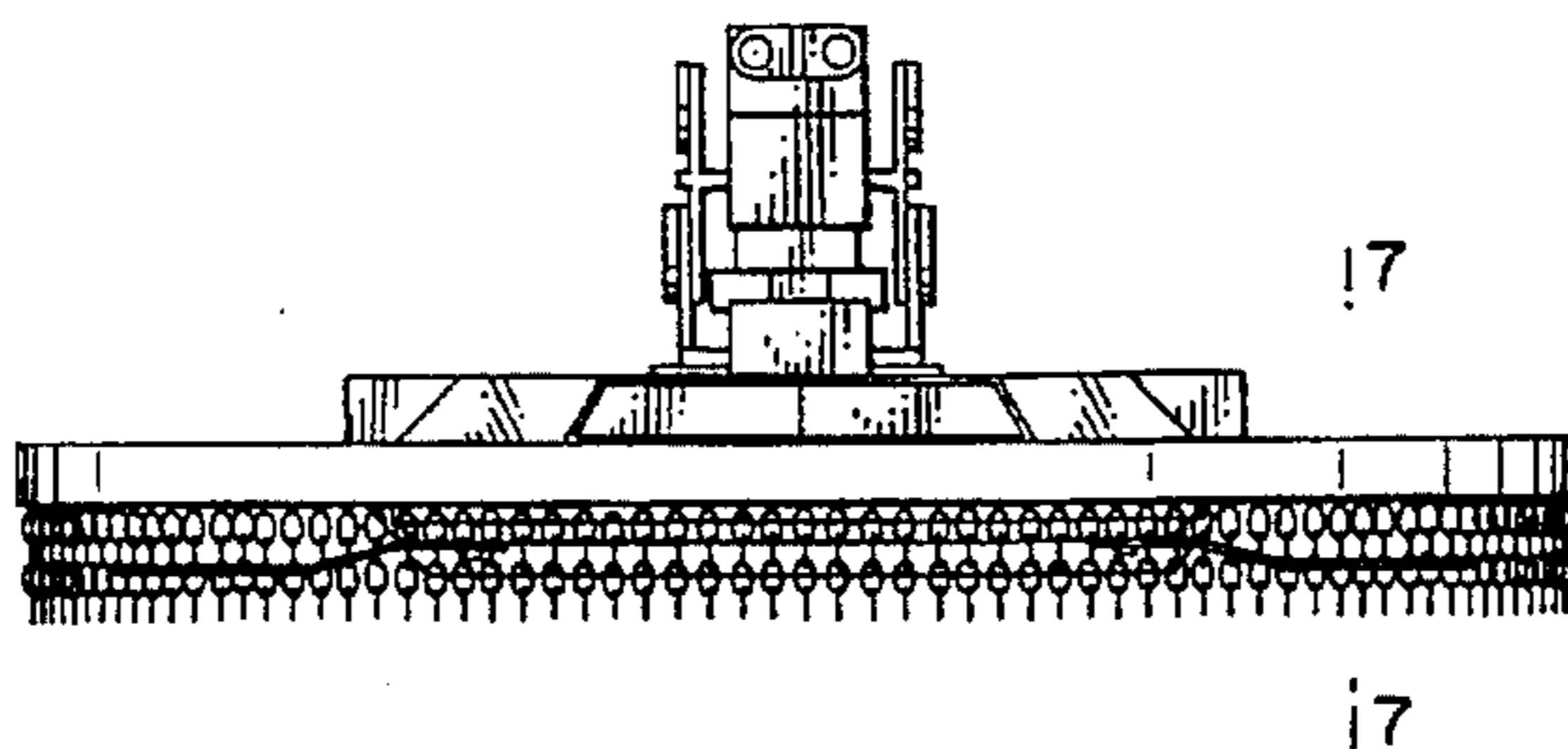


FIG. 1

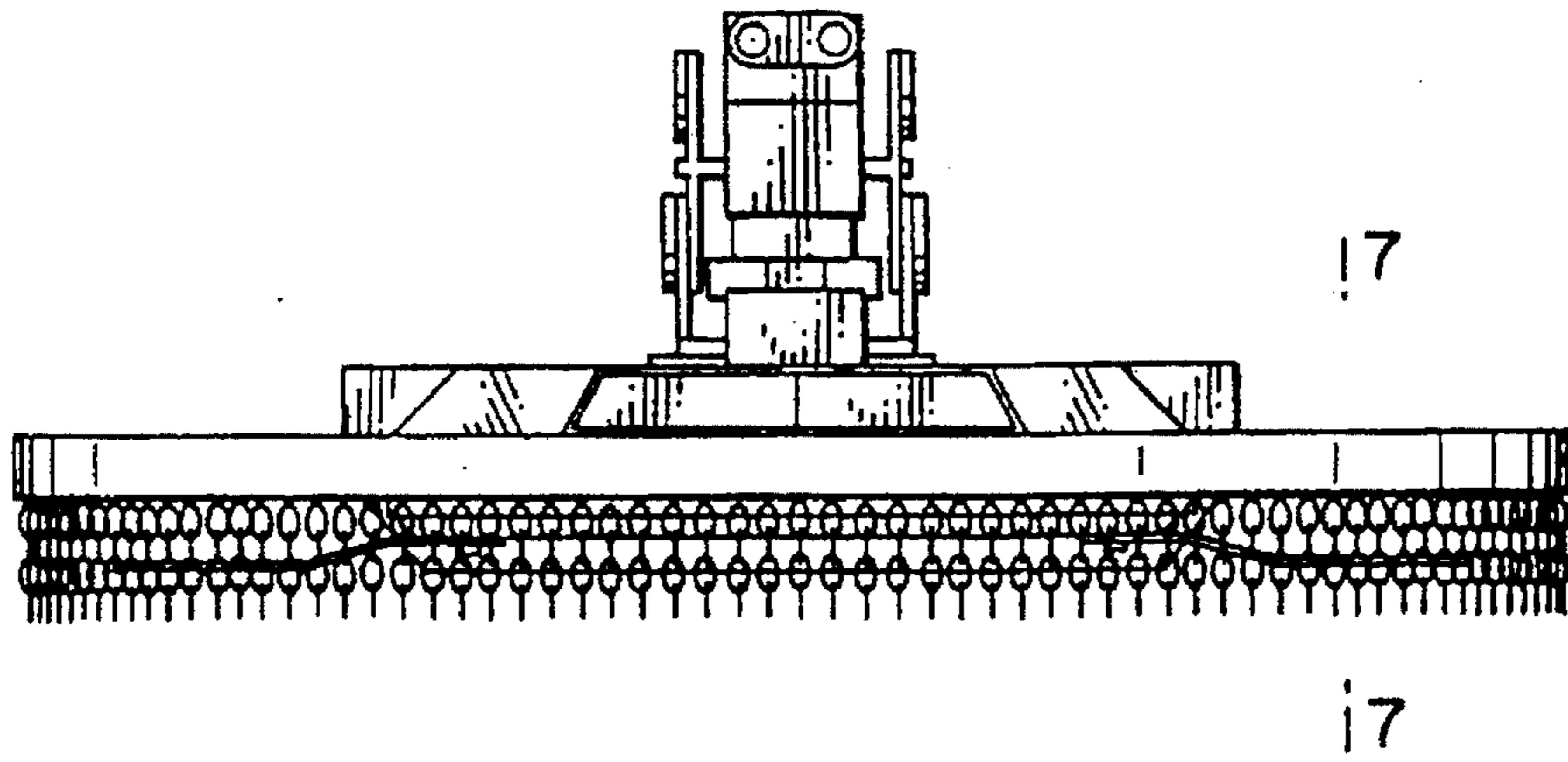


FIG. 2

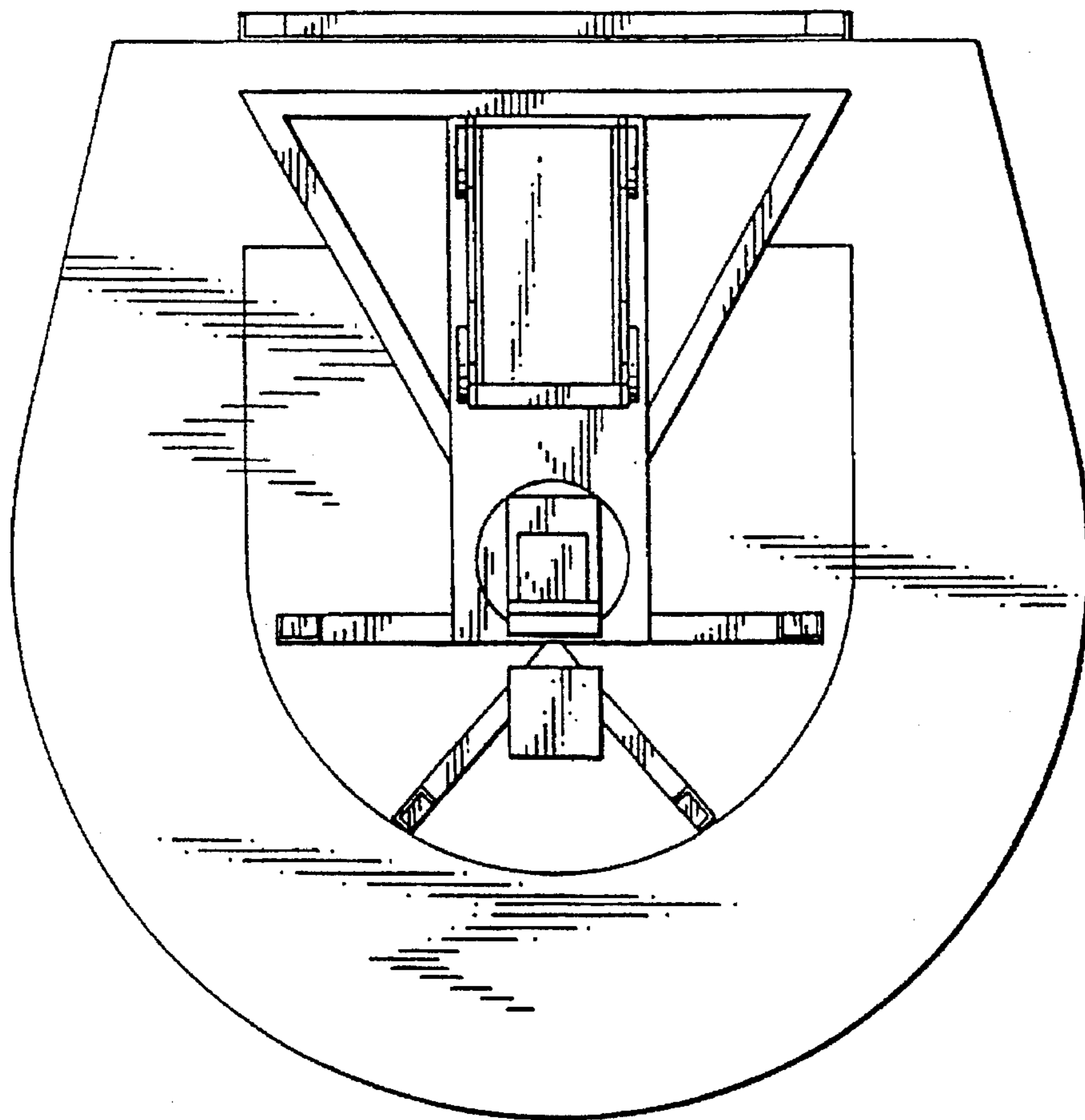


FIG. 3

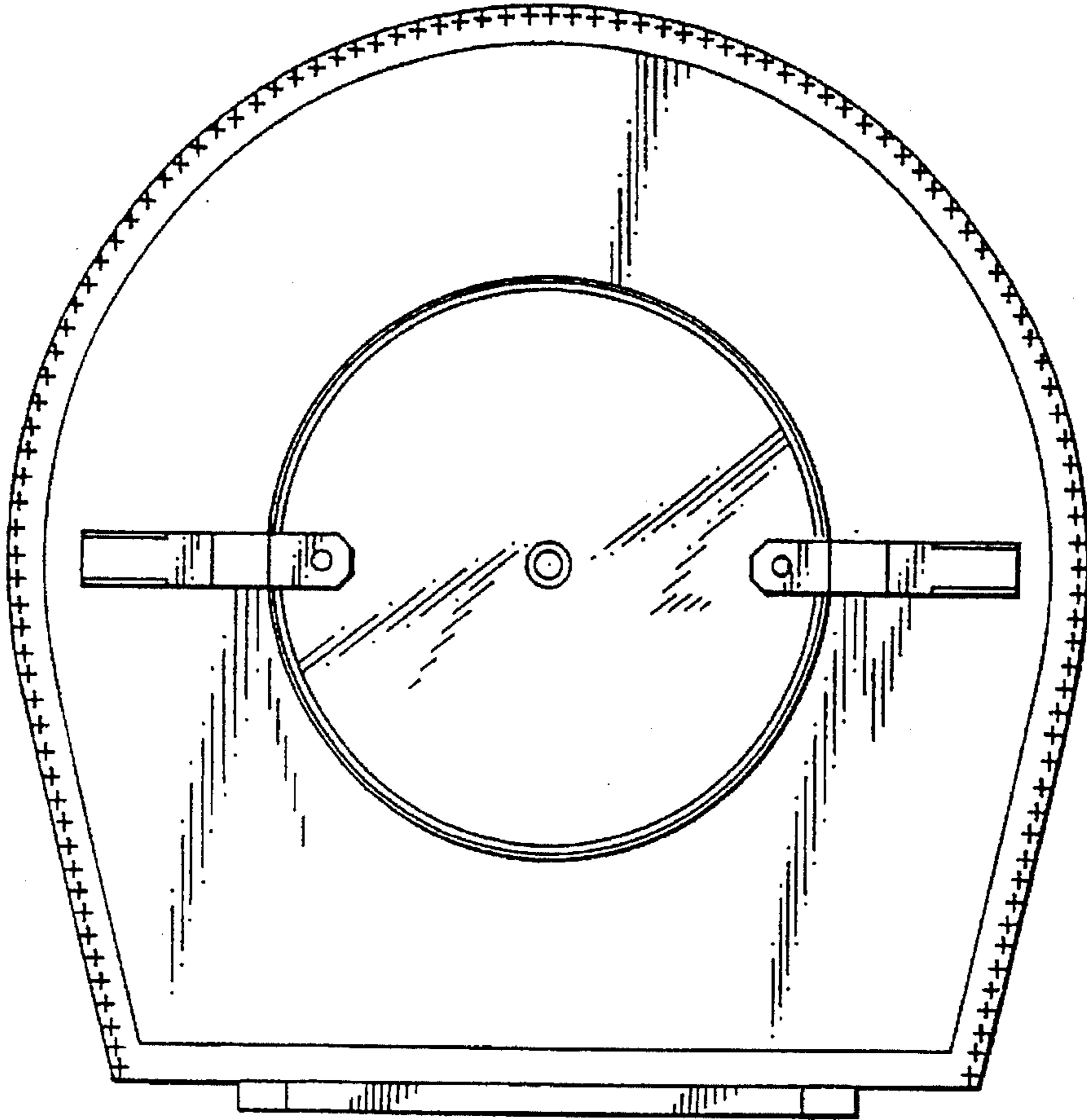


FIG. 4

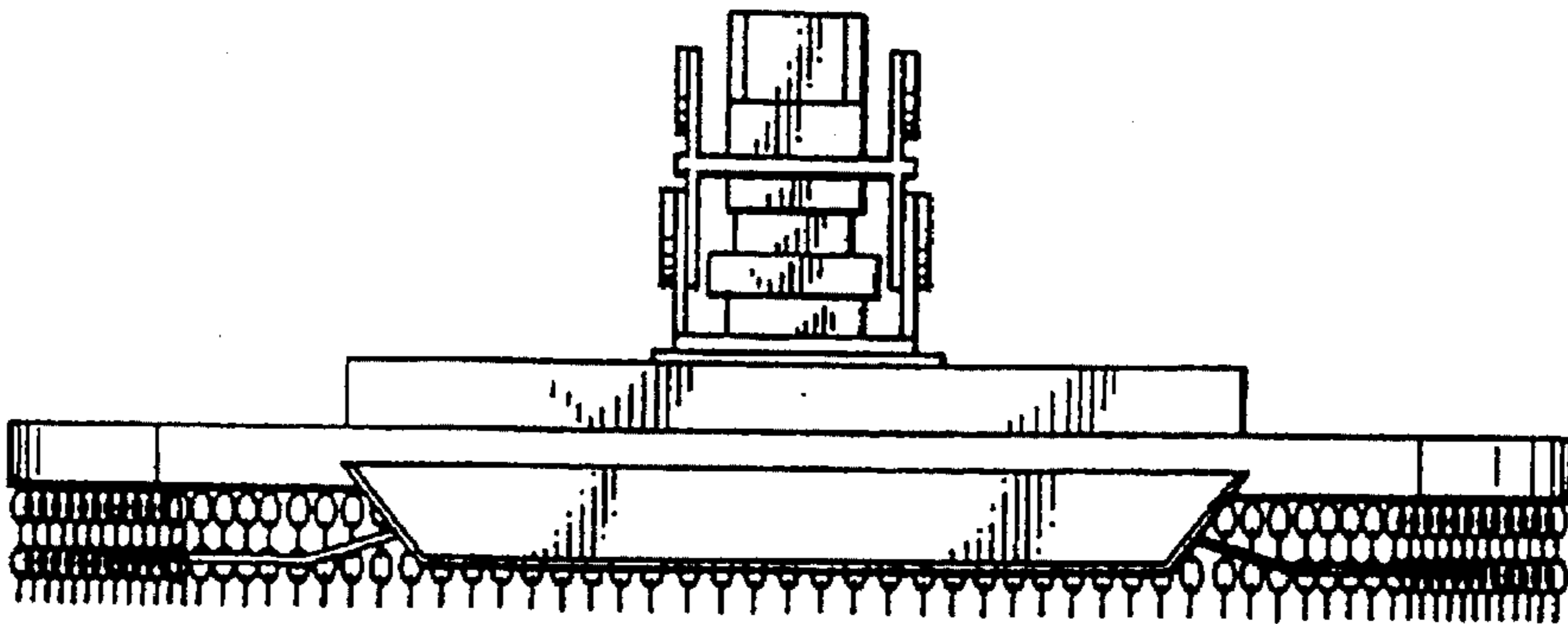


FIG. 5

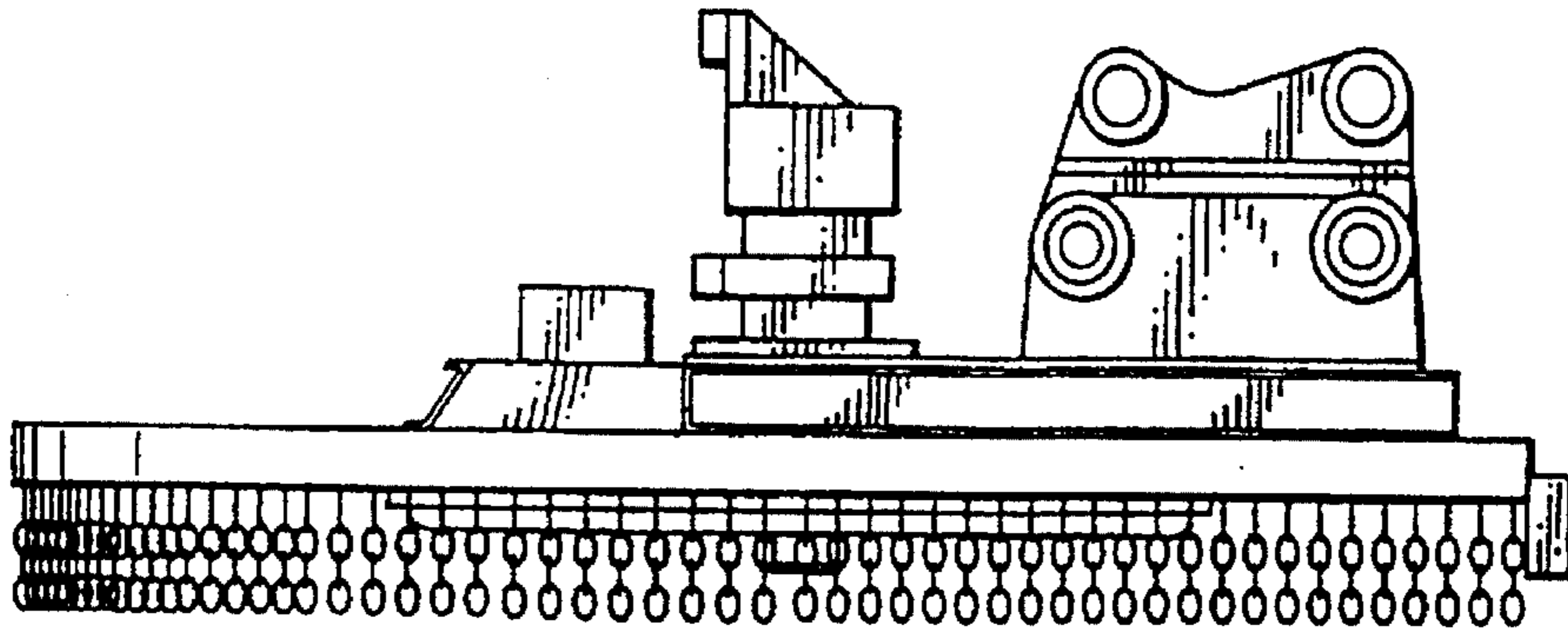


FIG. 6

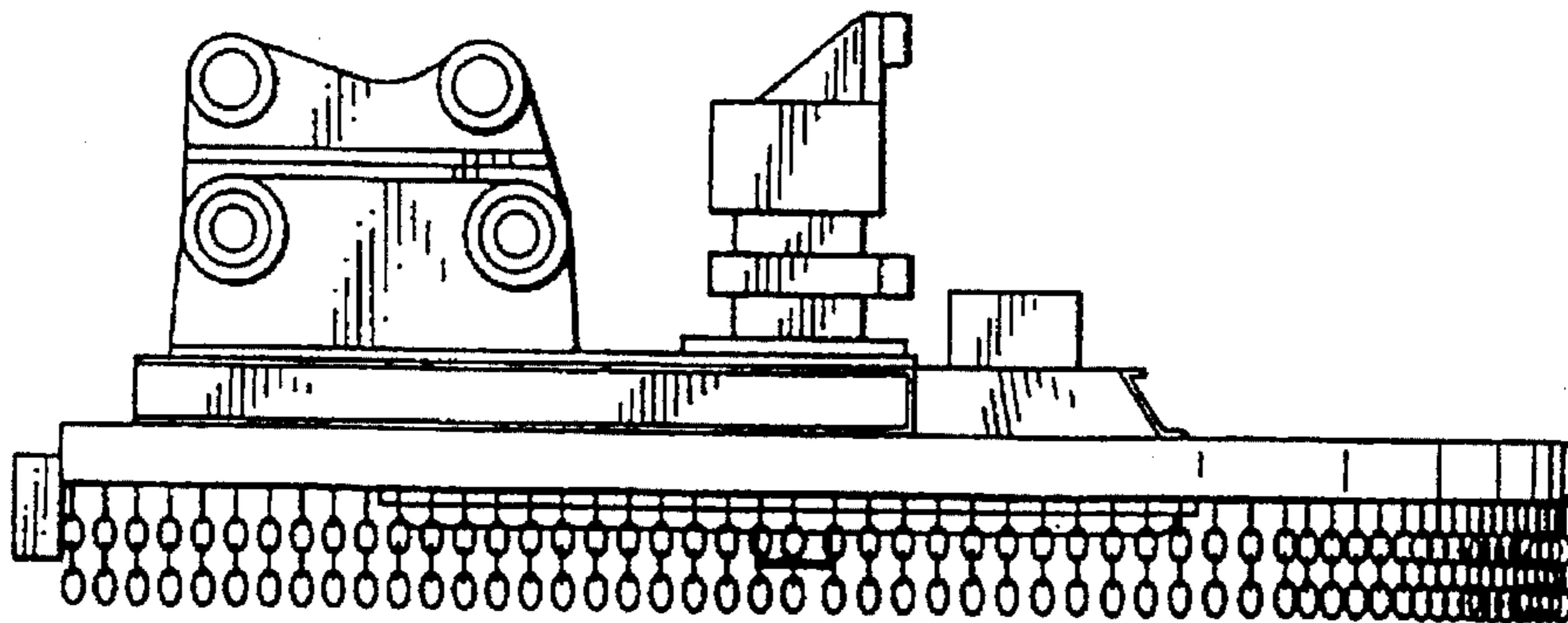


FIG. 7

