



US00D379820S

United States Patent [19]

[11] Patent Number: **Des. 379,820**

Few

[45] Date of Patent: ****Jun. 10, 1997**

[54] **COMPACT TRANSMISSION FLUID CHANGER**

| | | | |
|-----------|---------|------------------|-------------|
| 4,331,185 | 5/1982 | Rinaldo et al. . | |
| 4,508,195 | 4/1985 | Millet | 184/105.1 X |
| 4,745,989 | 5/1988 | DiMatteo . | |
| 4,810,169 | 3/1989 | Kranzle | 417/234 X |
| 5,056,621 | 10/1991 | Trevino . | |

[75] Inventor: **Jeffrey P. Few, Elkhart, Ind.**

[73] Assignee: **Flo-Dynamics, Inc., Compton, Calif.**

[**] Term: **14 Years**

Primary Examiner—Louis S. Zarfaz
Assistant Examiner—Frank Martinez
Attorney, Agent, or Firm—Fulwider Patton Lee & Utecht, LLP

[21] Appl. No.: **41,226**

[22] Filed: **Jul. 10, 1995**

[57] CLAIM

[51] LOC (6) Cl. **15-01**

The ornamental design for a compact transmission fluid changer, as shown and described.

[52] U.S. Cl. **D15/5**

[58] Field of Search D15/5, 7, 9, 9.1, D15/150; 184/27.3, 109, 105.1, 83, 81, 67; 417/436, 557, 234; D23/200, 221, 223, 224

DESCRIPTION

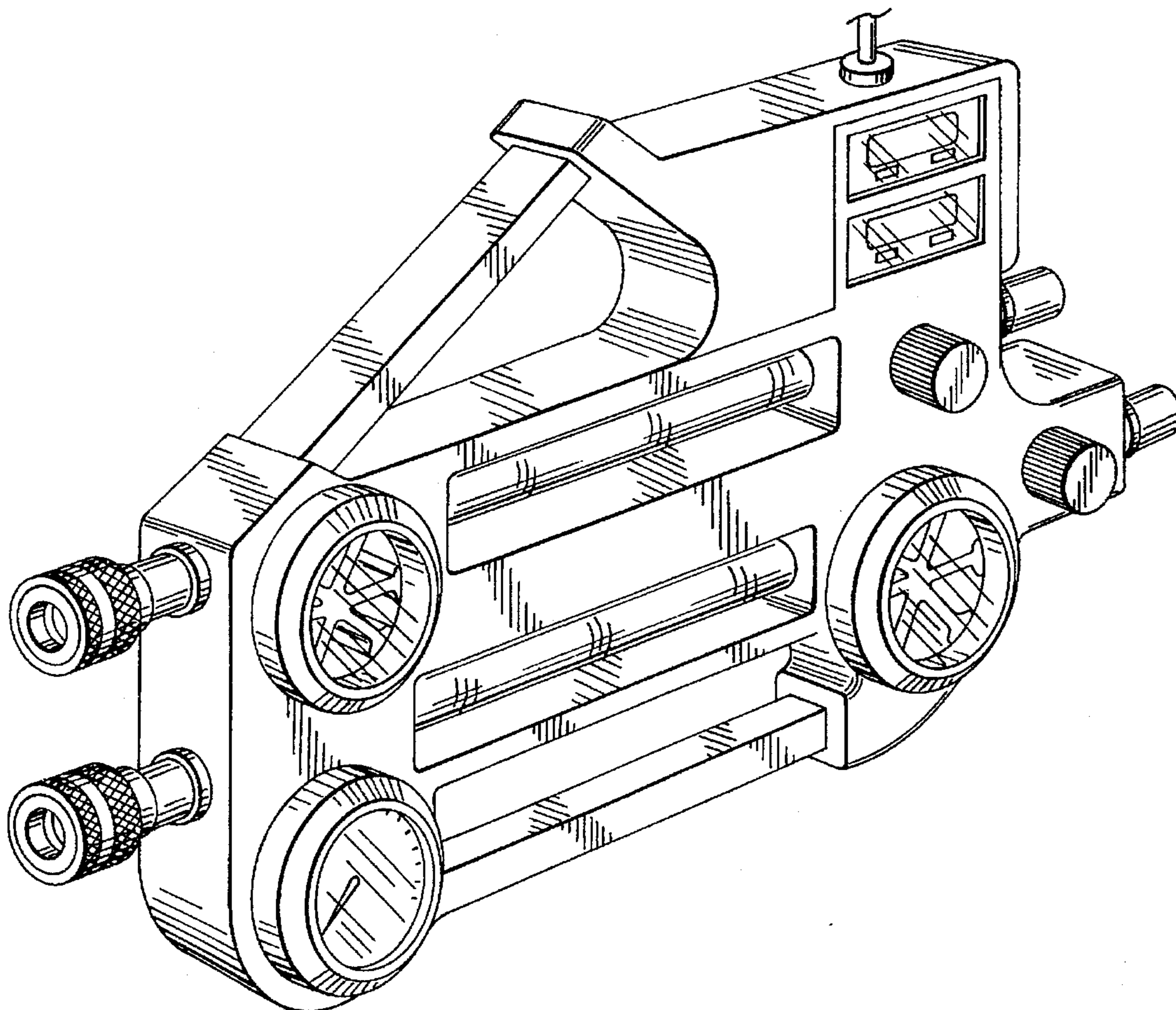
FIG. 1 is a perspective view of a compact transmission fluid changer showing my new design;
FIG. 2 is a top view thereof;
FIG. 3 is a bottom view thereof;
FIG. 4 is a back view thereof;
FIG. 5 is a front view thereof;
FIG. 6 is a left hand end view thereof; and,
FIG. 7 is a right hand end view thereof.

[56] References Cited

U.S. PATENT DOCUMENTS

| | | | |
|------------|--------|----------------|-----------|
| D. 248,396 | 7/1978 | Sendak | D15/7 |
| D. 260,652 | 9/1981 | Kirkland | D15/199 |
| D. 299,483 | 1/1989 | Hansen | D23/200 X |
| D. 317,163 | 5/1991 | Kaneko | D15/5 |
| D. 358,448 | 5/1995 | Paoli | D23/200 |

1 Claim, 3 Drawing Sheets



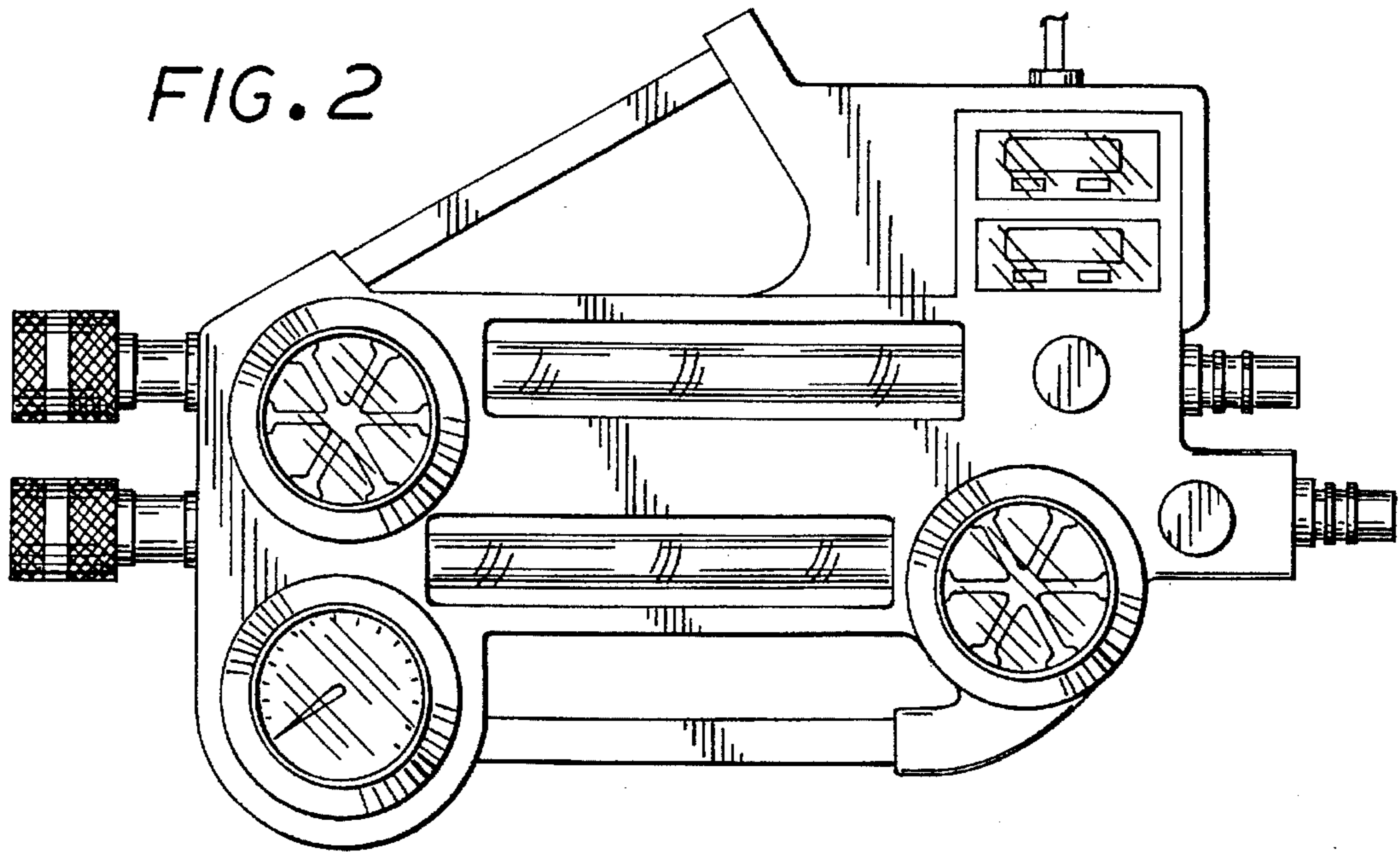
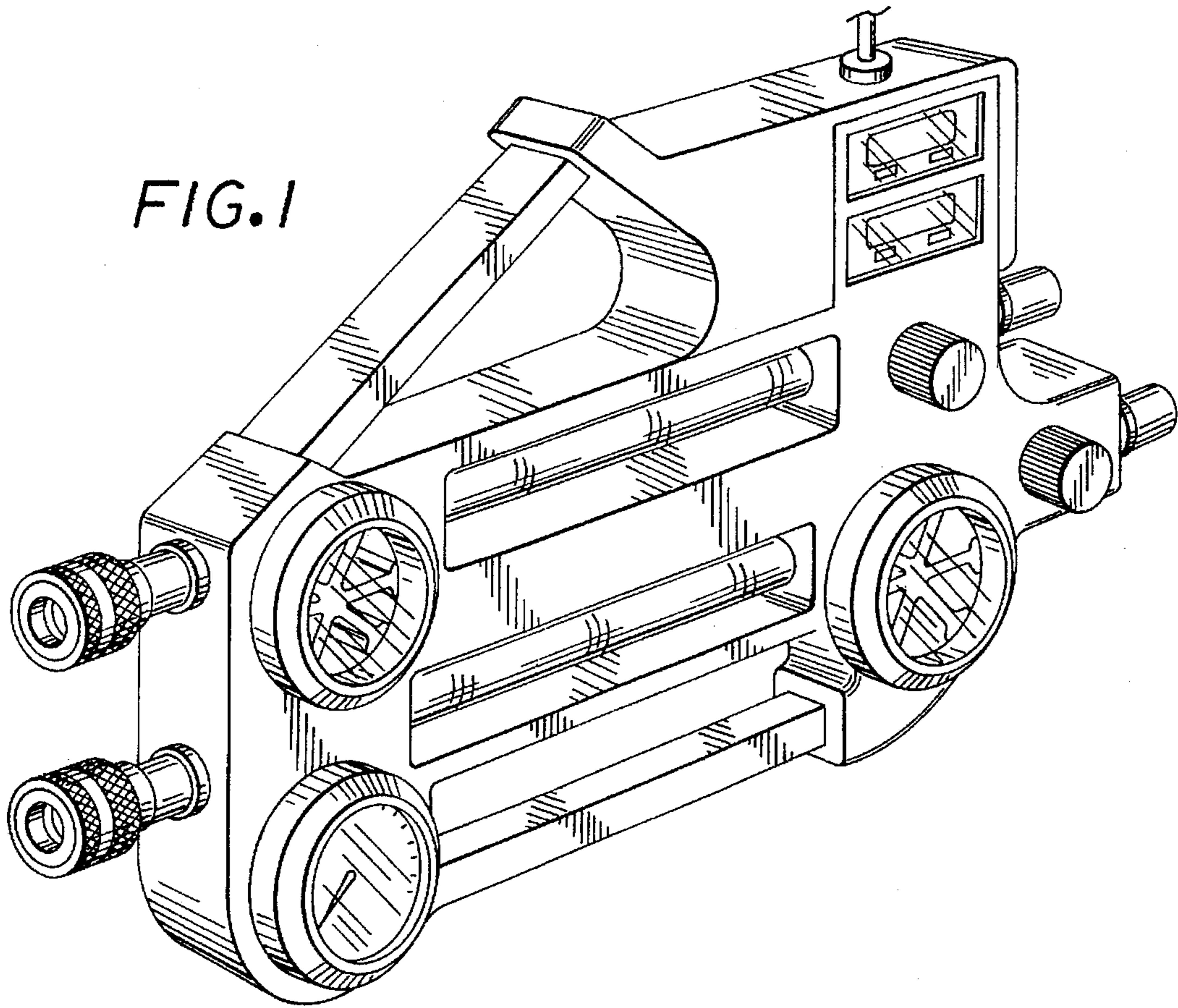


FIG. 3

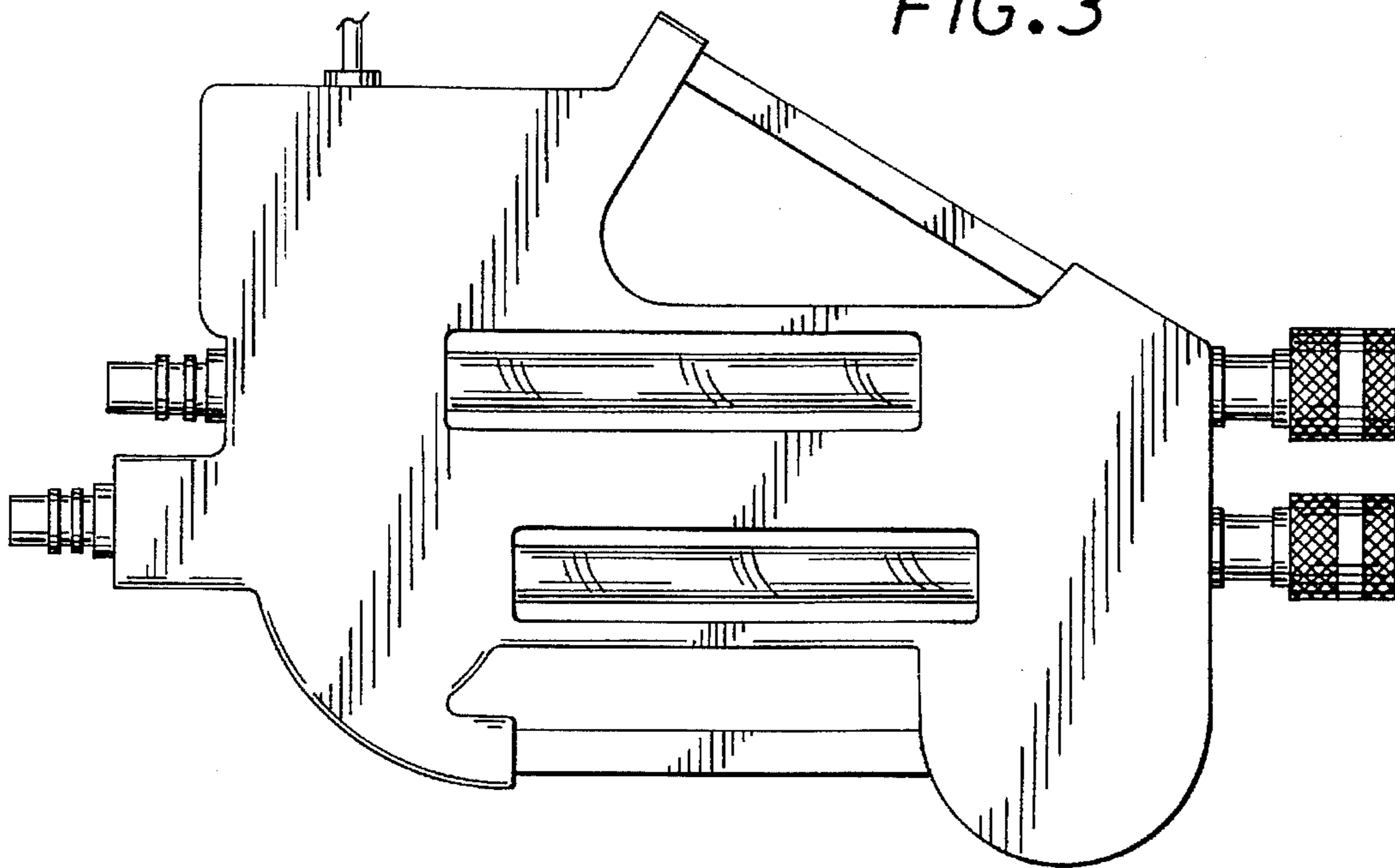
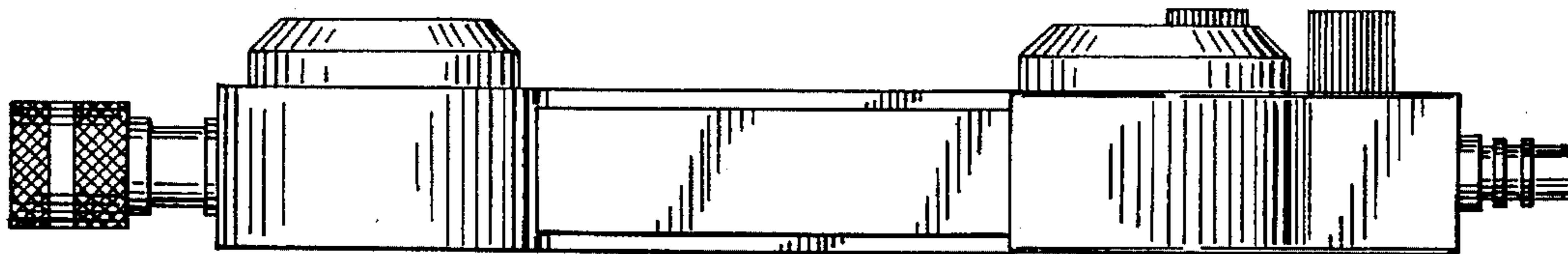


FIG. 4



FIG. 5



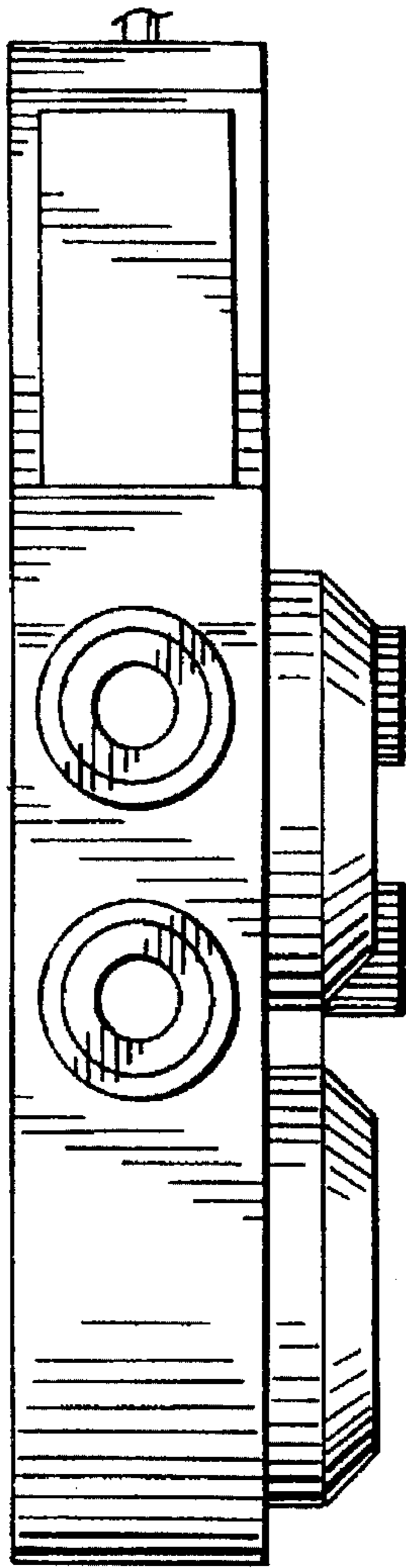


FIG. 6

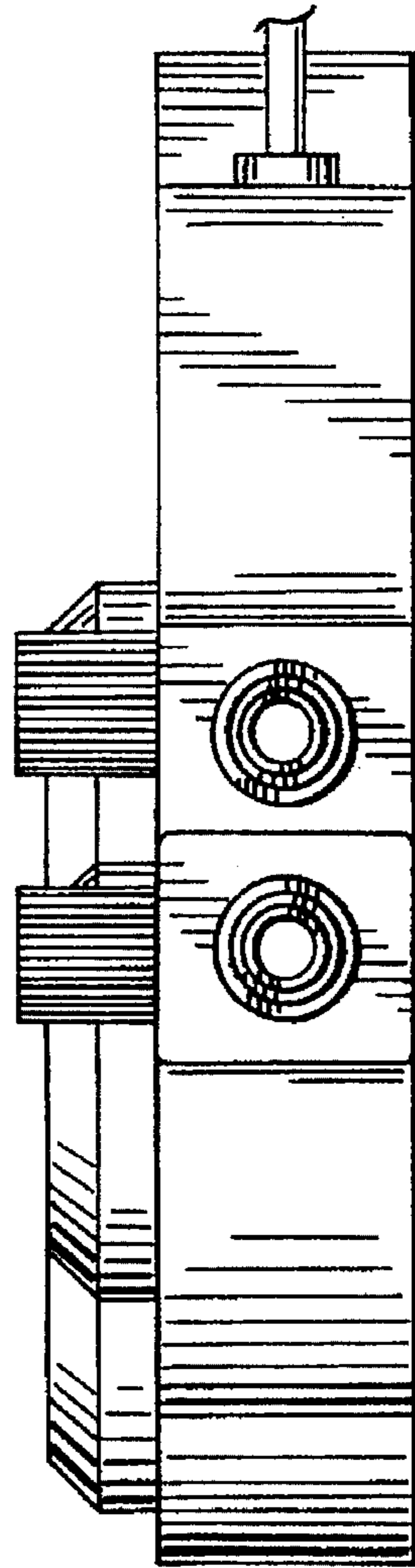


FIG. 7