



US00D379818S

# United States Patent [19]

Aldama et al.

[11] Patent Number: **Des. 379,818**

[45] Date of Patent: **\*\*Jun. 10, 1997**

[54] **ANTENNA SYSTEM**

[75] Inventors: **Alfredo Aldama, Miami, Fla.; Ralph W. Crudo, Rego Park, N.Y.**

[73] Assignee: **Algira Primo Inc., Brooklyn, N.Y.**

[\*\*] Term: **14 Years**

[21] Appl. No.: **53,559**

[22] Filed: **Apr. 25, 1996**

[51] LOC (6) Cl. .... **14-99**

[52] U.S. Cl. .... **D14/230; D14/234; D14/236**

[58] Field of Search ..... **D14/230, 231, D14/234, 236, 237; 343/700 R, 781 R**

[56] **References Cited**

**U.S. PATENT DOCUMENTS**

- D. 245,693 9/1977 Bogner ..... D14/236
- D. 311,540 10/1990 Wickrema et al. .... D14/233

- 2,761,138 8/1956 Sherman ..... 343/781 R
- 3,553,707 1/1971 Yang et al. .... 343/781 R
- 4,178,576 12/1979 Schmidt, Jr. et al. .... 343/781 R

*Primary Examiner*—Dominic Simone  
*Attorney, Agent, or Firm*—Kenyon & Kenyon

[57] **CLAIM**

The ornamental design for an antenna system, as shown and described.

**DESCRIPTION**

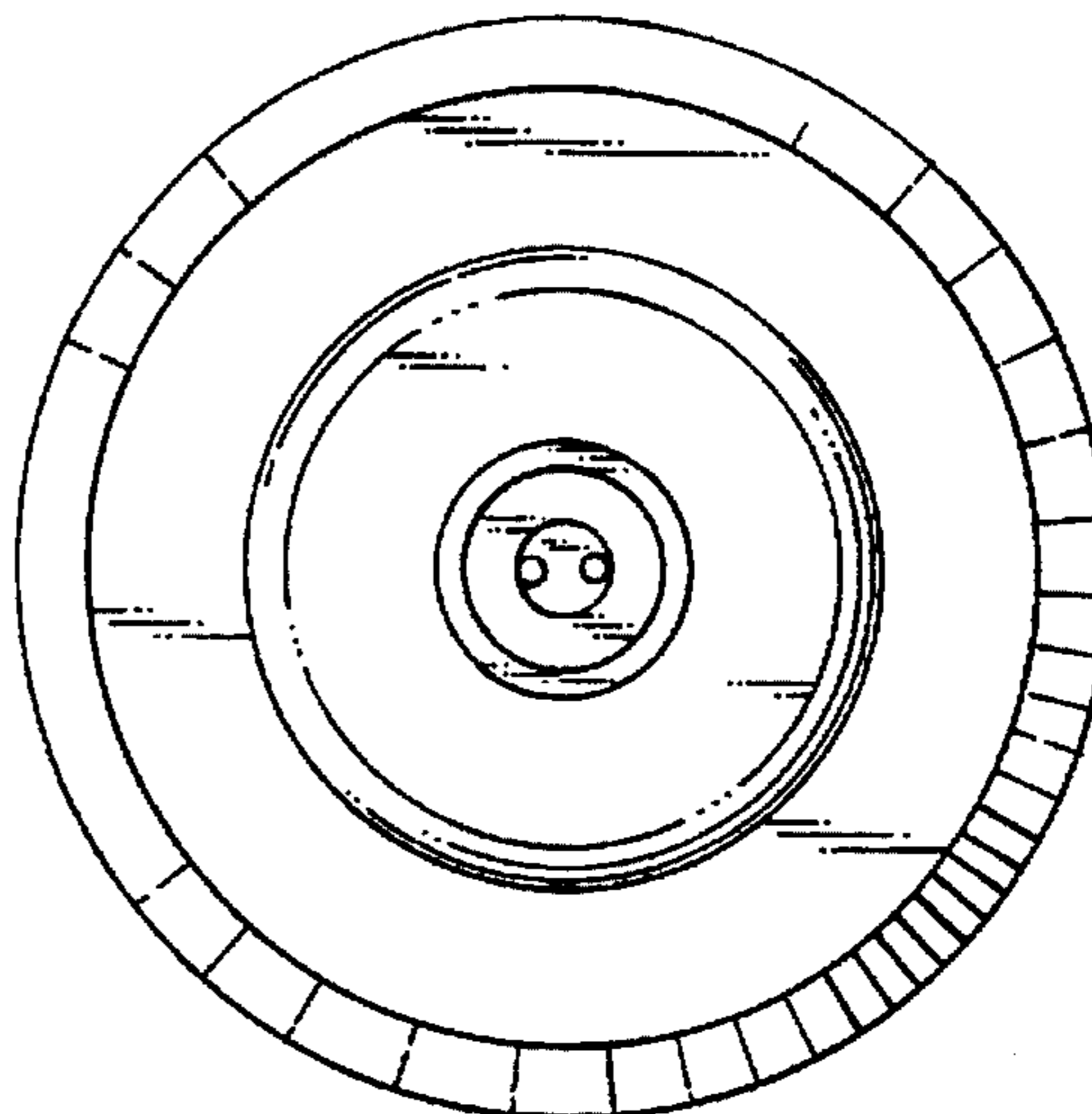
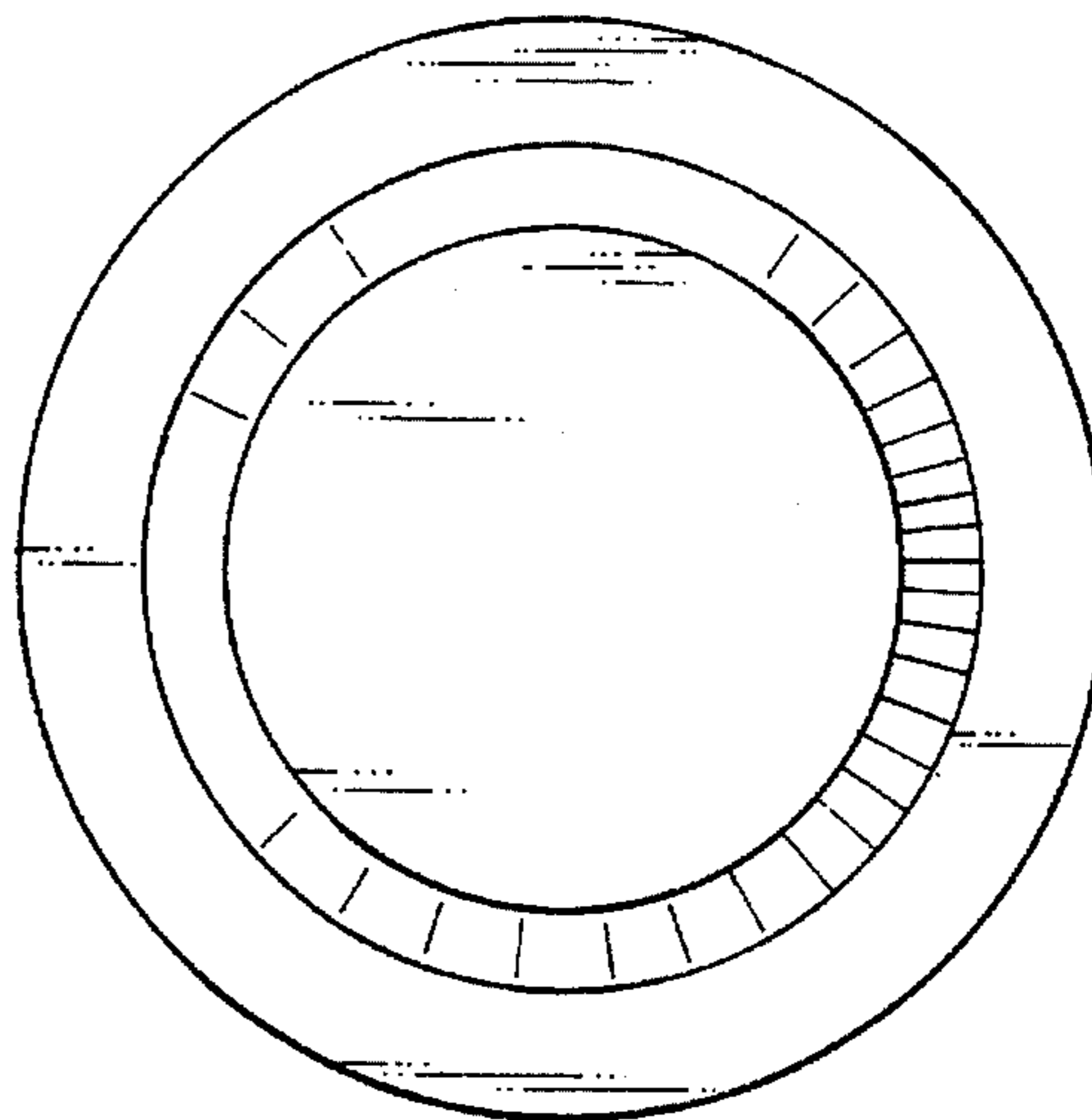
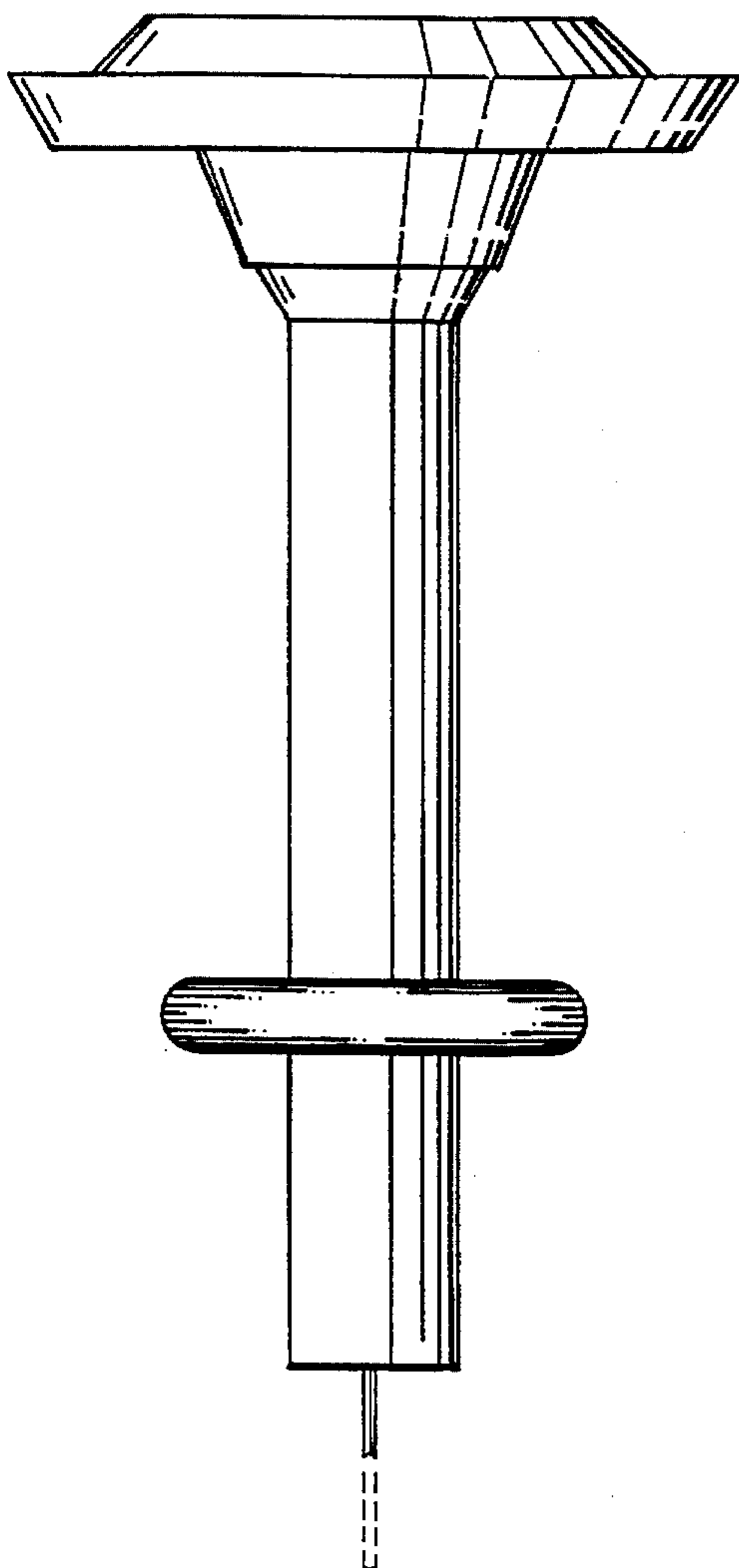
FIG. 1 is a front elevational view of an antenna system showing our new design, the rear elevational view being a mirror image thereof;

FIG. 2 is a top plan view thereof;

FIG. 3 is a bottom plan view thereof; and,

FIG. 4 is a right side elevational view thereof; the left side elevational view being a mirror image thereof.

**1 Claim, 3 Drawing Sheets**



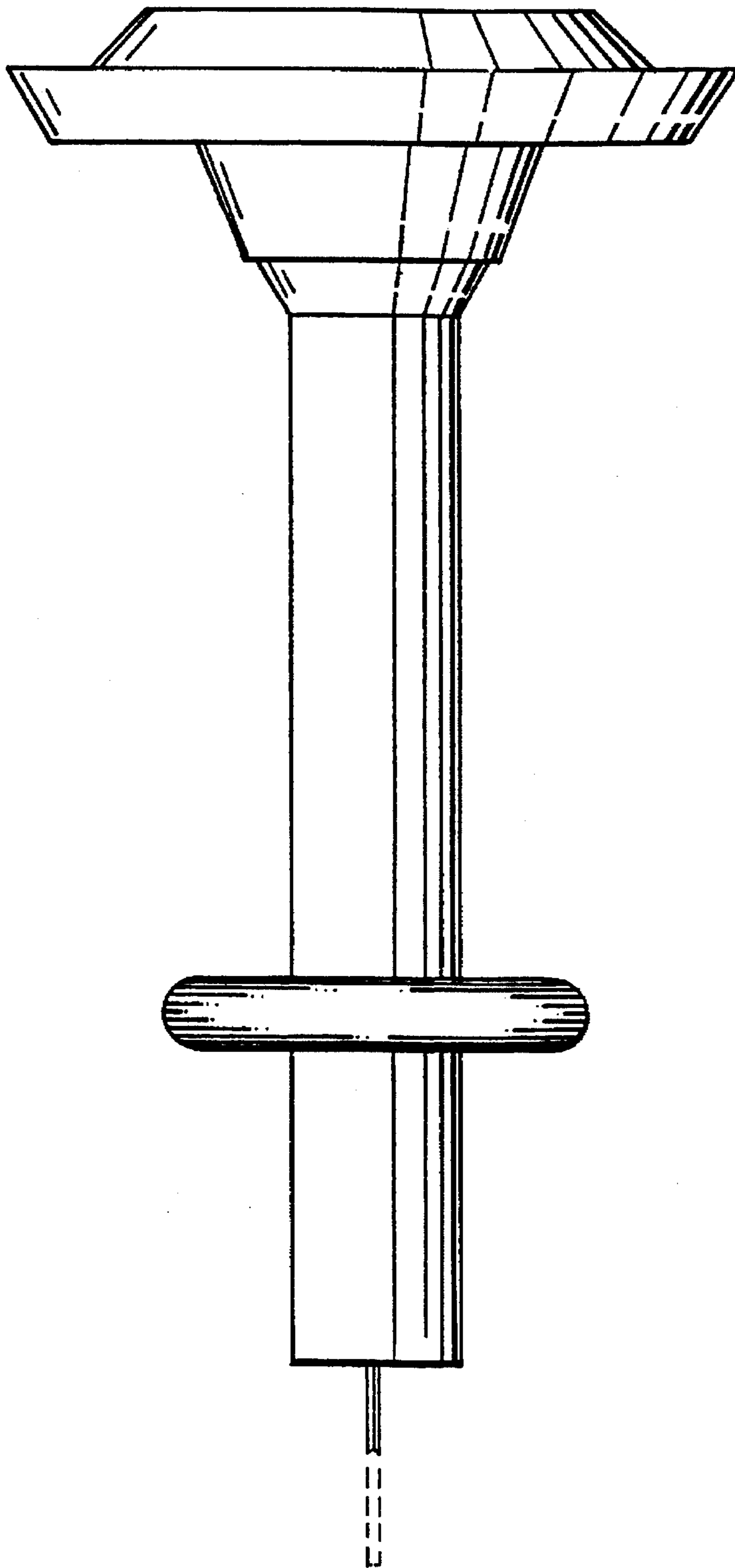


FIG. 1

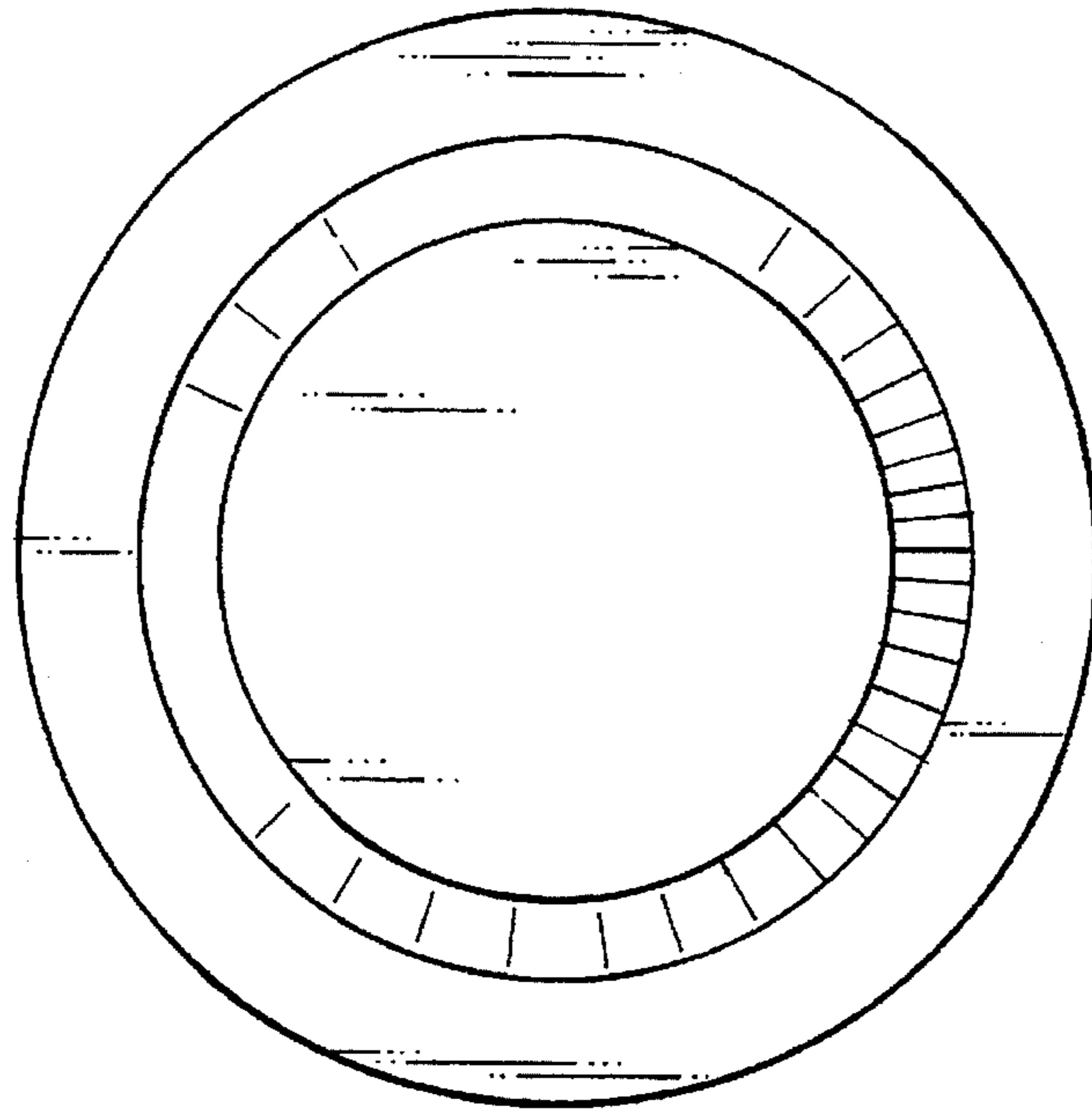


FIG. 2

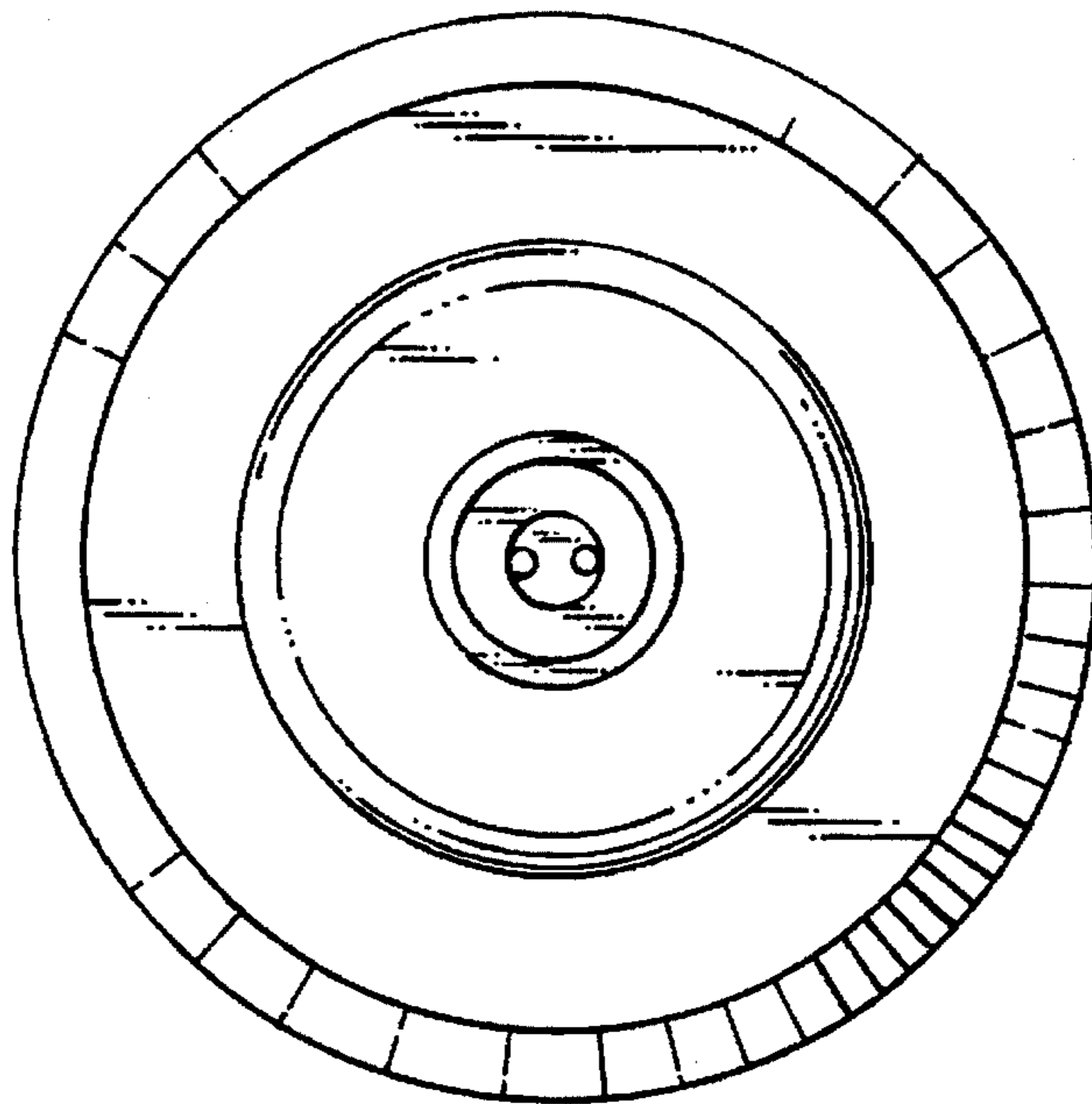


FIG. 3

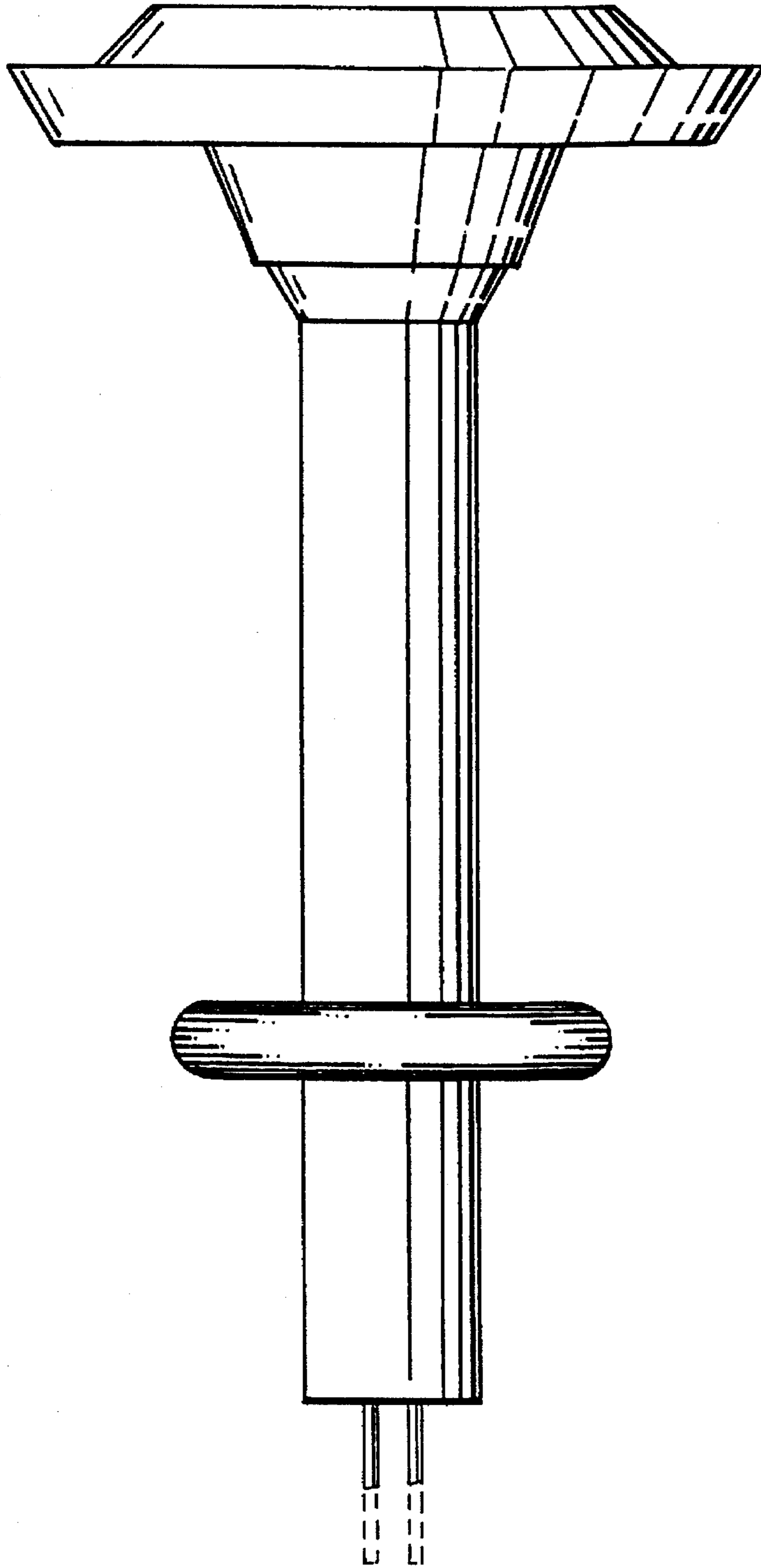


FIG. 4