



US00D379815S

United States Patent [19]
Bohannan

[11] **Patent Number: Des. 379,815**

[45] **Date of Patent: **Jun. 10, 1997**

[54] **HORN TWEETER**

[75] **Inventor: Jerry L. Bohannan, Albuquerque, N.Mex.**

[73] **Assignee: Motorola, Inc., Schaumburg, Ill.**

[**] **Term: 14 Years**

[21] **Appl. No.: 48,515**

[22] **Filed: Jan. 2, 1996**

[51] **LOC (6) Cl. 14-01**

[52] **U.S. Cl. D10/120; D10/120**

[58] **Field of Search D10/120; D14/204, D14/207-216, 219-222; 181/144-145, 148, 152-153, 159, 199; 381/156**

[56] **References Cited**

U.S. PATENT DOCUMENTS

D. 182,351 3/1958 Avedon D14/204

D. 235,747	7/1975	Sweany	D10/120
D. 264,841	6/1982	Pickrel	D14/204
D. 275,852	10/1984	Brisson	D14/204
4,071,112	1/1978	Keele, Lr.	181/159 X
5,004,067	4/1991	Partonis	381/156

Primary Examiner—Sandra L. Morris
Assistant Examiner—Nanda Bondade
Attorney, Agent, or Firm—Gary J. Cunningham

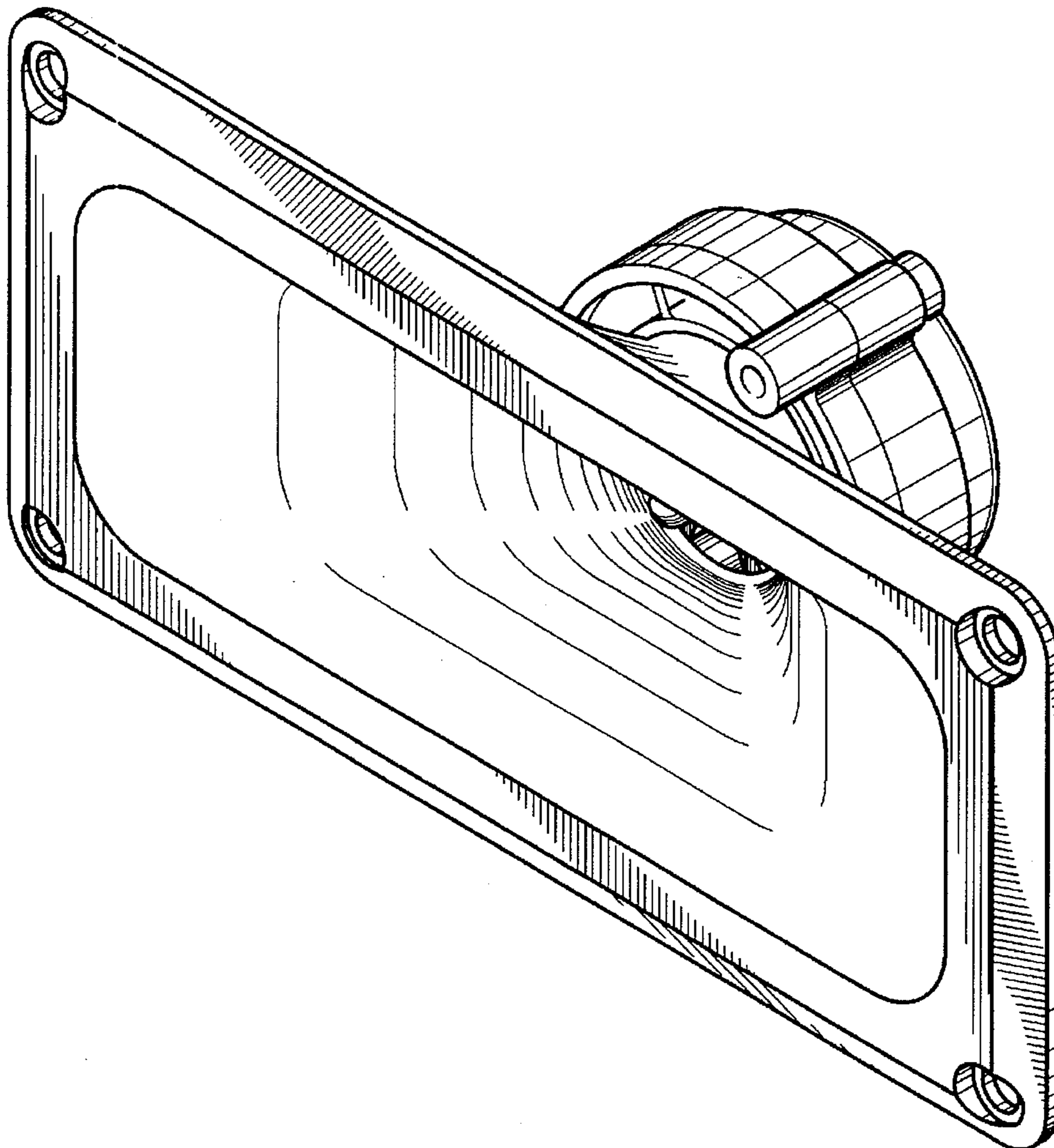
[57] **CLAIM**

The ornamental design for a horn tweeter, as shown and described.

DESCRIPTION

FIG. 1 is a front, top and right side perspective view of a horn tweeter showing my new design; FIG. 2 is a left side elevational view thereof; FIG. 3 is a rear elevational view thereof; and, FIG. 4 is a bottom plan view thereof.

1 Claim, 2 Drawing Sheets



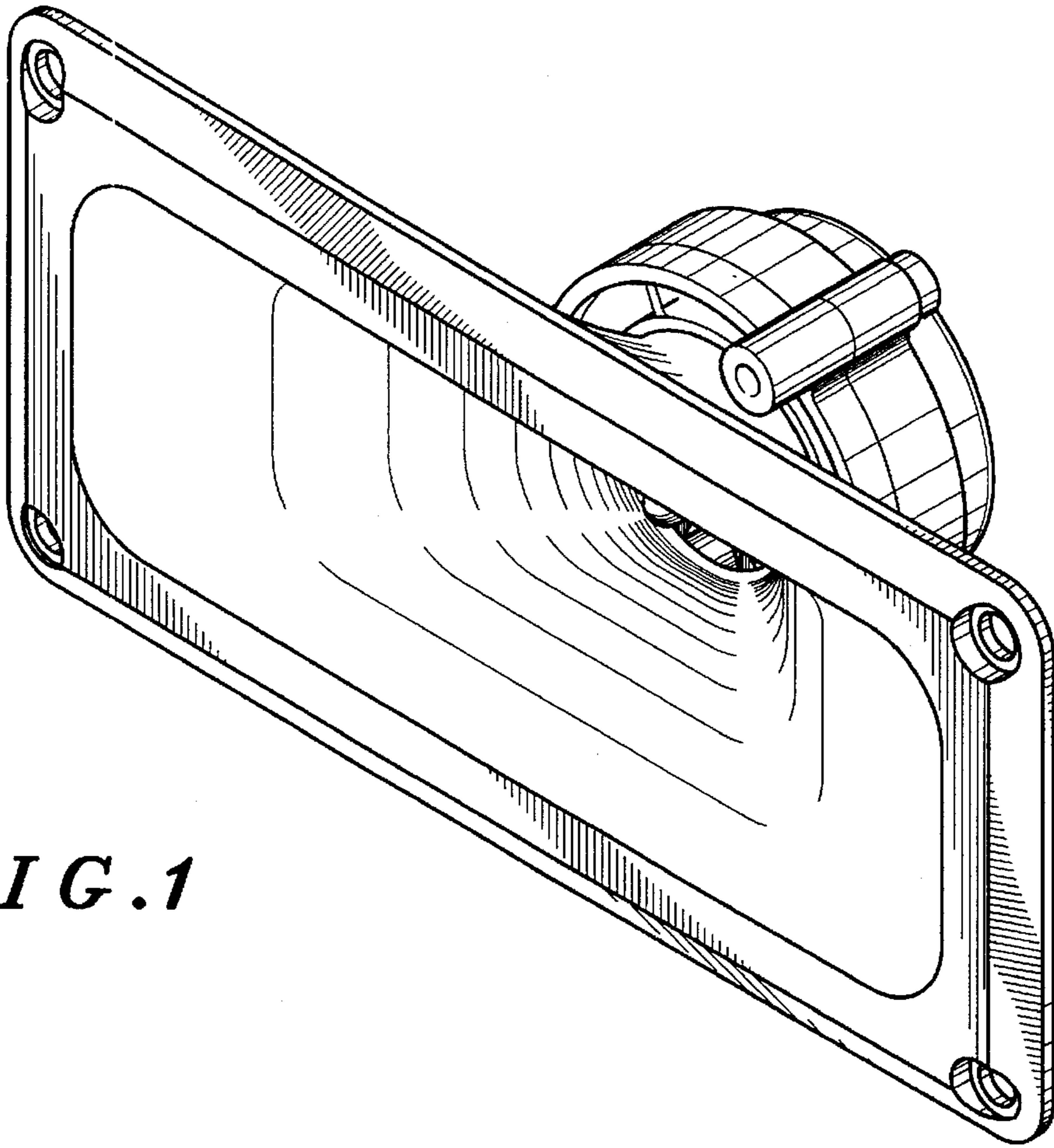


FIG. 1

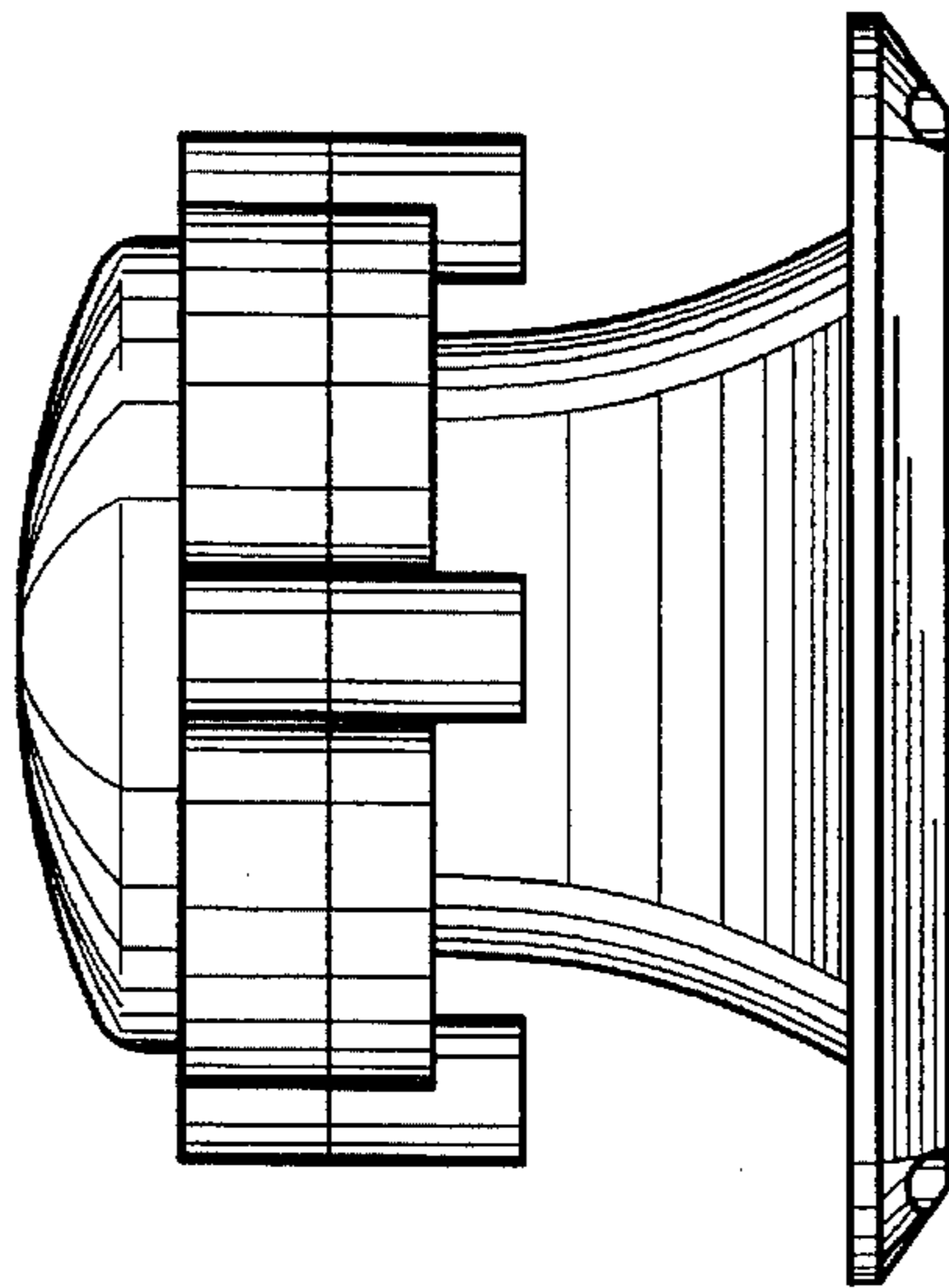


FIG. 2

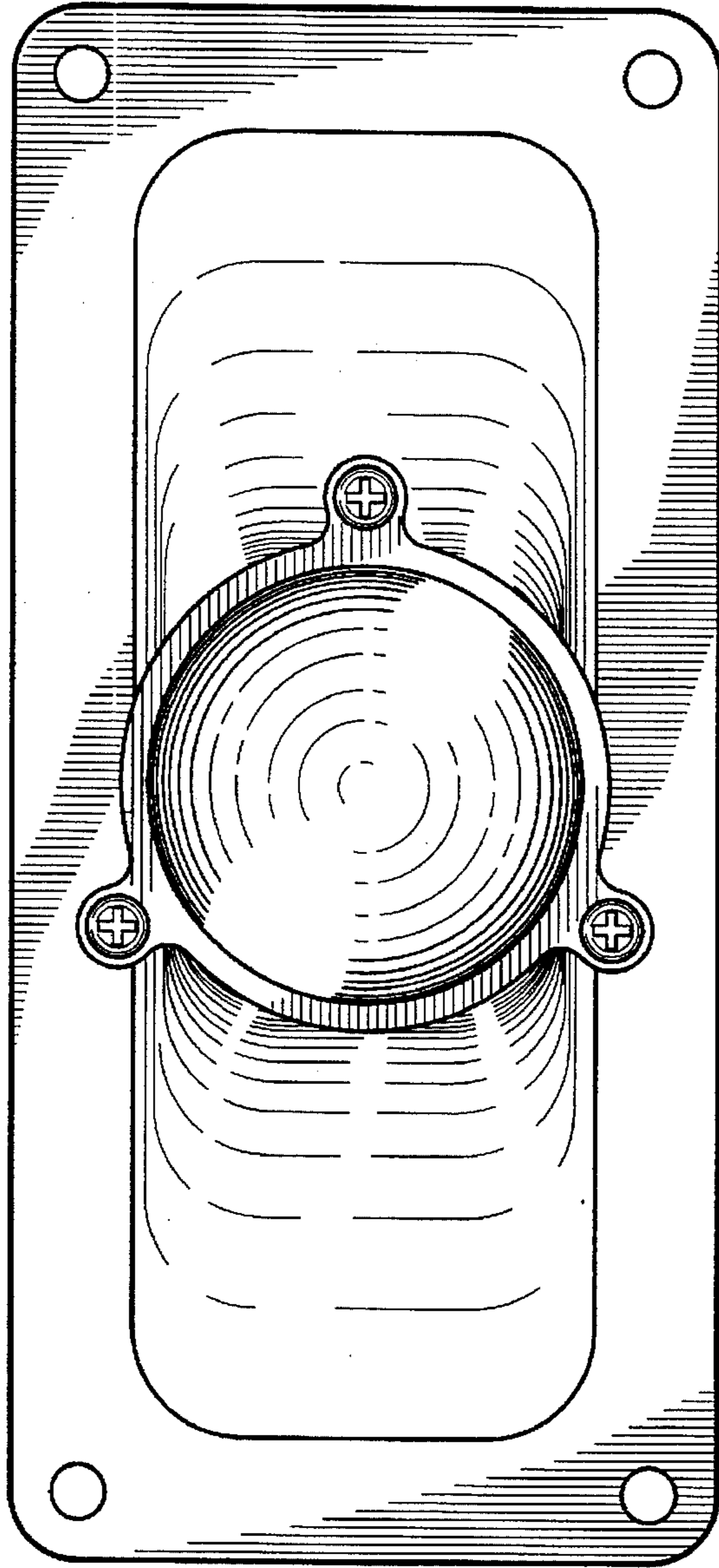


FIG. 3

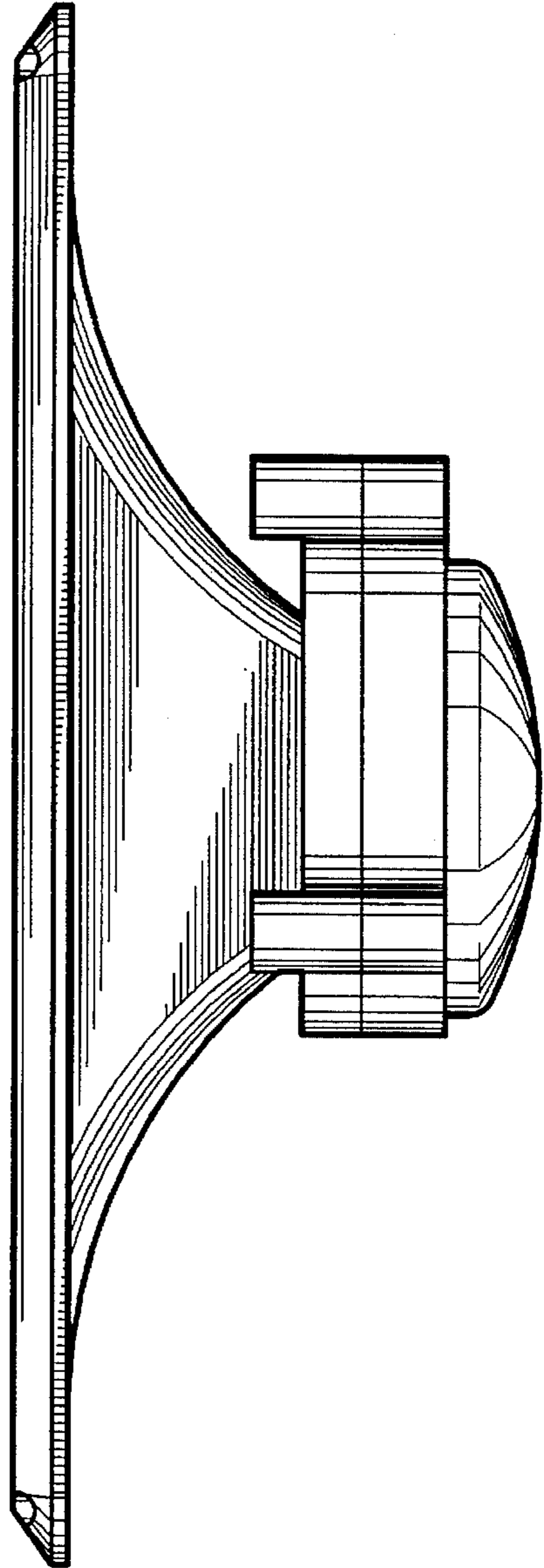


FIG. 4