



US00D379806S

United States Patent [19]

[11] Patent Number: Des. 379,806

Fekete et al.

[45] Date of Patent: **Jun. 10, 1997

[54] SPRING CONNECTOR FOR AN ELECTRONIC TOKEN

5,049,728 9/1991 Rovin 235/492
5,091,771 2/1992 Bolan et al. 235/492 X

[75] Inventors: Nicholas M. G. Fekete, Richardson; Elaine J. Gattenby, Allen; Michael L. Bolan, Dallas, all of Tex.

Primary Examiner—M. H. Tung
Attorney, Agent, or Firm—Jenkins & Gilchrist, P.C.

[73] Assignee: Dallas Semiconductor Corporation, Dallas, Tex.

[57] CLAIM

[**] Term: 14 Years

The ornamental design for spring connector for an electronic token, as shown and described.

[21] Appl. No.: 31,606

DESCRIPTION

[22] Filed: Dec. 1, 1994

FIG. 1 is a front view of the spring connector for an electronic token;
FIG. 2 is a left side view of the spring connector for an electronic token;
FIG. 3 is a rear view of the spring connector for an electronic token;
FIG. 4 is a right side view of the spring connector for an electronic token;
FIG. 5 is a top view of the spring connector for an electronic token;
FIG. 6 is a bottom view of the spring connector for an electronic token; and,
FIG. 7 is a perspective view of the spring connector for an electronic token.

[51] LOC (6) Cl. 14-02

[52] U.S. Cl. D14/114; D8/373

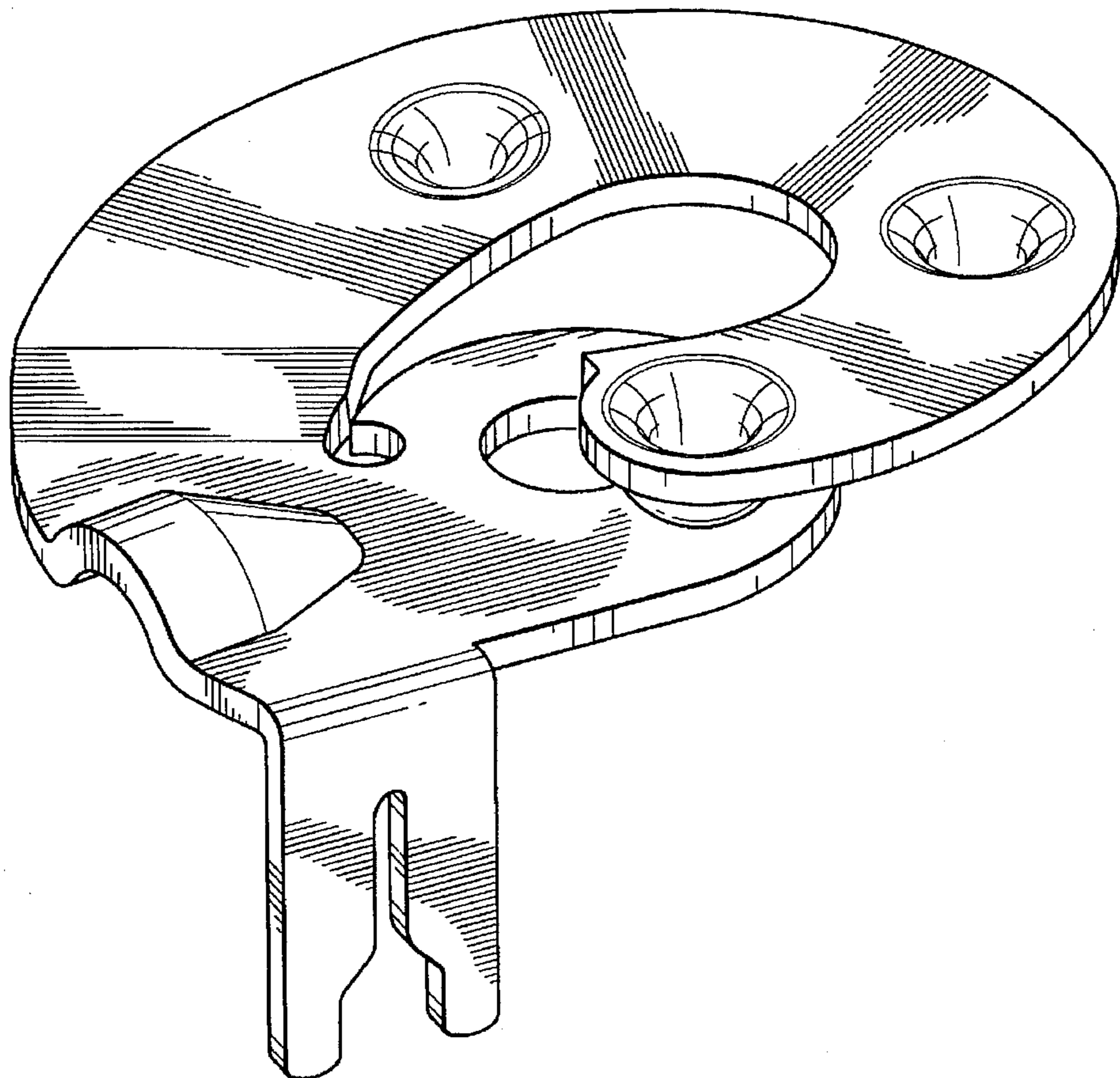
[58] Field of Search D14/114; D13/133, D13/146, 147; 235/487-92; 194/205; D8/373, 380

[56] References Cited

U.S. PATENT DOCUMENTS

- D. 270,879 10/1983 Jacobson D8/373 X
- D. 275,347 9/1984 Brorsson D8/373
- D. 294,914 3/1988 Chase et al. D8/373
- 4,969,549 11/1990 Eglise 194/205

1 Claim, 4 Drawing Sheets



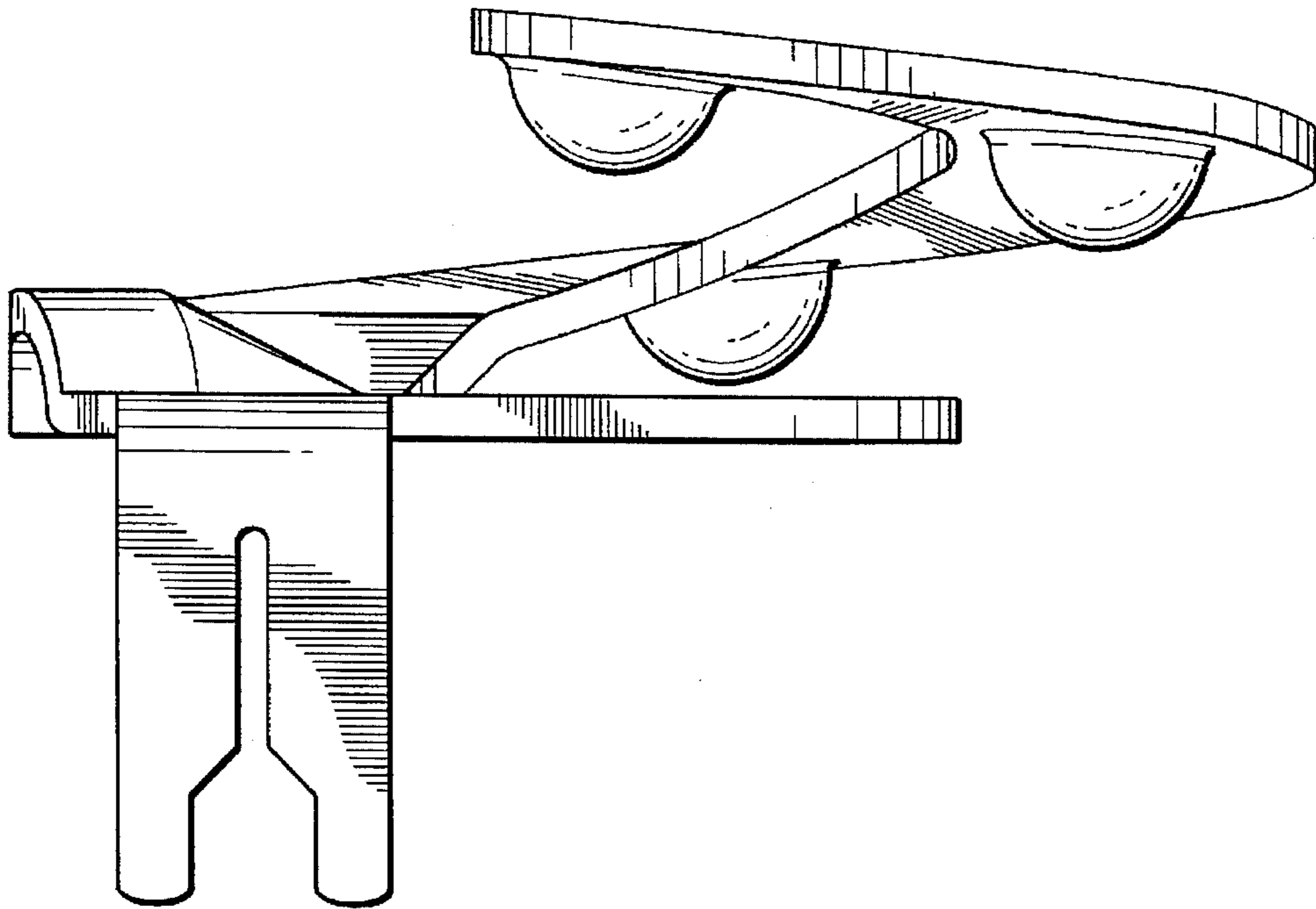


FIG. 1

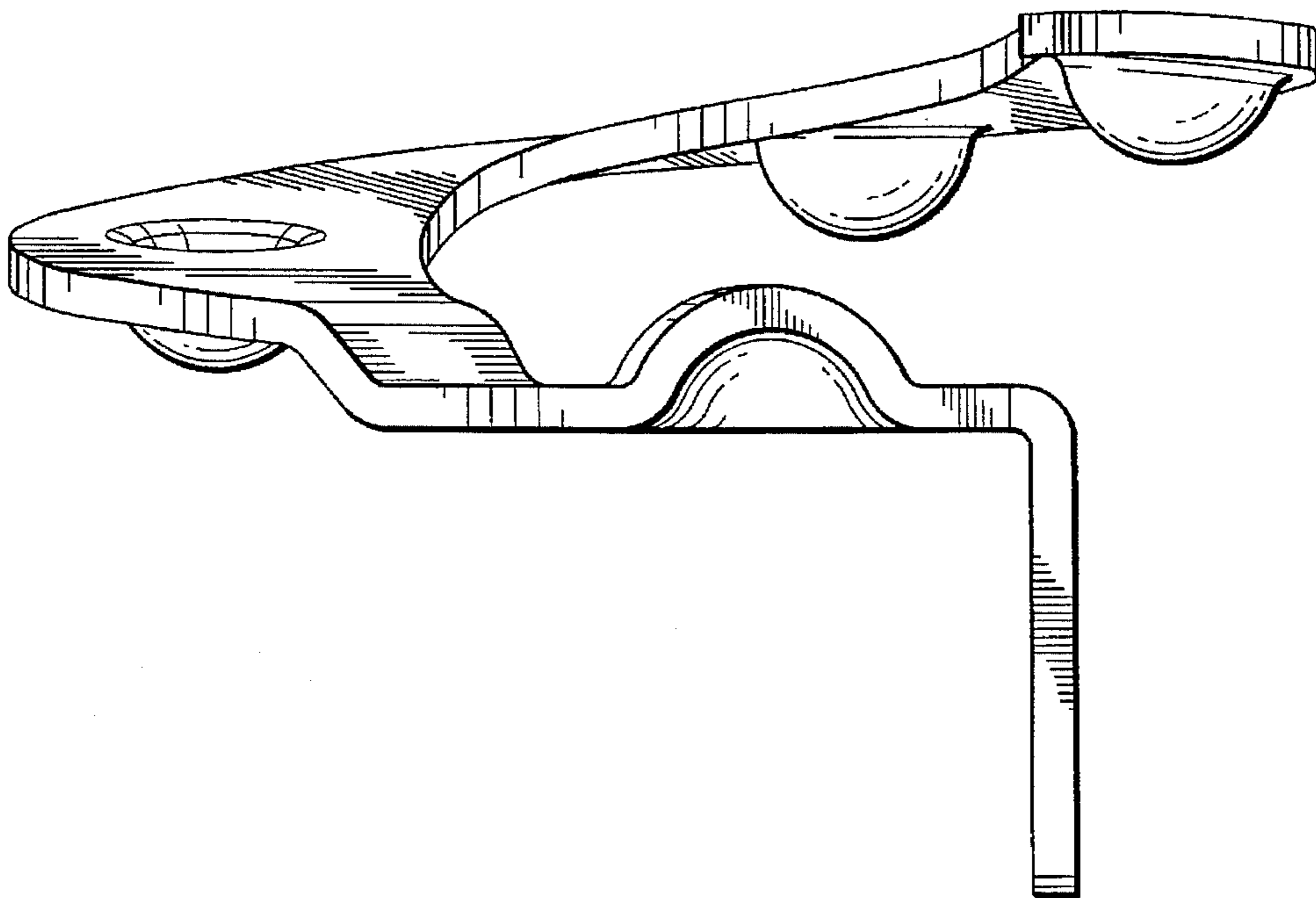


FIG. 2

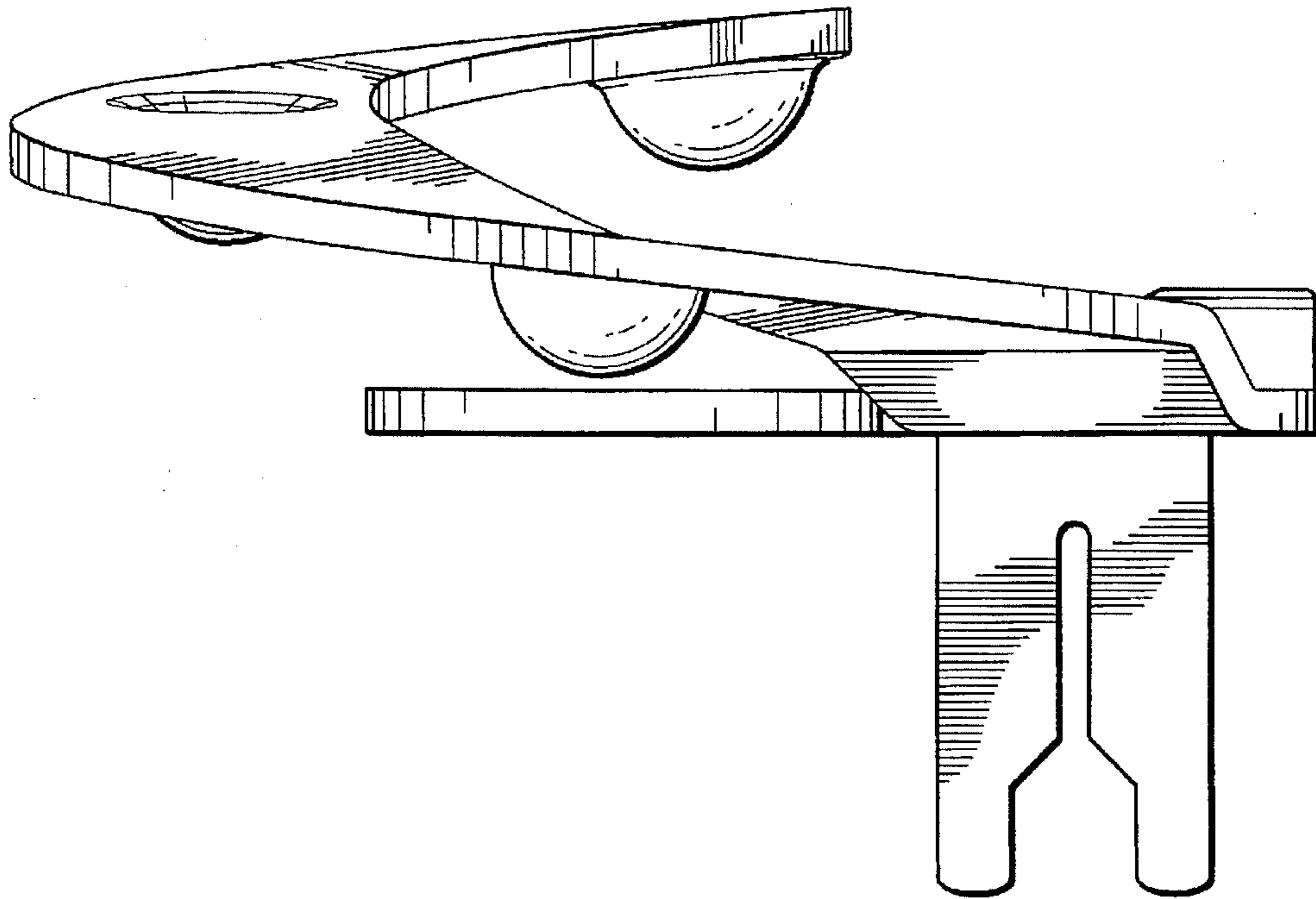


FIG. 3

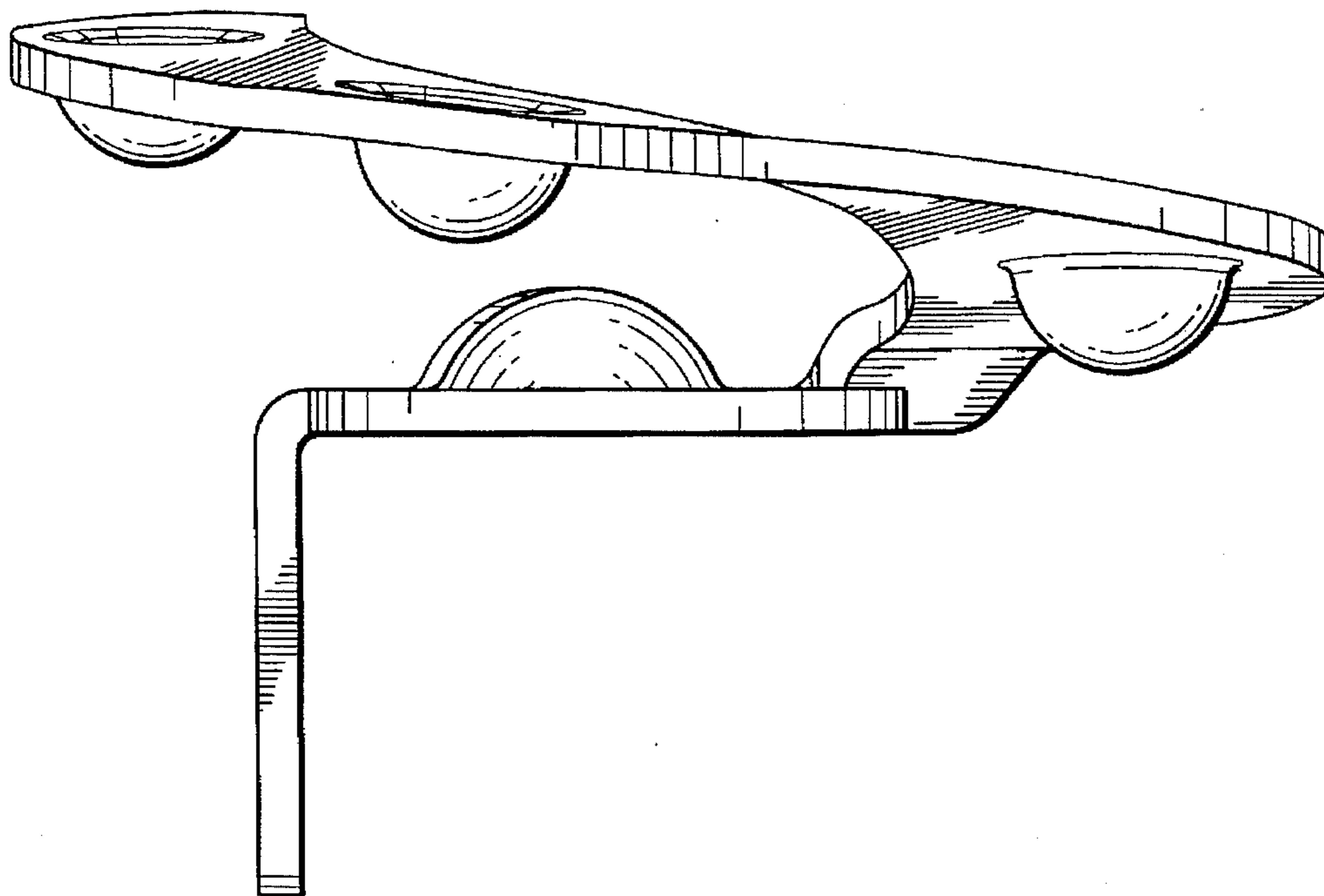


FIG. 4

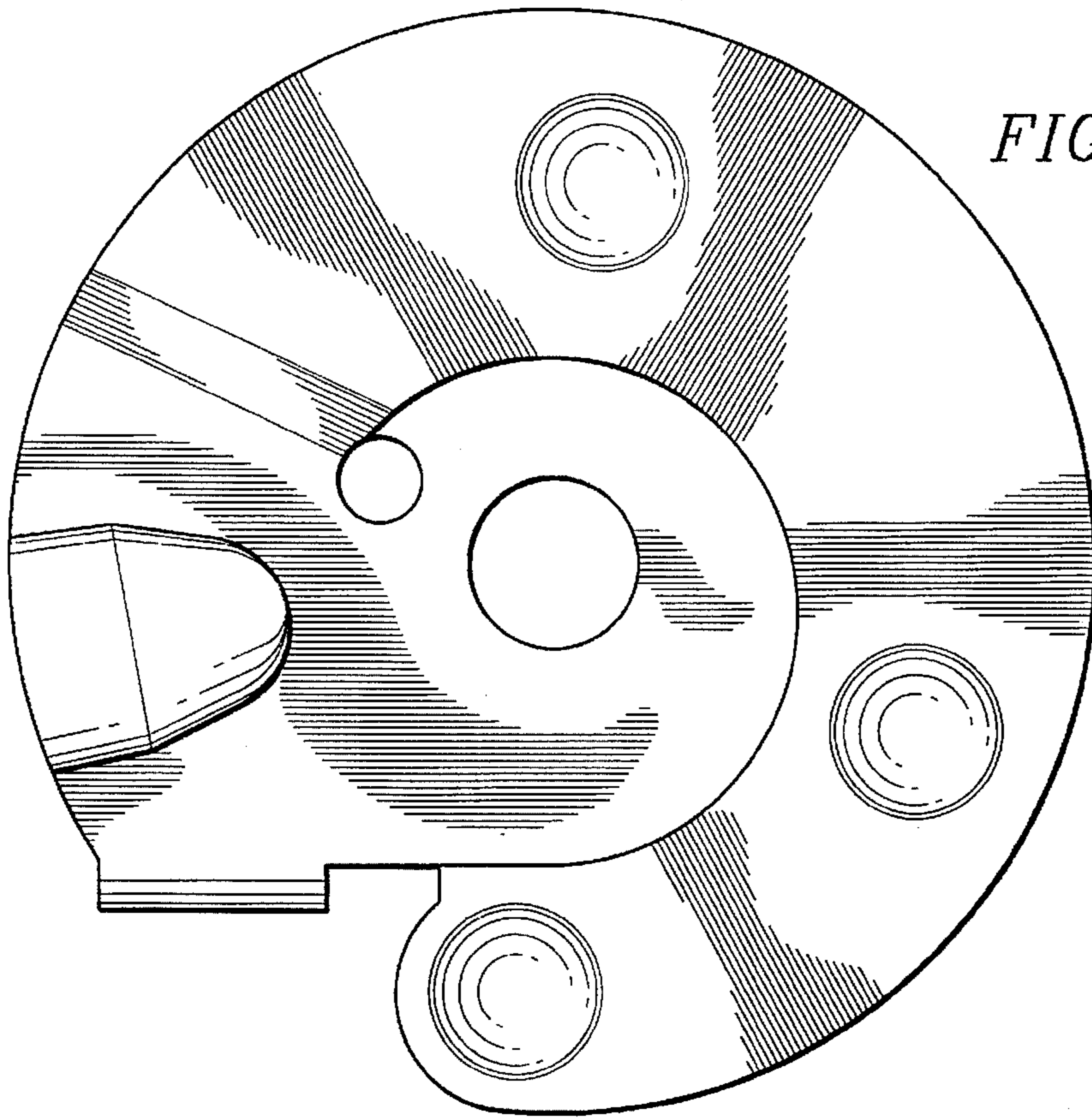


FIG. 5

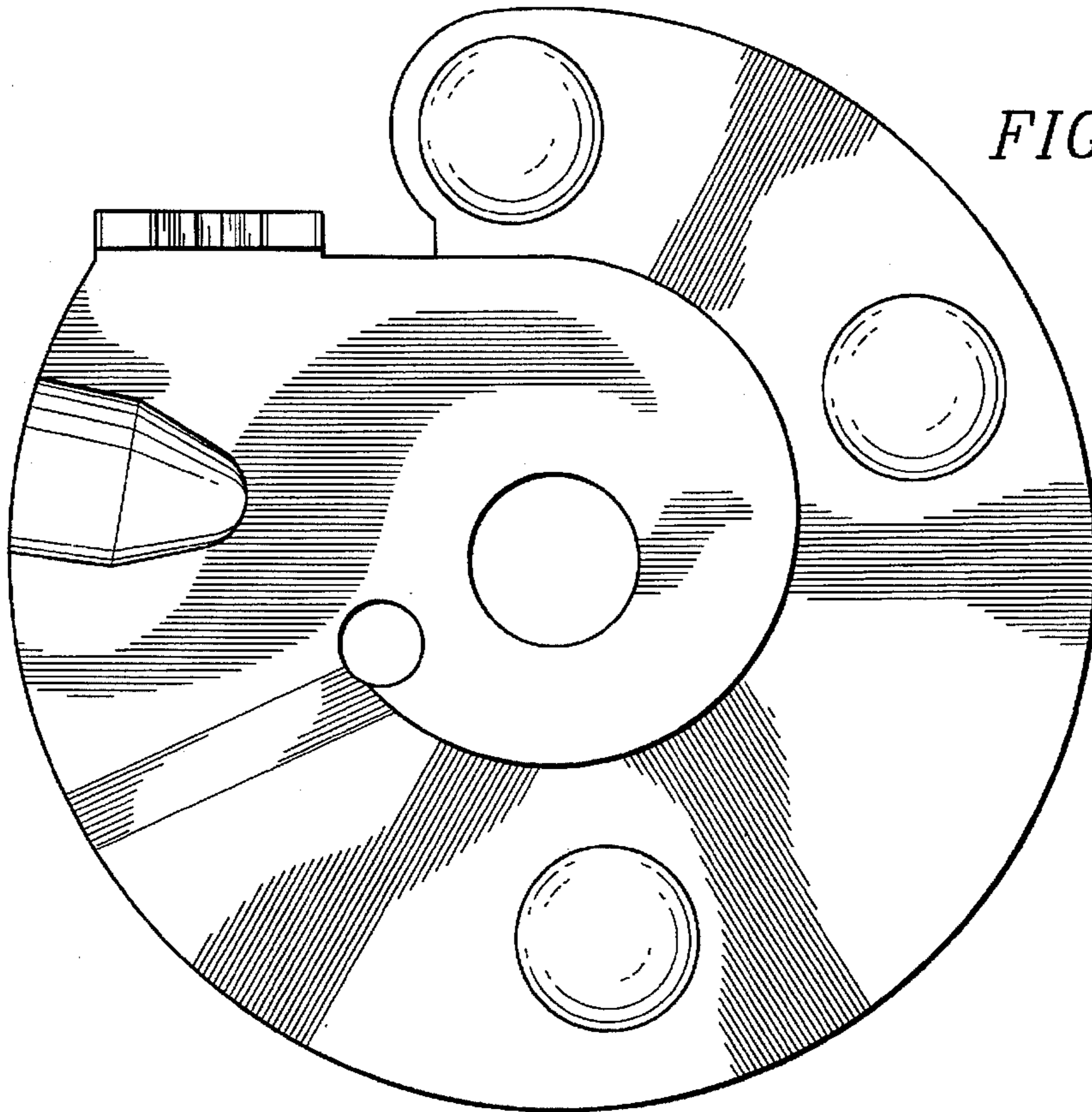


FIG. 6

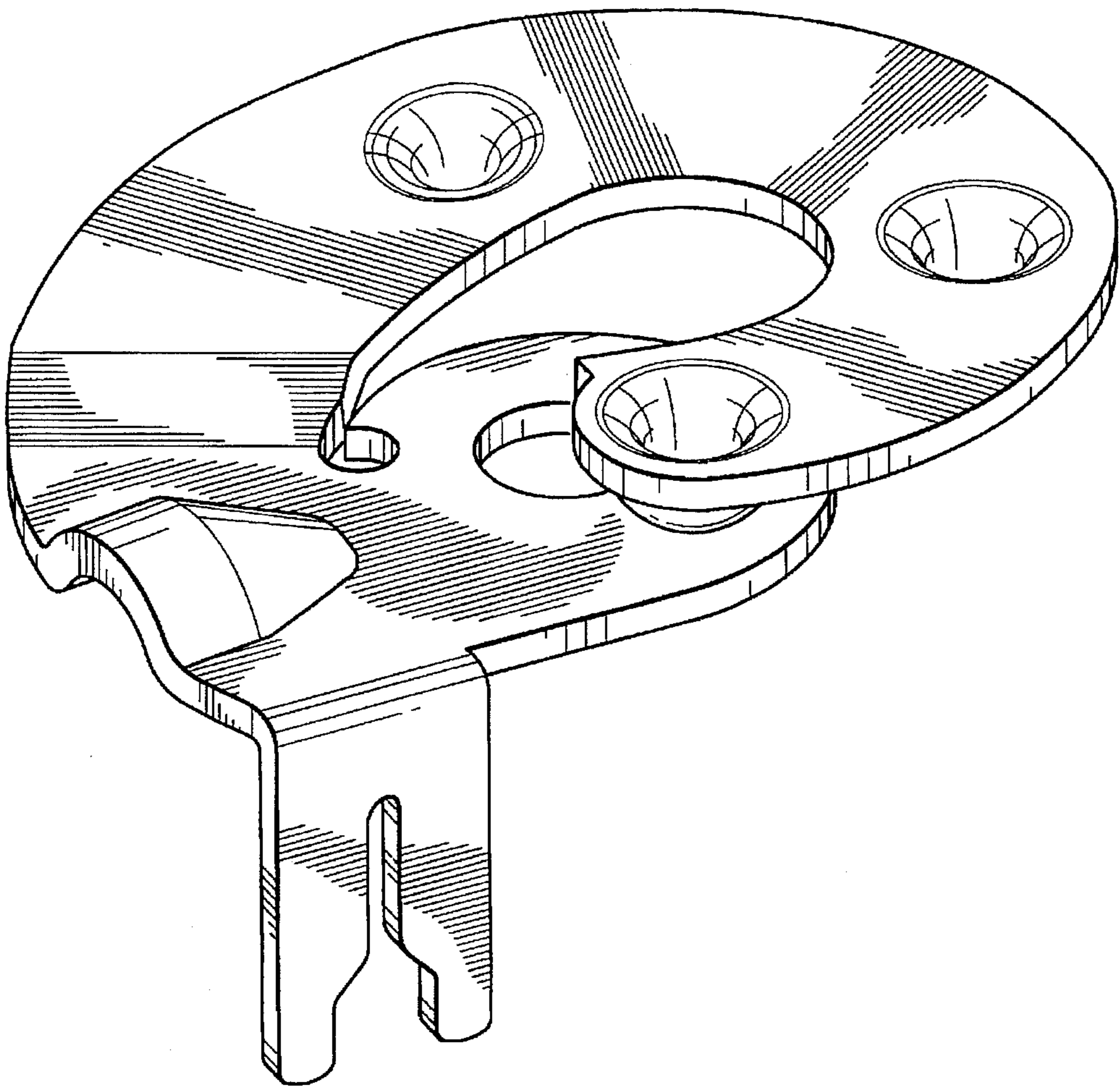


FIG. 7