



US00D379804S

# United States Patent [19]

Shima et al.

[11] Patent Number: **Des. 379,804**

[45] Date of Patent: **\*\*\*Jun. 10, 1997**

[54] **PERSONAL COMPUTER**

[75] Inventors: **Hisashi Shima, Fujisawa; Kazuhiko Yamazaki, Hiratuka, both of Japan**

[73] Assignee: **International Business Machines Corporation, Armonk, N.Y.**

[\*] Notice: The portion of the term of this patent subsequent to Oct. 8, 2010, has been disclaimed.

[\*\*] Term: **14 Years**

[21] Appl. No.: **36,780**

[22] Filed: **Mar. 27, 1995**

[30] **Foreign Application Priority Data**

Sep. 30, 1994 [JP] Japan ..... 6-30003

[51] LOC (6) Cl. .... **14-02**

[52] U.S. Cl. .... **D14/106**

[58] Field of Search ..... D14/100, 101, D14/106, 113, 115, 124-127; D18/1, 7; 235/145 A, 145 R; 341/22, 23; 345/104, 156, 168, 173, 901-905, 87, 160; 361/679-686; 364/708.1, 709.04, 709.12; 400/486, 489; D16/200, 203, 214, 219

[56] **References Cited**

**U.S. PATENT DOCUMENTS**

D. 360,622 7/1995 Shin et al. .... D14/106  
D. 361,553 8/1995 De Iuliis ..... D14/106

**FOREIGN PATENT DOCUMENTS**

M9403037 10/1994 Germany ..... D14/106

*Primary Examiner*—Freda Nunn

*Attorney, Agent, or Firm*—Martin J. McKinley; Andrew J. Dillon

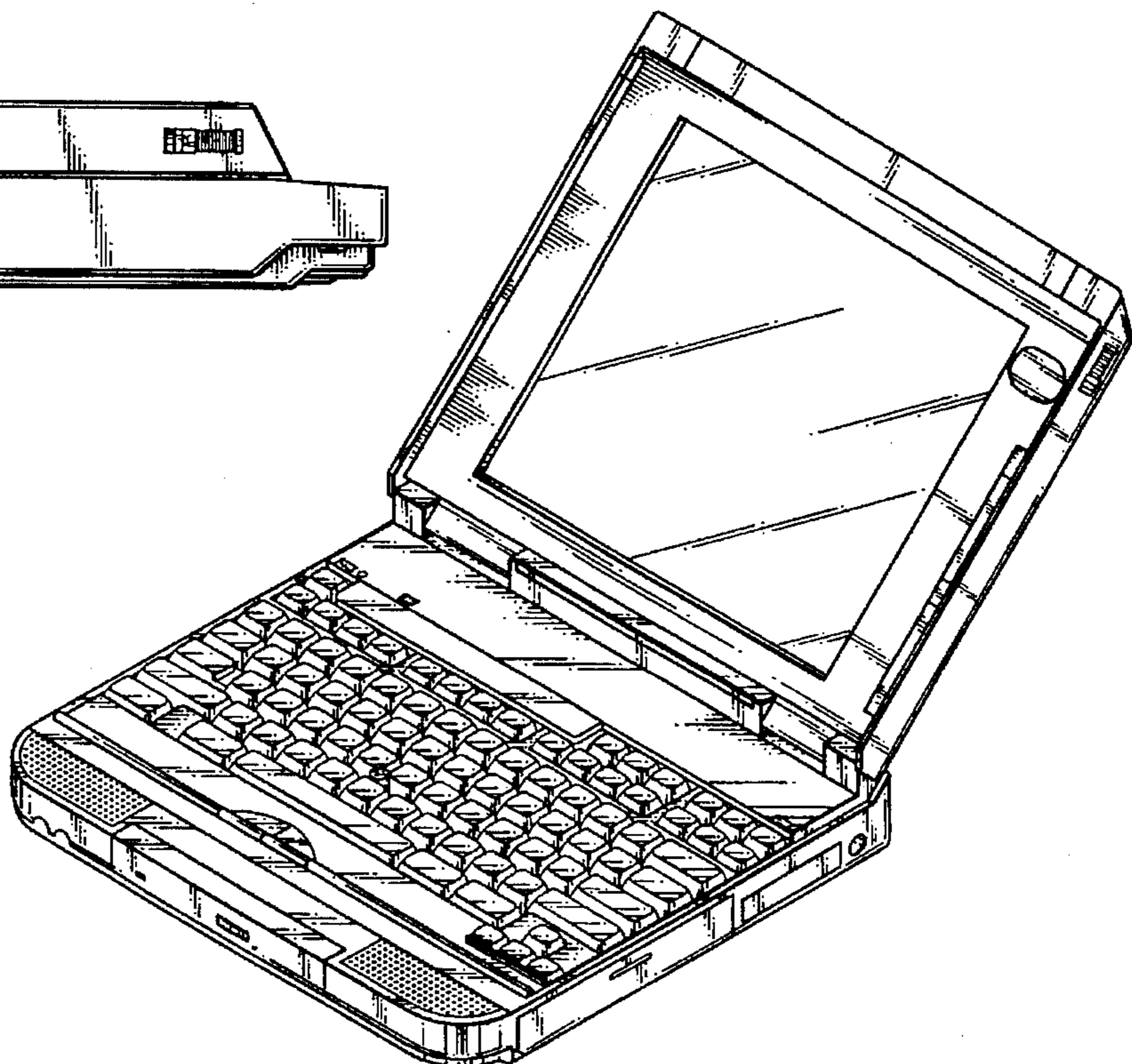
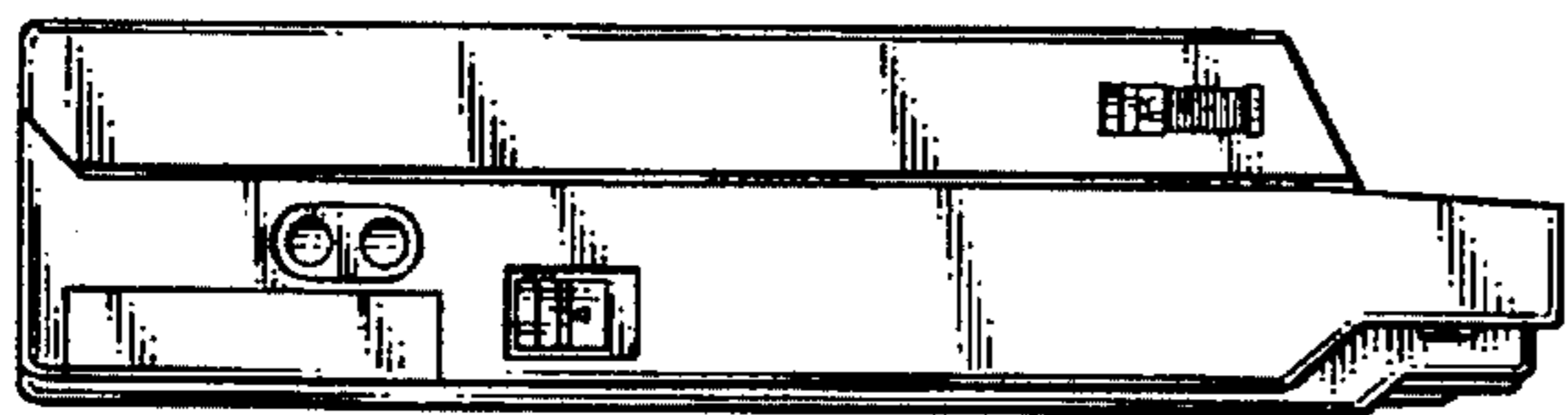
[57] **CLAIM**

The ornamental design for a personal computer, as shown and described.

**DESCRIPTION**

FIG. 1 is a perspective view of the personal computer of the present invention in an opened posture; FIG. 2 is a front elevational view thereof in an opened posture; FIG. 3 is a rear elevational view thereof in an opened posture; FIG. 4 is a top plan view thereof in an opened posture; FIG. 5 is a bottom plan view thereof in an opened posture; FIG. 6 is a left side elevational view thereof in an opened posture; FIG. 7 is a right side elevational view thereof in an opened posture; FIG. 8 is a front elevational view thereof in a closed posture; FIG. 9 is a top plan view thereof in a closed posture; FIG. 10 is a rear elevational view thereof in a closed posture; FIG. 11 is a bottom plan view thereof in a closed posture; FIG. 12 is a right side elevational view thereof in a closed posture; and, FIG. 13 is a left side elevational view thereof in a closed posture.

**1 Claim, 8 Drawing Sheets**



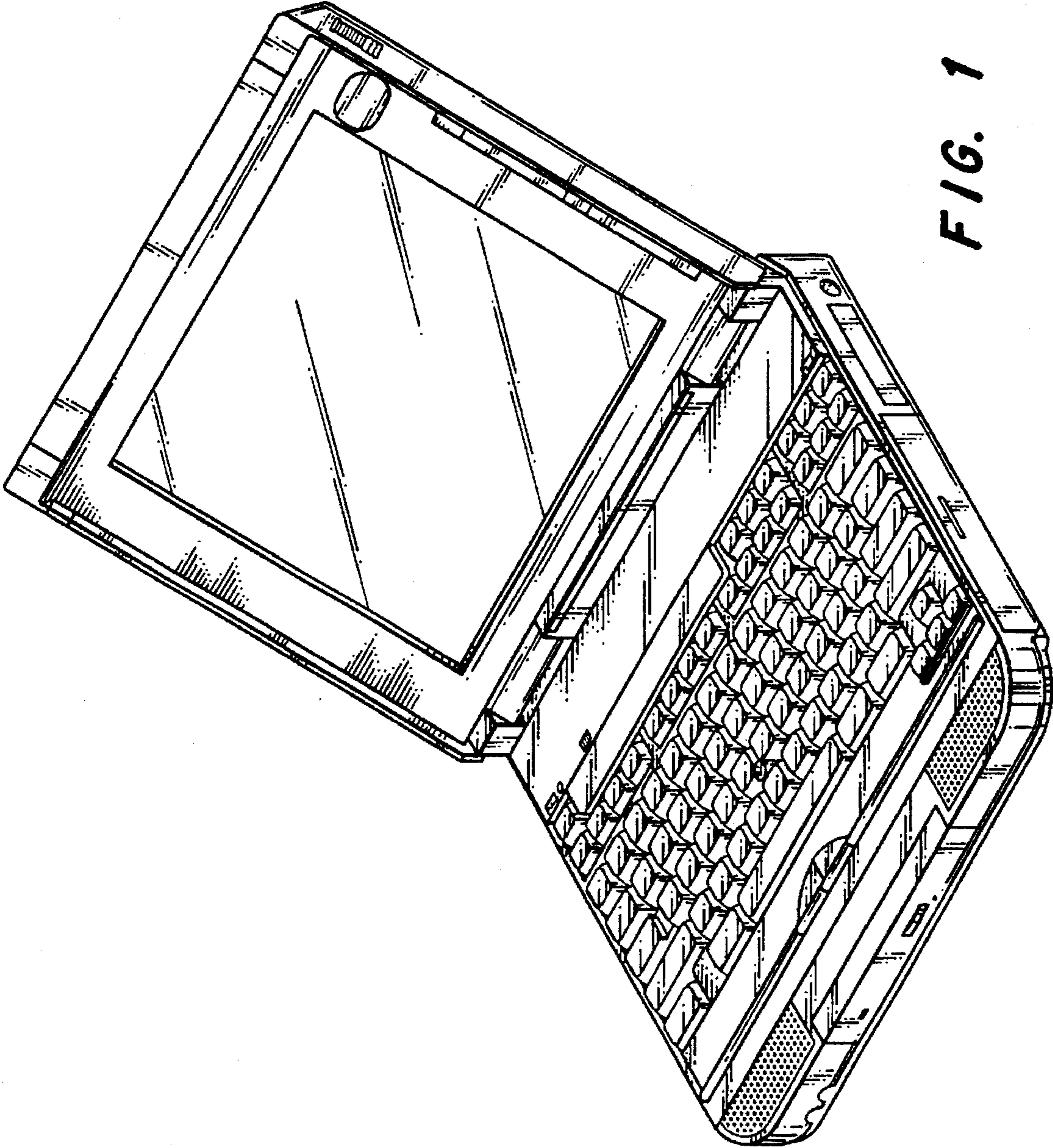
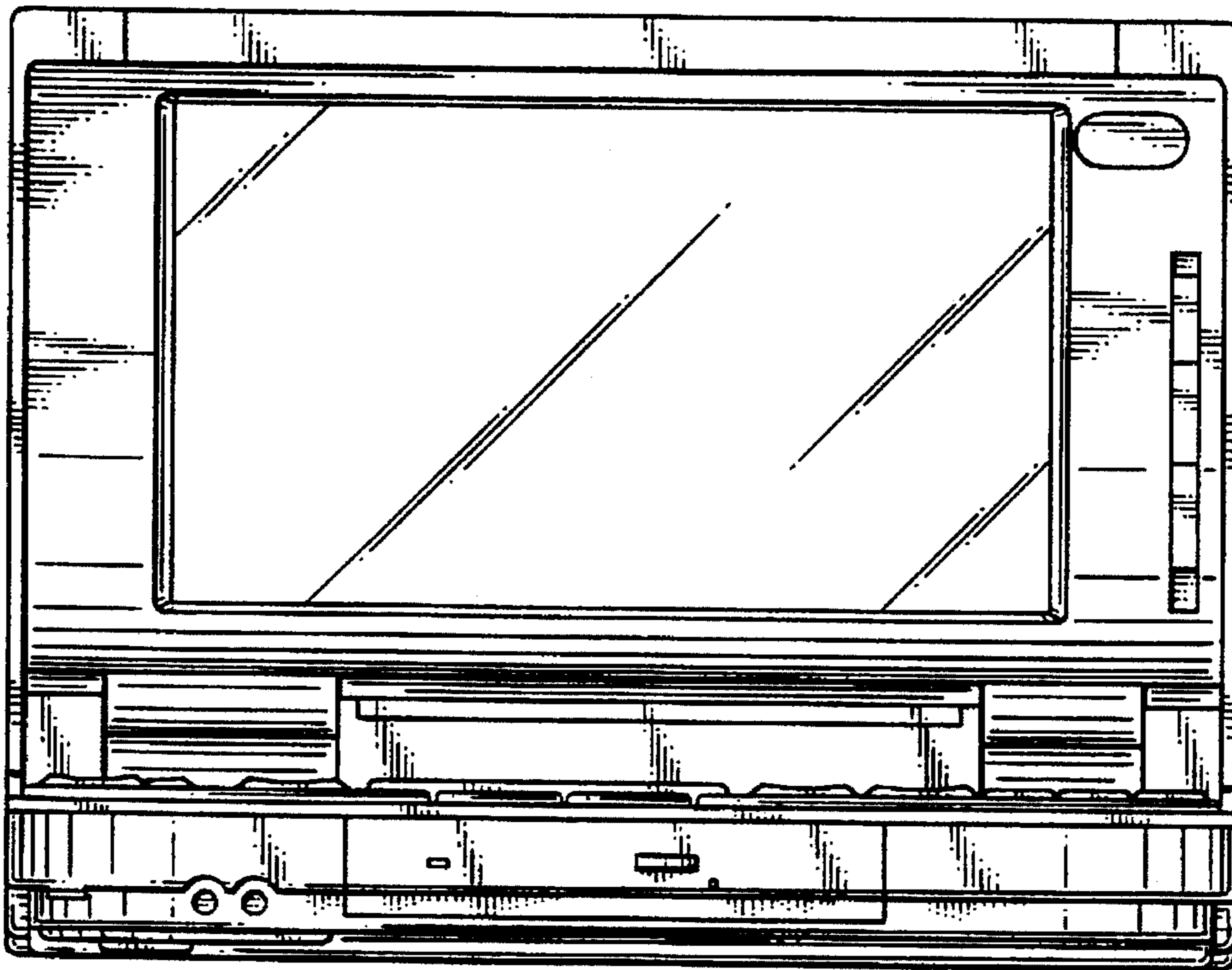
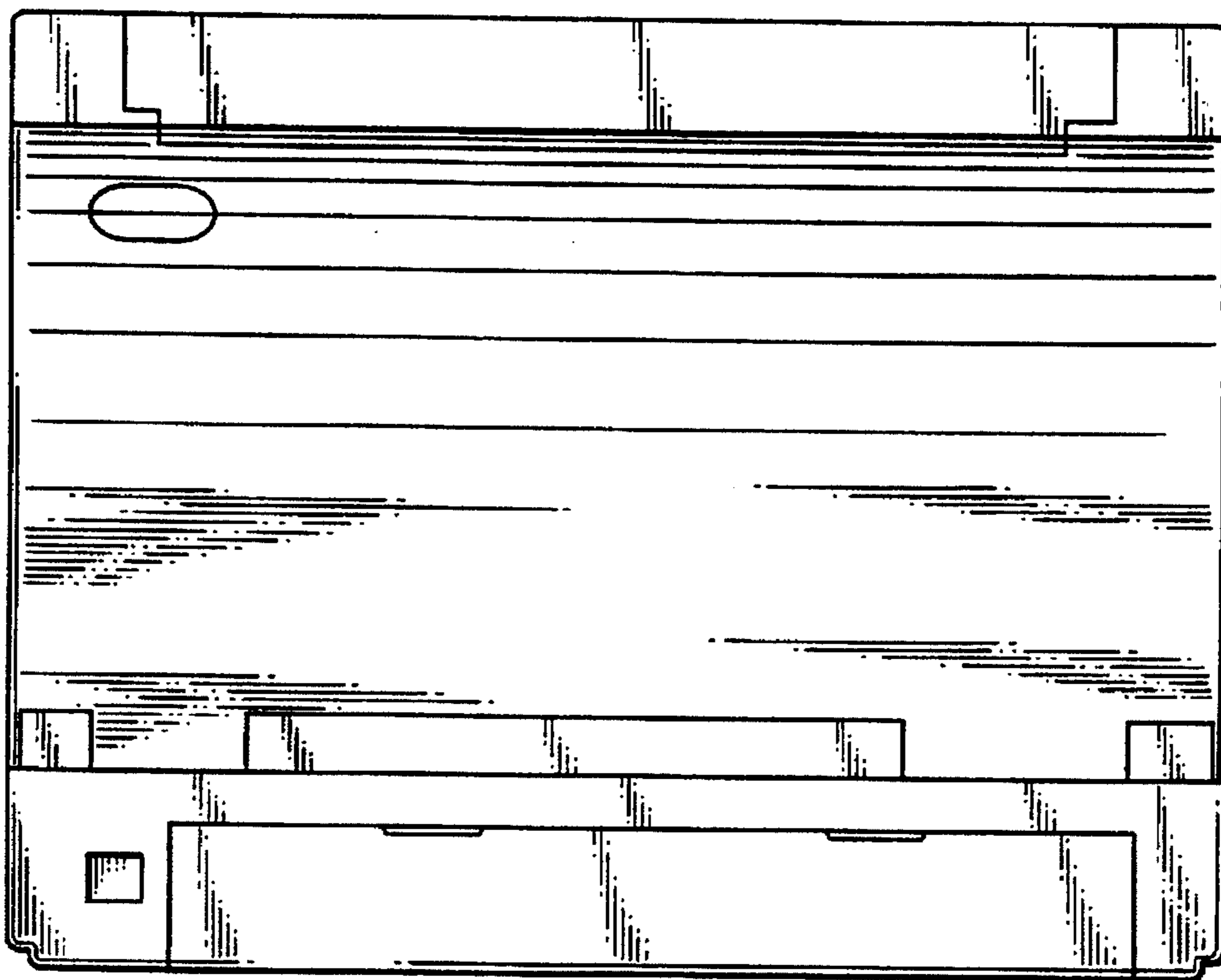


FIG. 1



*FIG. 2*



*FIG. 3*

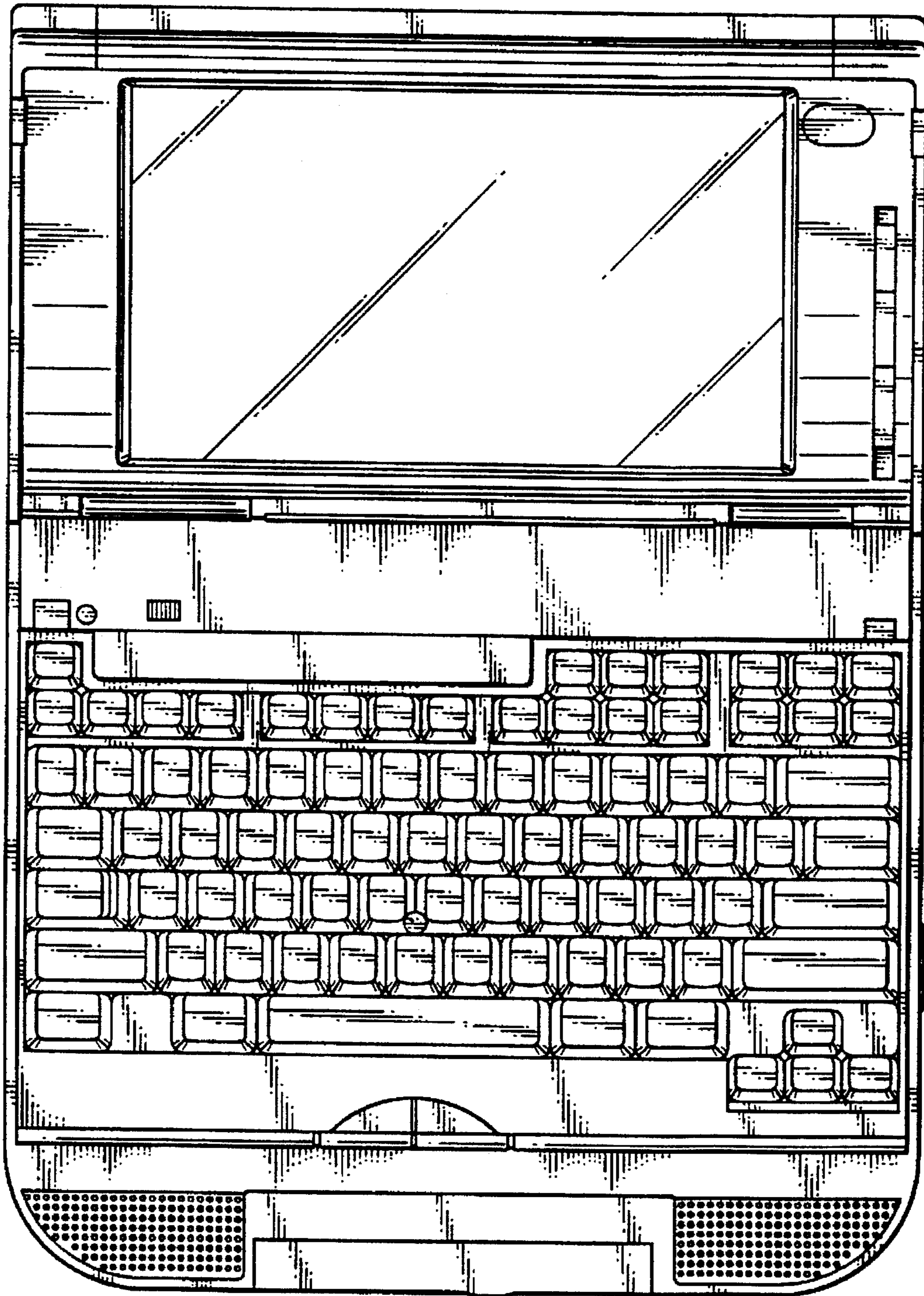
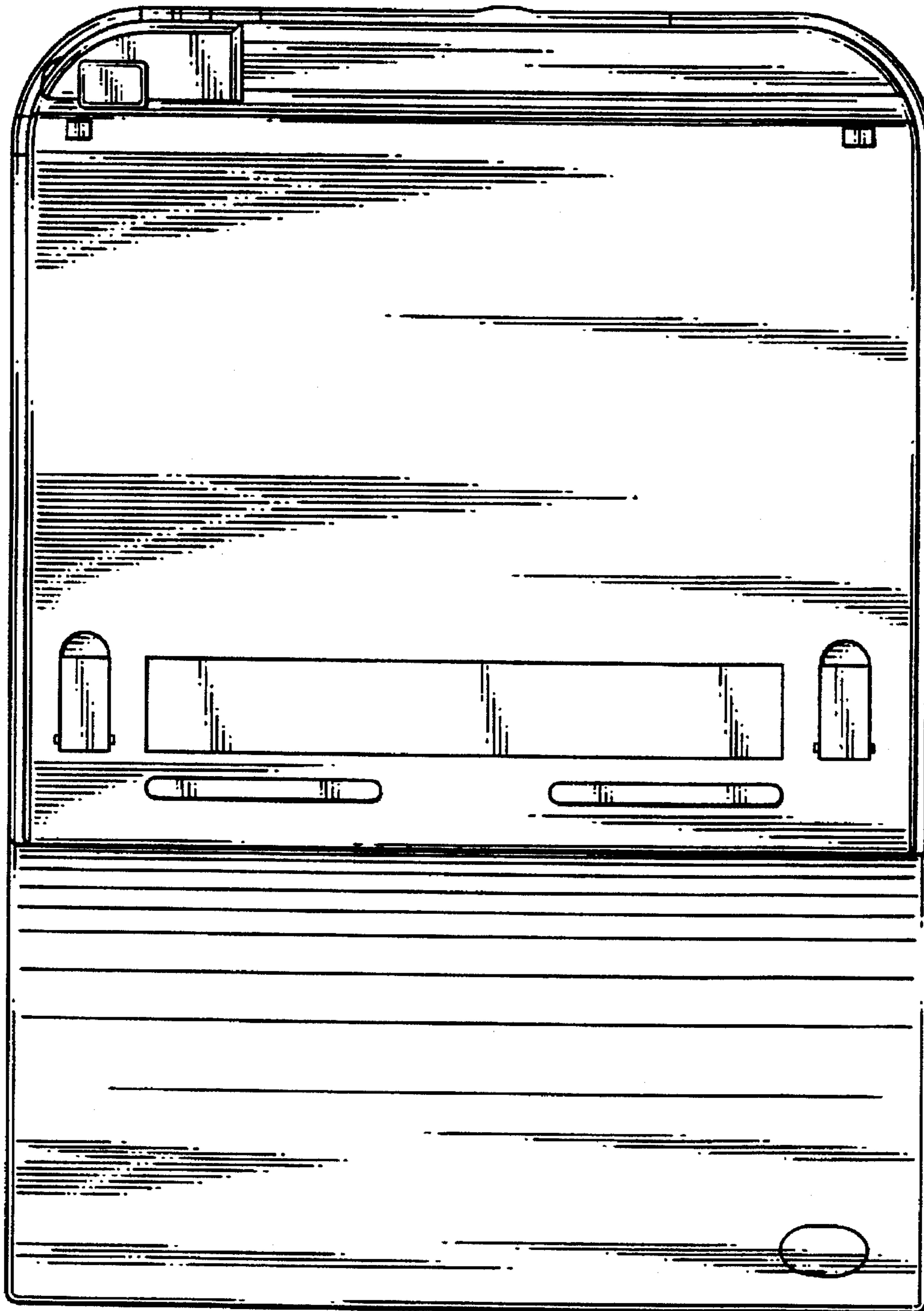
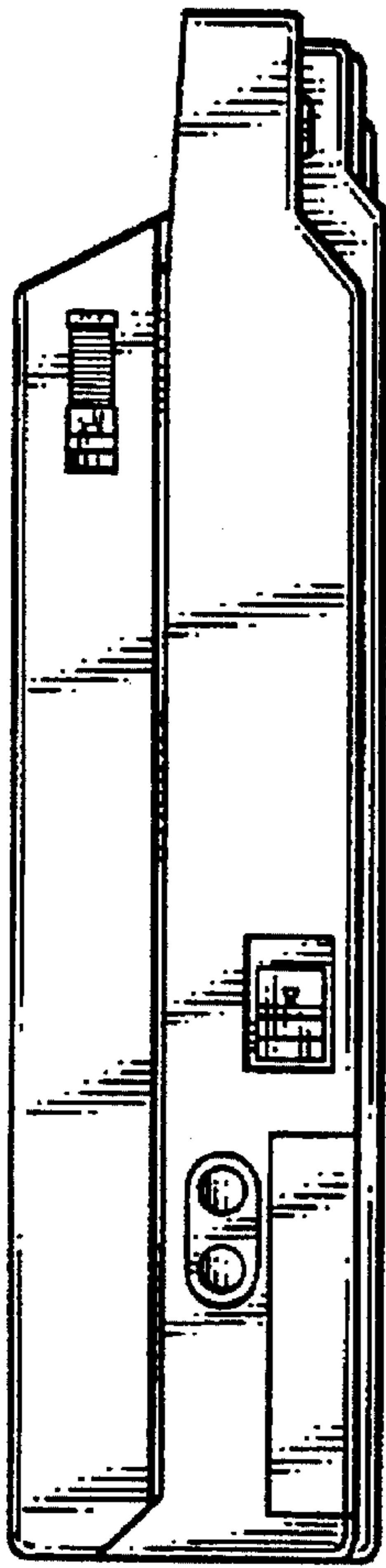


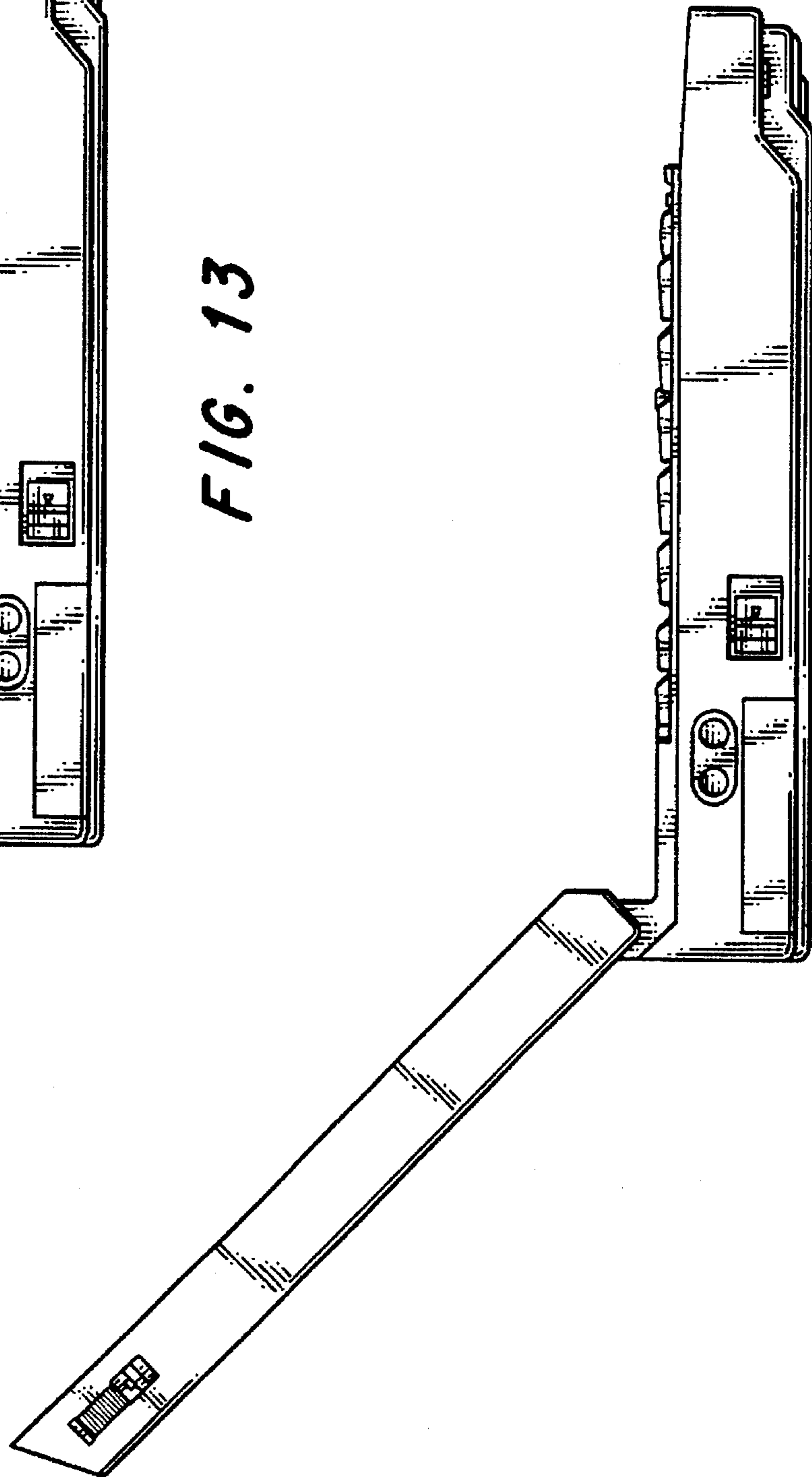
FIG. 4



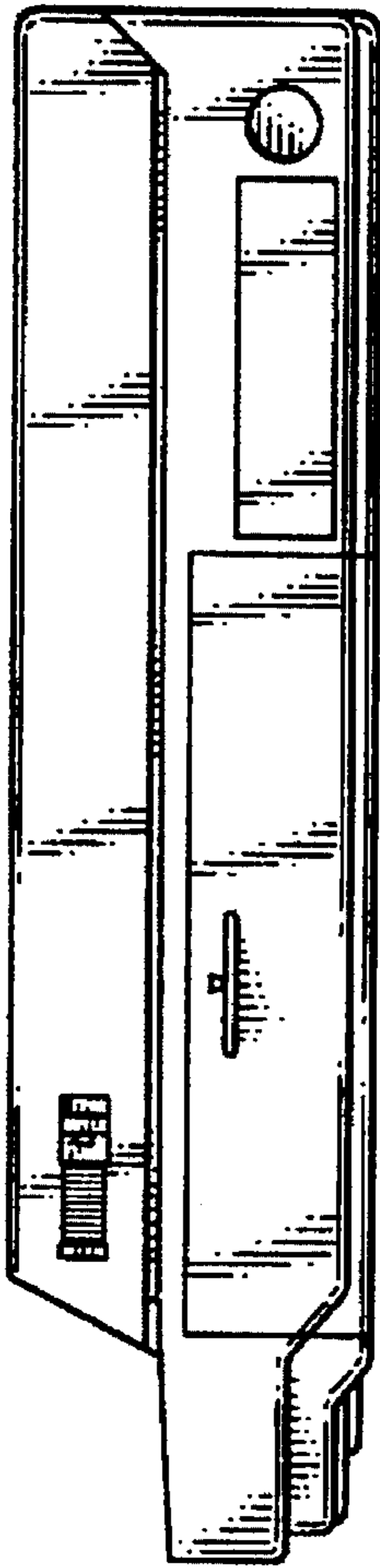
**FIG. 5**



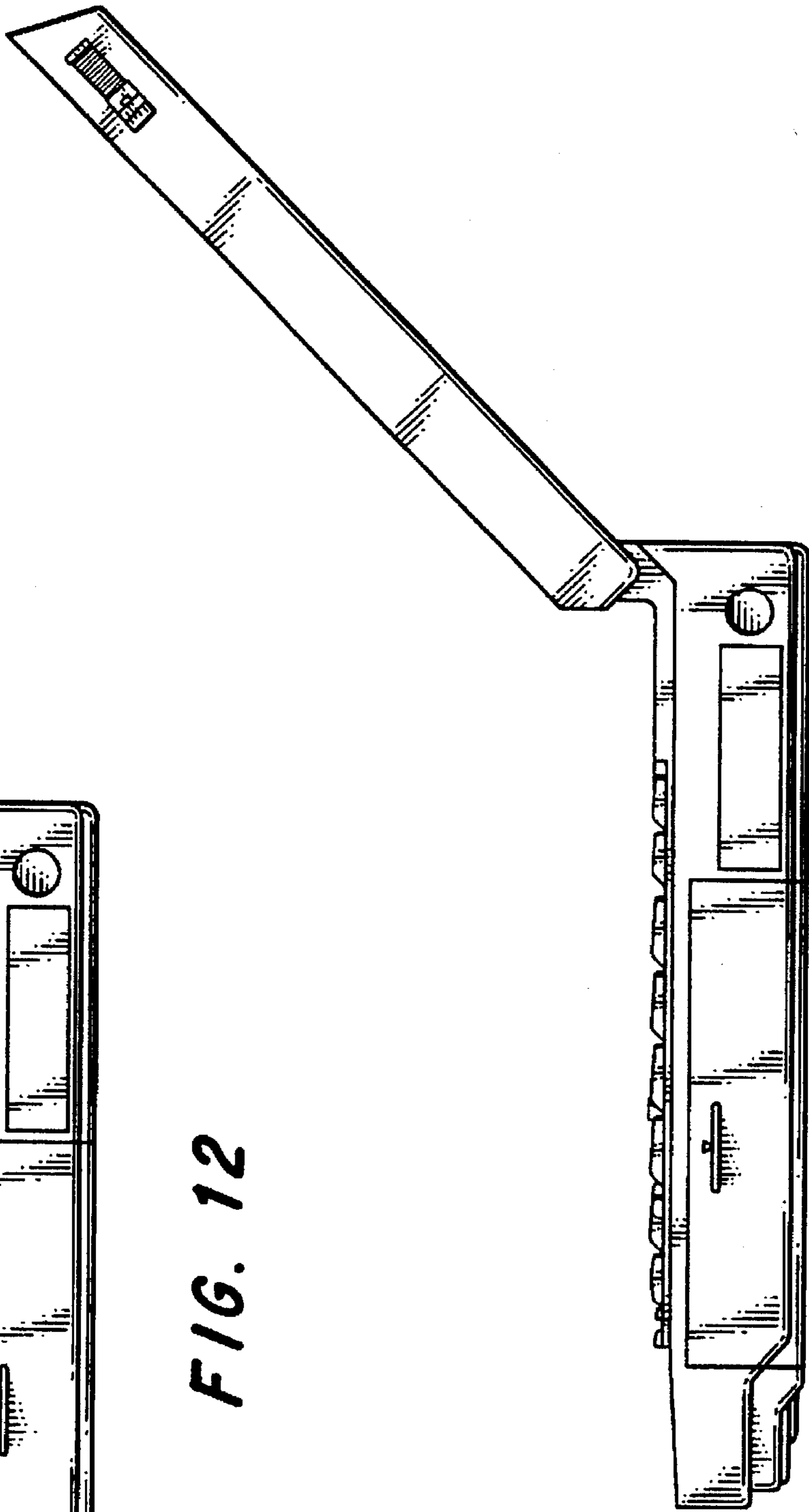
*FIG. 13*



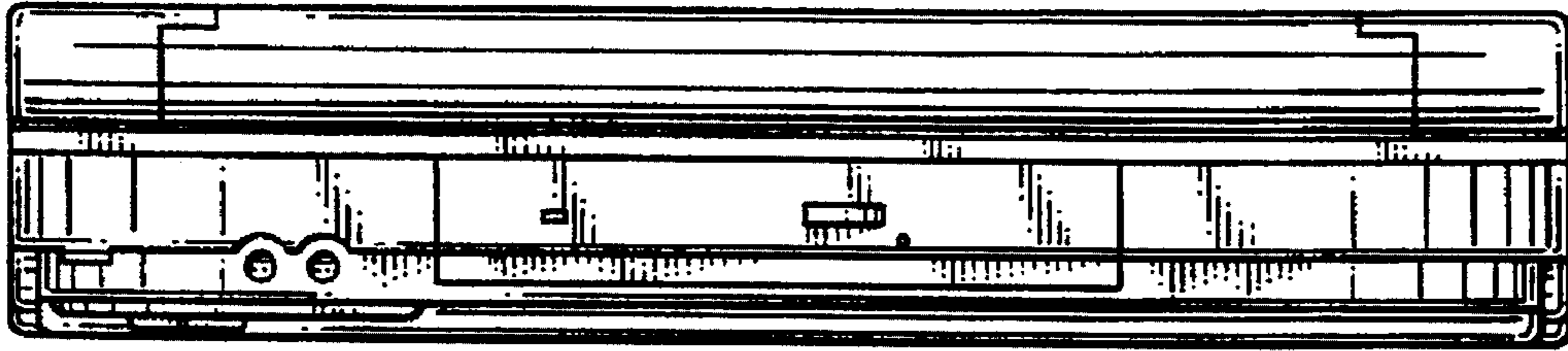
*FIG. 6*



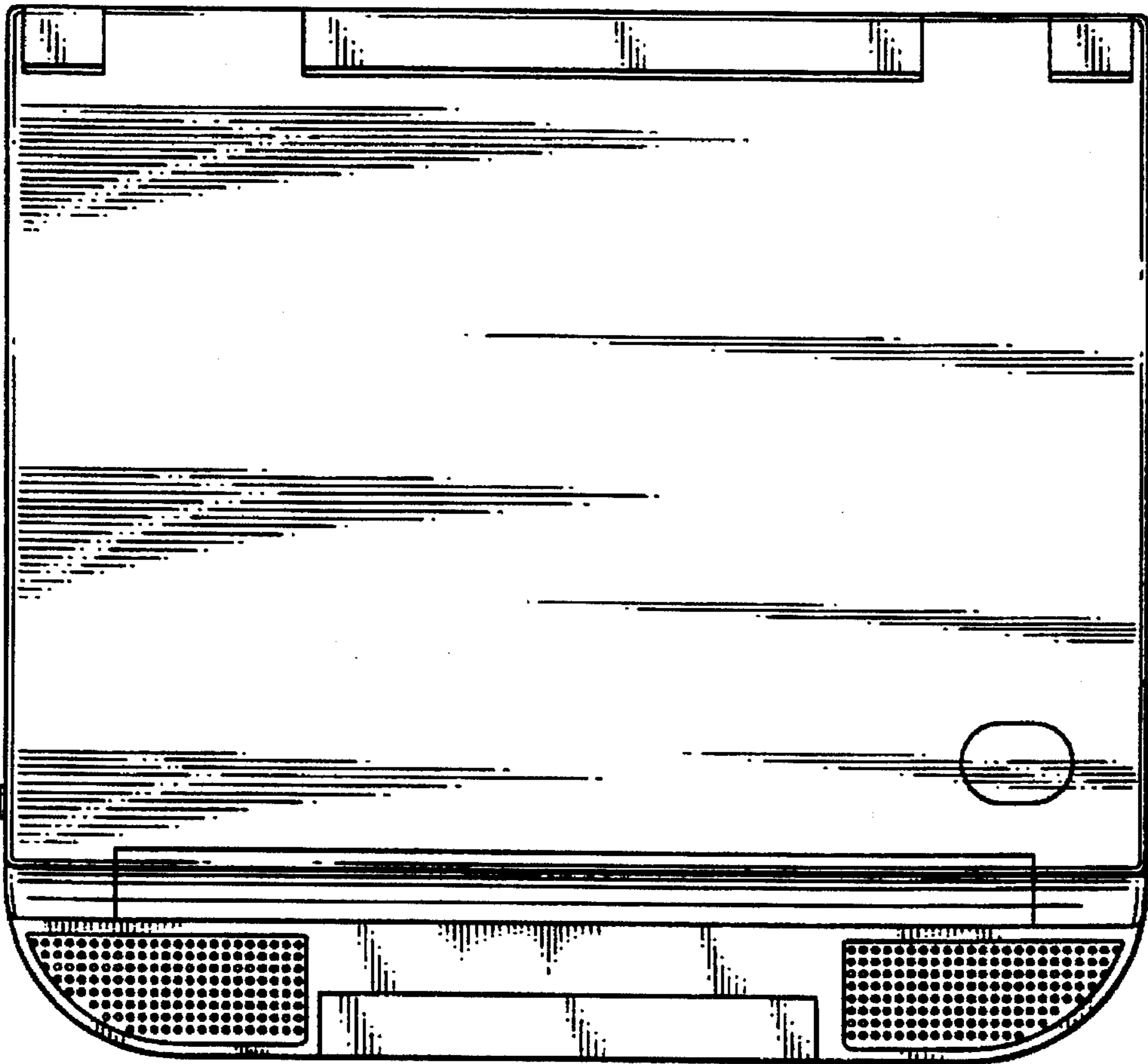
*FIG. 12*



*FIG. 7*

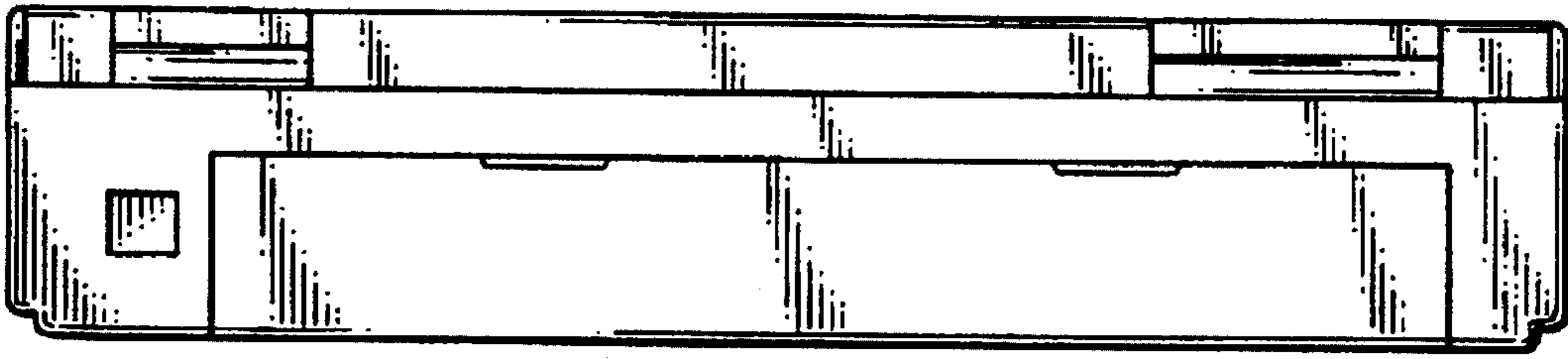


*FIG. 8*

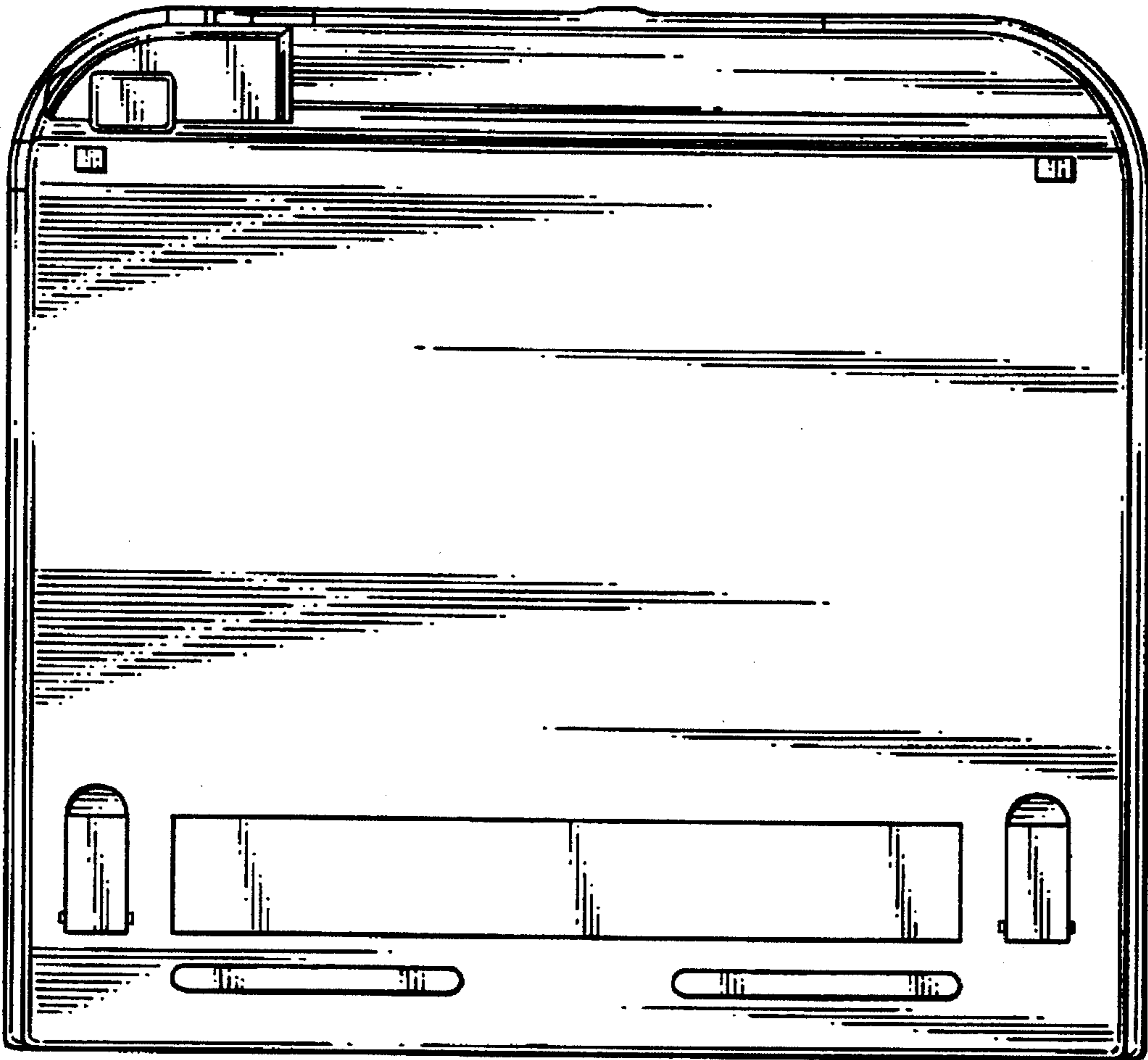


*FIG. 9*





**FIG. 10**



**FIG. 11**