



US00D379803S

United States Patent [19]
Mieki

[11] **Patent Number: Des. 379,803**
[45] **Date of Patent: **Jun. 10, 1997**

[54] **PORTABLE COMPUTER**

[75] **Inventor: Nariaki Mieki, Yokohama, Japan**

[73] **Assignee: International Business Machines Corporation, Armonk, N.Y.**

[**] **Term: 14 Years**

[21] **Appl. No.: 35,463**

[22] **Filed: Feb. 28, 1995**

[30] **Foreign Application Priority Data**

Aug. 31, 1994 [JP] Japan 6-26332

[51] **LOC (6) Cl. 14-02**

[52] **U.S. Cl. D14/106**

[58] **Field of Search D14/100, 101, D14/106, 113, 115, 124-129, 172, 194; D18/1, 2, 7; 235/145 A, 145 R; 341/22, 23; 345/104, 156, 168, 173, 901-905; 361/679-686; 364/708.1, 709.04, 709.12; 400/486, 489**

[56] **References Cited**

U.S. PATENT DOCUMENTS

- D. 339,112 9/1993 Foy et al. D14/106
- D. 363,471 10/1995 Shima et al. D14/106
- D. 364,150 11/1995 Mieki D14/106

Primary Examiner—Freda Nunn
Attorney, Agent, or Firm—Martin J. McKinley; Andrew J. Dillon

[57] **CLAIM**

The ornamental design for a portable computer, as shown and described.

DESCRIPTION

FIG. 1 is a perspective view of the portable computer of the present invention, illustrating our new design;

FIG. 2 is a front elevation view of the portable computer of the present invention depicting a cover of the portable computer in an open position;

FIG. 3 is a rear elevation view of the portable computer of the present invention, illustrating the cover in an open position;

FIG. 4 is a top plan view thereof, illustrating the cover in an open position;

FIG. 5 is a bottom plan view thereof, depicting the cover in an open position;

FIG. 6 is a left side elevation view thereof, illustrating the cover in an open position;

FIG. 7 is a right side elevation view thereof, depicting the cover in an open position;

FIG. 8 is a front elevation view thereof, illustrating the cover in a closed position;

FIG. 9 is a rear elevation view thereof, illustrating the cover in a closed position;

FIG. 10 is a top plan view thereof, depicting the cover in a closed position;

FIG. 11 is a bottom plan view thereof;

FIG. 12 is a left side elevation view thereof, illustrating the cover in a closed position;

FIG. 13 is a right side elevation view, depicting the cover in a closed position;

FIG. 14 is a front elevation view thereof, illustrating a palm rest of the portable computer retracted within a body of the portable computer;

FIG. 15 is a rear elevation view thereof;

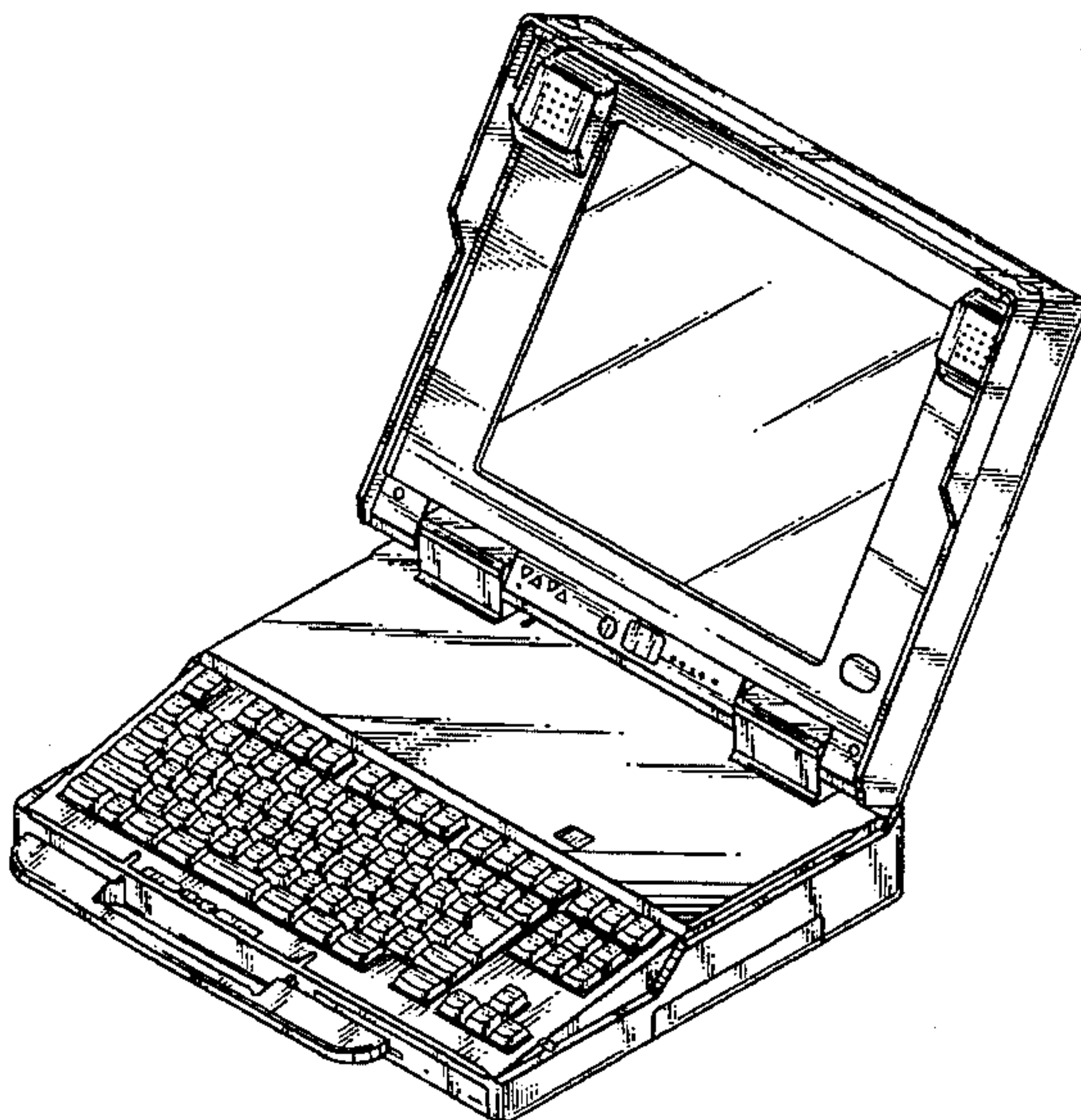
FIG. 16 is a top plan view thereof, illustrating the palm rest in a retracted position;

FIG. 17 is a bottom plan view thereof, depicting the palm rest in a retracted position;

FIG. 18 is a left side elevation view thereof, illustrating the palm rest in a retracted position; and,

FIG. 19 is a right side elevation view thereof, depicting the palm rest in a retracted position.

1 Claim, 8 Drawing Sheets



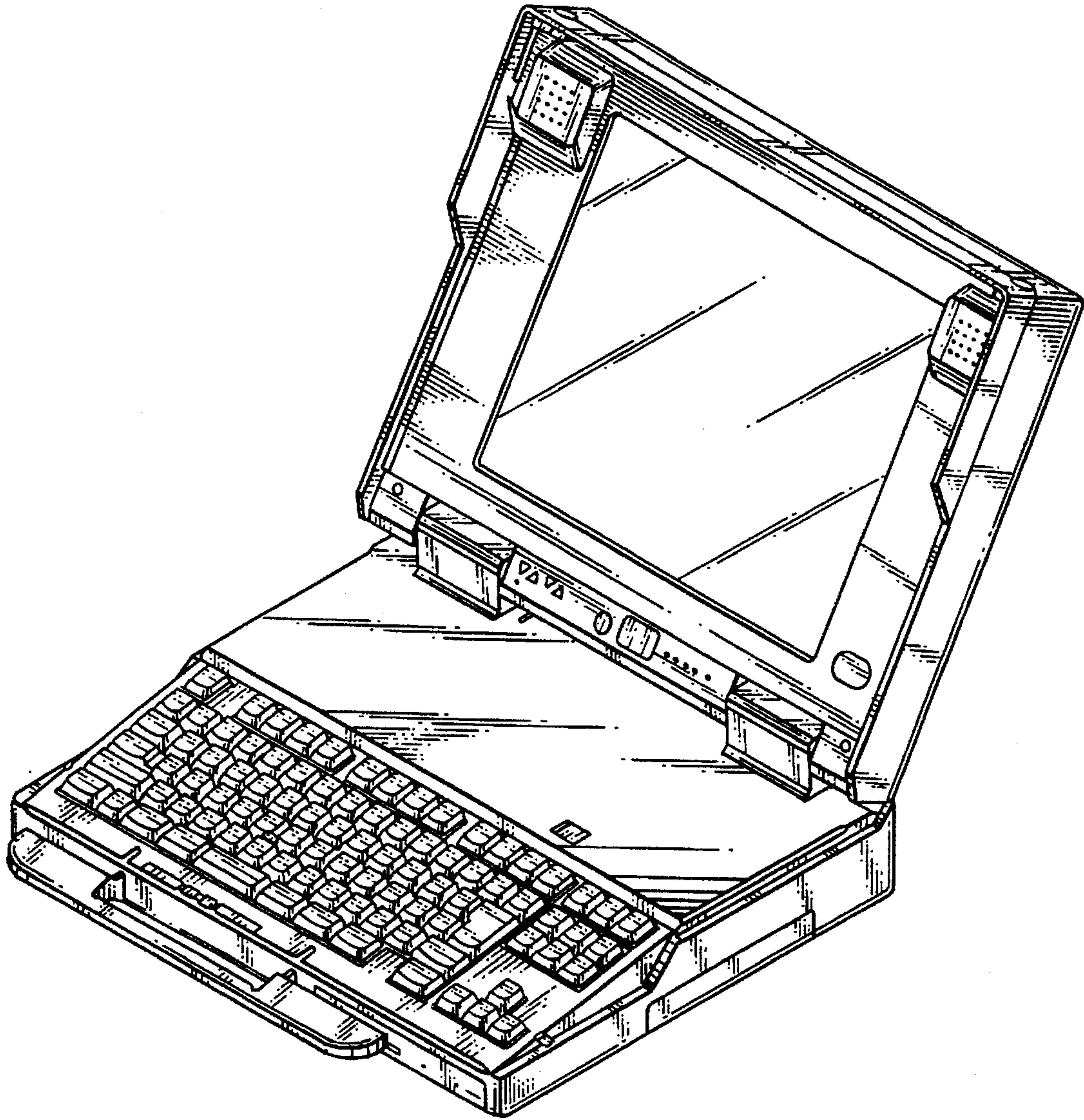


FIG. 1

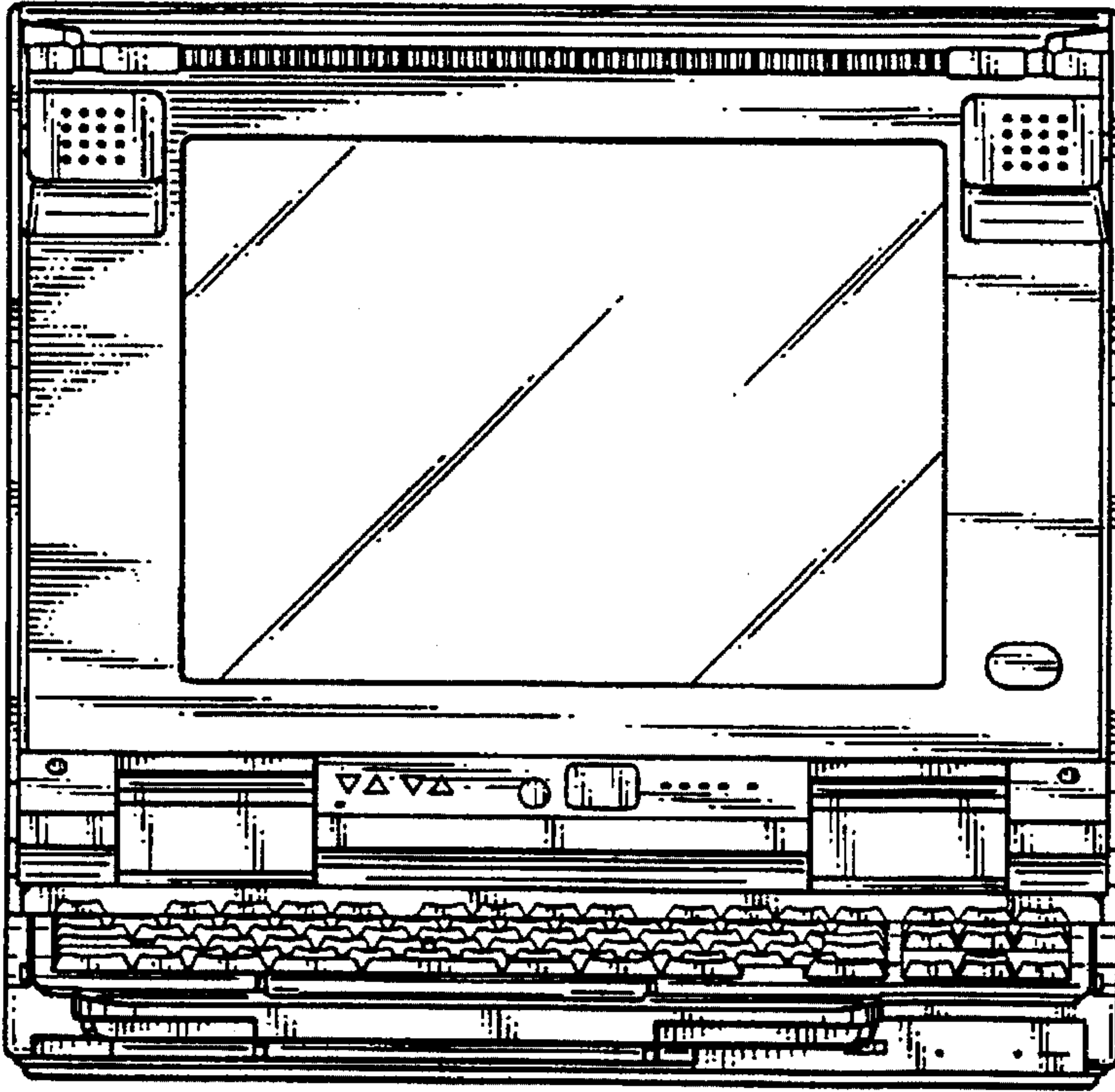


FIG. 2

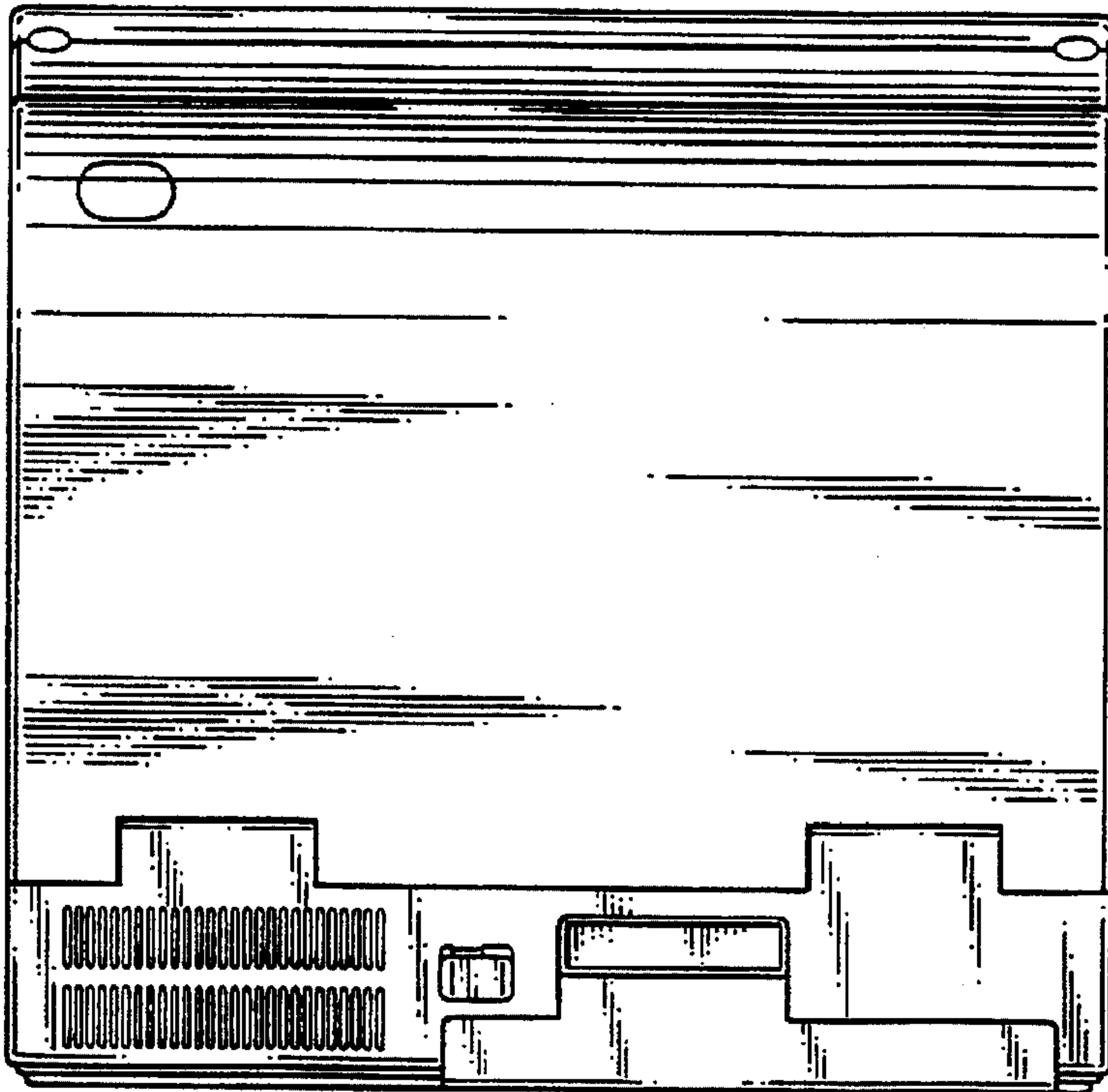


FIG. 3

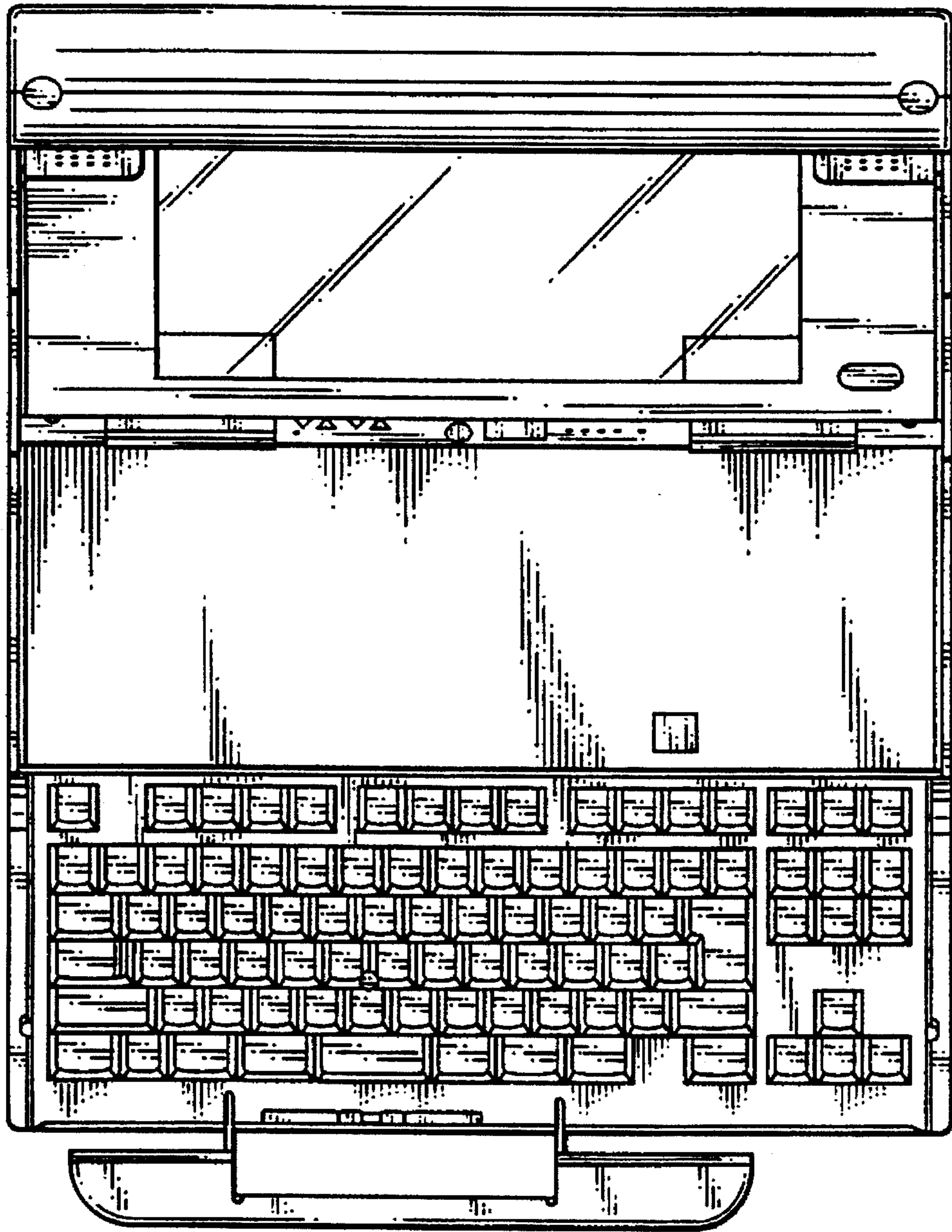


FIG. 4

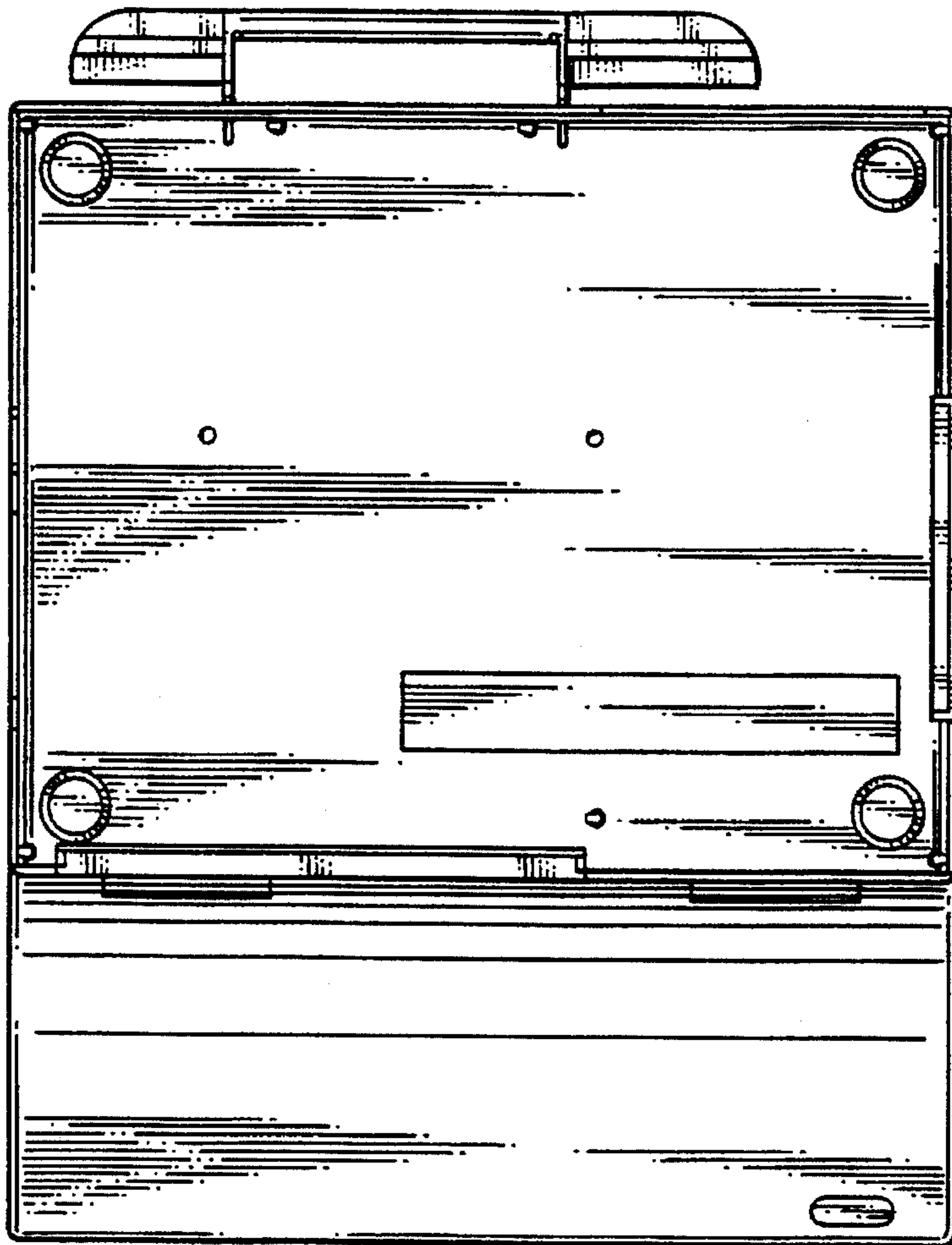


FIG. 5

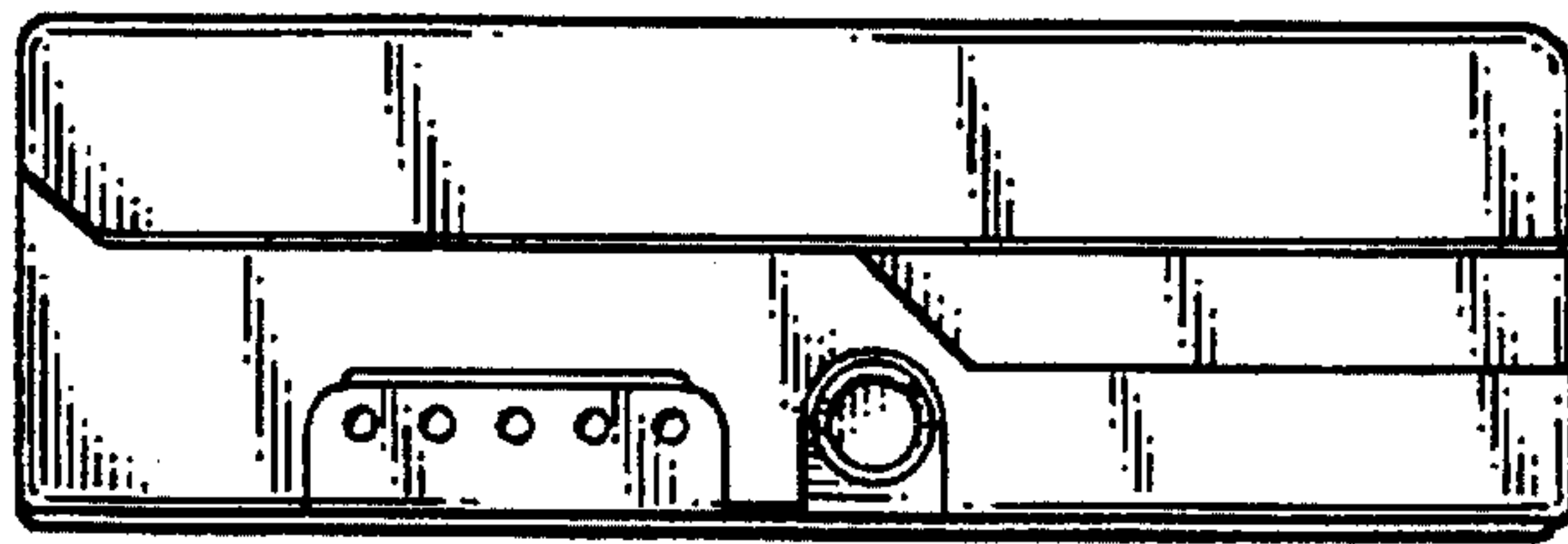


FIG. 18

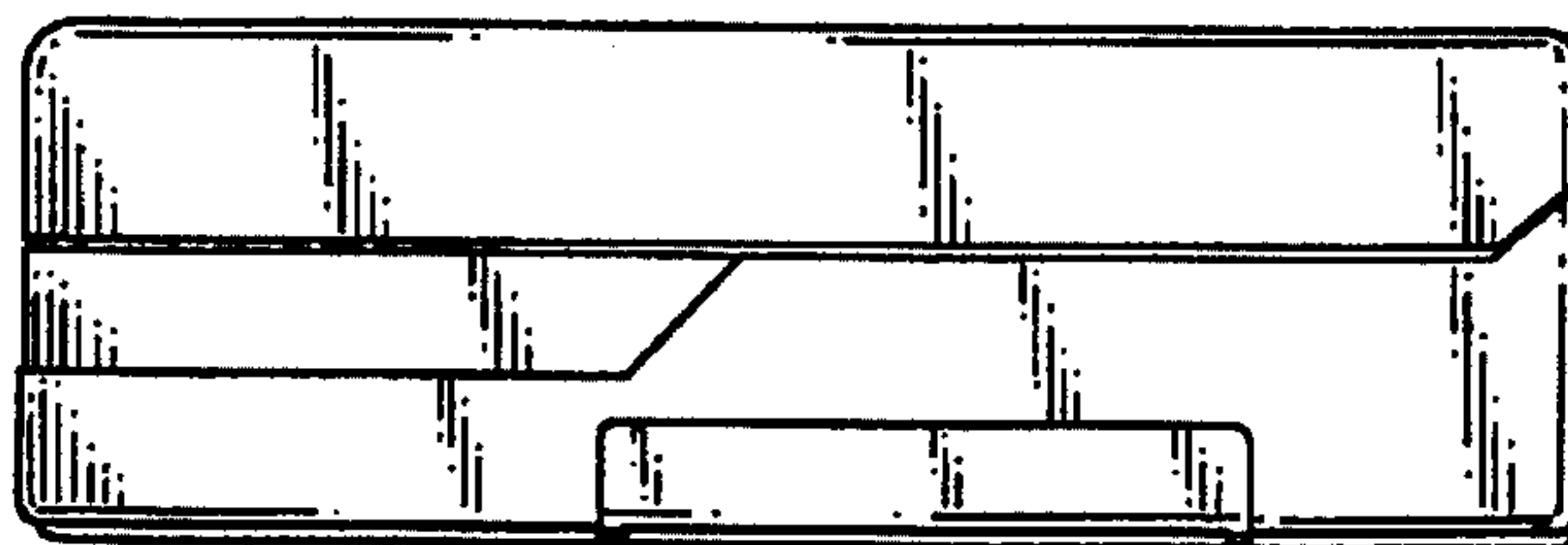
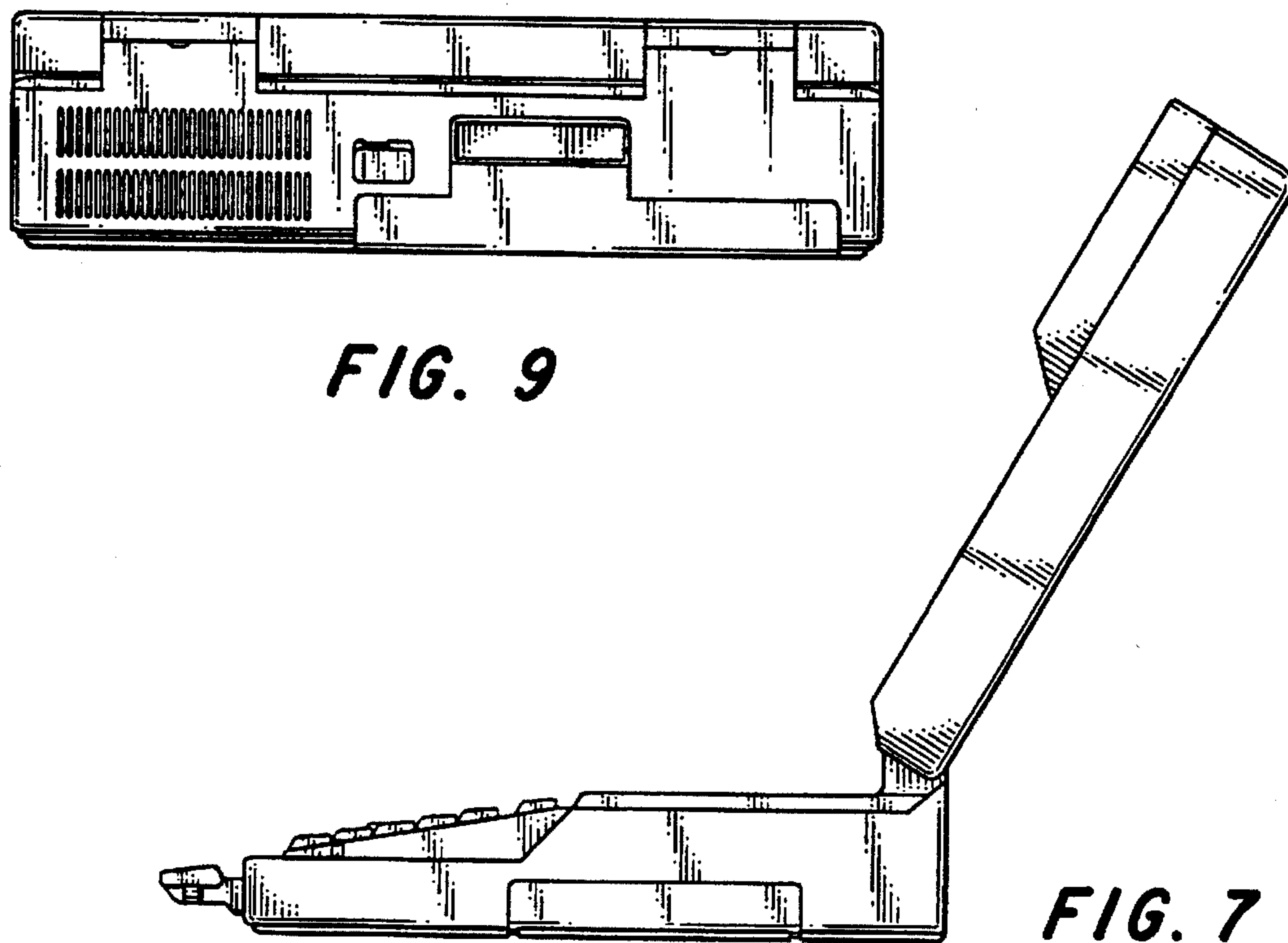
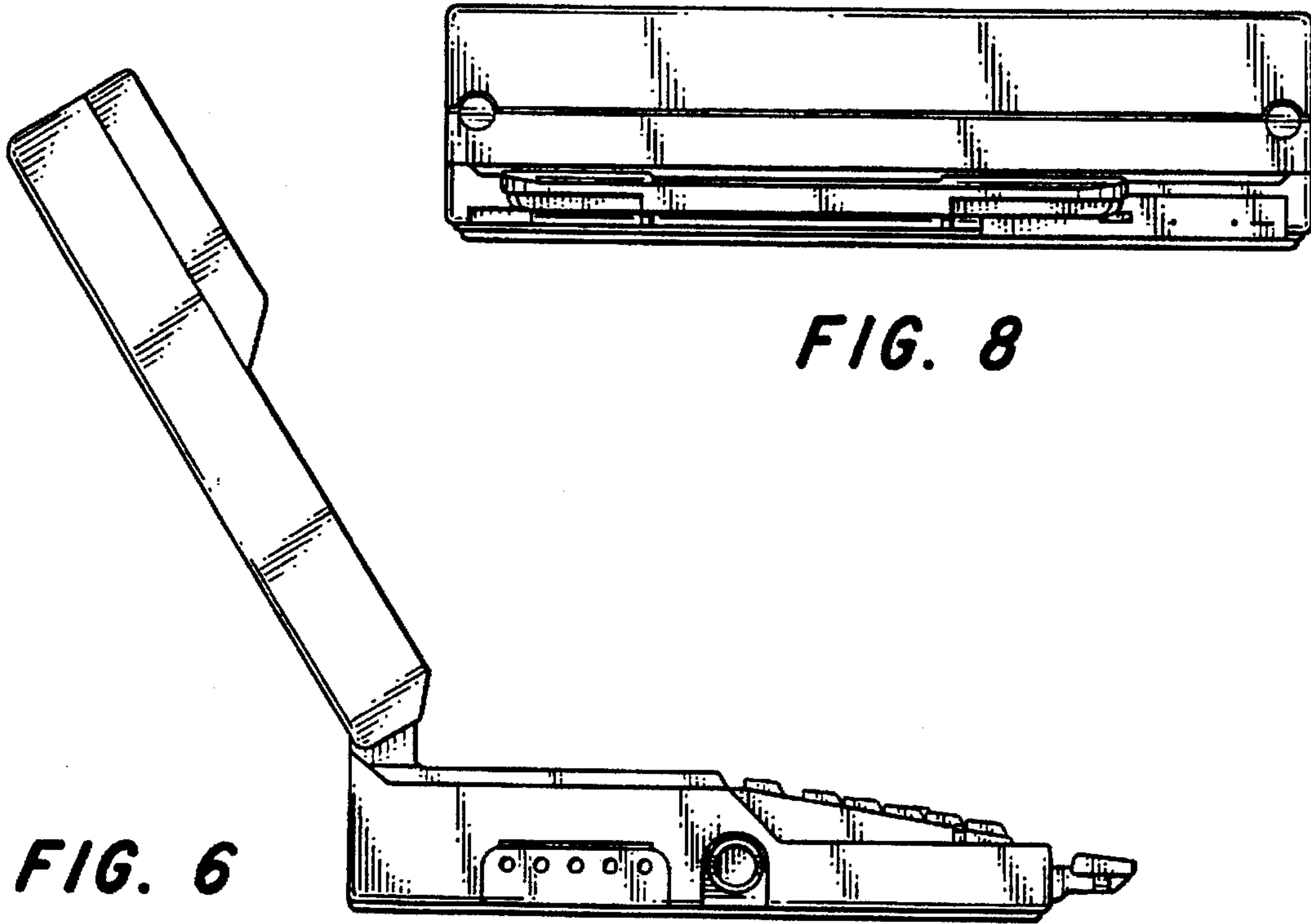


FIG. 19



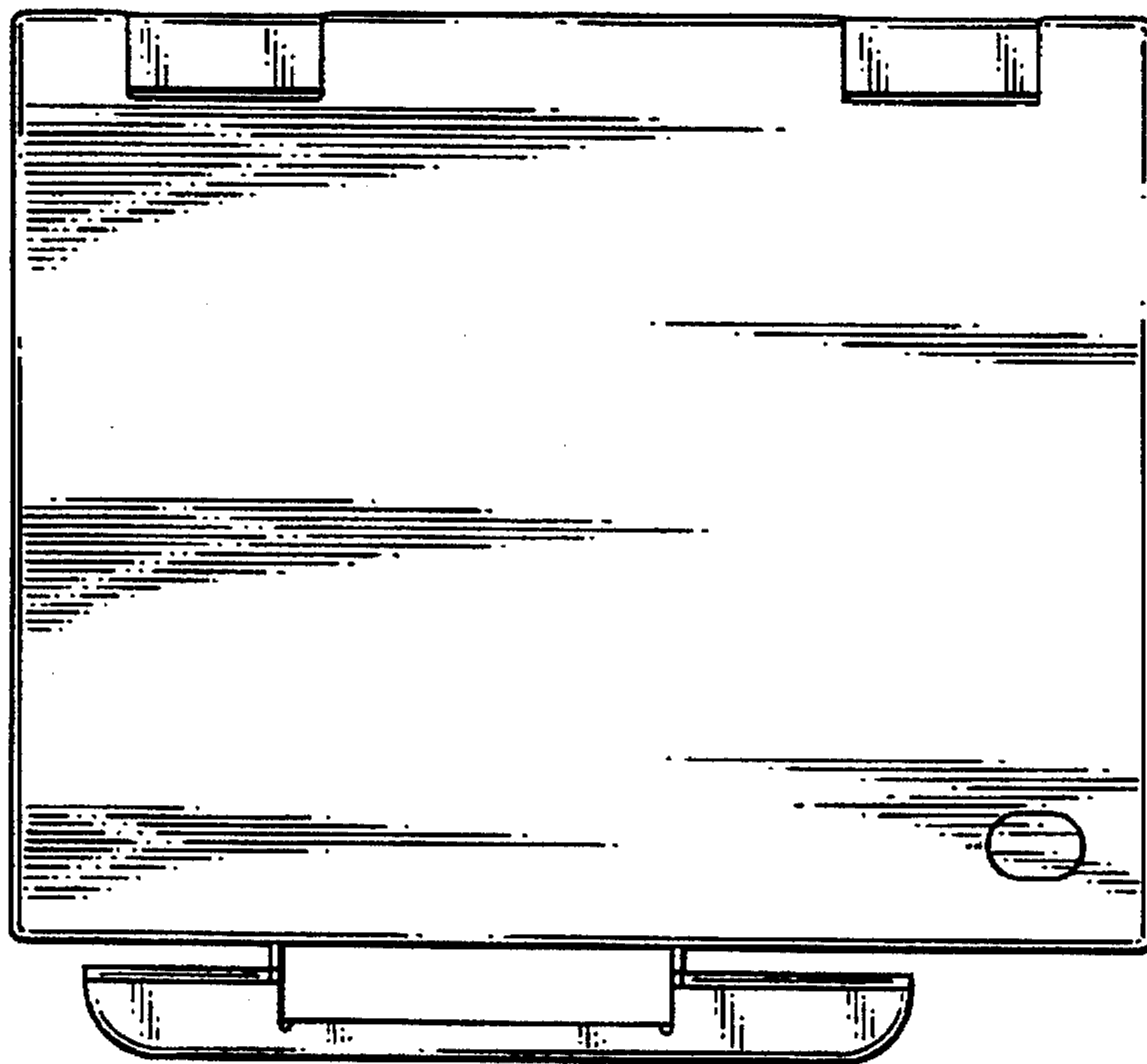


FIG. 10

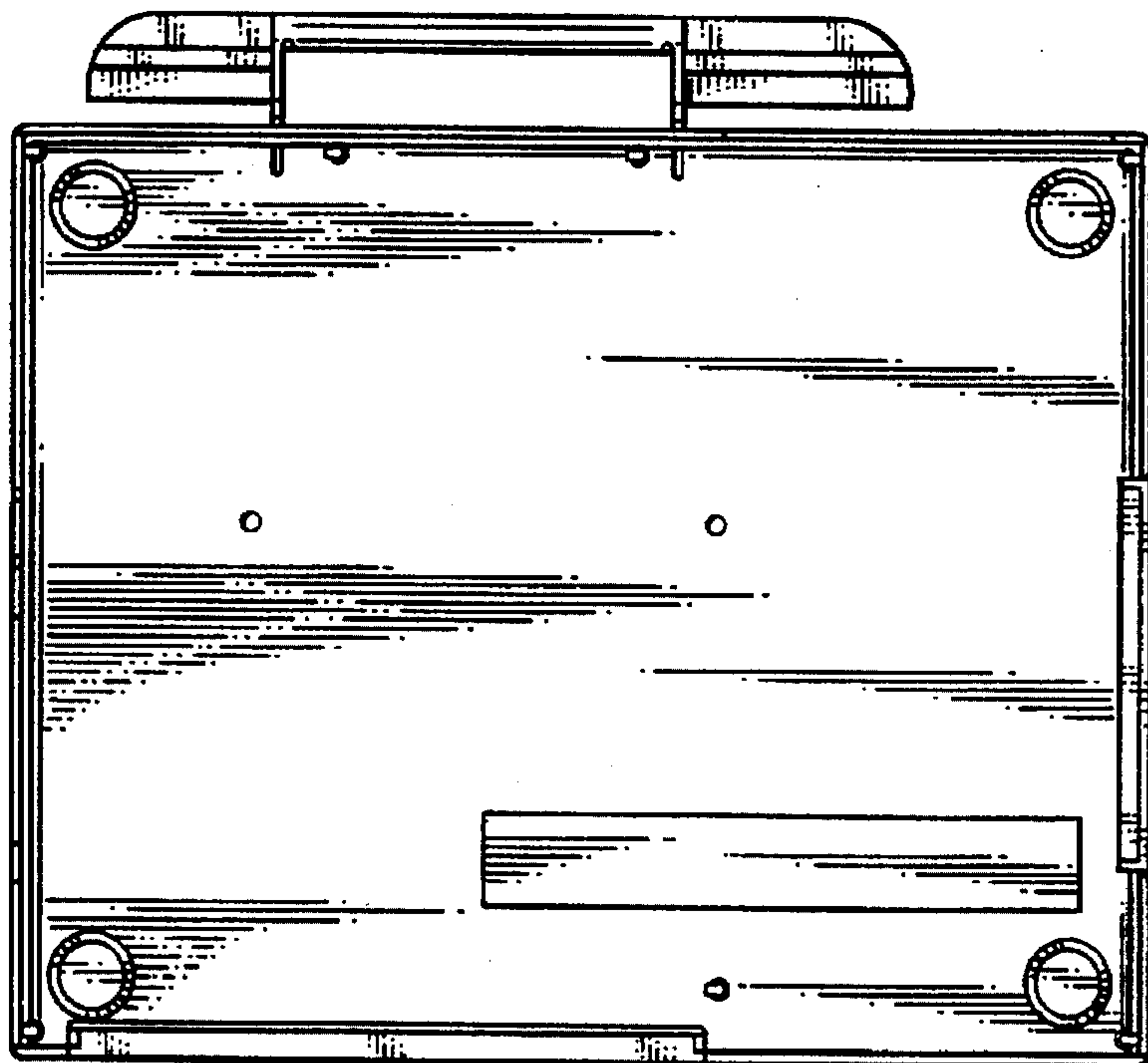


FIG. 11

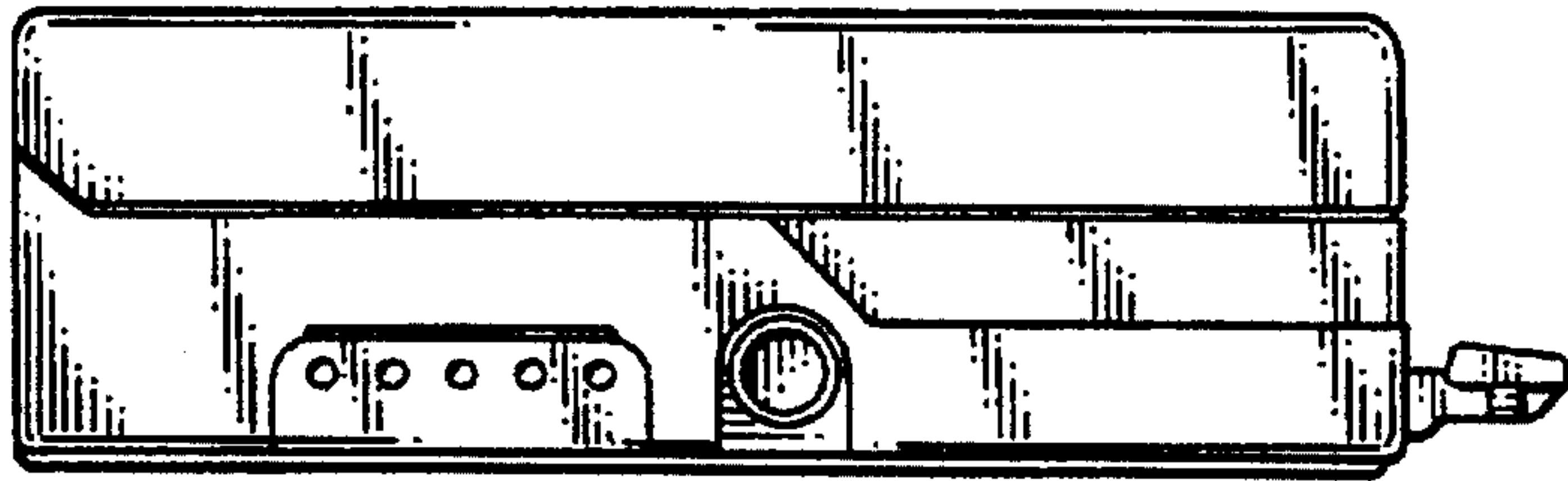


FIG. 12

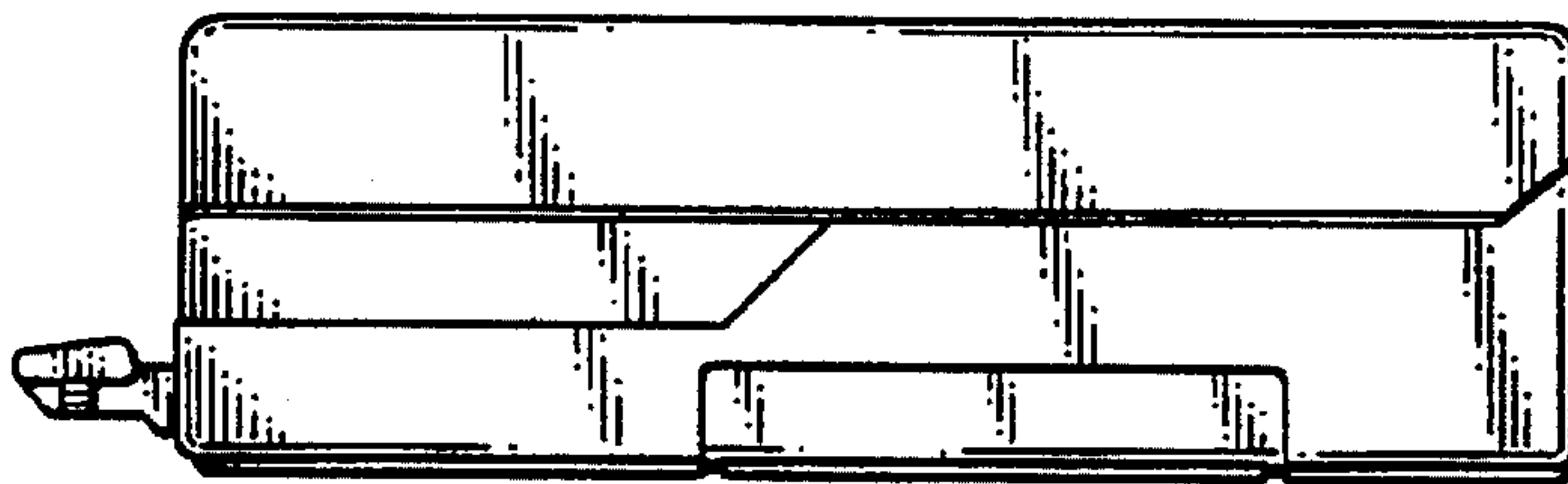


FIG. 13

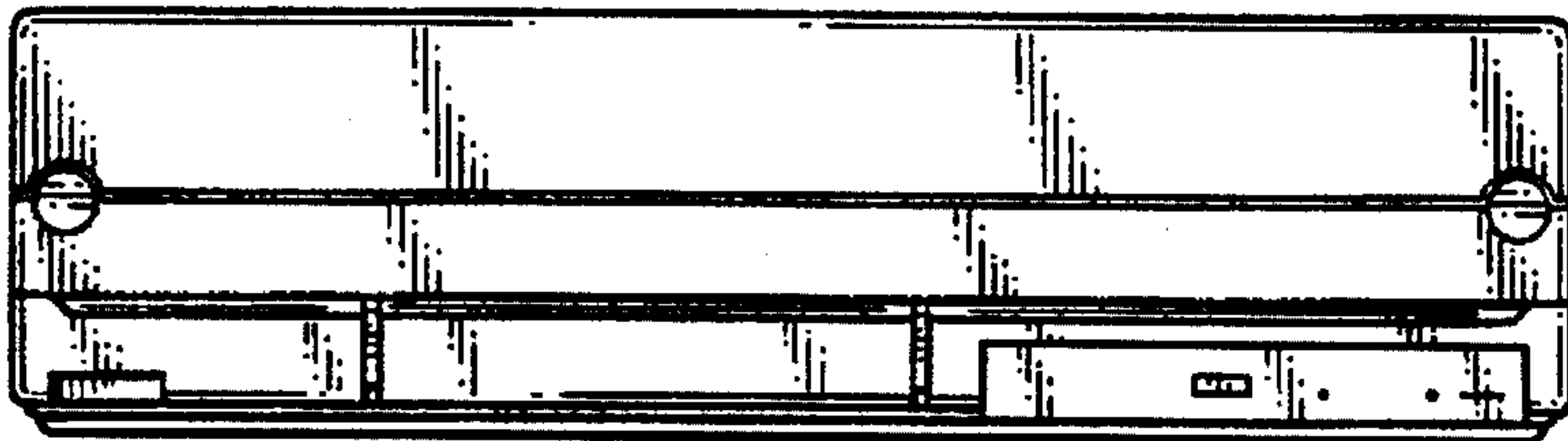


FIG. 14

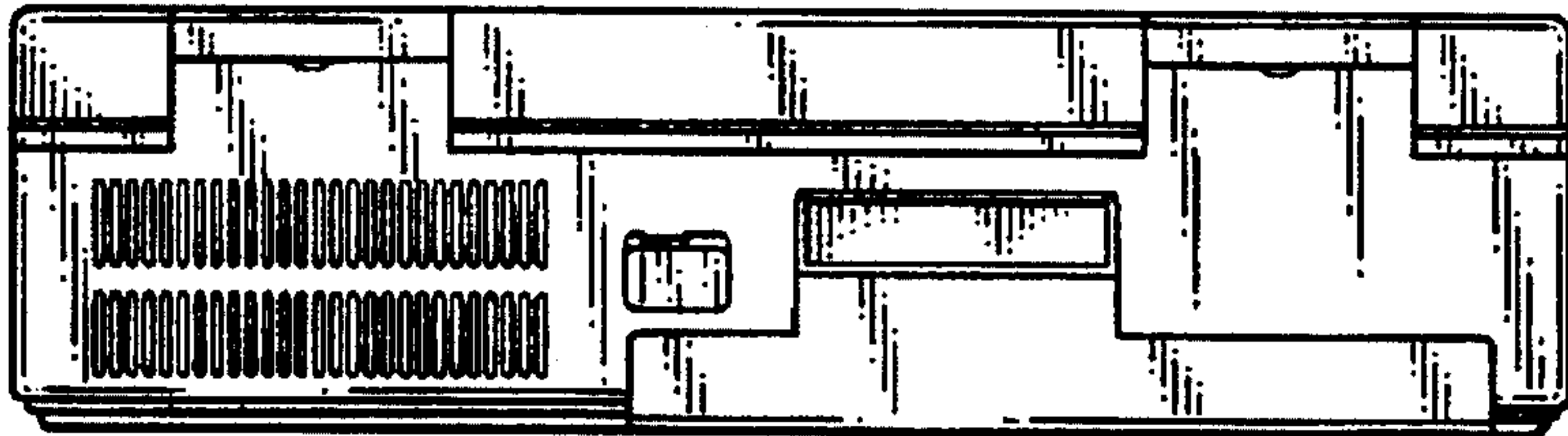


FIG. 15

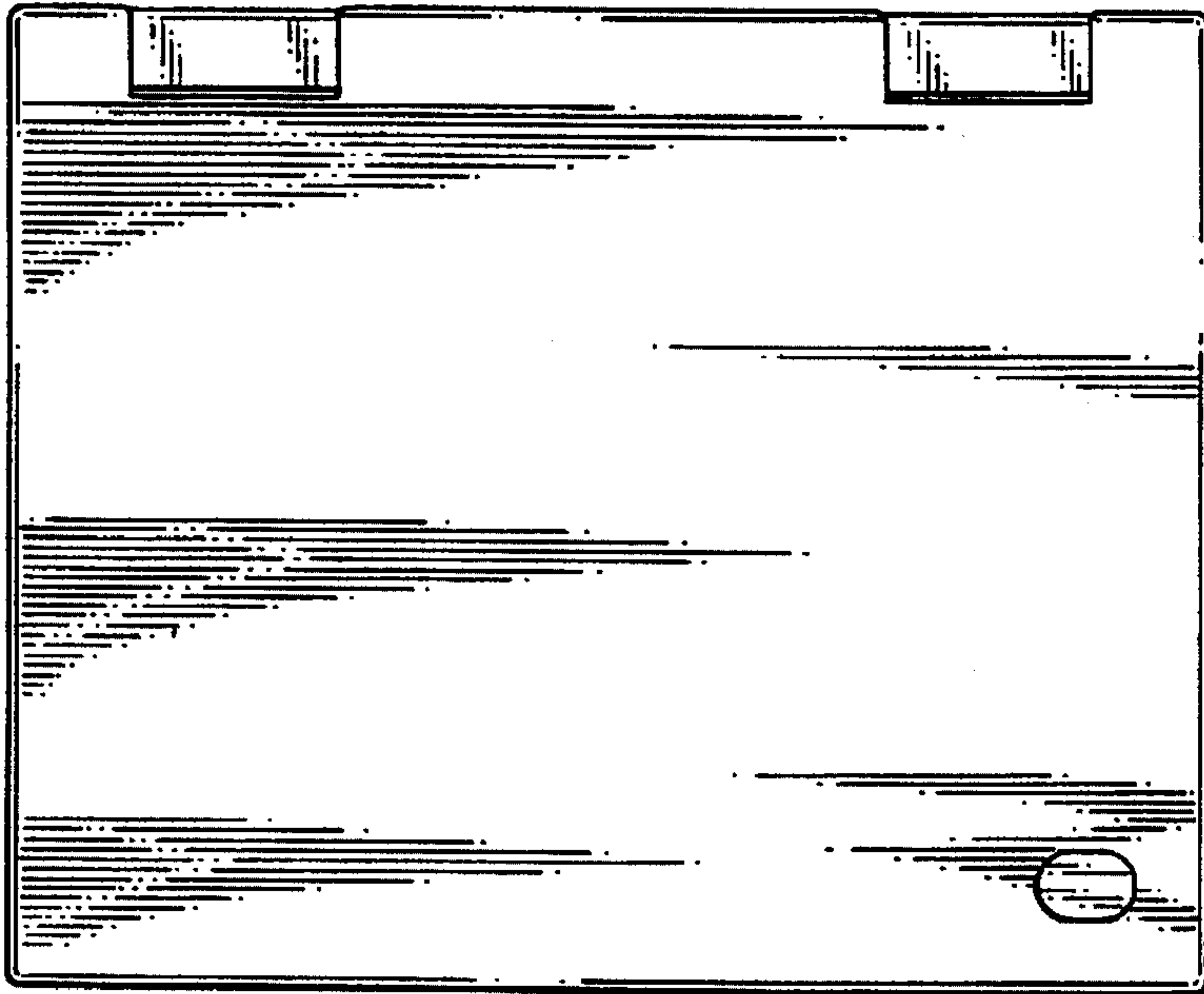


FIG. 16

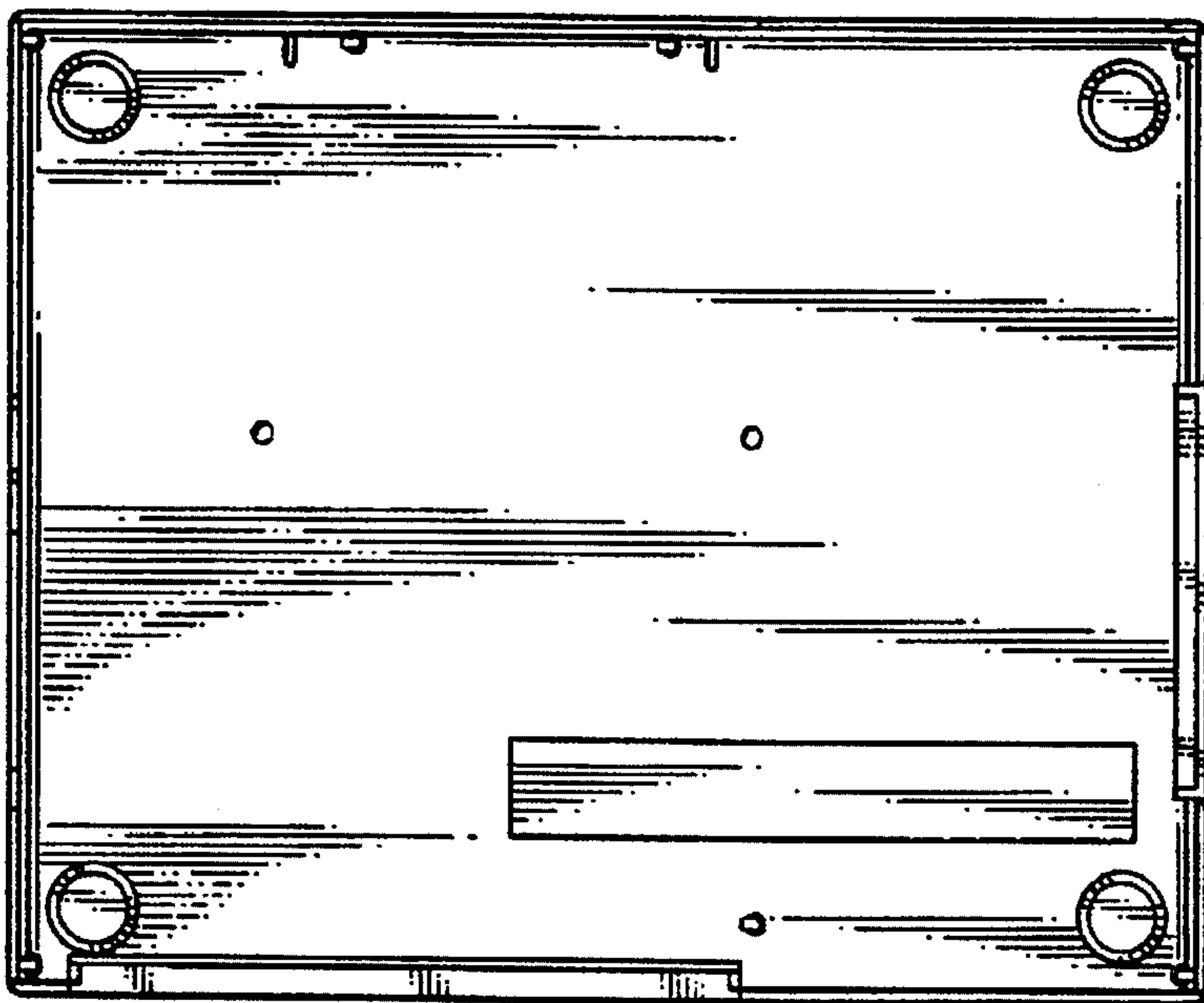


FIG. 17