



US00D379796S

# United States Patent [19]

Bagga

[11] Patent Number: **Des. 379,796**

[45] Date of Patent: **\*\*Jun. 10, 1997**

[54] **QUADRIplex RECEPTACLE DESIGN**

[75] Inventor: **Harcharan S. Bagga**, Bronx, N.Y.

[73] Assignee: **Leviton Manufacturing Co., Inc.**,  
Little Neck, N.Y.

[\*\*] Term: **14 Years**

[21] Appl. No.: **34,784**

[22] Filed: **Feb. 10, 1995**

[51] LOC (6) Cl. .... **13-03**

[52] U.S. Cl. .... **D13/143**

[58] Field of Search ..... **D13/137, 143,**  
**D13/152; 439/535, 536, 538; 174/48, 49;**  
**361/614**

[56] **References Cited**

**U.S. PATENT DOCUMENTS**

D. 313,394	1/1991	Berlin	.....	D13/137 X
5,057,647	10/1991	Bogden et al.	.....	174/48
5,109,316	4/1992	Murphy	.....	361/643
5,135,411	8/1992	Wiley et al.	.....	439/535

*Primary Examiner*—Joel Sincavage  
*Attorney, Agent, or Firm*—Paul J. Sutton

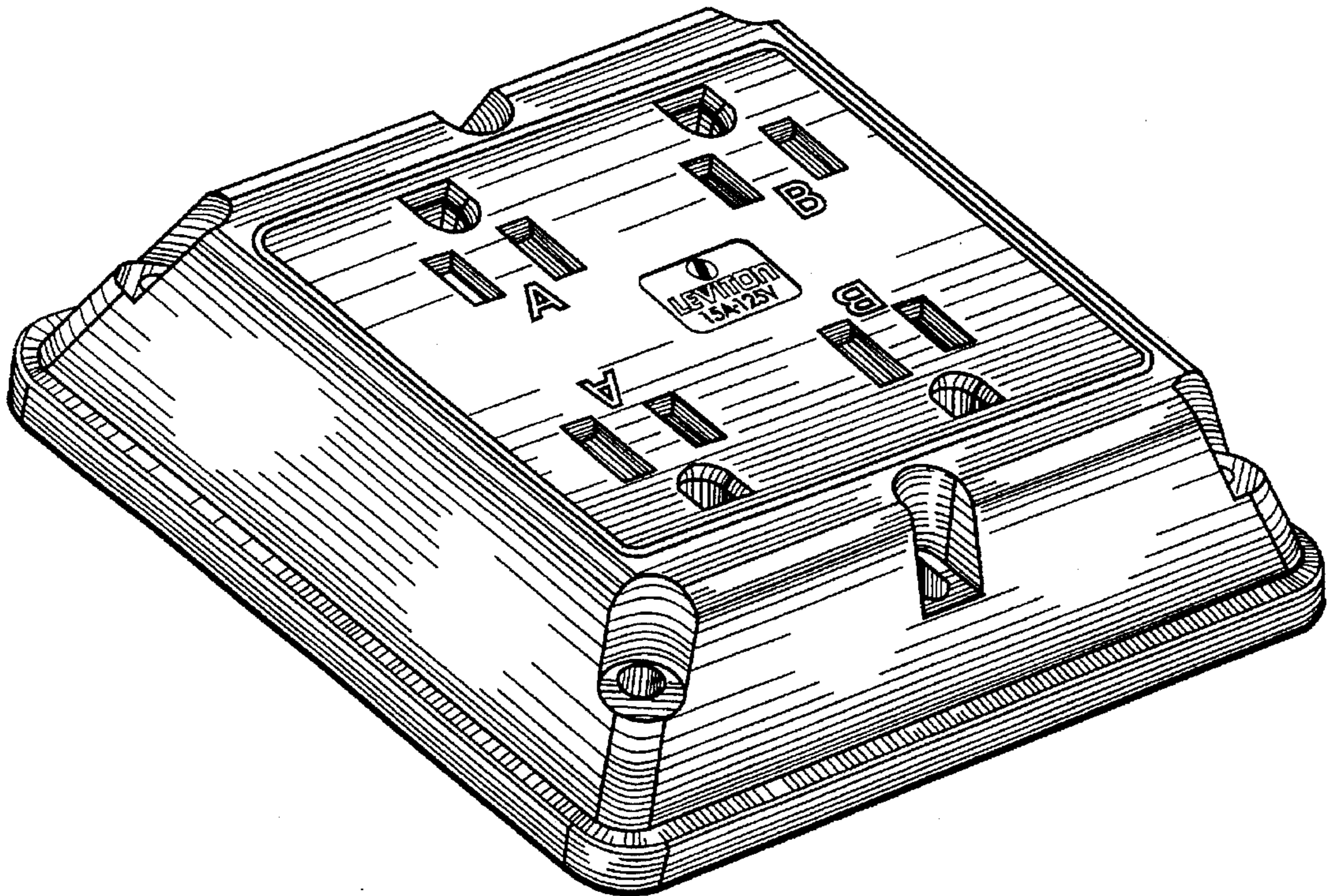
[57] **CLAIM**

The ornamental design for a quadriplex receptacle design, as shown and described.

**DESCRIPTION**

FIG. 1 is a front and upper left perspective view of a quadriplex receptacle showing my new design;  
 FIG. 2 is a top plan view thereof;  
 FIG. 3 is a front elevational view thereof;  
 FIG. 4 is a rear elevational view thereof;  
 FIG. 5 is a right side elevational view thereof;  
 FIG. 6 is a left side elevational view thereof;  
 FIG. 7 is a front and upper left perspective view of a quadriplex receptacle showing a second embodiment of my new design. The rear and right sides of the base have the same appearance as the front and left sides respectively; and,  
 FIG. 8 is a front and upper left perspective view of a quadriplex receptacle showing a third embodiment of my new design. The rear and right sides of the adapter plate have the same appearance as the front and left sides respectively.

**1 Claim, 5 Drawing Sheets**



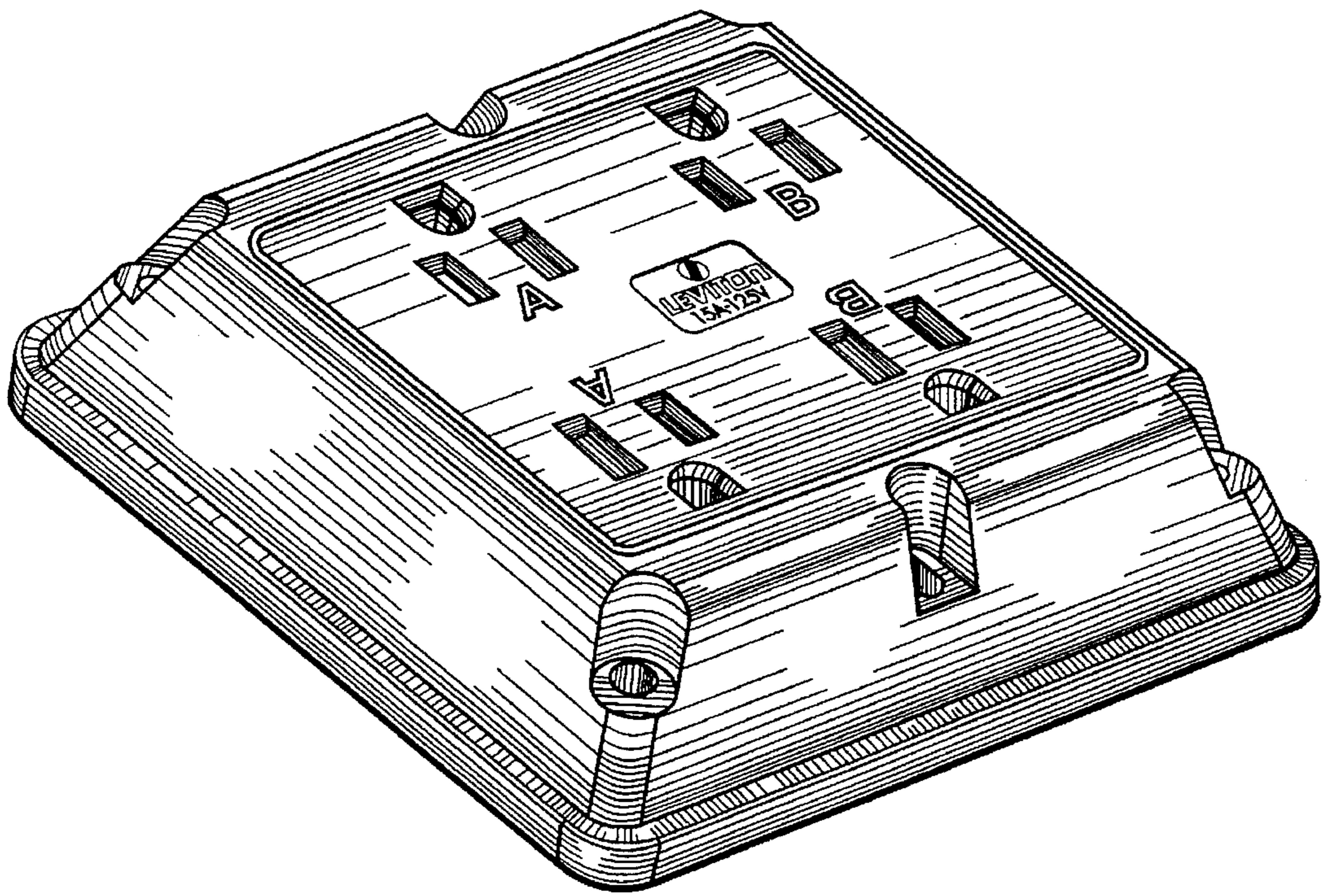


FIG. 1

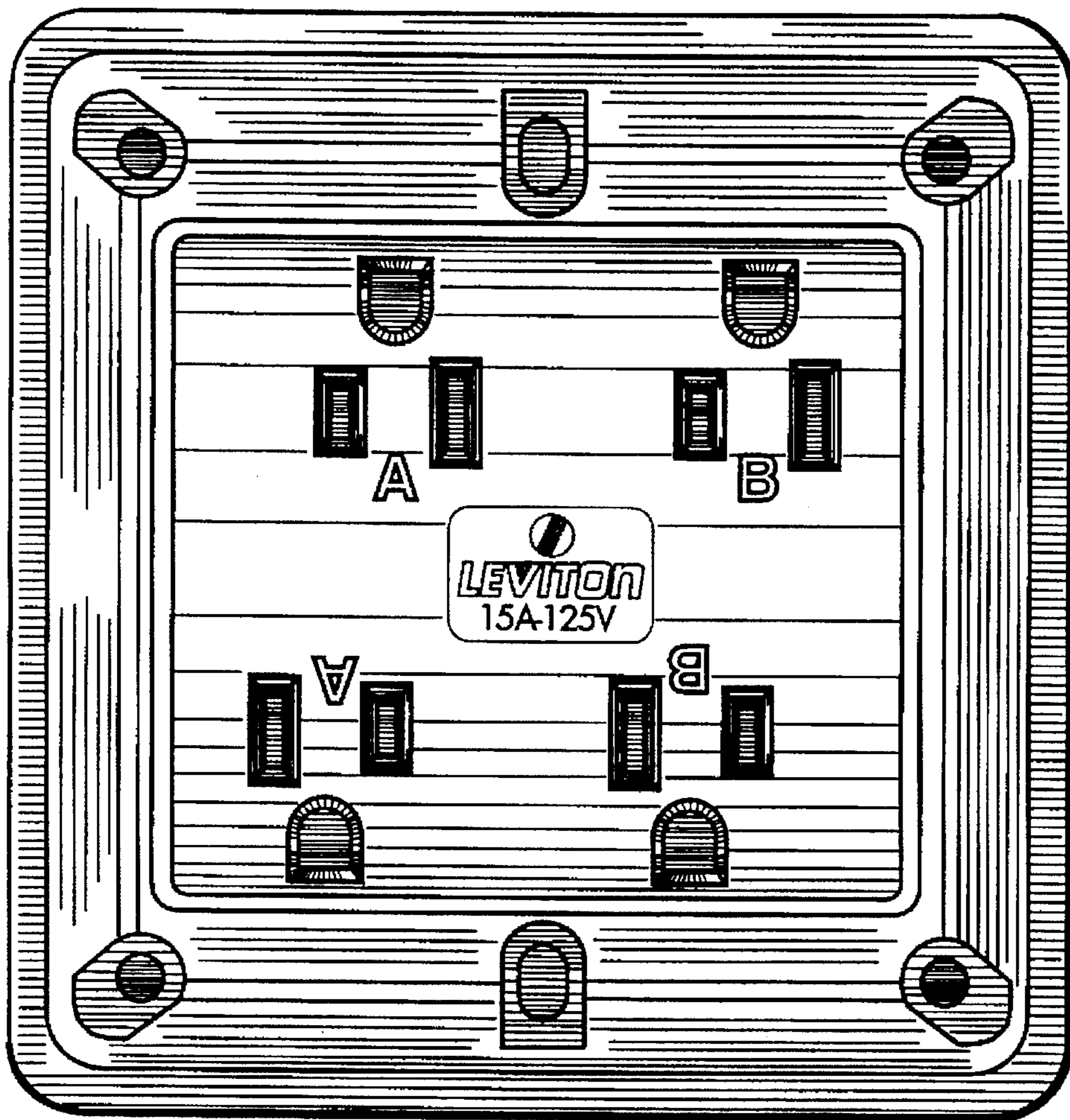


FIG. 2

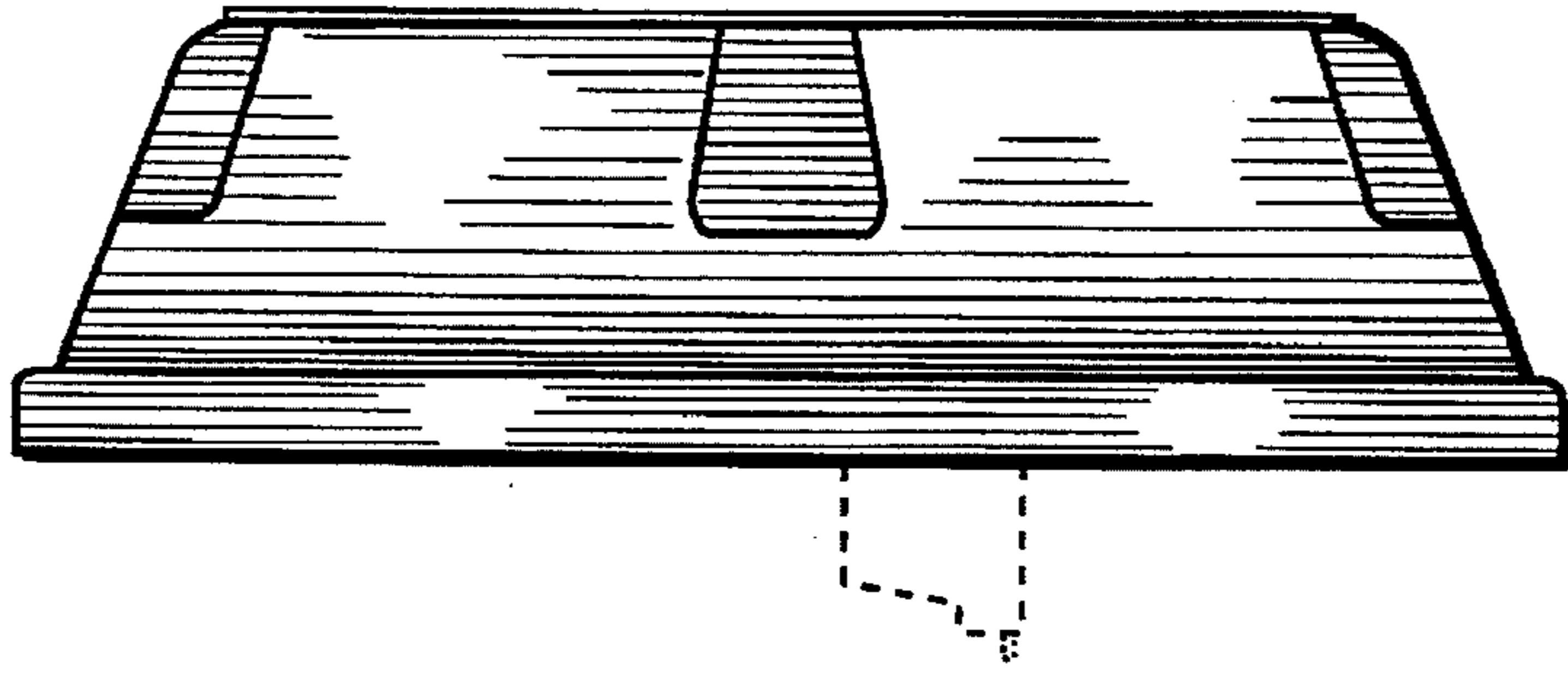


FIG. 3

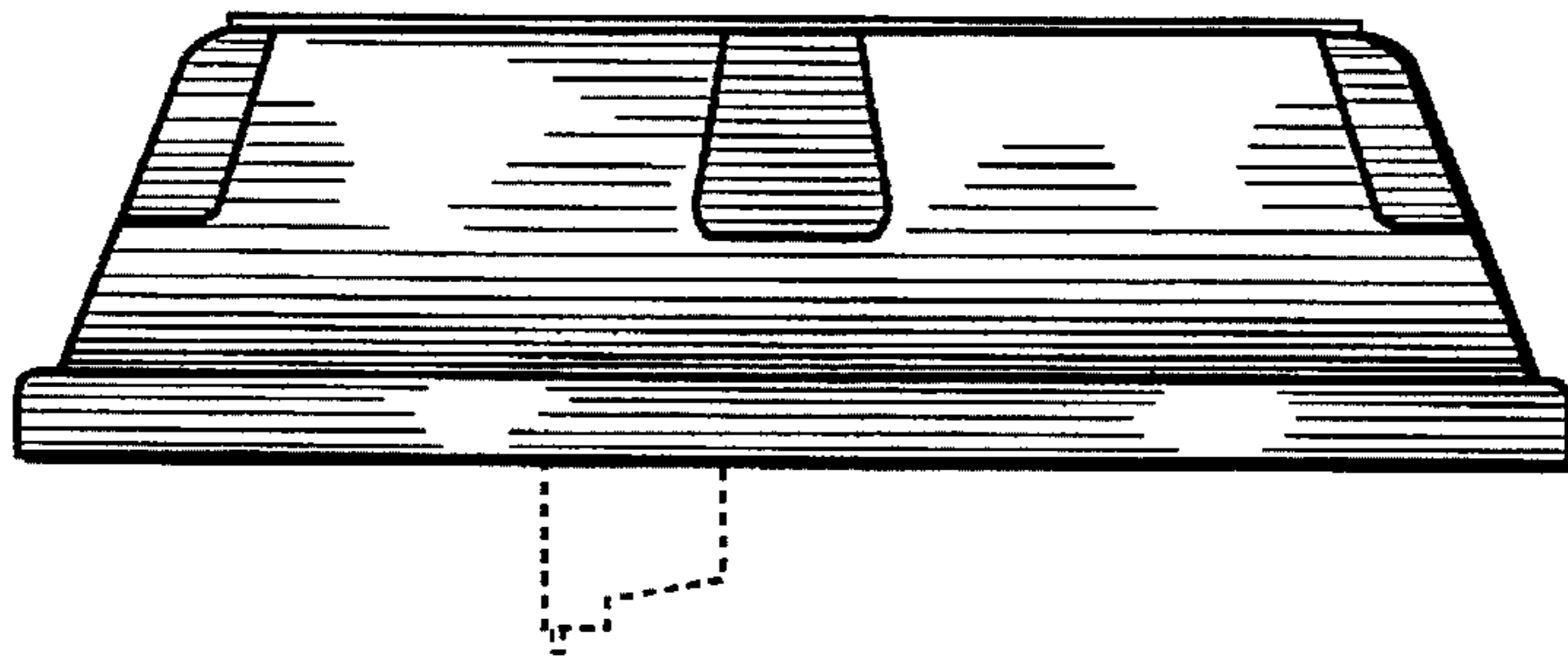


FIG. 4

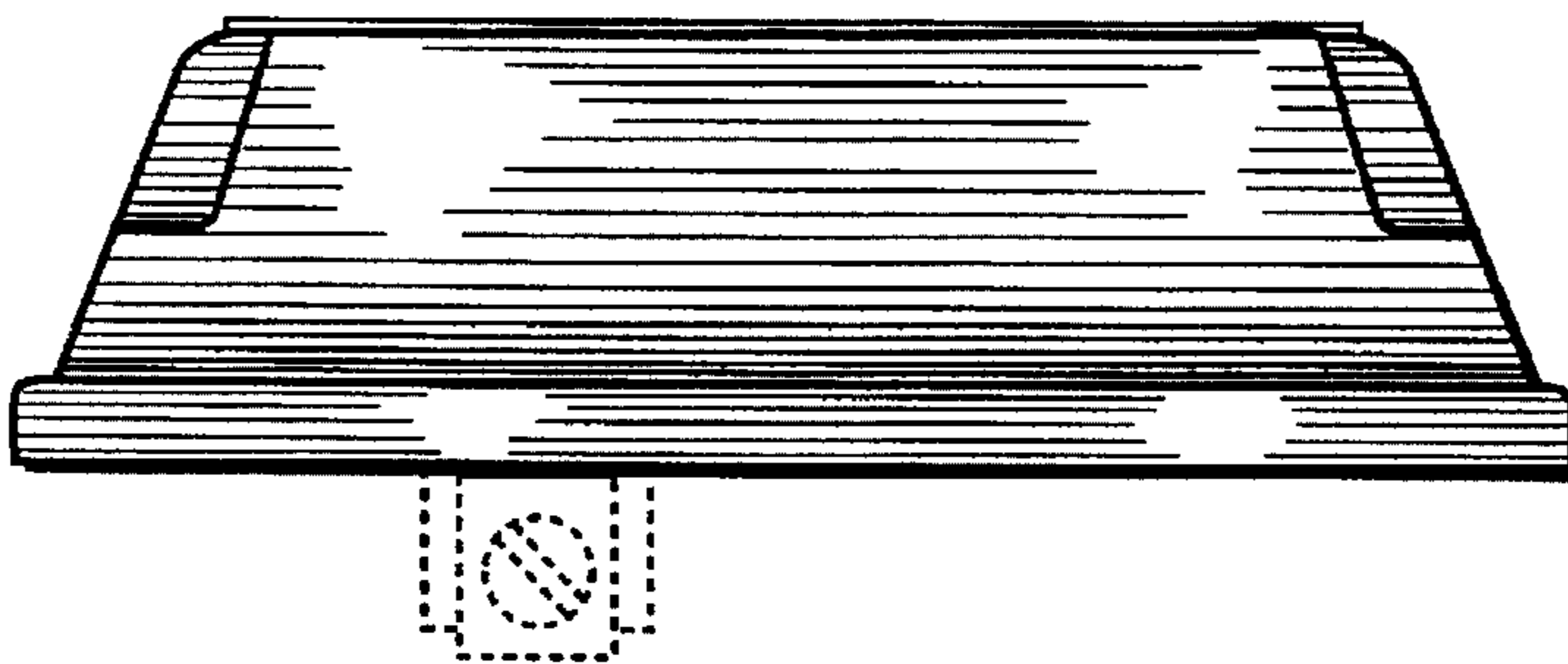


FIG. 5

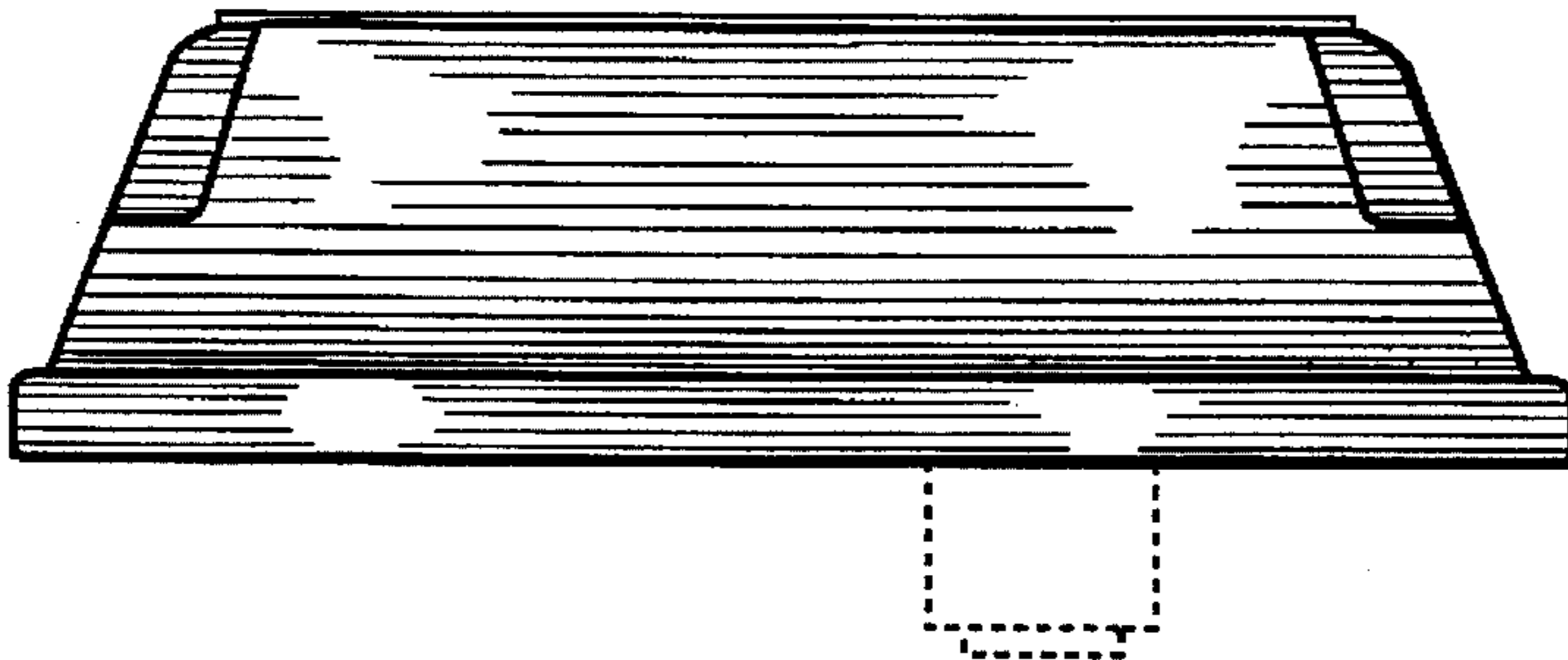


FIG. 6

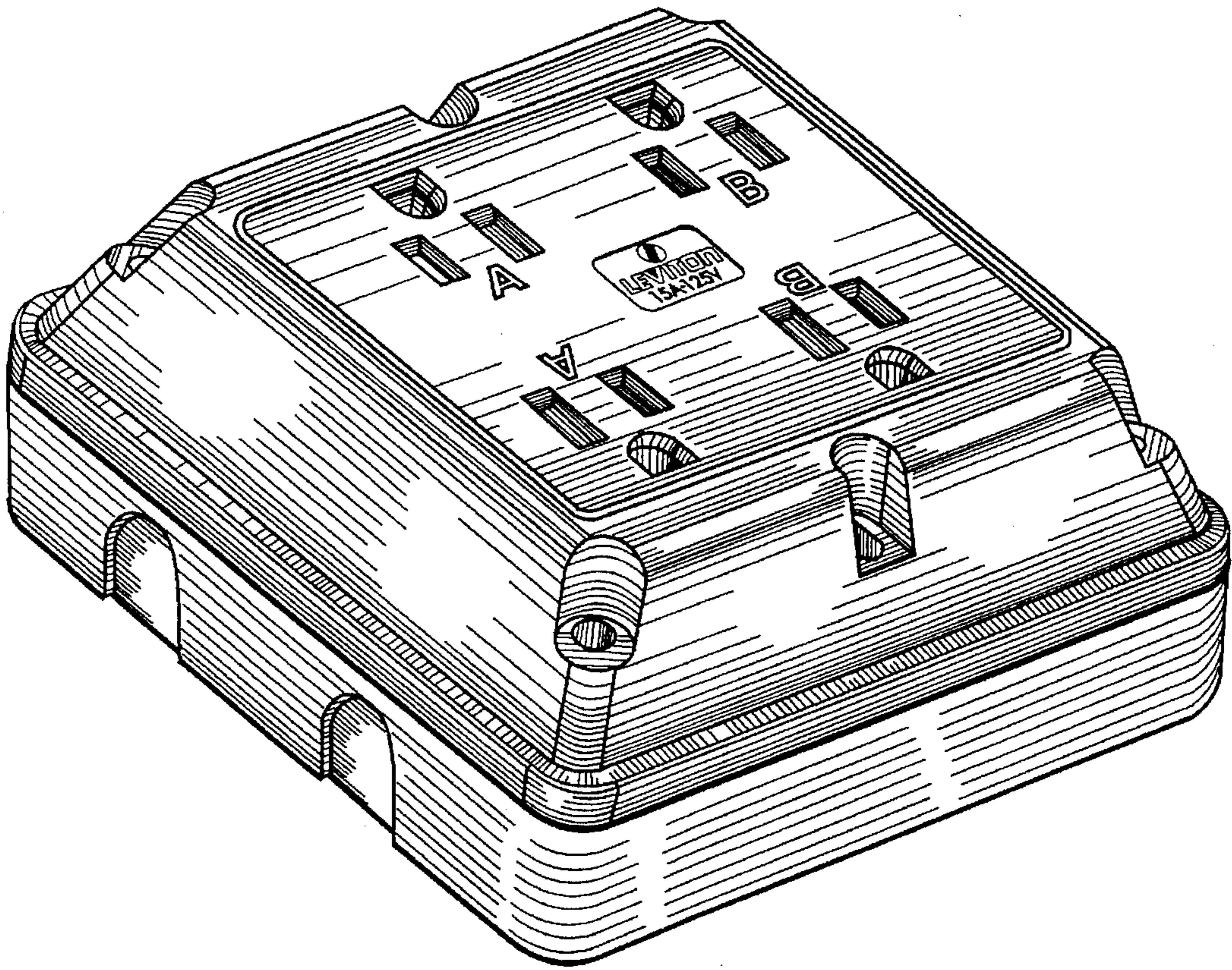


FIG. 7

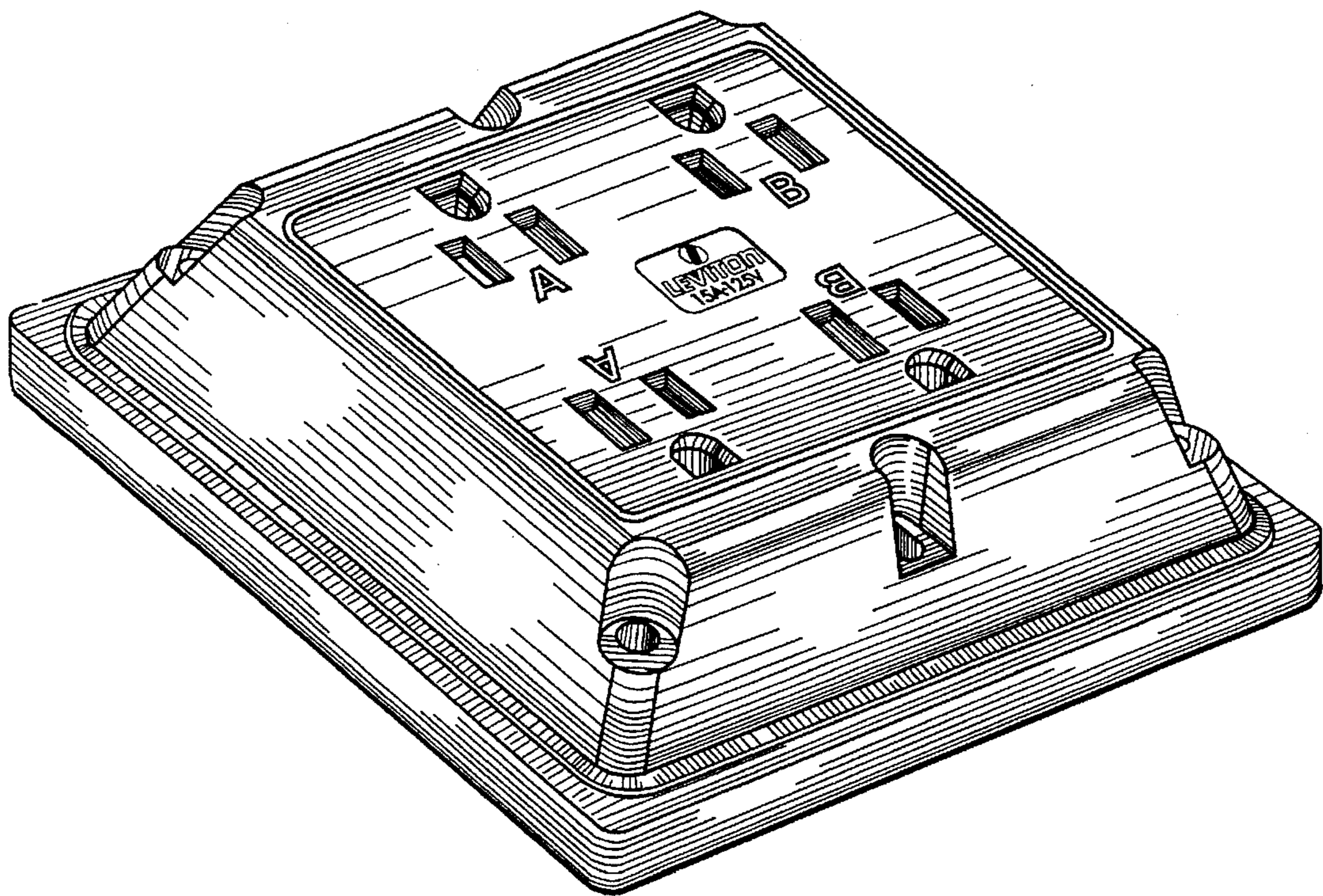


FIG. 8