

US00D379794S

United States Patent [19]

Whitsel

[11] Patent Number: Des. 379,794

[45] Date of Patent: **Jun. 10, 1997

[54] BOTTLE CAGE

[75] Inventor: Robert A. Whitsel, Los Gatos, Calif.

[73] Assignee: Bell Sports, Inc., San Jose, Calif.

[**] Term: 14 Years

[21] Appl. No.: 41,447

[22] Filed: Jul. 14, 1995

[51] LOC (6) Cl. 12-16

[52] U.S. Cl. D12/411

[58] Field of Search D12/114, 411;
224/30 A, 30 R, 32 R, 32 A

[56] **References Cited**

U.S. PATENT DOCUMENTS

D. 264,954	6/1982	Blackburn	D12/411
D. 285,186	8/1986	Sinyard	D12/411
5,246,570	9/1993	Davis	224/32 R

OTHER PUBLICATIONS

Bike Nashbar, Spring 1994, p. 60, the Nashbar Compe Bottle Cage and Nashbar Bottle Cage.

Primary Examiner—Melody N. Brown

Attorney, Agent, or Firm—Robert O. Guillot

[57] **CLAIM**

The ornamental design for a bottle cage, as shown and described.

DESCRIPTION

FIG. 1 is a front elevational view showing the ornamental appearance of my bottle cage;

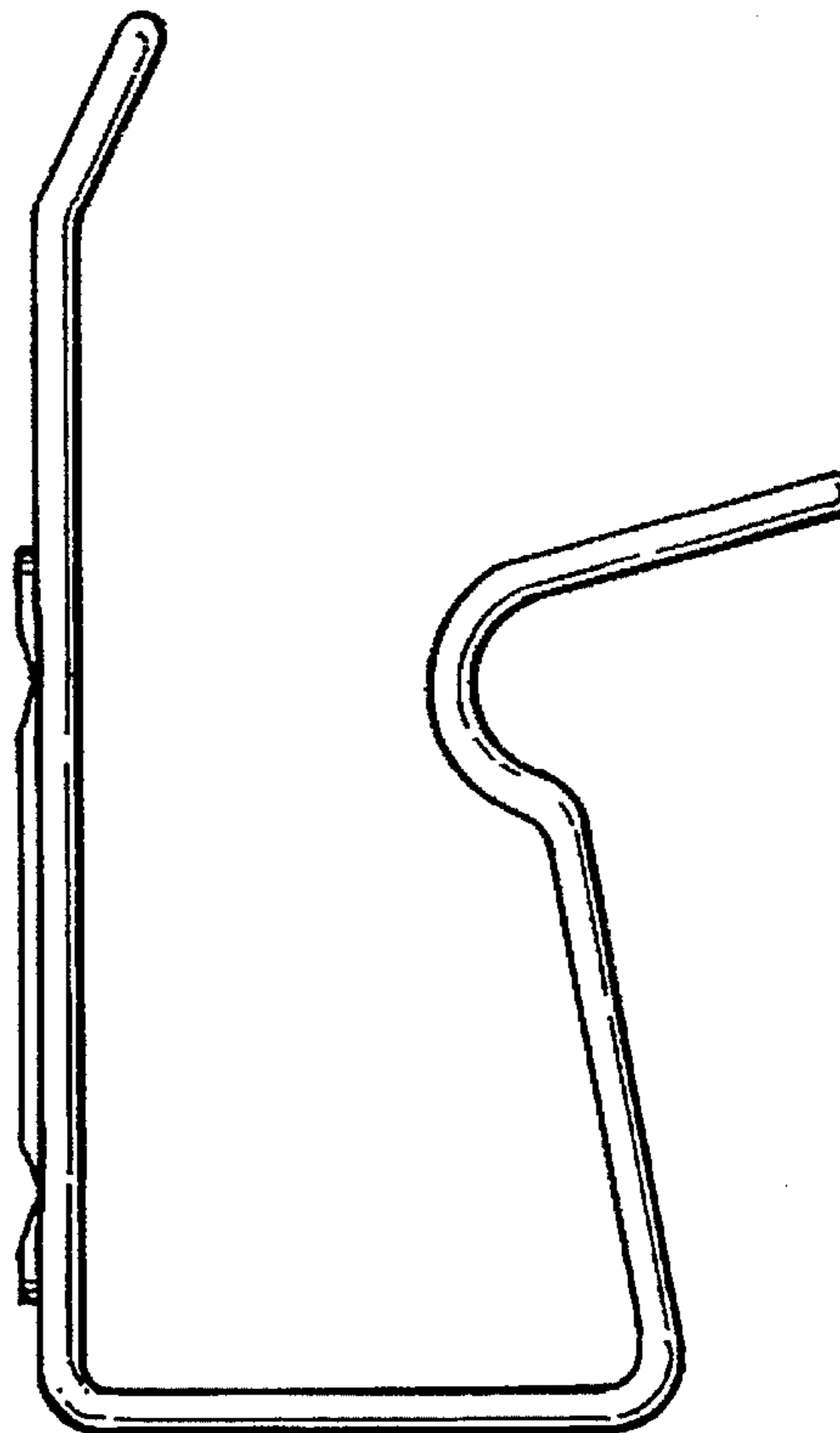
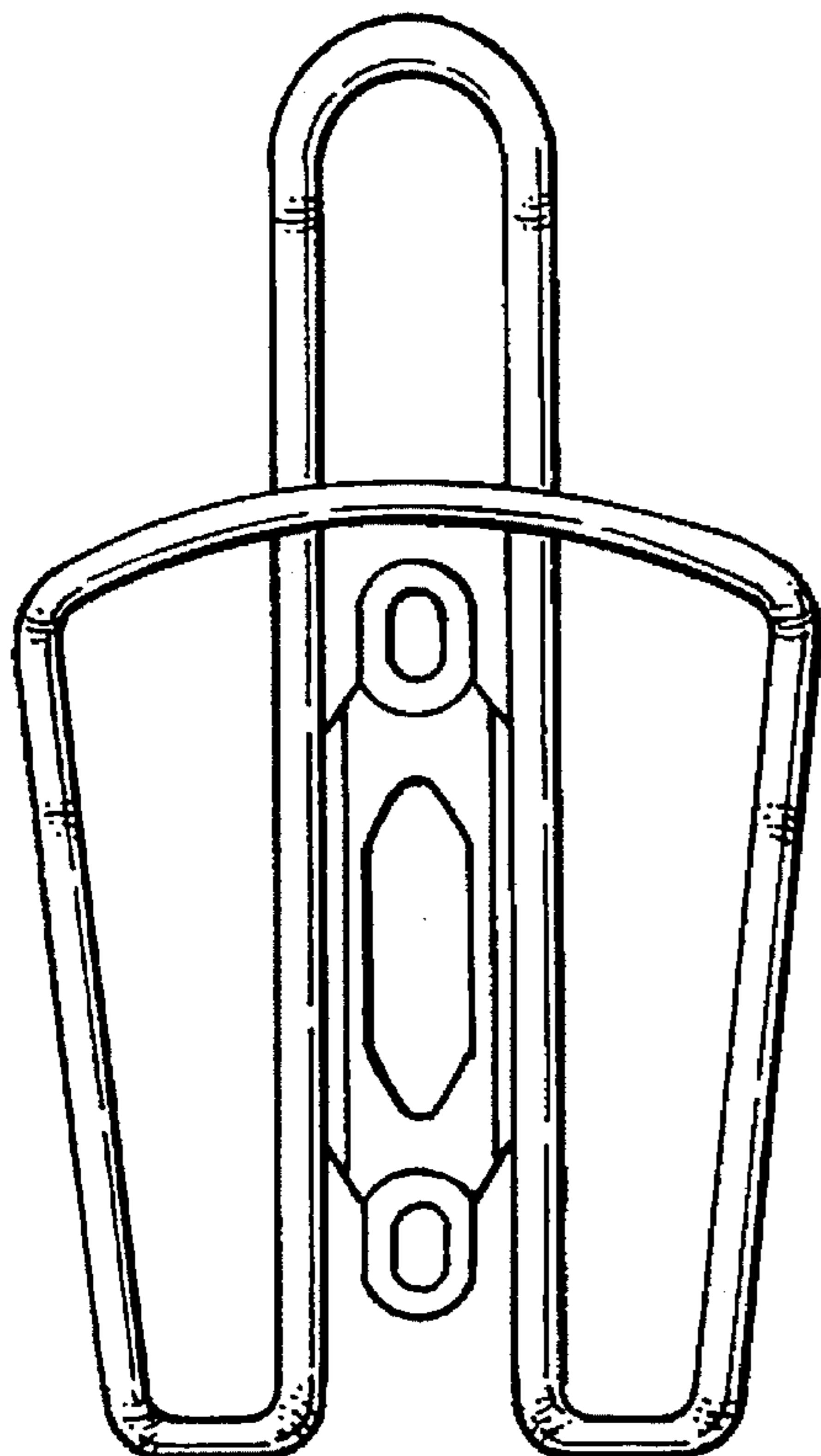
FIG. 2 is a left side elevational view of the bottle cage depicted in FIG. 1, the right side elevational view being a mirror image thereof;

FIG. 3 is a rear elevational view of the bottle cage depicted in FIG. 1;

FIG. 4 is a bottom plan view of the bottle cage depicted in FIG. 1; and,

FIG. 5 is a top plan view of the bottle cage depicted in FIG. 1.

1 Claim, 1 Drawing Sheet



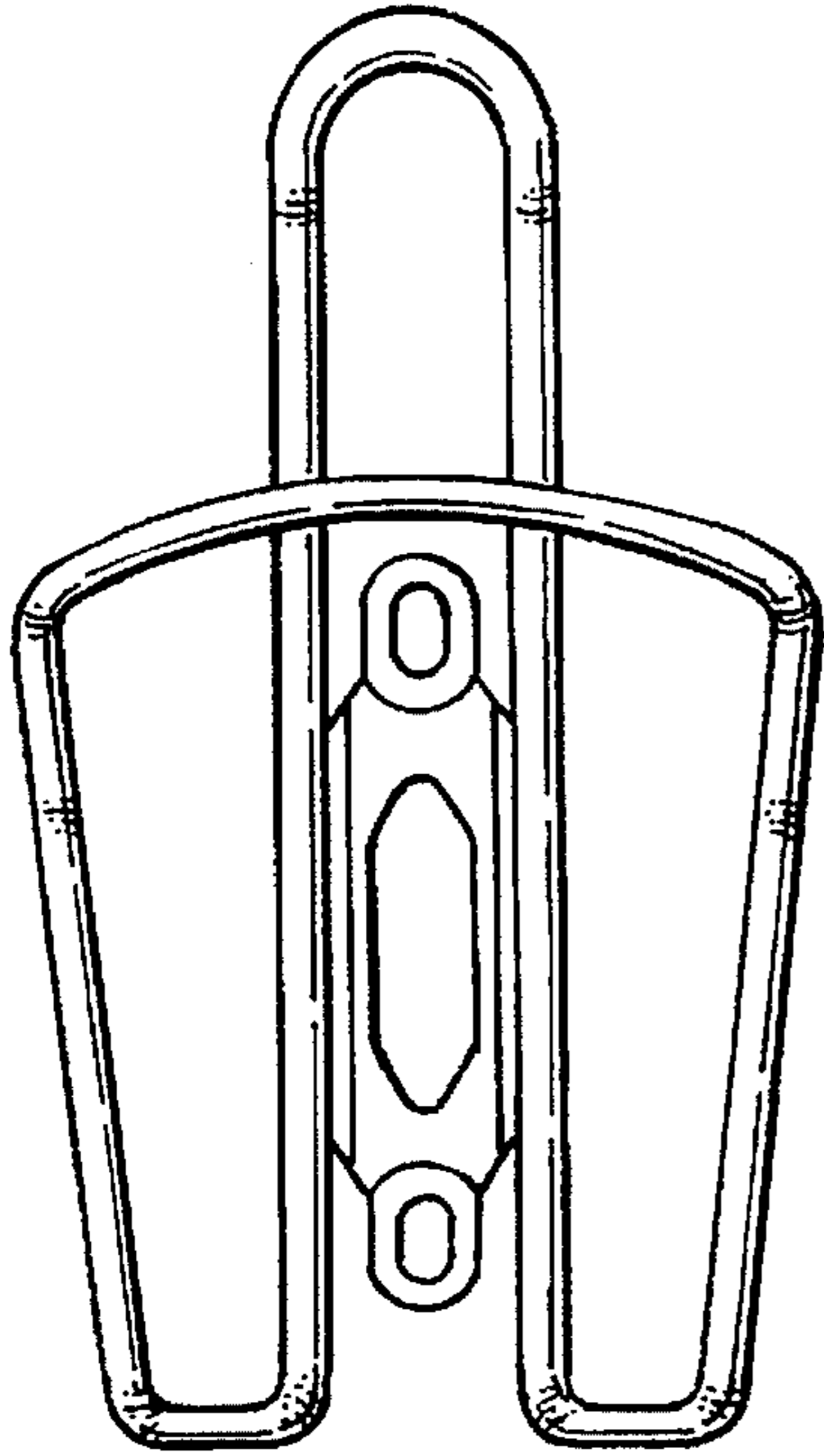


Fig. 1

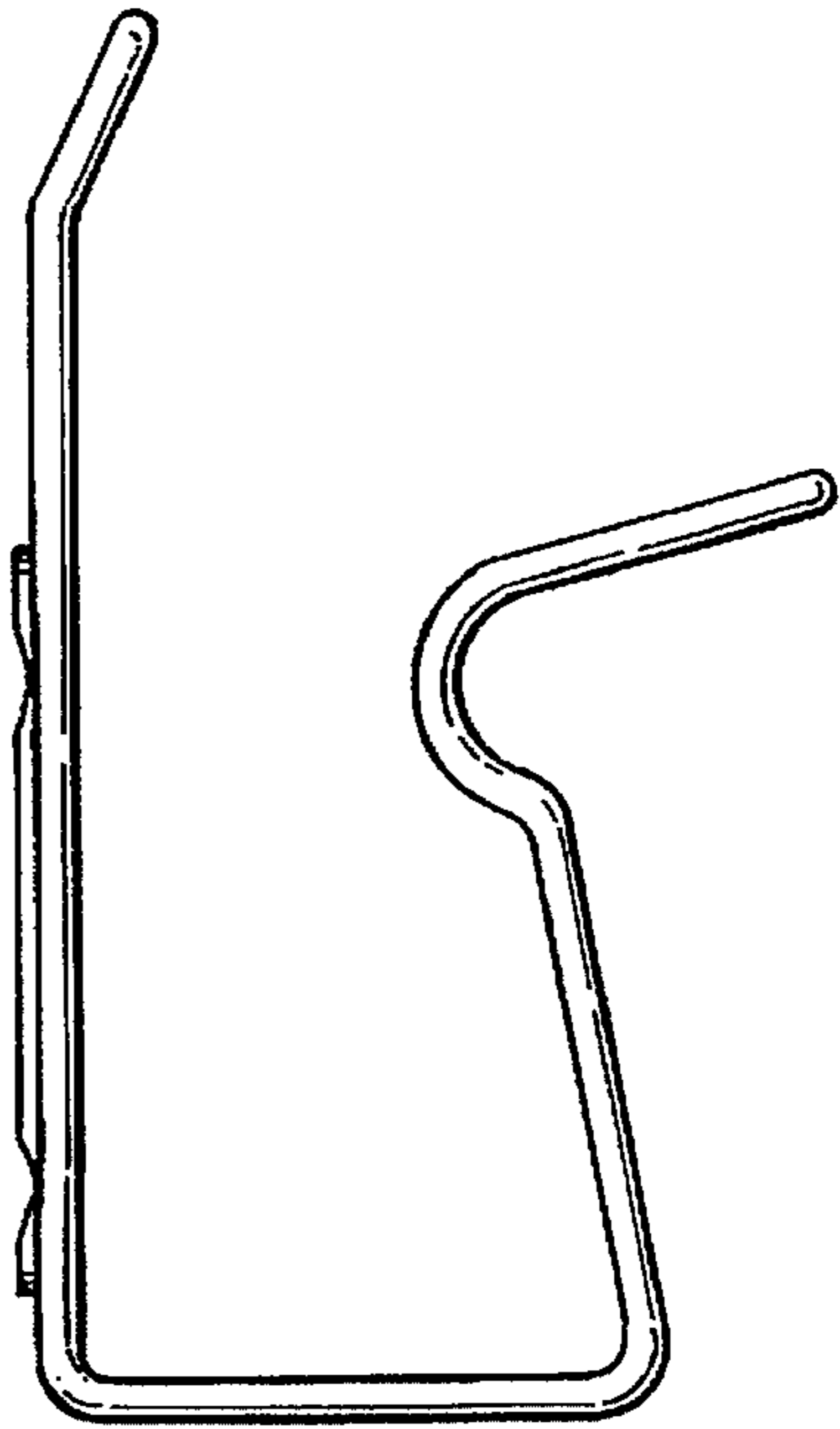


Fig. 2

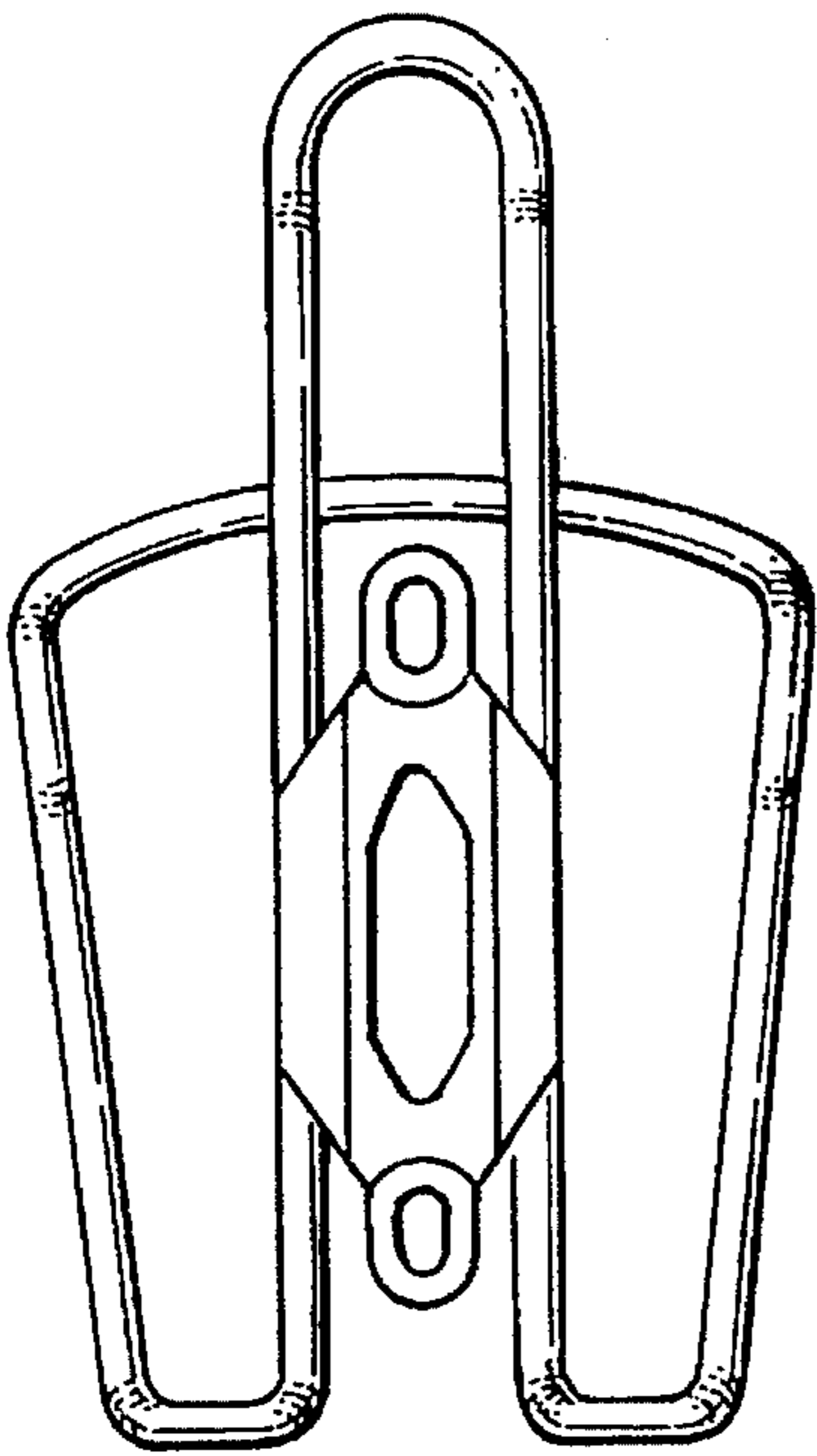


Fig. 3

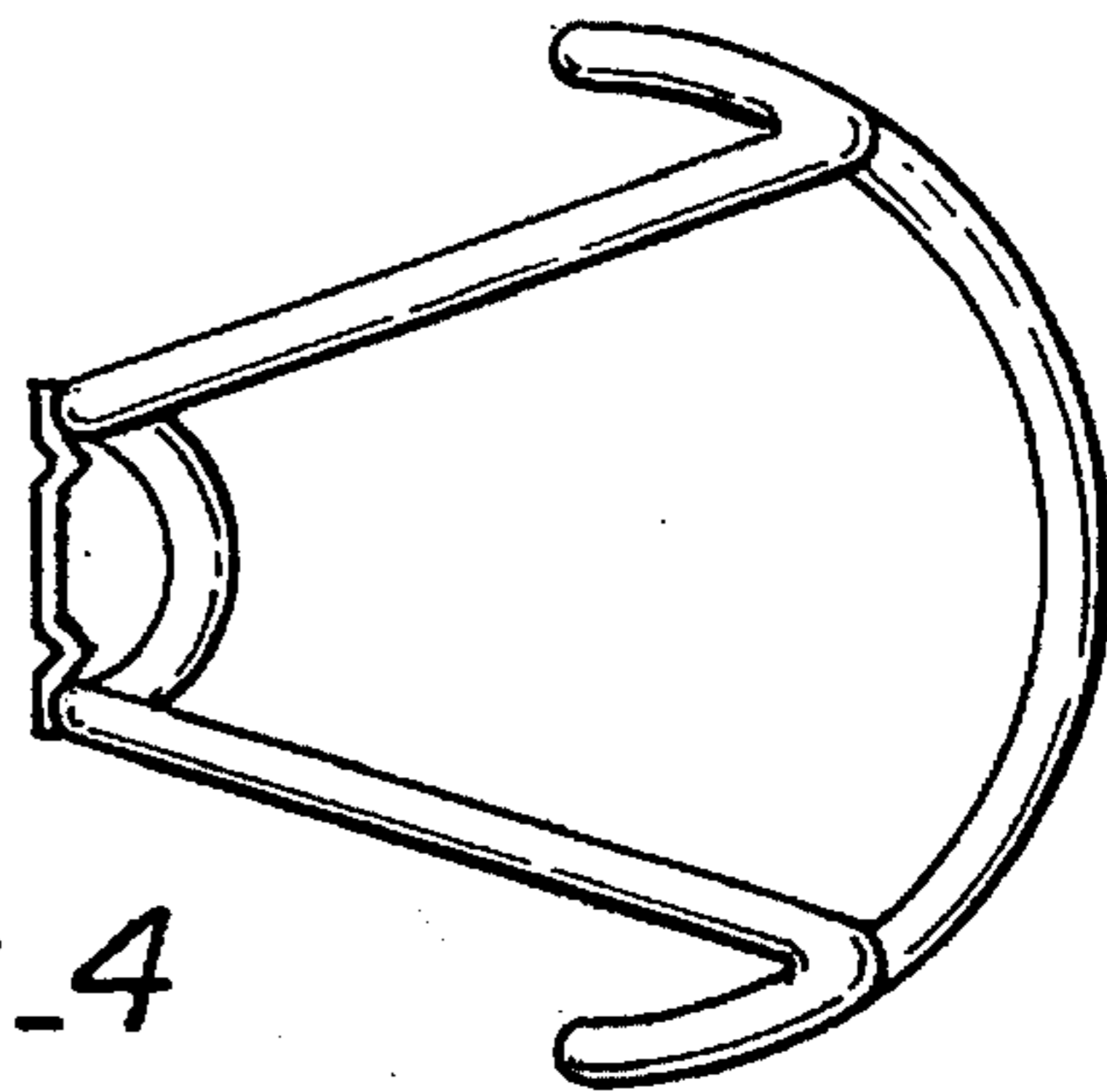


Fig. 4

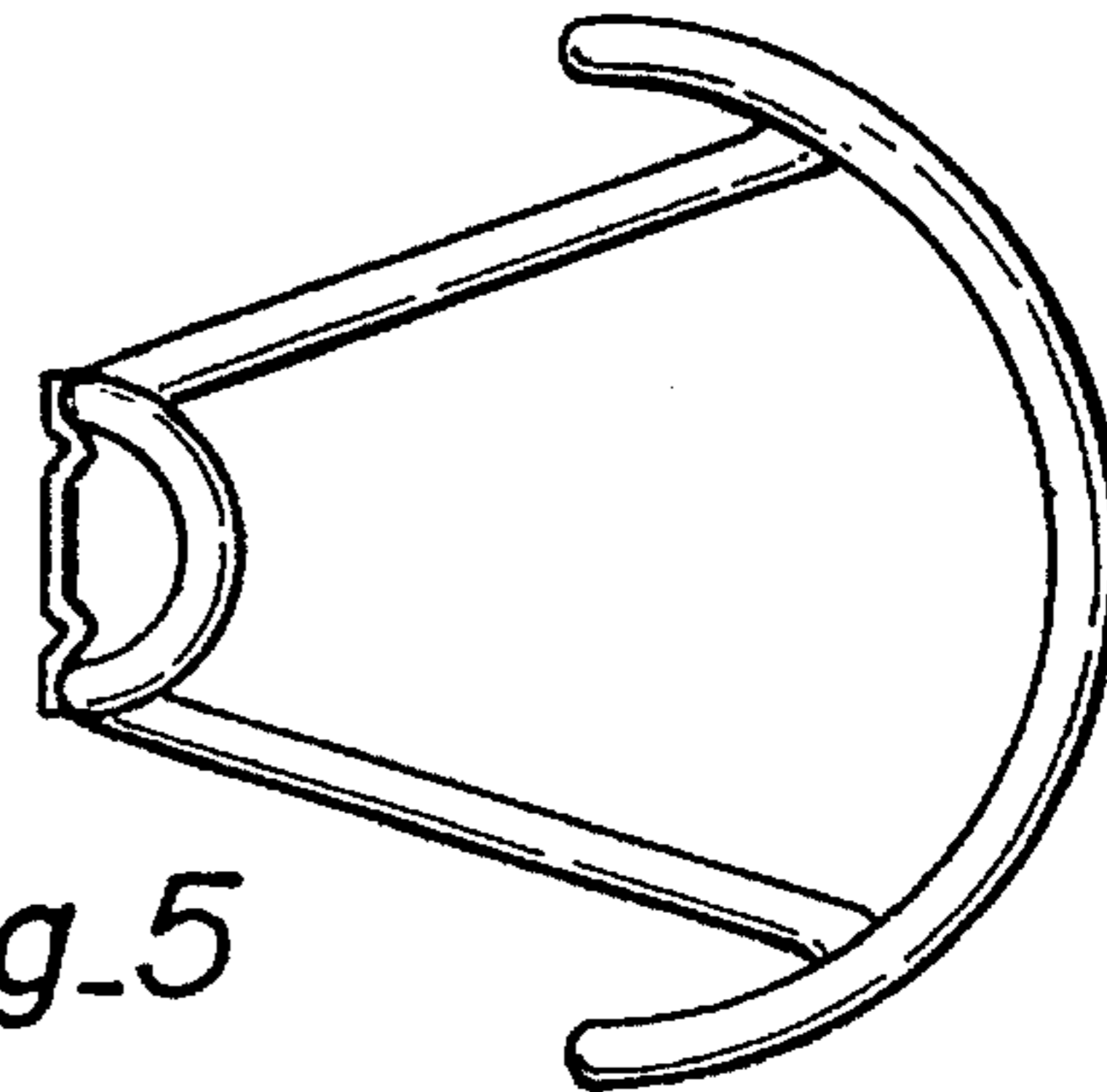


Fig. 5