



US00D379790S

United States Patent [19]

Guspodin et al.

[11] Patent Number: **Des. 379,790**

[45] Date of Patent: ****Jun. 10, 1997**

[54] TIRE TREAD

[75] Inventors: **James G. Guspodin**, Akron; **William C. Hanlon**, Medina, both of Ohio

[73] Assignee: **Bridgestone/Firestone, Inc.**, Akron, Ohio

[**] Term: **14 Years**

[21] Appl. No.: **46,790**

[22] Filed: **Oct. 5, 1995**

[51] LOC (6) Cl. **12-15**

[52] U.S. Cl. **D12/147**

[58] Field of Search **D12/141, 142, D12/143, 146, 147, 148; 152/209 R, 209 D**

[56] References Cited

U.S. PATENT DOCUMENTS

D. 244,129	4/1977	Kolowski et al.	D12/143
D. 279,465	7/1985	Nishio et al.	D12/147
D. 310,803	9/1990	Hasegawa	D12/147
D. 320,772	10/1991	Hasegawa	D12/147
D. 333,287	2/1993	Slingluff et al.	D12/146
D. 350,102	8/1994	Evraert et al.	D12/147
D. 350,508	9/1994	Evraert	D12/146
D. 371,095	6/1996	Manestar	D12/146
5,147,478	9/1992	Nock et al.	152/209 R

OTHER PUBLICATIONS

Cordovan Centron tire, *1994 Tread Design Guide*, pave 14, bottom row, far right.

Dayton Daytona Metric Radial tire, *1995 Tread Design Guide*, p. 20, top row, center.

Primary Examiner—James Gandy

Assistant Examiner—Robert M. Spear

Attorney, Agent, or Firm—Carmen S. Santa Maria

[57] CLAIM

The ornamental design for a tire tread, as shown and described.

DESCRIPTION

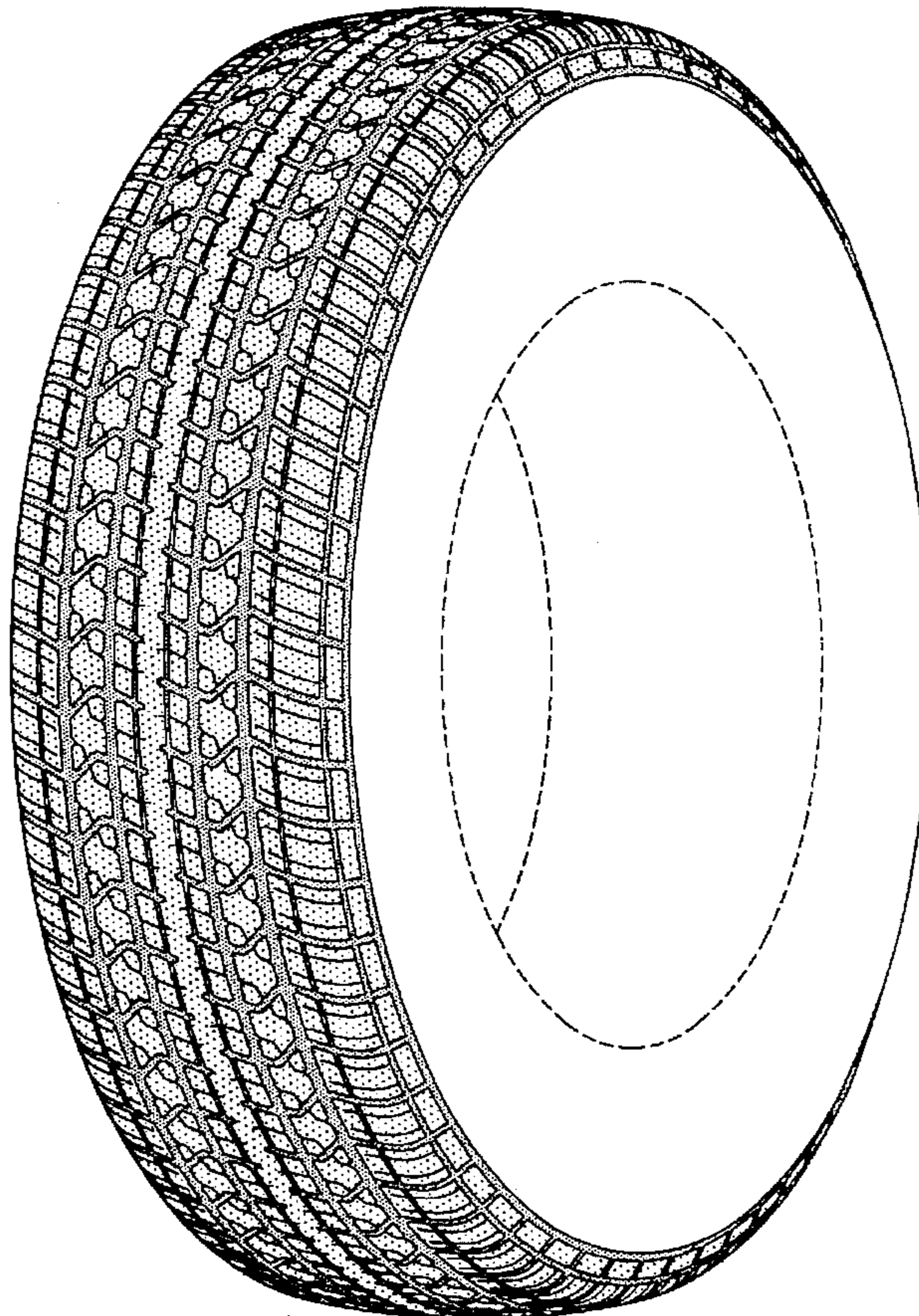
FIG. 1 is a side perspective view of a tire tread showing our new design, it being understood that the tread pattern is repeated throughout the circumference of the tire tread, the opposite side being substantially the same as that shown; FIG. 2 is a front elevational view thereof;

FIG. 3 is a side elevational view of the right side thereof, the opposite side being identical thereto; and,

FIG. 4 is an enlarged fragmentary front elevational view thereof.

The broken line showing of a tire sidewall is for illustrative purposes only and forms no part of the claimed design.

1 Claim, 4 Drawing Sheets



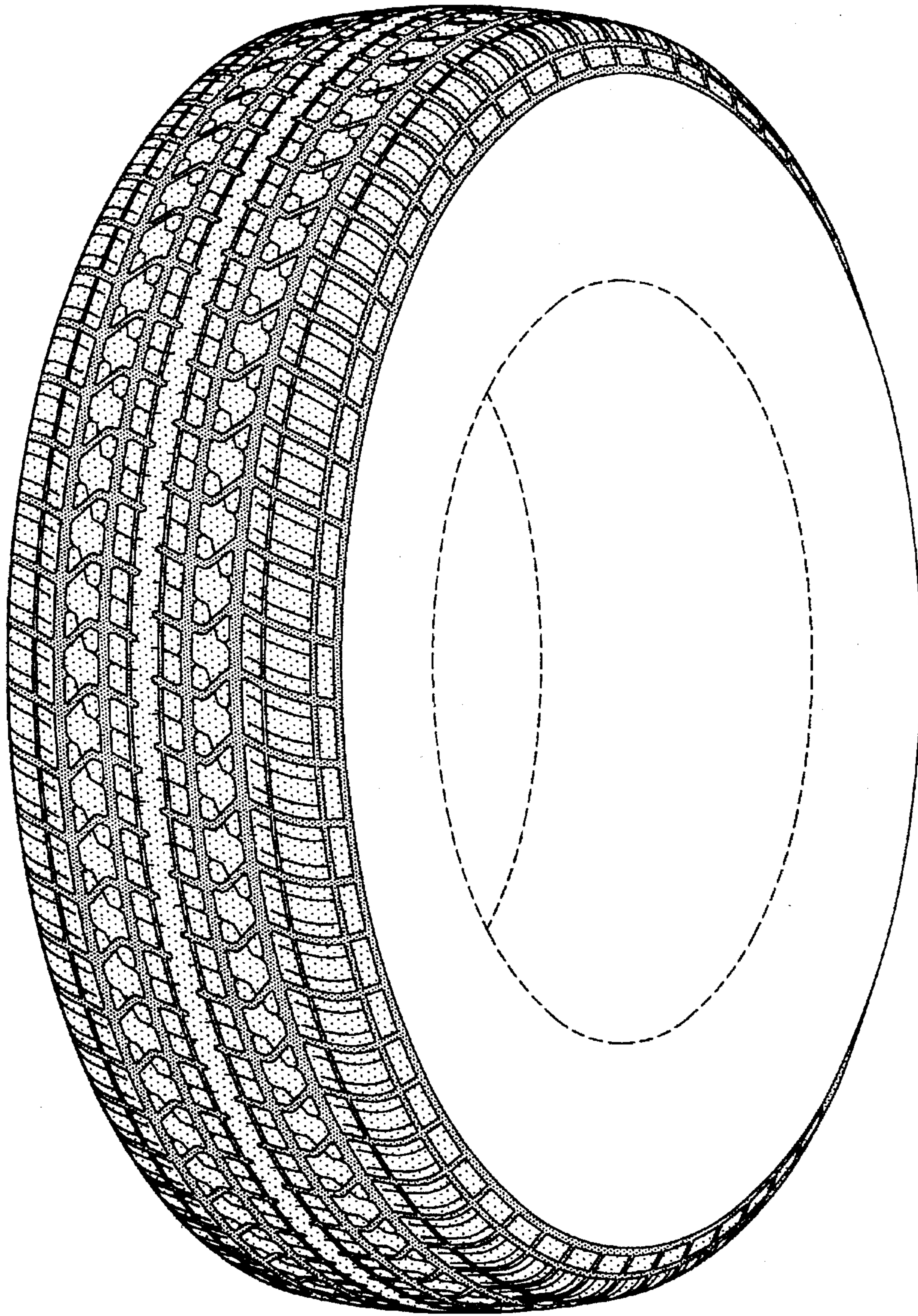


FIG-1

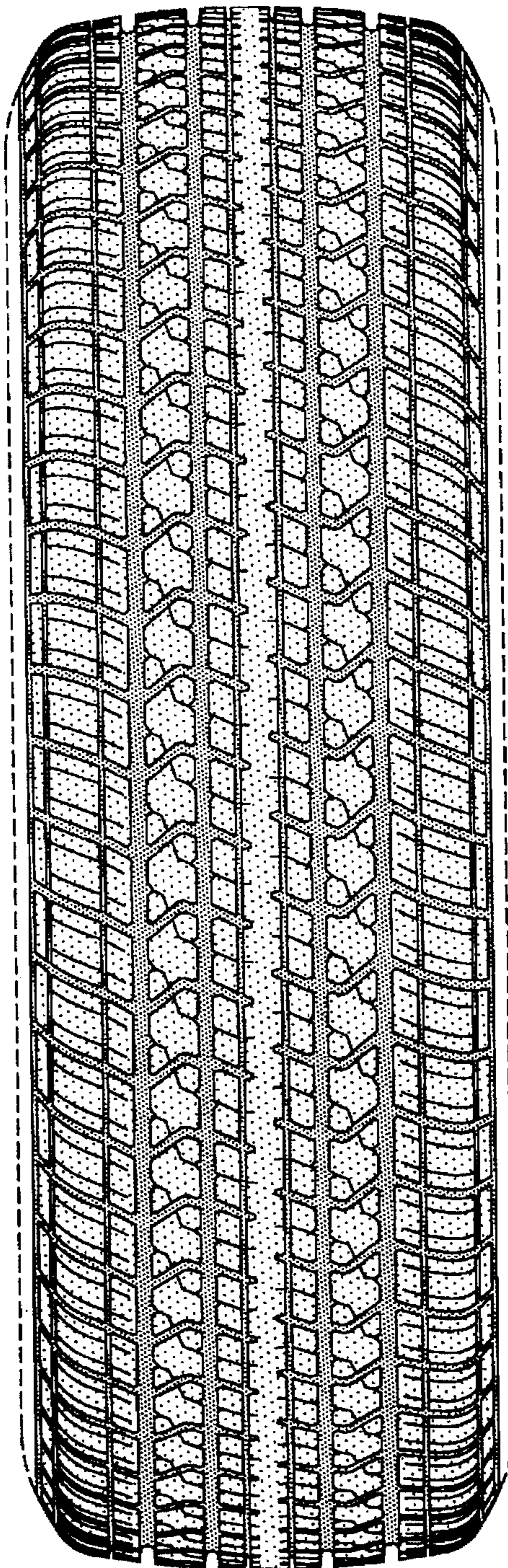


FIG-2

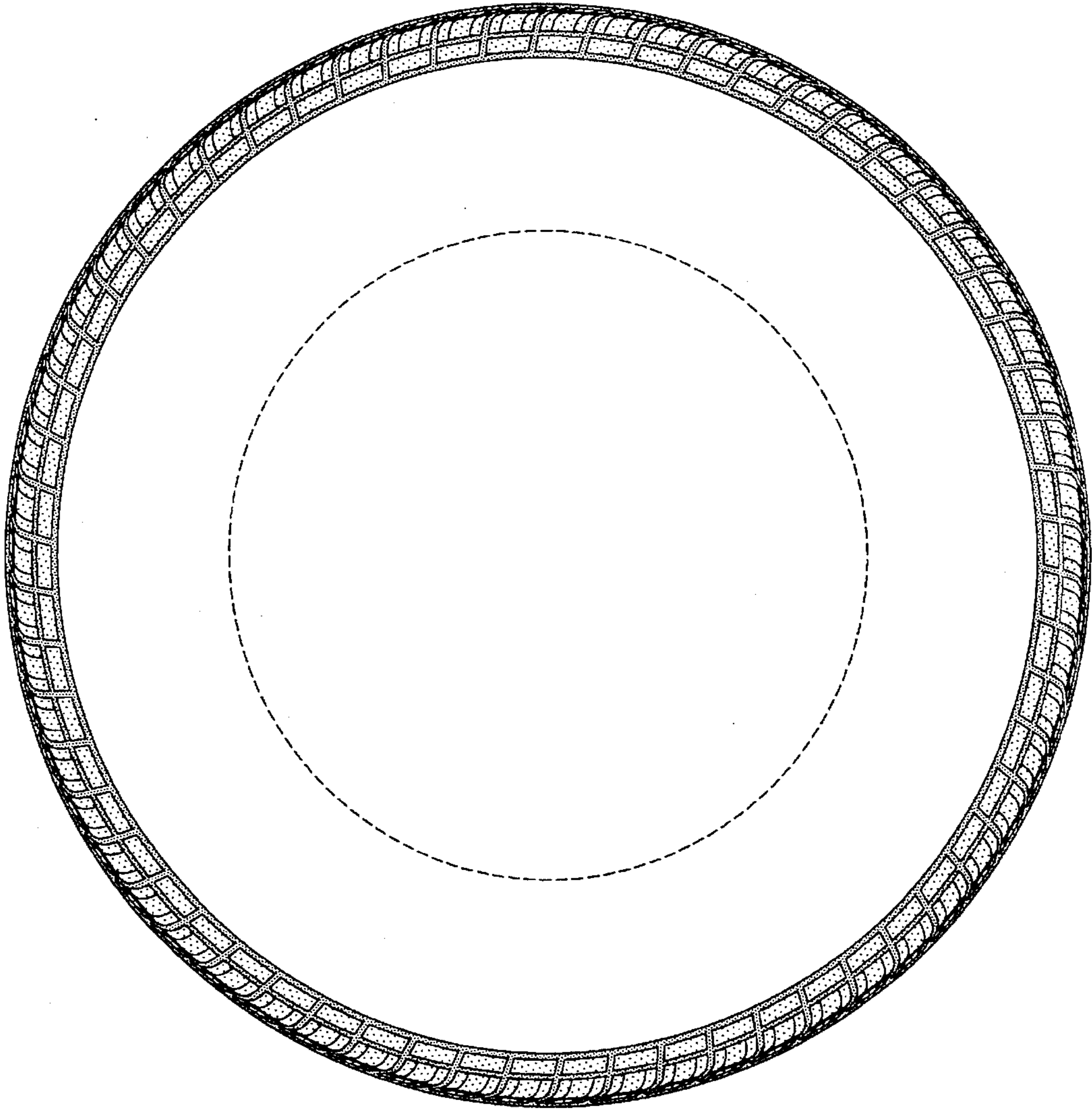


FIG-3

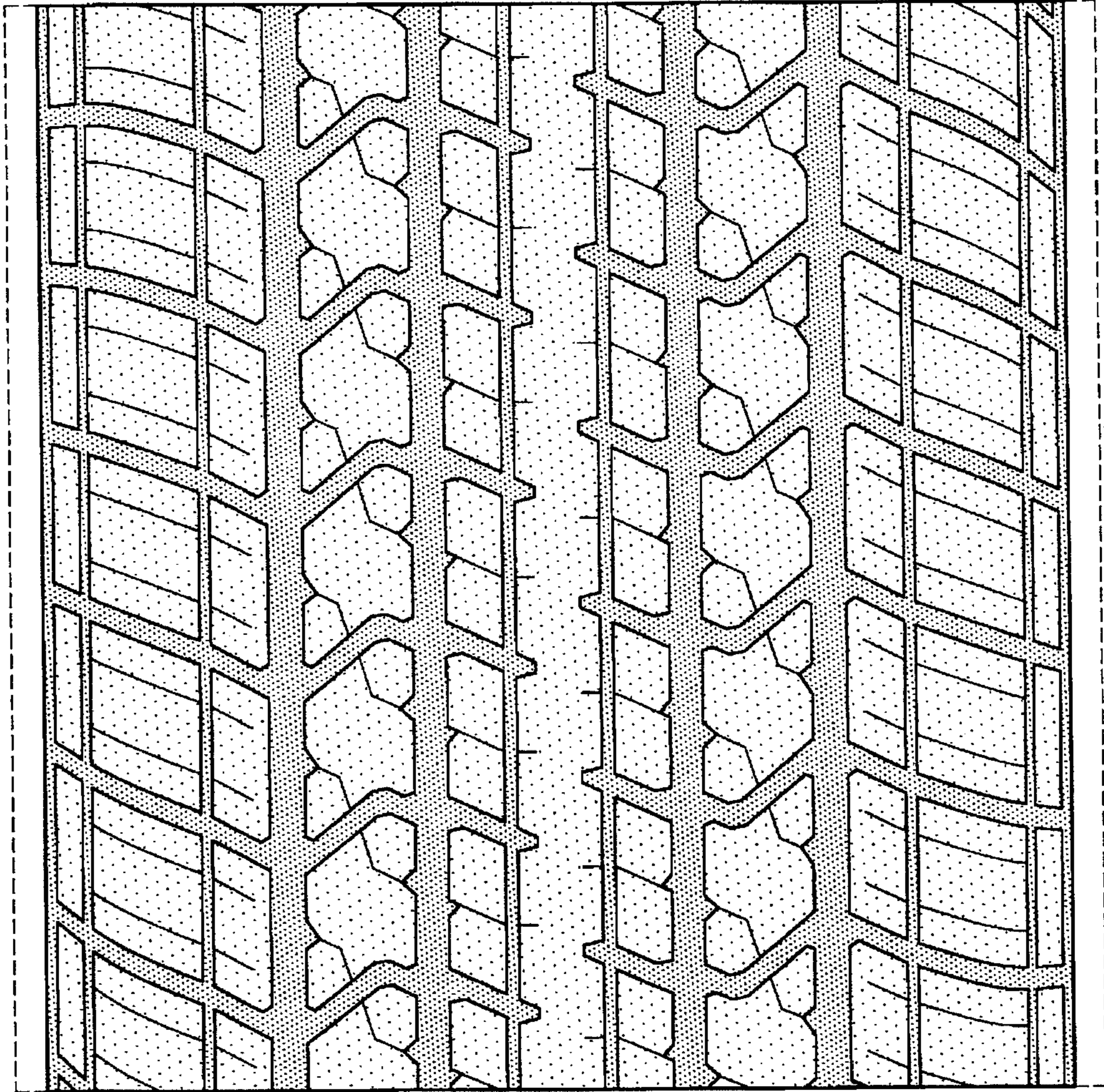


FIG-4