



US00D379784S

United States Patent [19]

[11] Patent Number: **Des. 379,784**

Muhanna et al.

[45] Date of Patent: ****Jun. 10, 1997**

[54] STRETCHER FOR TRANSPORTING SICK OR INJURED HUMAN OR ANIMAL

[76] Inventors: **Shaheer Muhanna**, 6315 Glenbrook Dr., Tucker, Ga. 30084; **Nabil Muhanna**, 715 Jesse Jewell Pkwy., Gainesville, Ga. 30501

[**] Term: **14 Years**

[21] Appl. No.: **42,438**

[22] Filed: **Aug. 10, 1995**

[51] LOC (6) Cl. **12-12**

[52] U.S. Cl. **D12/128; D12/133**

[58] Field of Search **D12/128, 132, D12/133; 5/625, 627, 81.1 R**

[56] References Cited

U.S. PATENT DOCUMENTS

| | | | |
|------------|---------|-------------------|---------|
| D. 332,930 | 2/1993 | Clark et al. | D12/128 |
| 5,274,864 | 1/1994 | Morgan | 5/625 |
| 5,414,883 | 5/1995 | Fangrow, Jr. | 5/625 |
| 5,473,784 | 12/1995 | Nixon et al. | 5/625 |

OTHER PUBLICATIONS

FIGS. 1-6 which are photos of various views of what is believed to be a prior art stretcher.

Primary Examiner—Kay H. Chin

Attorney, Agent, or Firm—Louis T. Isaf, P.C.

[57] CLAIM

The ornamental design for a stretcher for transporting sick or injured human or animal, as shown and described.

DESCRIPTION

FIG. 1 is a top perspective view of a stretcher showing our new design in accordance with a first embodiment of the present invention;

FIG. 2 is a top plan view thereof;

FIG. 3 is a side elevational view thereof; the side opposite being a mirror image;

FIG. 4 is an end elevational view thereof;

FIG. 5 is an opposite end elevational view thereof;

FIG. 6 is a bottom plan view thereof;

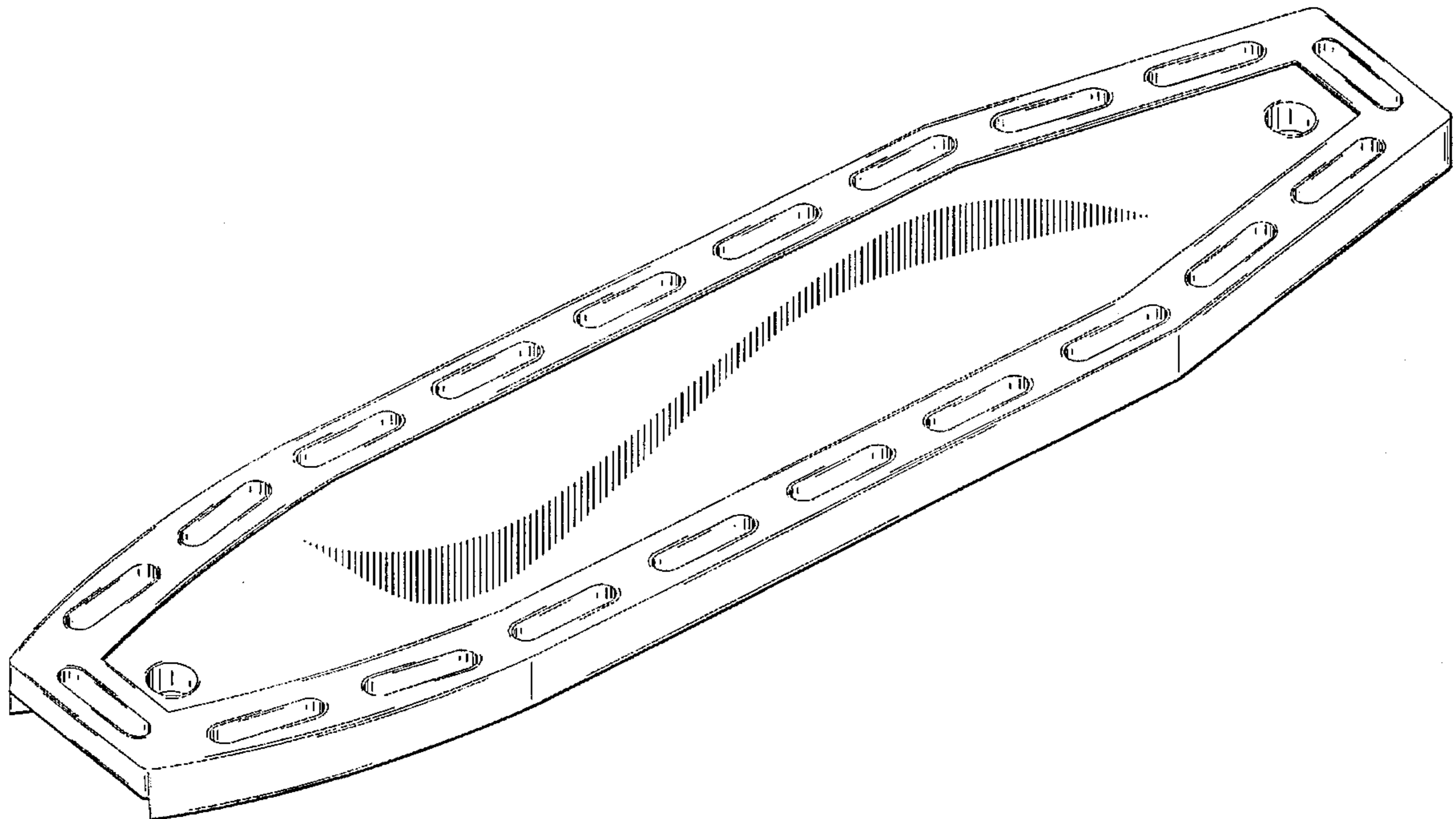
FIG. 7 is a bottom perspective view thereof;

FIG. 8 is a cross-sectional view thereof taken along line 8-8 of FIG. 2;

FIG. 9 is a top perspective view of a second embodiment of the stretcher for transporting sick or injured human or animal; and,

FIG. 10 is a top plan view of FIG. 9, and the sides and end views are the same as the first embodiment shown in FIGS. 3 through 5.

1 Claim, 5 Drawing Sheets



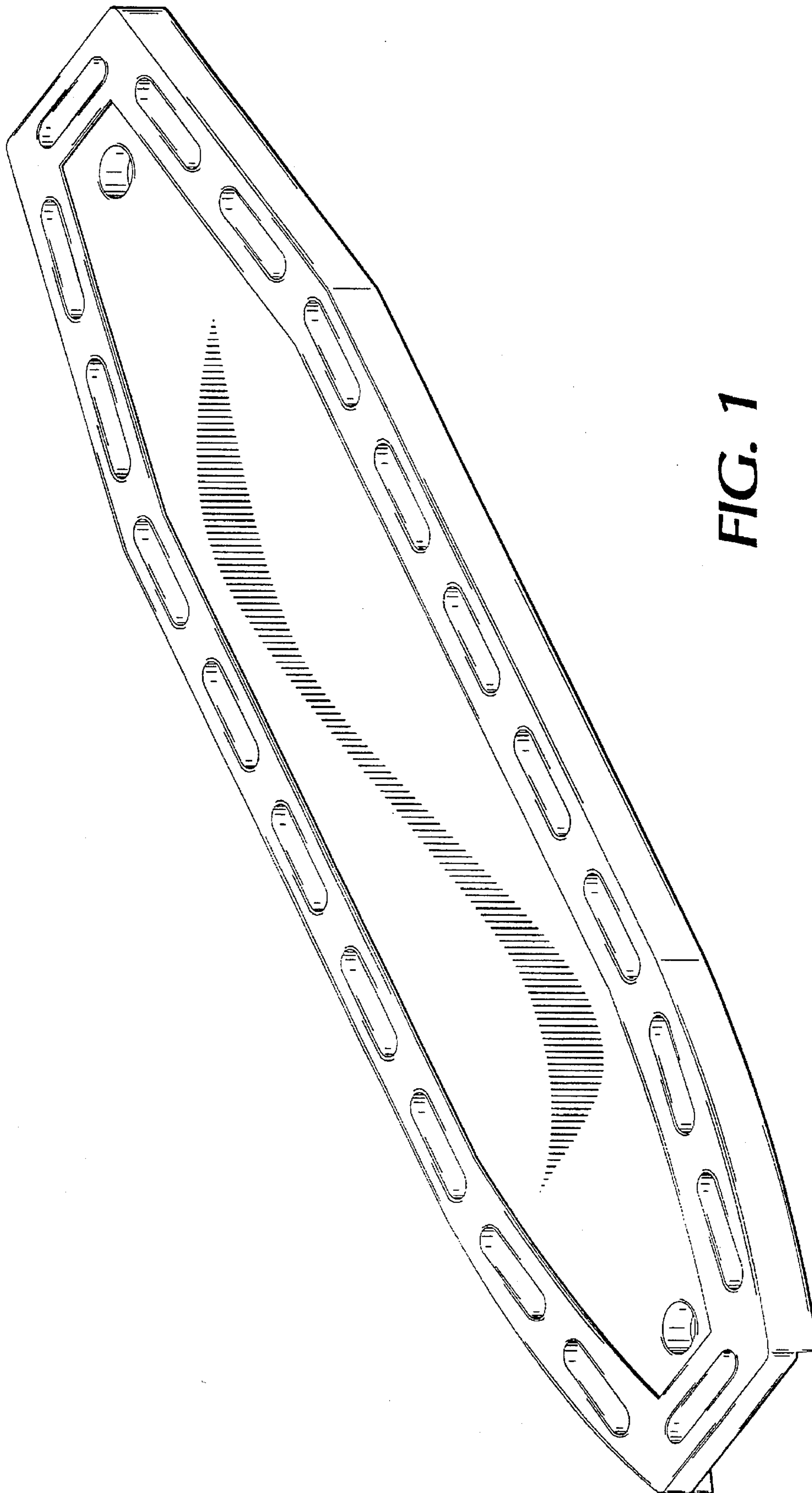


FIG. 1

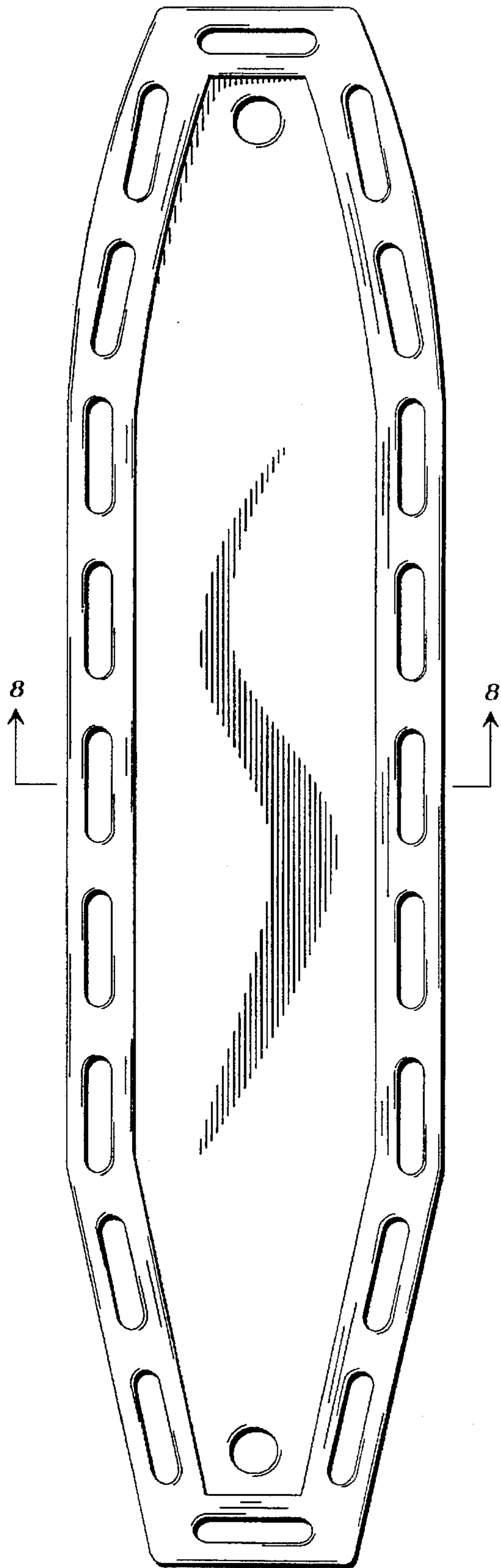


FIG. 2

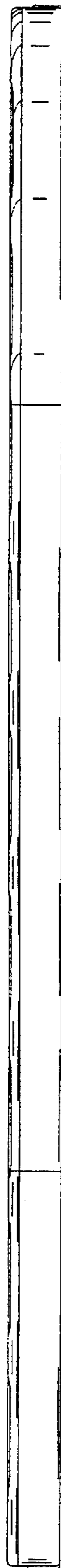


FIG. 3



FIG. 4



FIG. 5

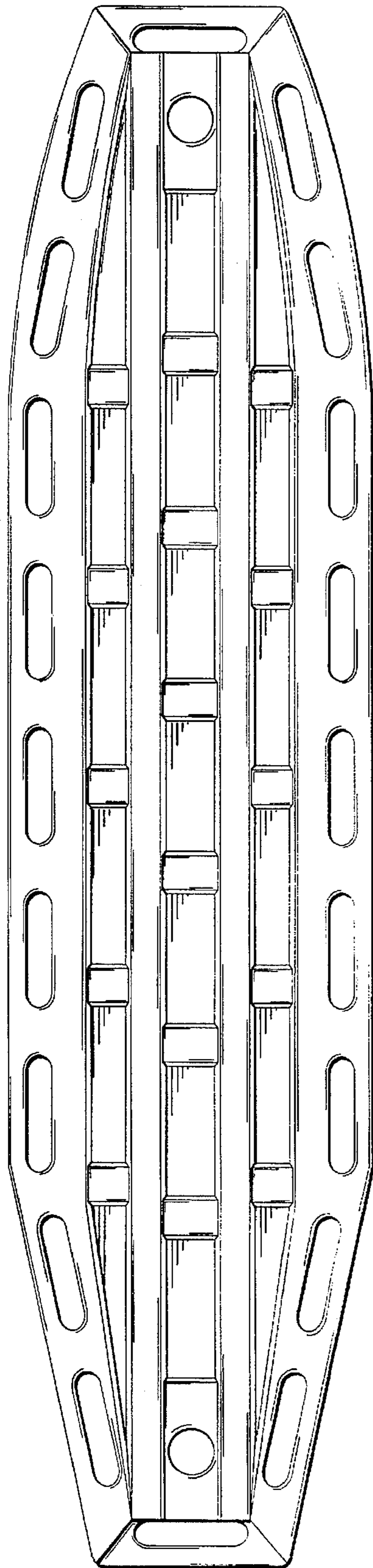


FIG. 6

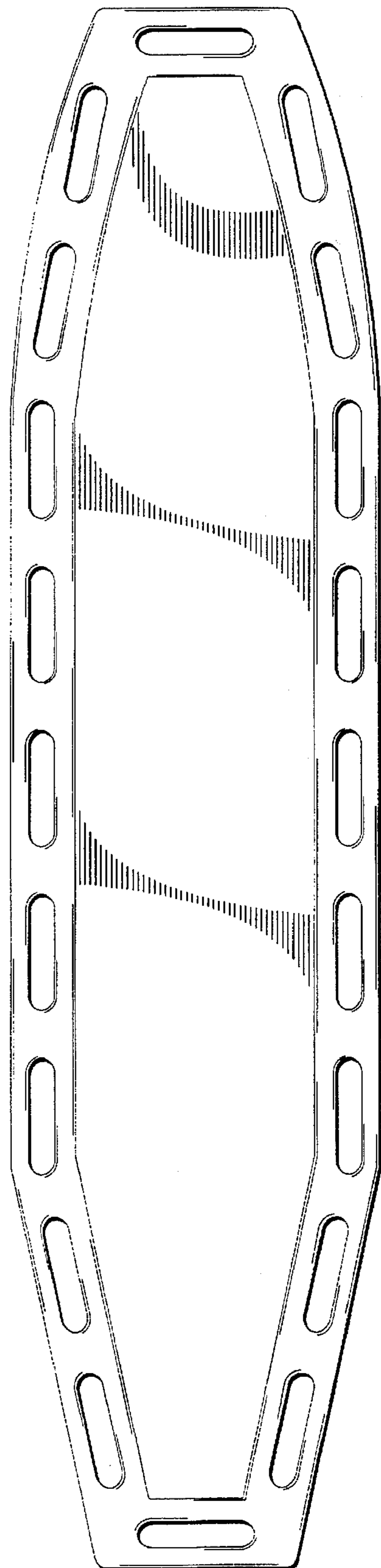


FIG. 10

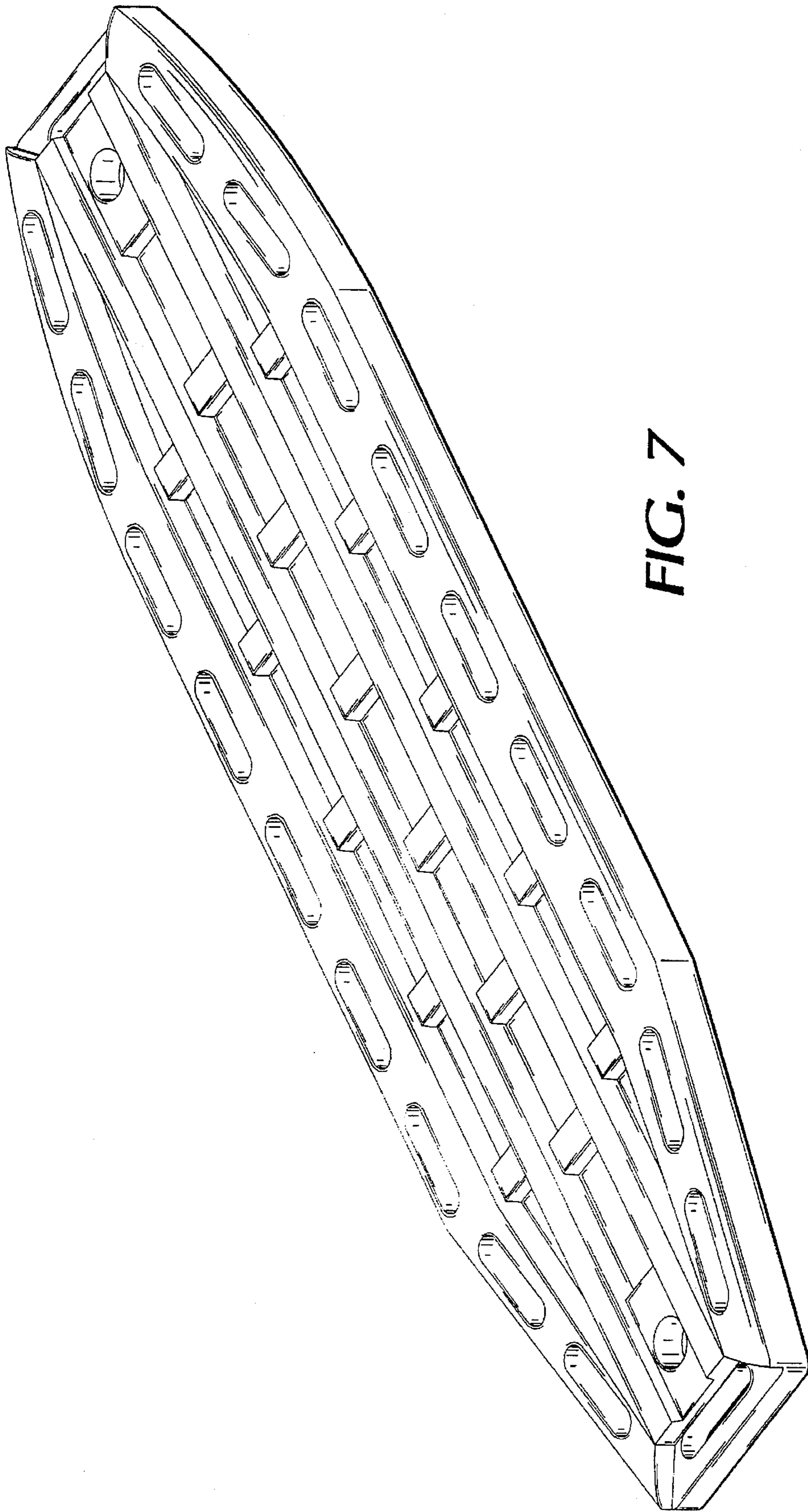


FIG. 7



FIG. 8

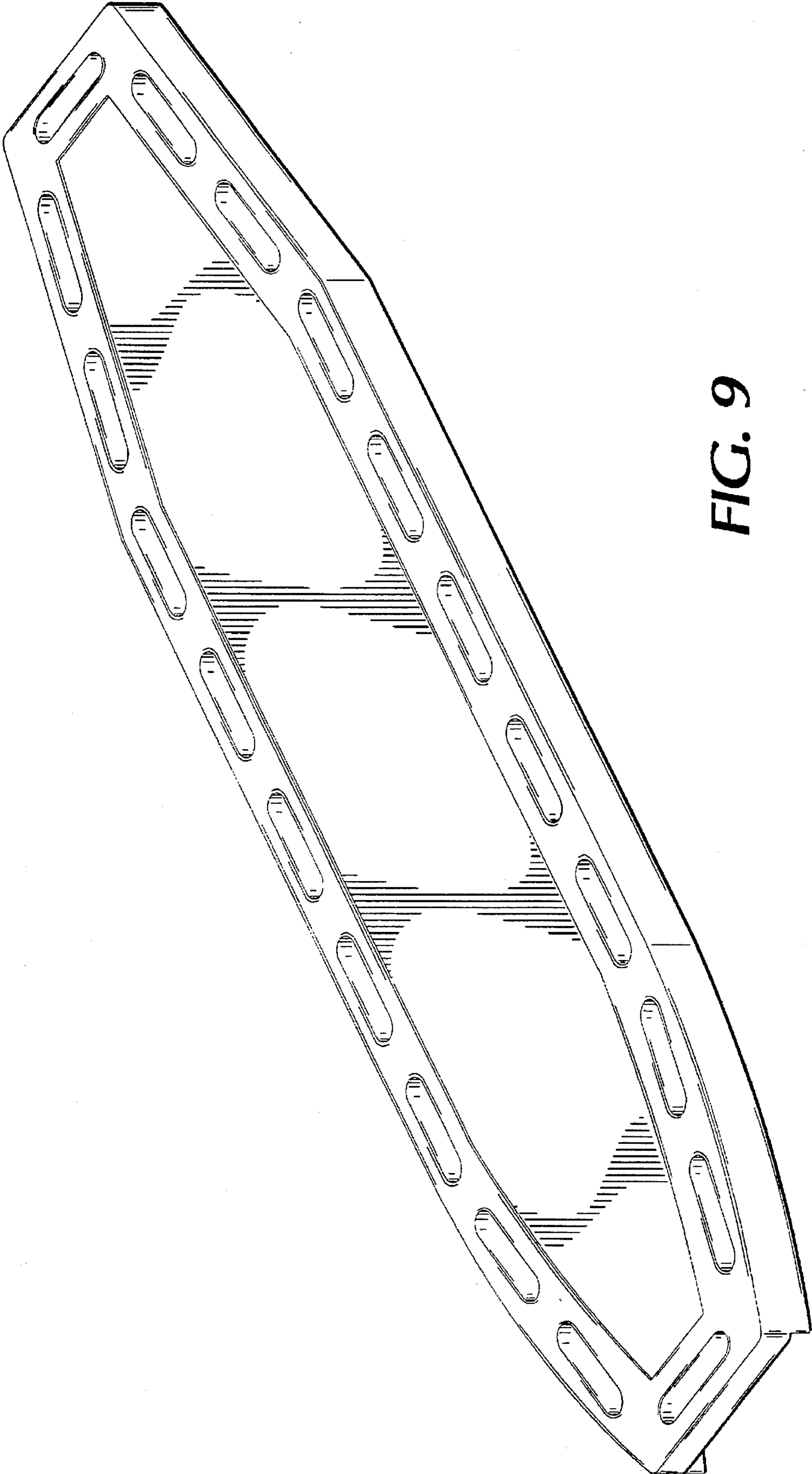


FIG. 9