



US00D379778S

United States Patent [19]

Weder et al.

[11] Patent Number: **Des. 379,778**

[45] Date of Patent: *****Jun. 10, 1997**

[54] **FLOWER POT COVER**

[75] Inventors: **Donald E. Weder; Joseph G. Straeter,**
both of Highland, Ill.

[73] Assignee: **Southpac Trust International, Inc.,**
Oklahoma City, Okla.

[*] Notice: The portion of the term of this patent
subsequent to Aug. 13, 2009, has been
disclaimed.

[**] Term: **14 Years**

[21] Appl. No.: **2,180**

[22] Filed: **Dec. 4, 1992**

Related U.S. Application Data

[63] Continuation-in-part of Ser. No. 808,358, Dec. 16, 1991,
Pat. No. Des. 363,447, which is a continuation-in-part of
Ser. No. 710,272, Jun. 4, 1991, Pat. No. Des. 365,302, which
is a continuation-in-part of Ser. No. 617,454, Nov. 21, 1990,
abandoned, and a continuation-in-part of Ser. No. 411,249,
Sep. 22, 1989, Pat. No. Des. 358,113, and a continuation-
in-part of Ser. No. 411,247, Sep. 22, 1989, abandoned, and
a continuation-in-part of Ser. No. 411,245, Sep. 22, 1989,
abandoned.

[51] **LOC (6) Cl.** **11-02**

[52] **U.S. Cl.** **D11/164**

[58] **Field of Search** D11/143, 149,
D11/152-156, 164, 89, 90; 47/66, 72; 206/423;
215/100.5; 229/1.5 R, 1.5 B, 4.5, 87.01,
922, 930, 108, 108.1, 109, 110; 428/27,
35.1, 24, 542.6; D9/346, 428-431; D27/102,
133; D26/128-136; D19/96; D7/540, 584,
586, 587, 354

[56] **References Cited**

U.S. PATENT DOCUMENTS

D. 292,182	10/1987	Weder et al.	D11/164
D. 292,562	11/1987	Weder et al.	D11/164
D. 293,224	12/1987	Weder et al.	D11/164
D. 293,775	1/1988	Weder et al.	D11/164
D. 317,583	6/1991	Weder et al.	D11/164
D. 318,030	7/1991	Weder et al.	D11/164

D. 326,245	5/1992	Weder	D11/143
D. 327,234	6/1992	Vaughn	D11/143
D. 327,235	6/1992	Weder	D11/152
1,065,486	6/1913	Washburn	229/1.5 B
2,054,934	9/1936	Graffenberger	229/1.5 B
2,102,510	12/1937	Cecil	229/1.5 B
2,355,559	8/1944	Renner	229/8
5,127,817	7/1992	Weder et al.	425/383

FOREIGN PATENT DOCUMENTS

103316	3/1938	Australia	229/922
--------	--------	-----------	-------	---------

OTHER PUBLICATIONS

Exhibit A—Speed Cover® Brochure—The Simple Solution
... , ©1989.

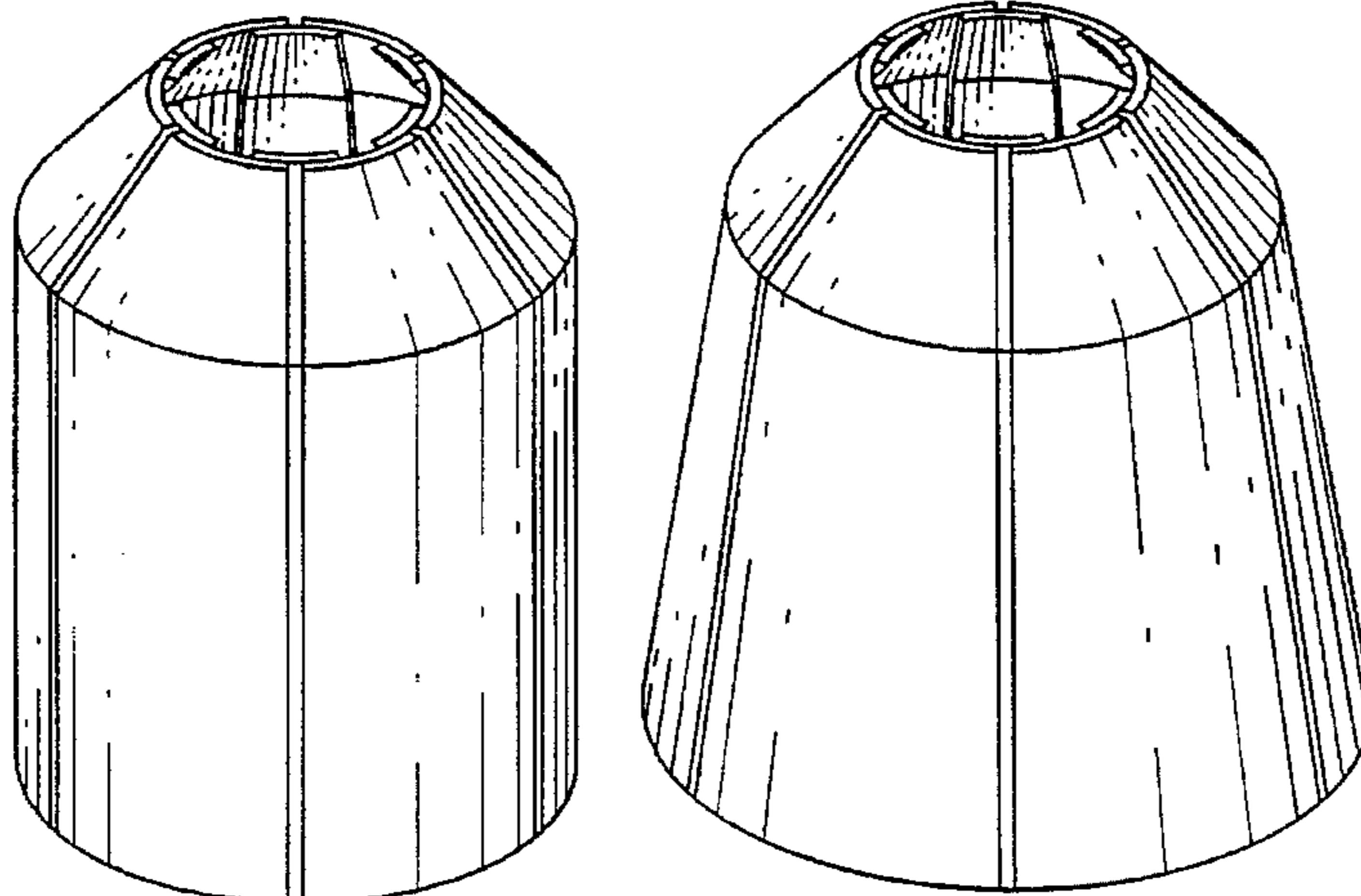
Primary Examiner—Jeffrey Asch
Attorney, Agent, or Firm—Dunlap & Coddling, P.C.

[57] **CLAIM**

The ornamental design for a flower pot cover, as shown and
described.

DESCRIPTION

FIG. 1 is a perspective view of our new flower pot cover design;
 FIG. 2 is a reduced side elevational view thereof;
 FIG. 3 is a reduced top plan view thereof;
 FIG. 4 is a reduced bottom plan view thereof;
 FIG. 5 is a reduced side elevational view of a second
 embodiment of the design of FIG. 1, the only difference
 being the height;
 FIG. 6 is a reduced side elevational view of a third embodi-
 ment of the design of FIG. 1, the only difference being the
 height;
 FIG. 7 is a perspective view of a fourth embodiment of our
 new flower pot cover design;
 FIG. 8 is a reduced side elevational view thereof;
 FIG. 9 is a reduced top plan view thereof;
 FIG. 10 is a reduced bottom plan view thereof;
 FIG. 11 is a reduced side elevational view of a fifth embodi-
 ment of the flower pot cover design, the only difference over
 FIG. 7 being in the height; and,
 FIG. 12 is a reduced side elevational view of a sixth
 embodiment of the flower pot cover design, the only differ-
 ence over FIG. 7 being in the height.



The characteristic feature of the design resides in the specific pleating arrangement, comprised of the parallel disposition of the exterior folds in combination with the interior V-shaped folds.

The flower pot cover has no substantial thickness.

1 Claim, 2 Drawing Sheets

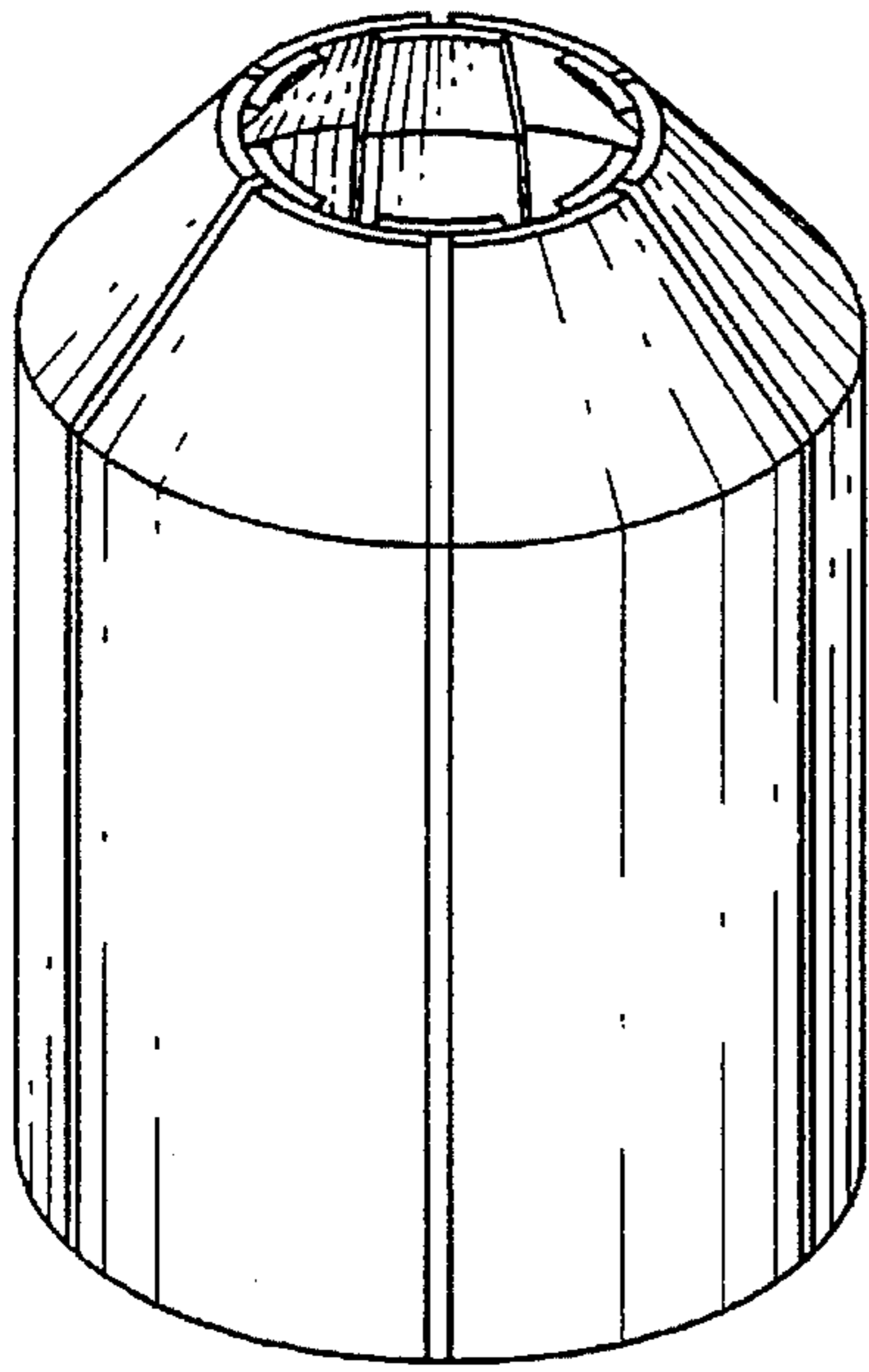


Fig. 1

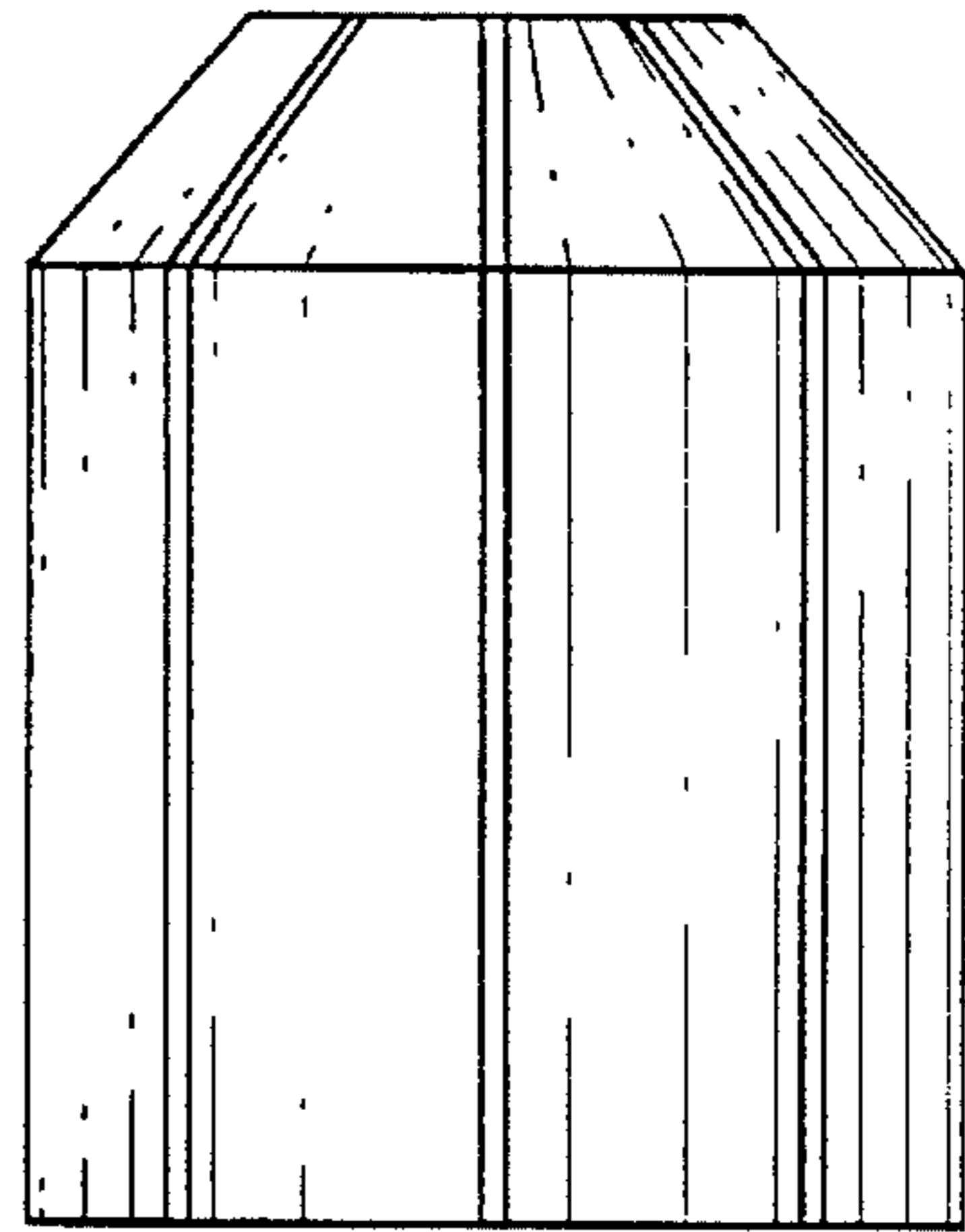


Fig. 2

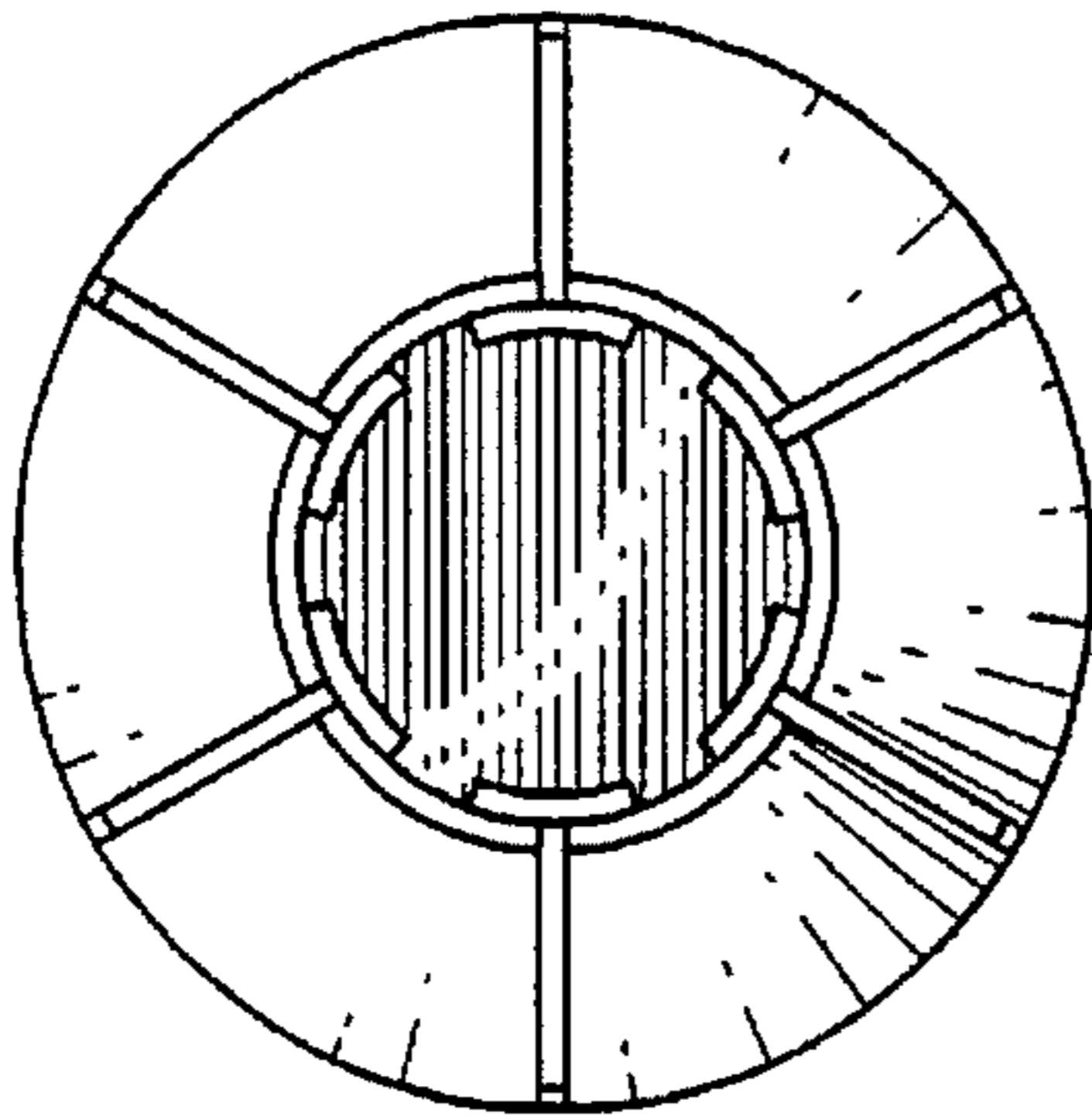


Fig. 3

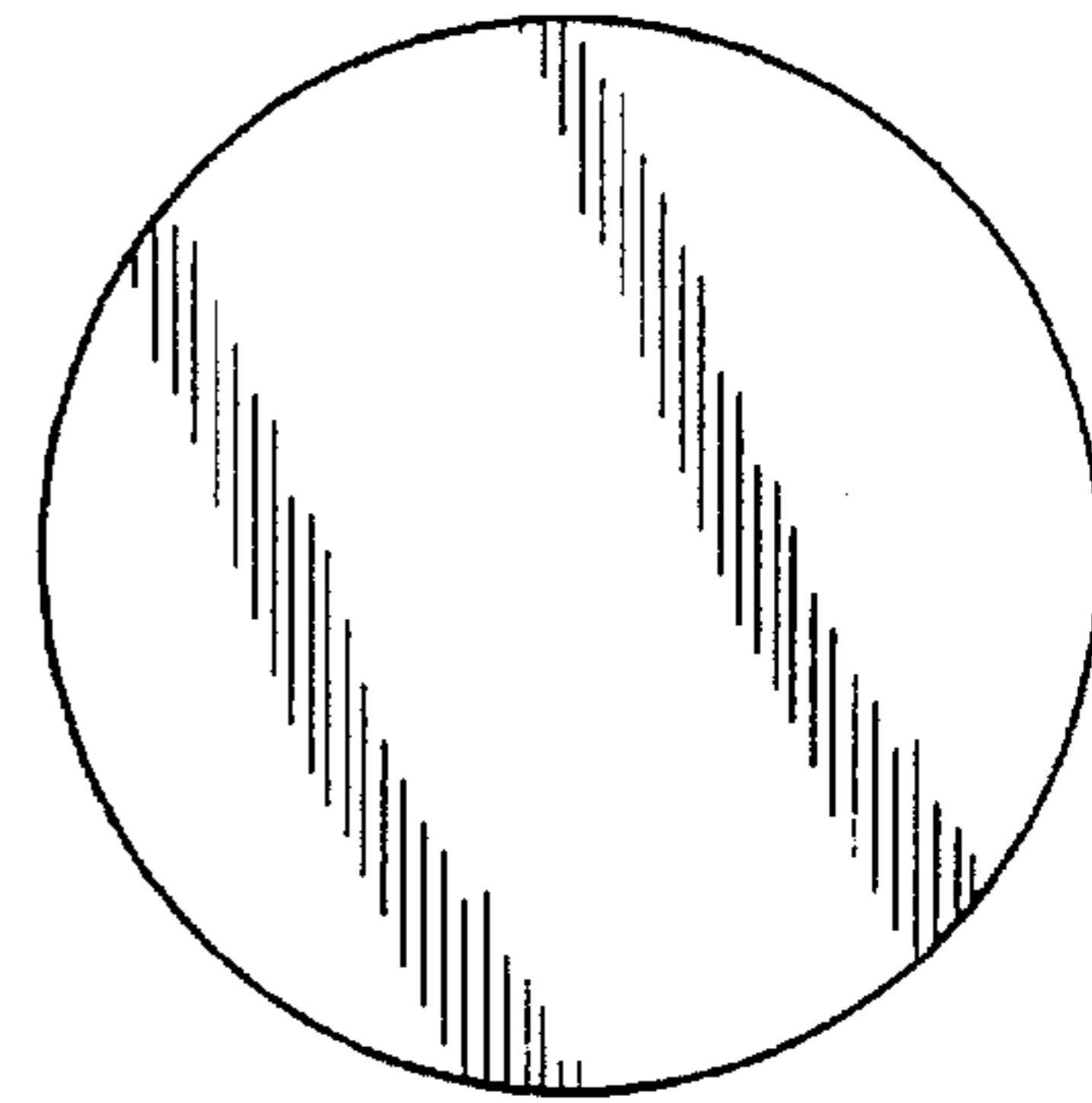


Fig. 4

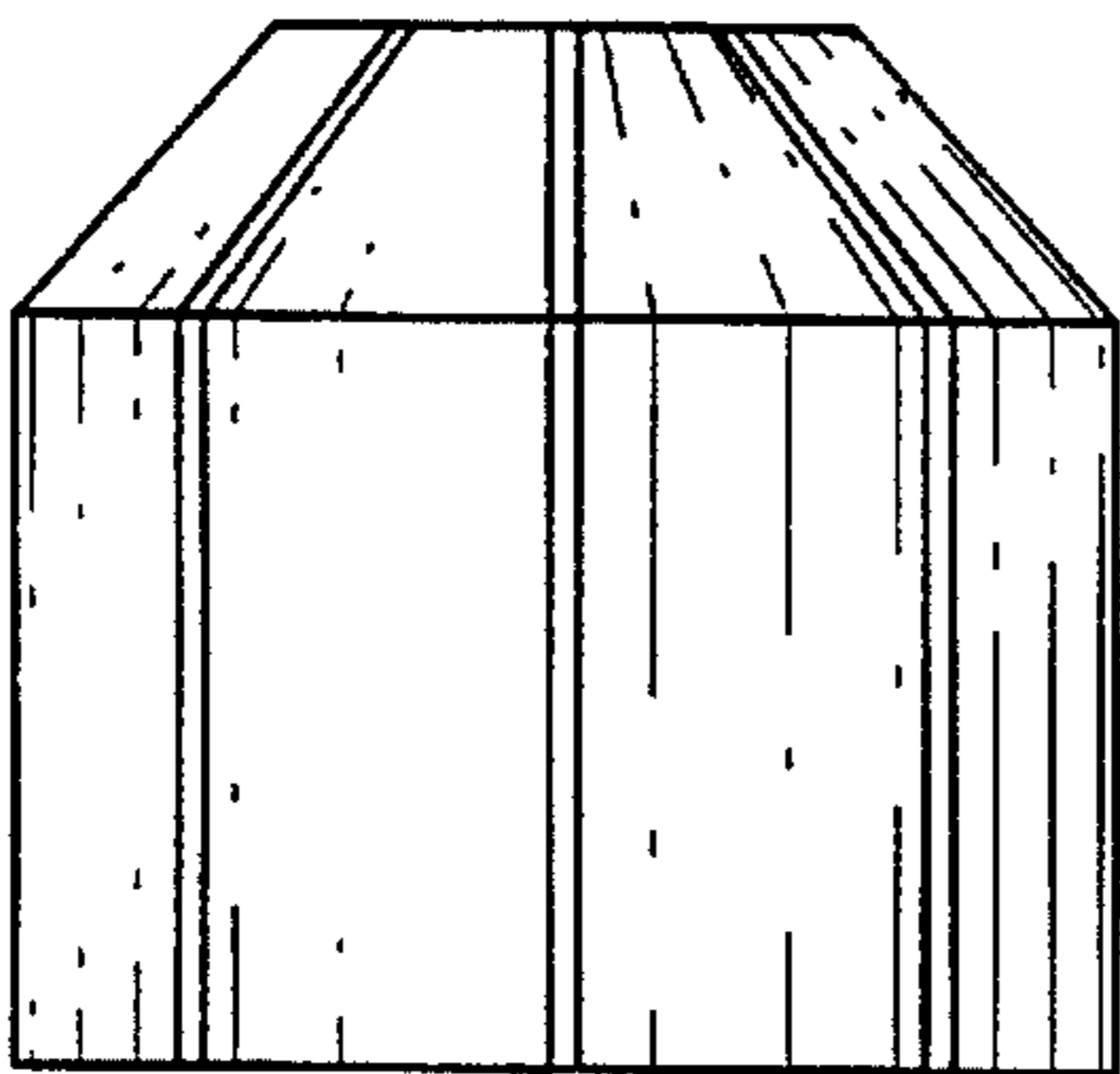


Fig. 5

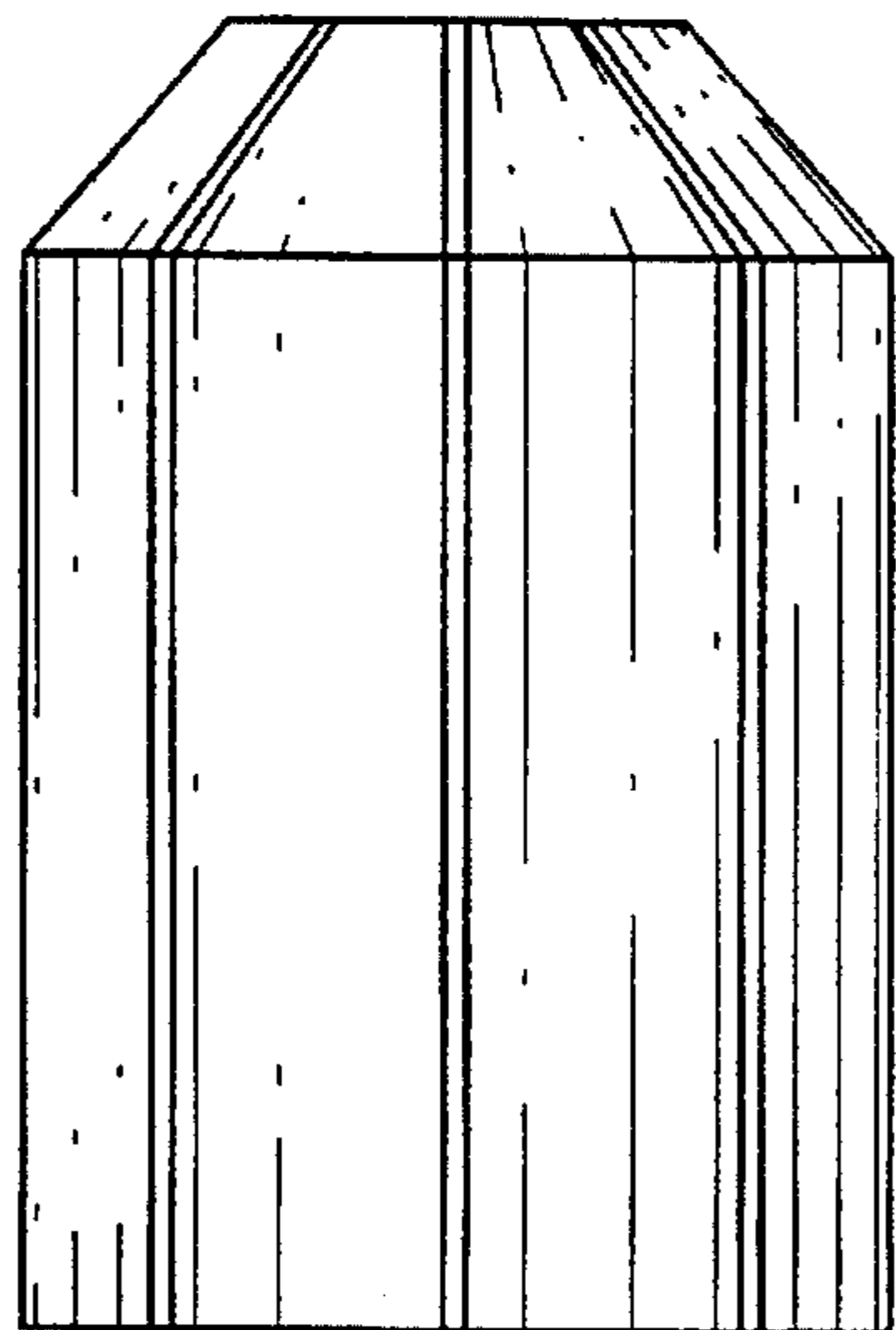


Fig. 6

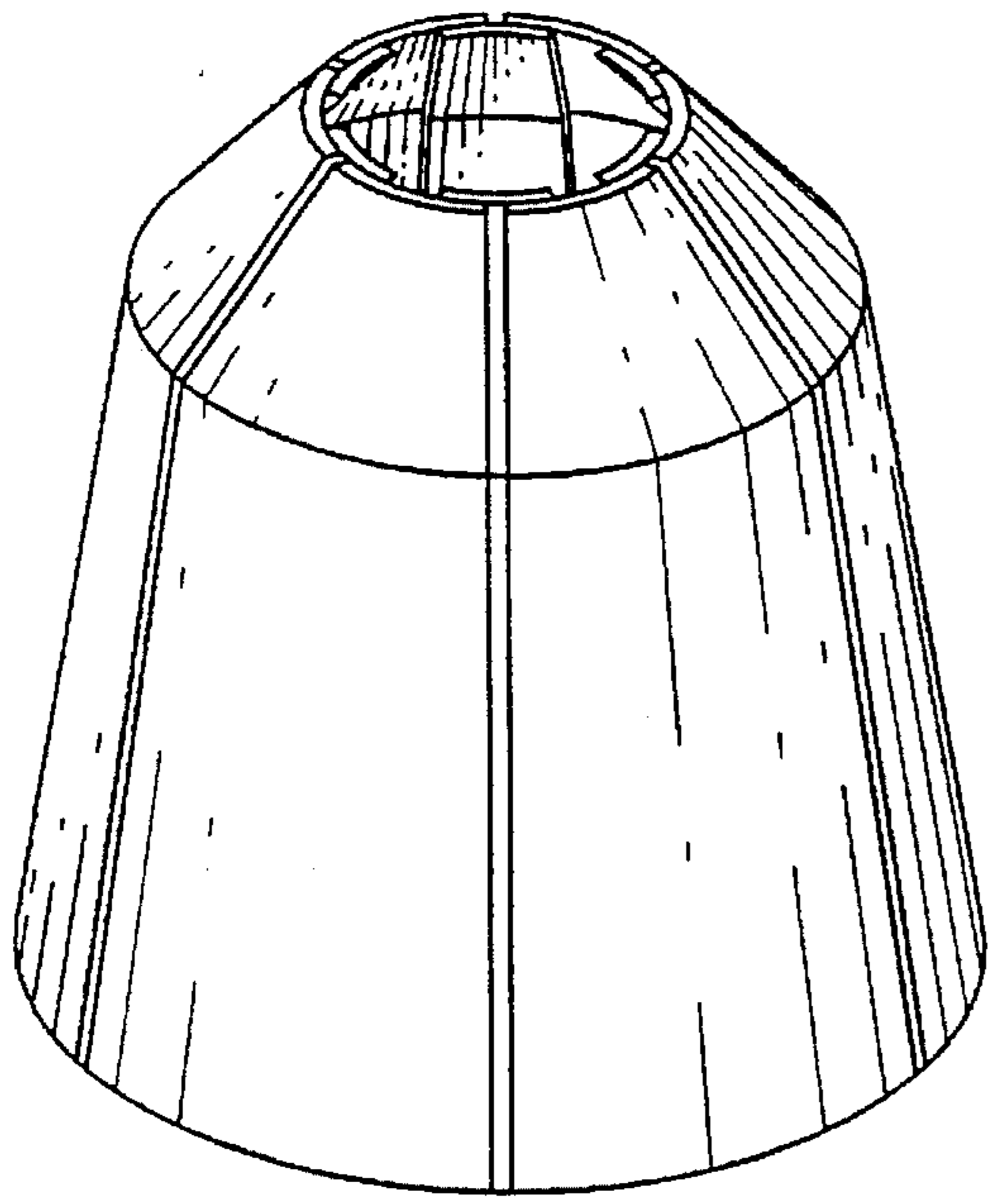


Fig. 7

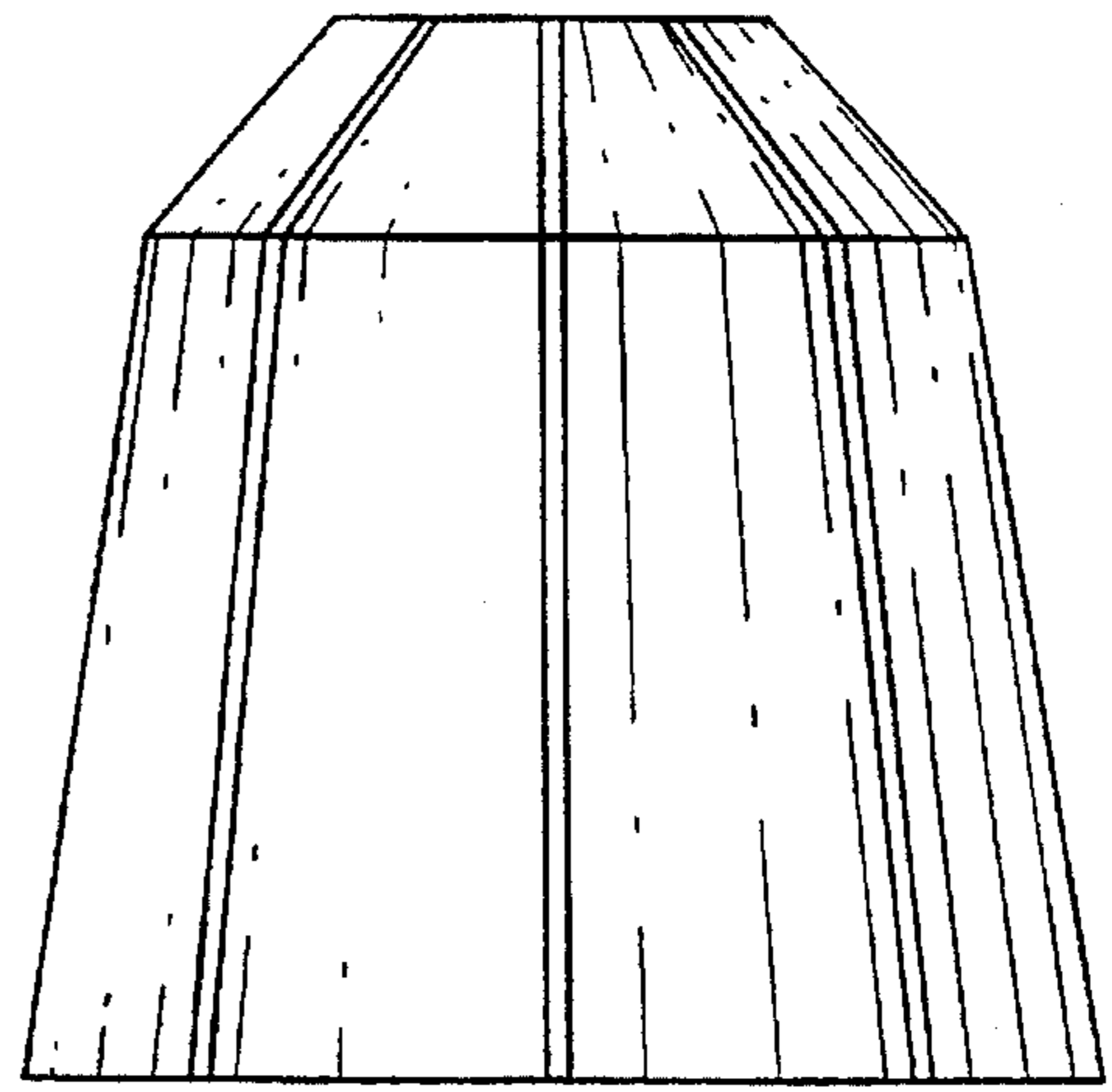


Fig. 8

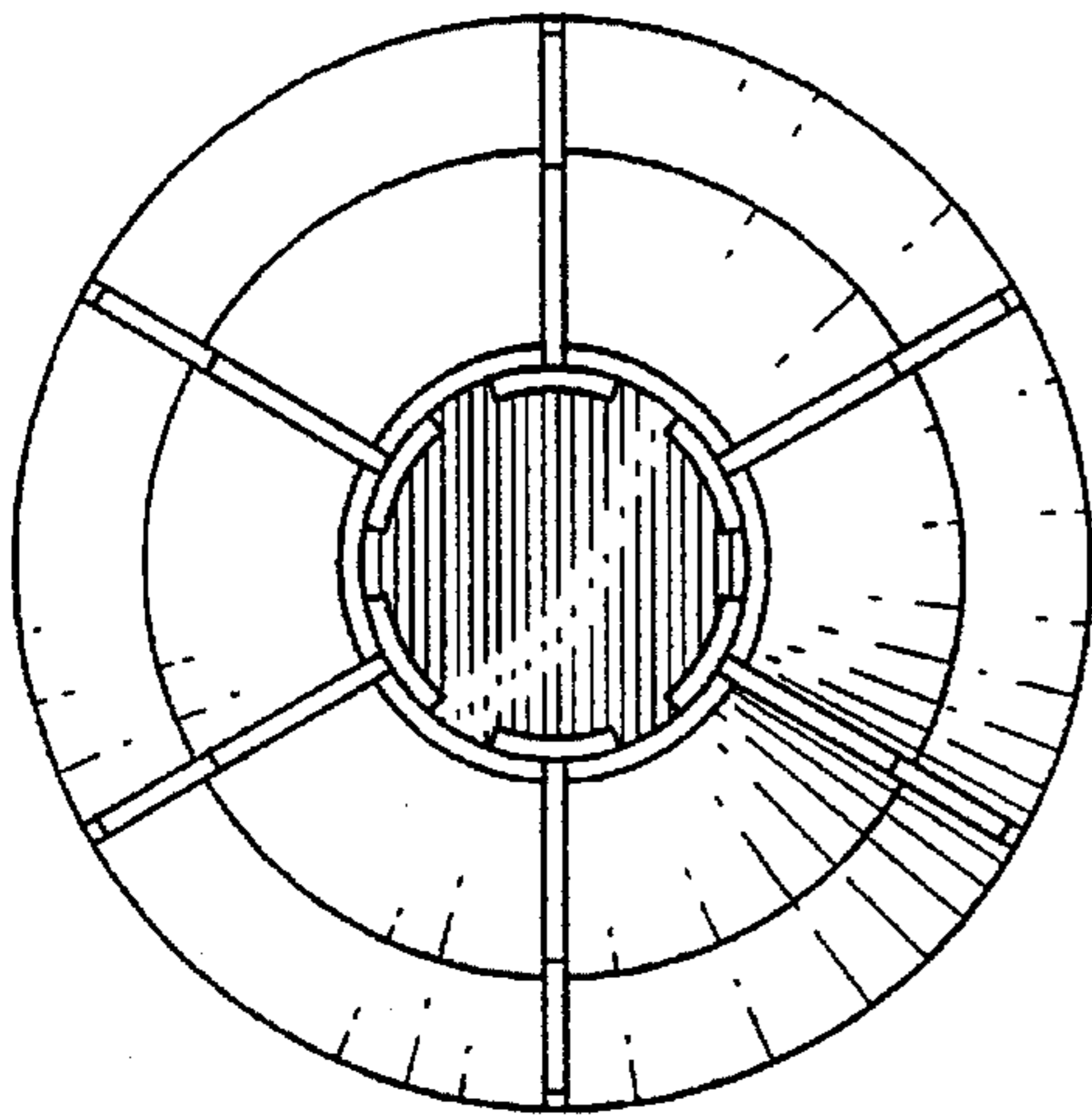


Fig. 9

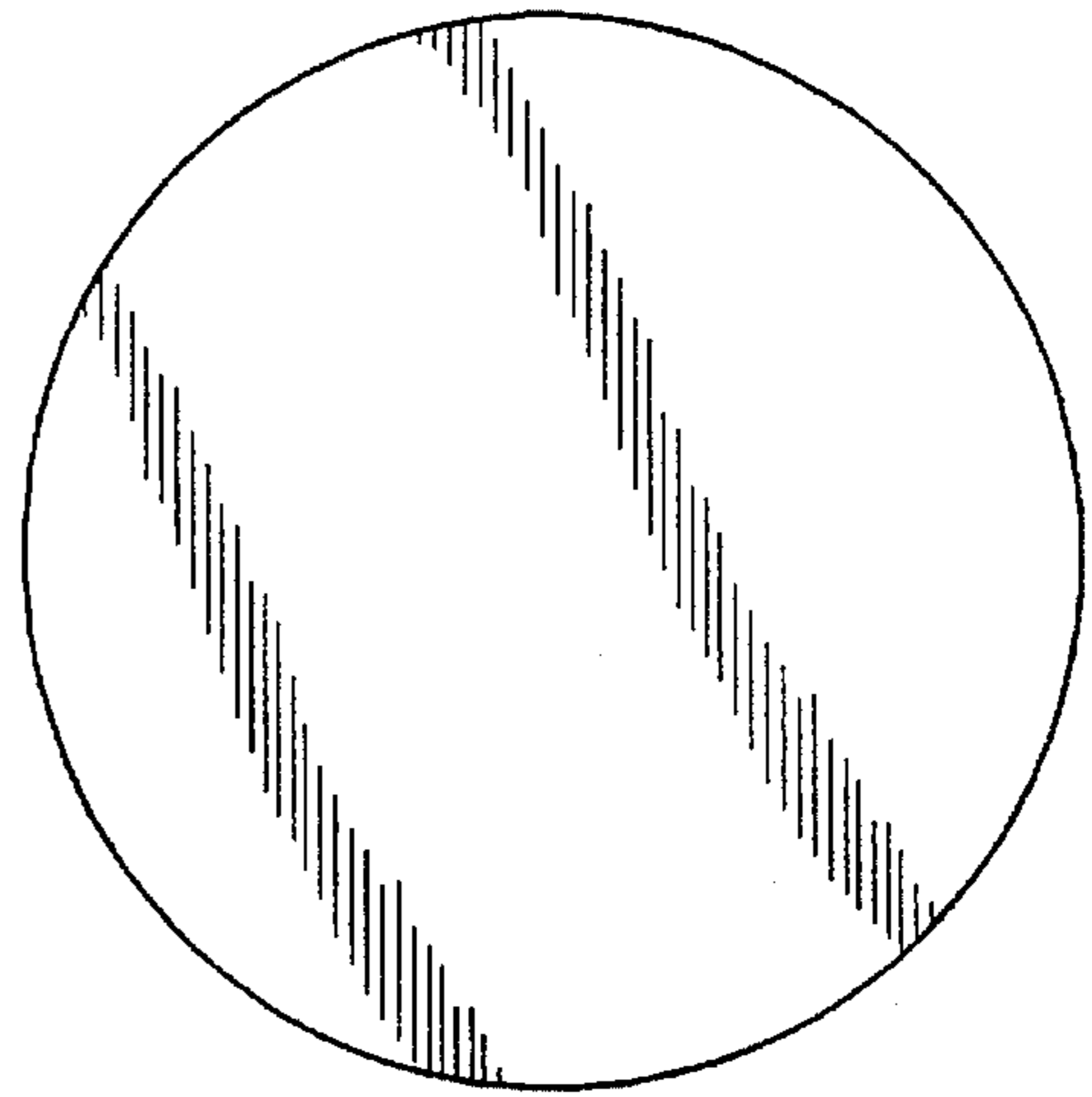


Fig. 10

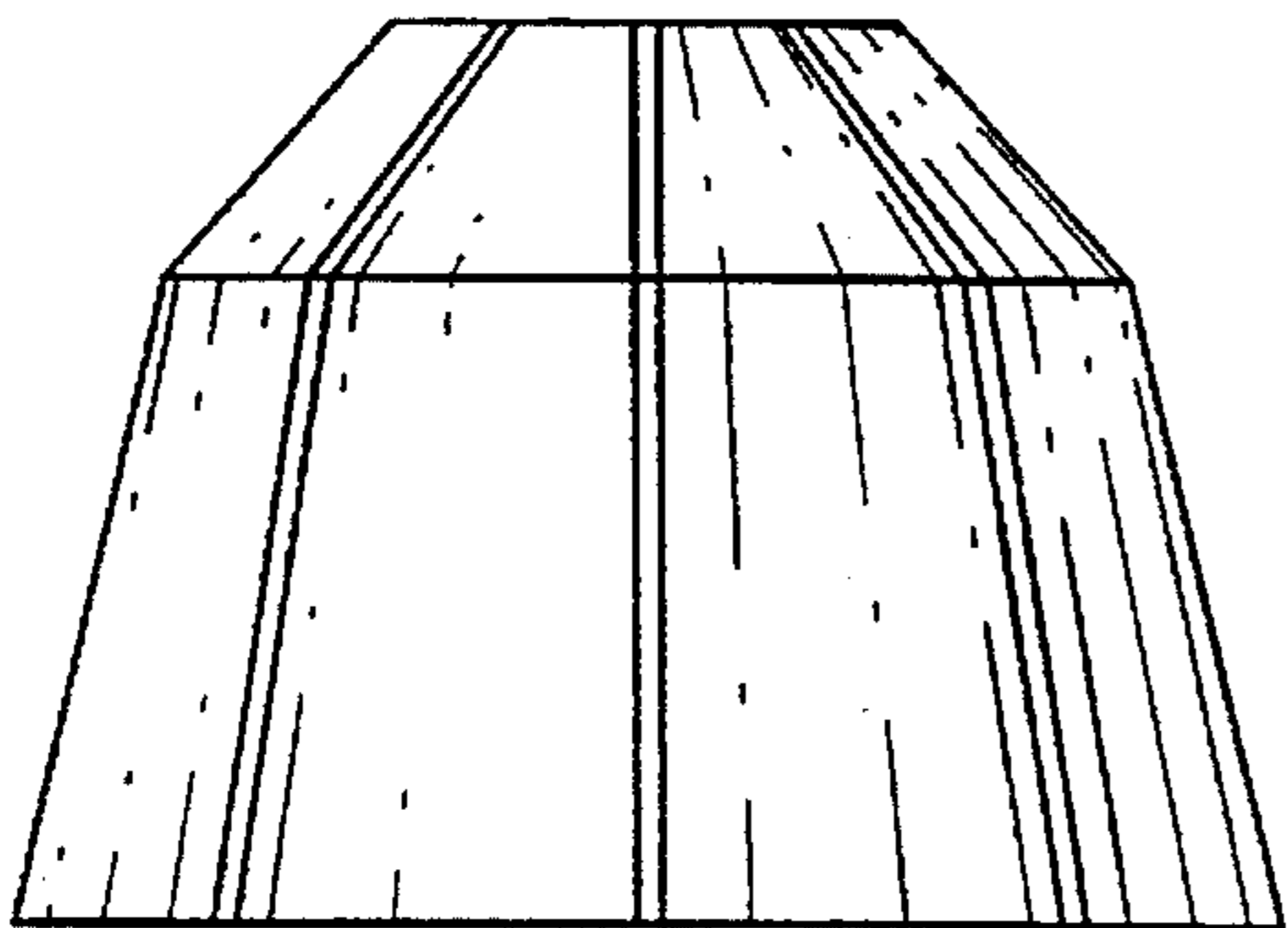


Fig. 11

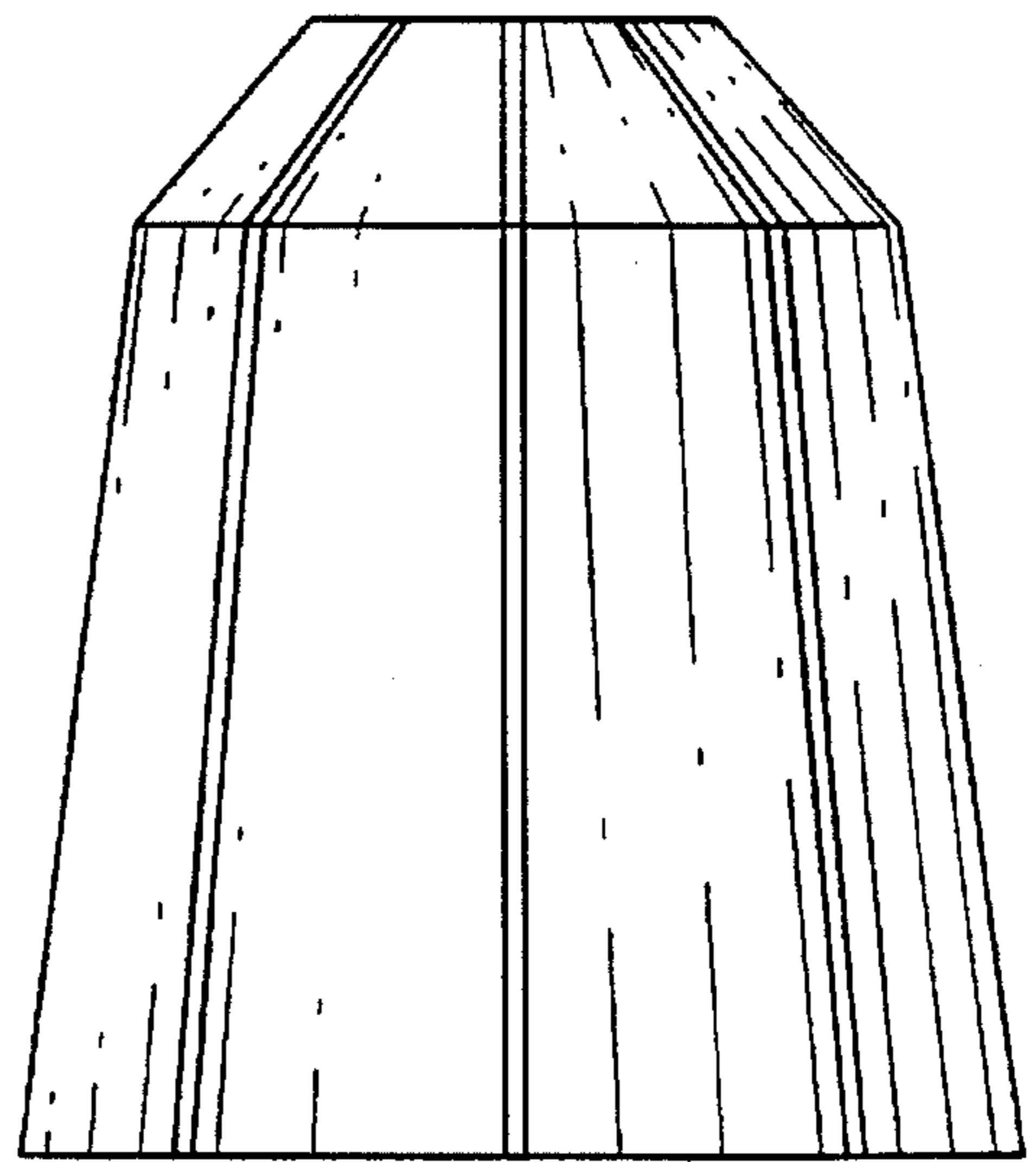


Fig. 12