



US00D379772S

**United States Patent** [19]  
**Fabian**

[11] **Patent Number: Des. 379,772**

[45] **Date of Patent: \*\*Jun. 10, 1997**

[54] **DIGITAL KITCHEN SCALE**

D. 329,025 9/1992 Storsberg ..... D10/91

[75] **Inventor: Wolfgang Fabian, Mannheim, Germany**

*Primary Examiner*—Antoine Duval Davis  
*Attorney, Agent, or Firm*—Jones, Tullar & Cooper, P.C.

[73] **Assignee: Soehnle-Waagen GmbH & Co.,  
Murrhardt, Germany**

[57] **CLAIM**

[\*\*] **Term: 14 Years**

The ornamental design for a digital kitchen scale, as shown and described.

[21] **Appl. No.: 47,133**

[22] **Filed: Nov. 27, 1995**

**DESCRIPTION**

[30] **Foreign Application Priority Data**

Oct. 19, 1995 [DE] Germany ..... DM/034432

FIG. 1 is a perspective front view of a digital kitchen scale showing my new design with a bowl;

[51] **LOC (6) Cl. .... 10-04**

FIG. 2 is a perspective side view thereof;

[52] **U.S. Cl. .... D10/91**

FIG. 3 is a left side elevational view thereof;

[58] **Field of Search ..... D10/89, 91; 177/225-231,  
177/238-245**

FIG. 4 is a right side elevational view thereof;

FIG. 5 is a top view thereof;

FIG. 6 is a bottom view thereof;

FIG. 7 is a rear view thereof; and,

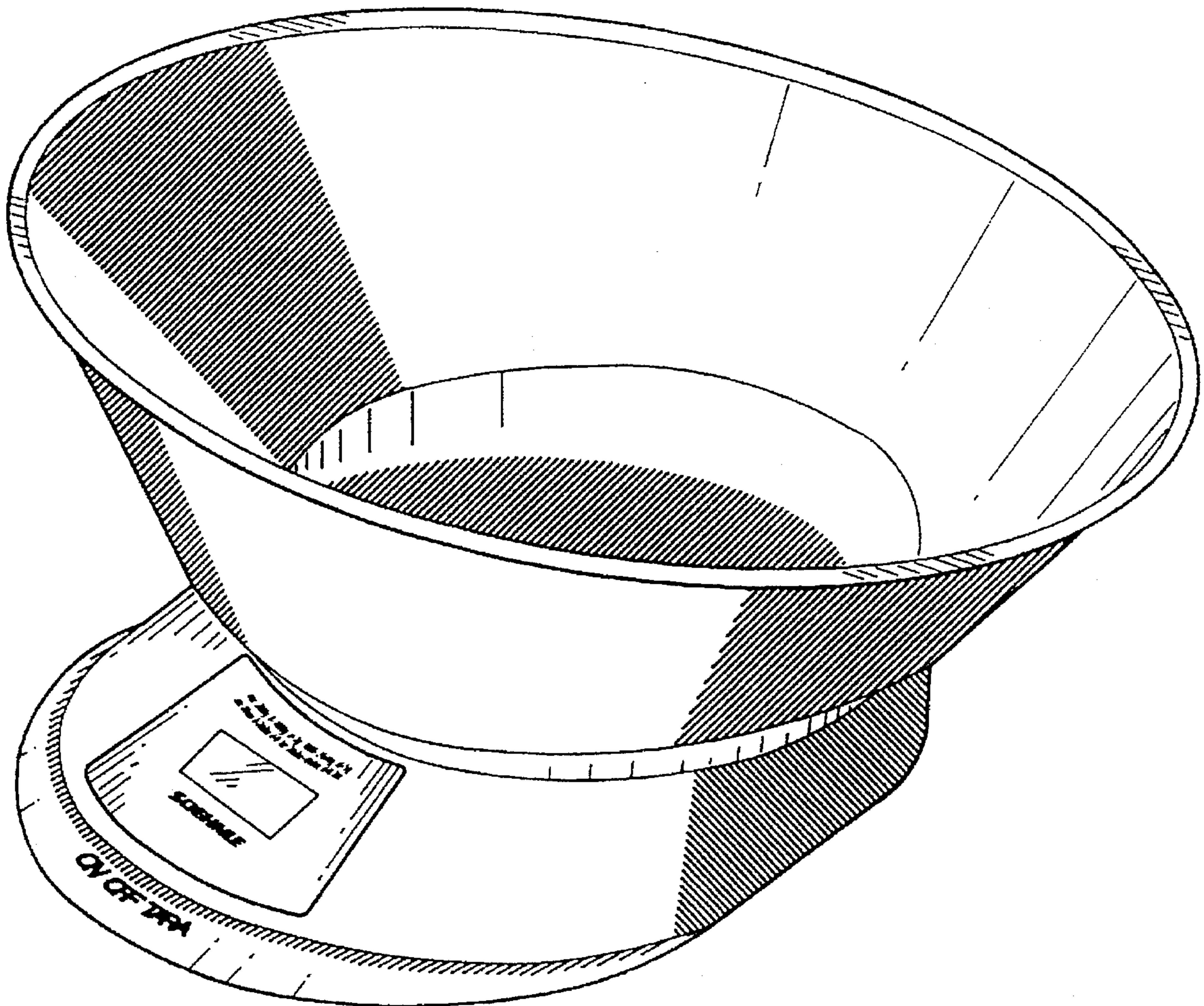
FIG. 8 is a front view thereof.

[56] **References Cited**

**U.S. PATENT DOCUMENTS**

D. 141,724 6/1945 Palma, Jr. .... D10/91

**1 Claim, 8 Drawing Sheets**



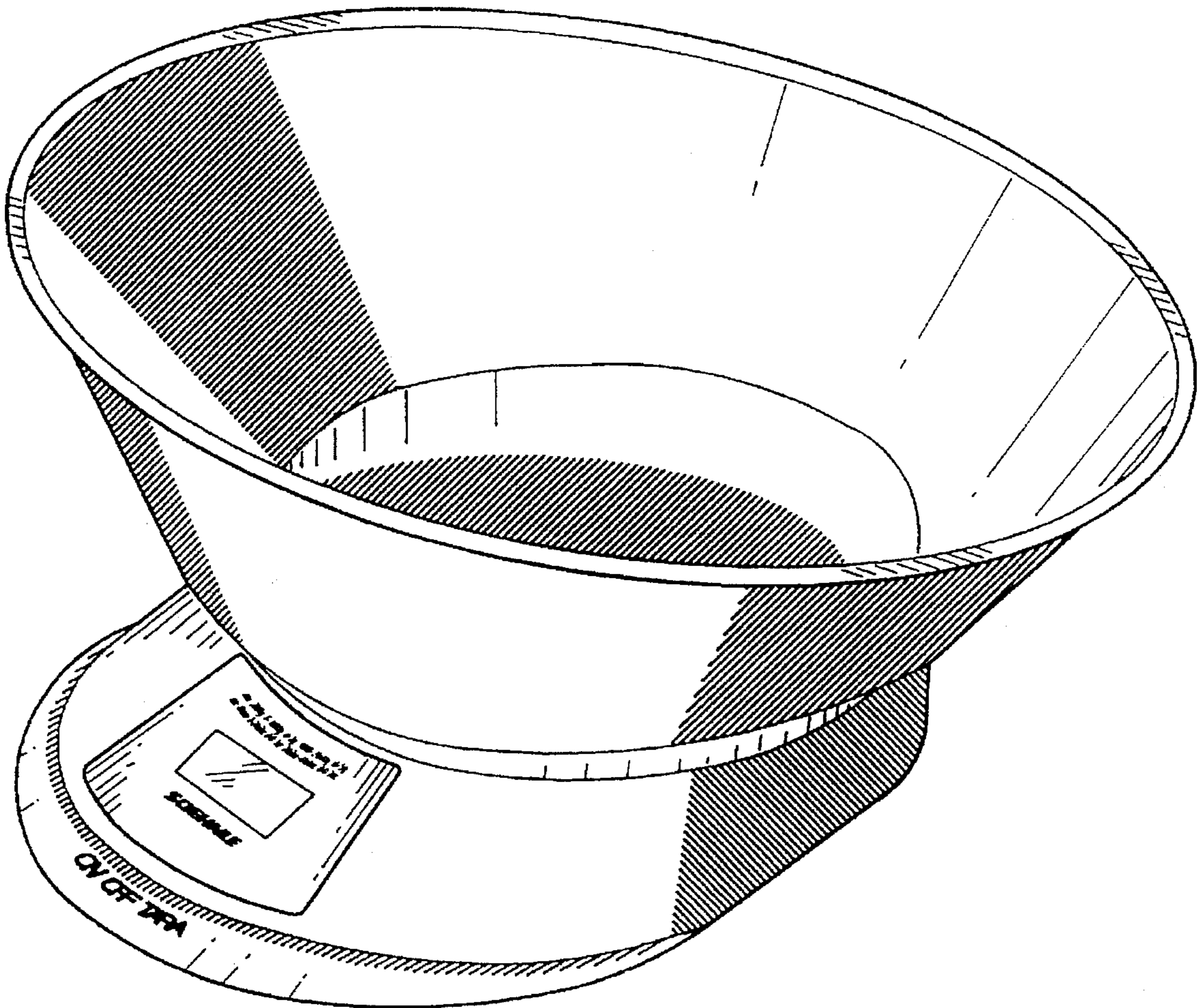


FIG. 1

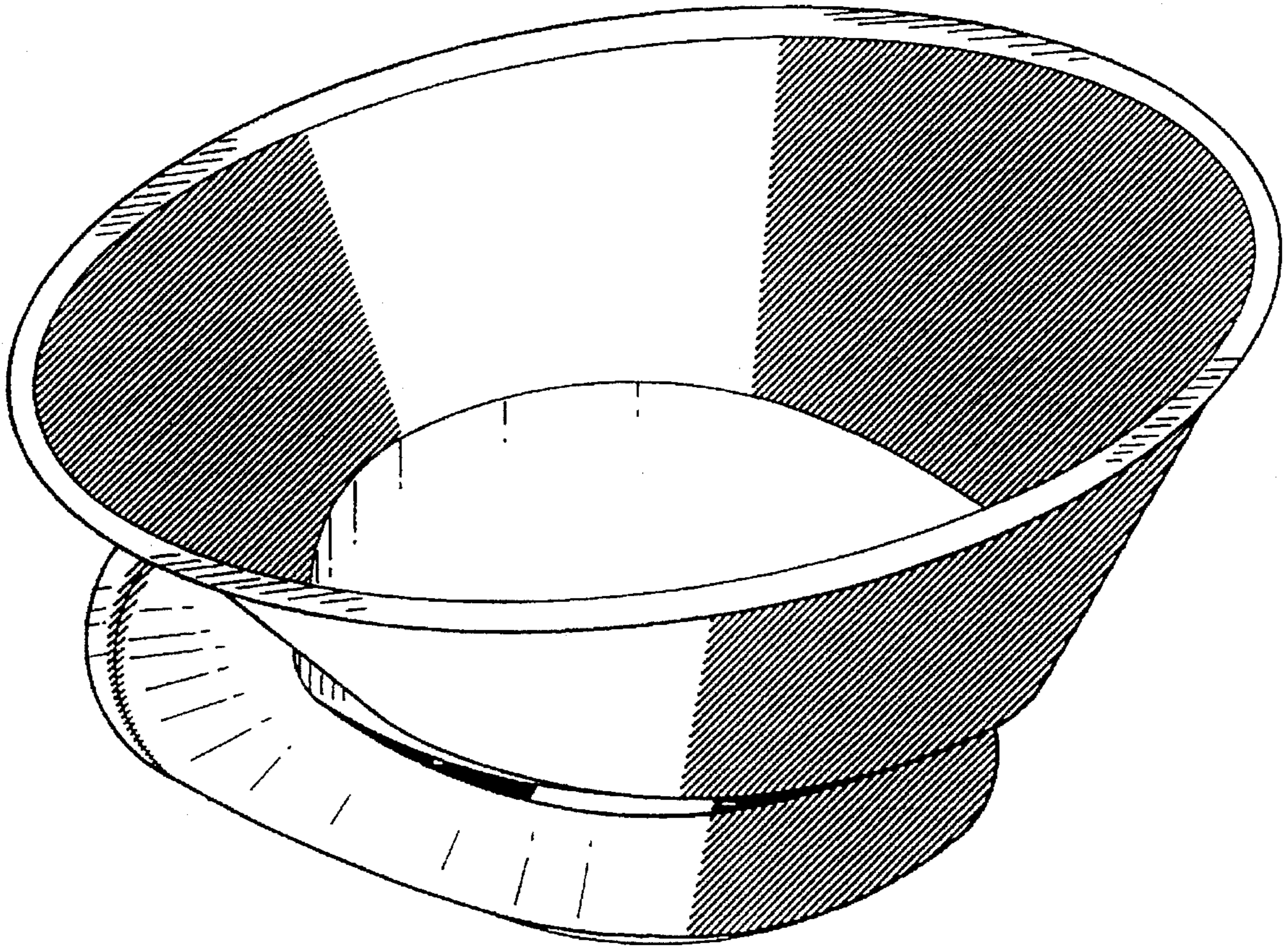


FIG. 2

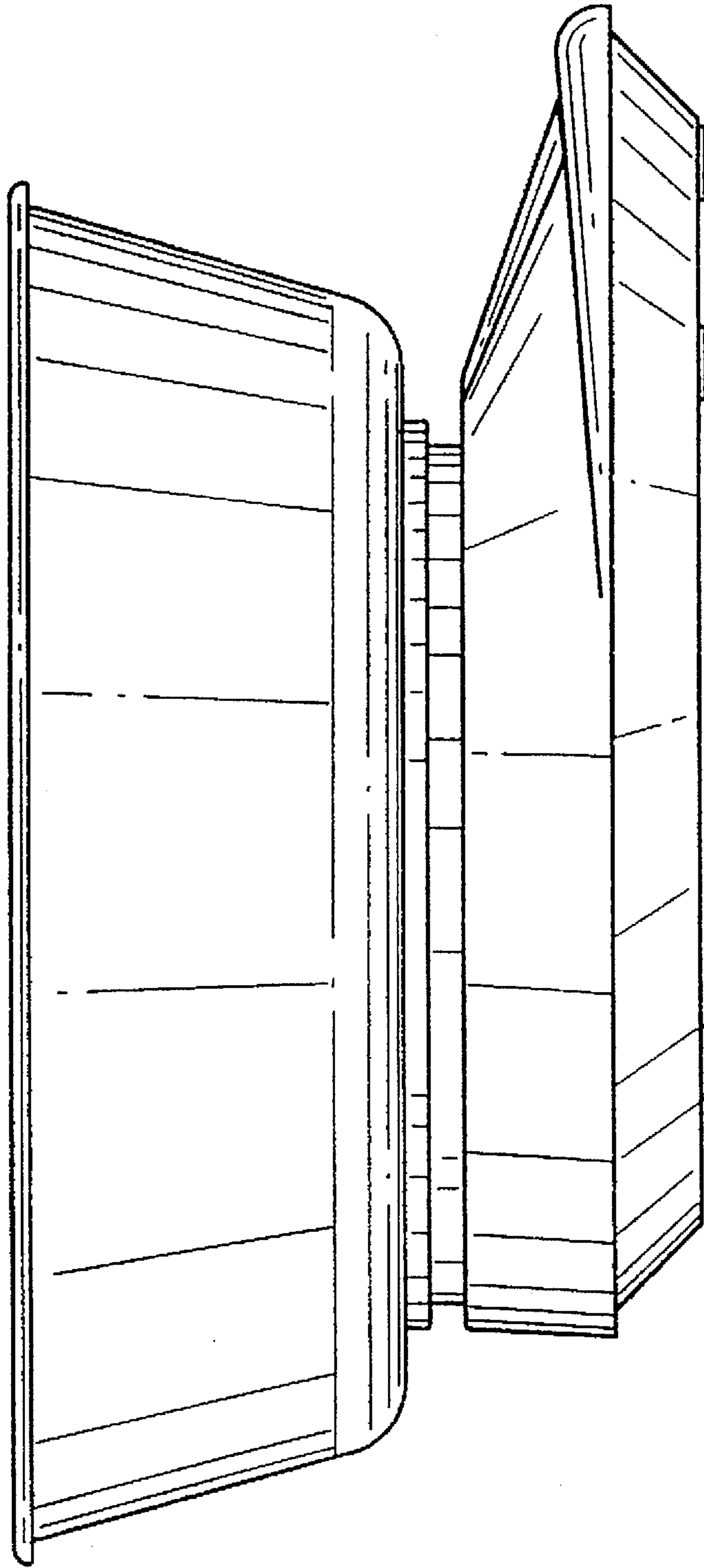


FIG. 3

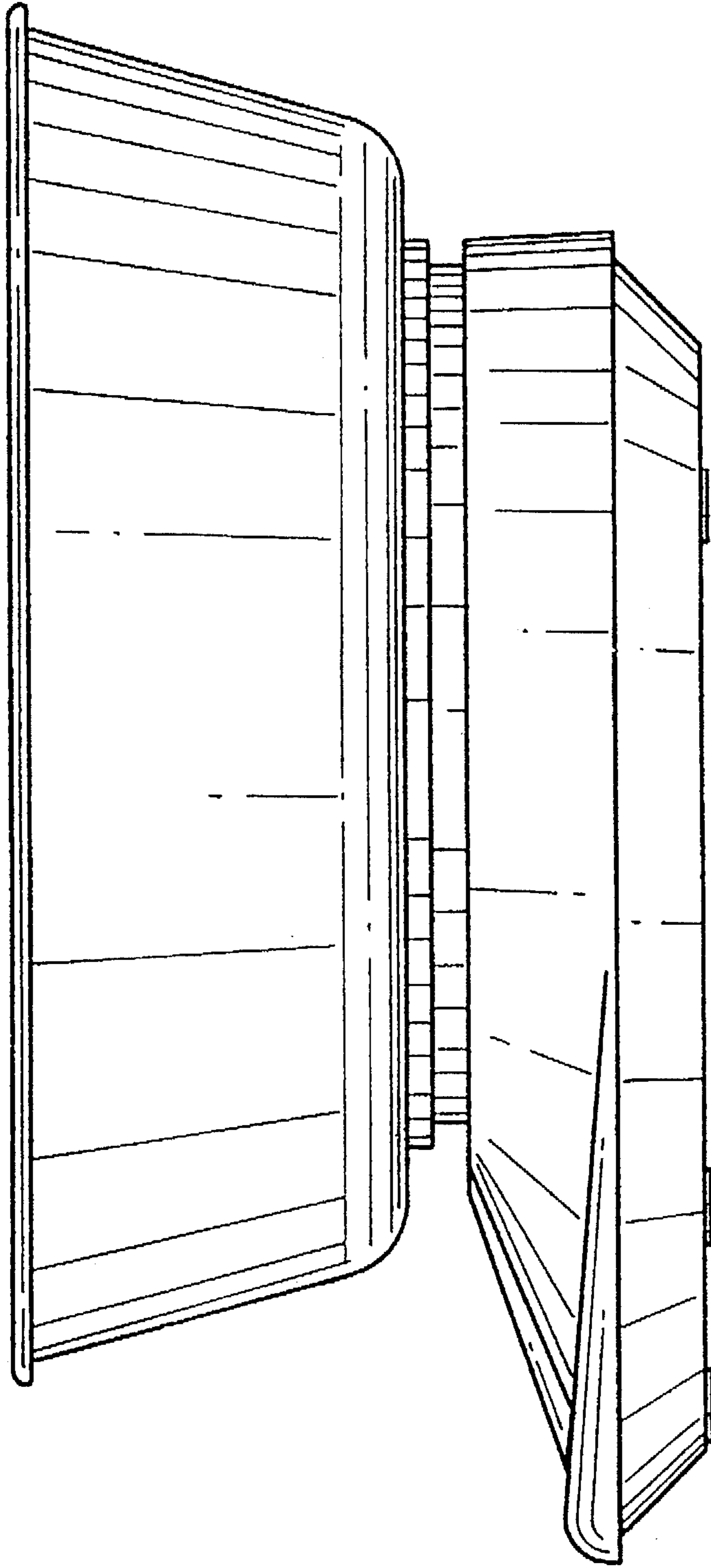


FIG. 4

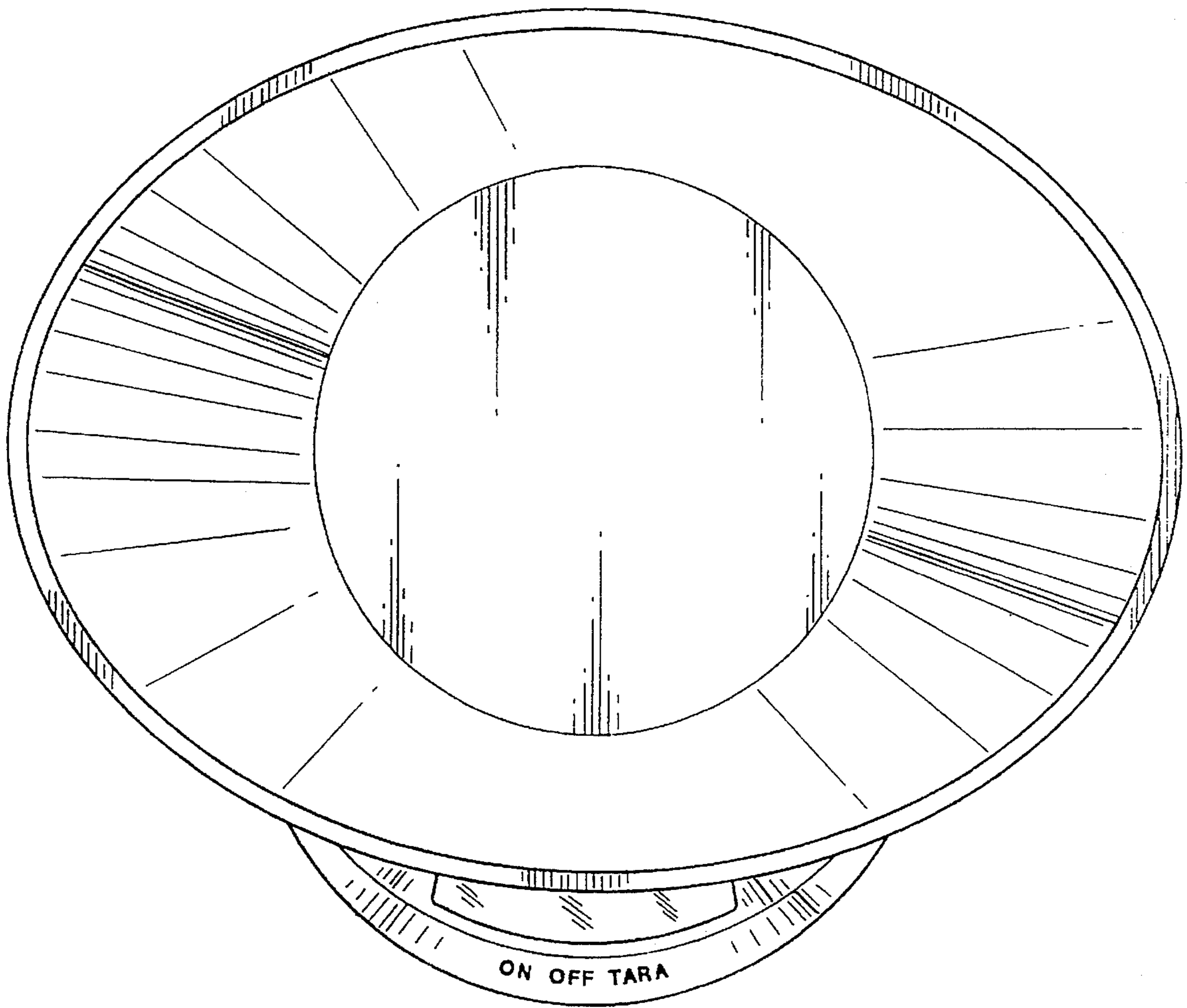


FIG. 5

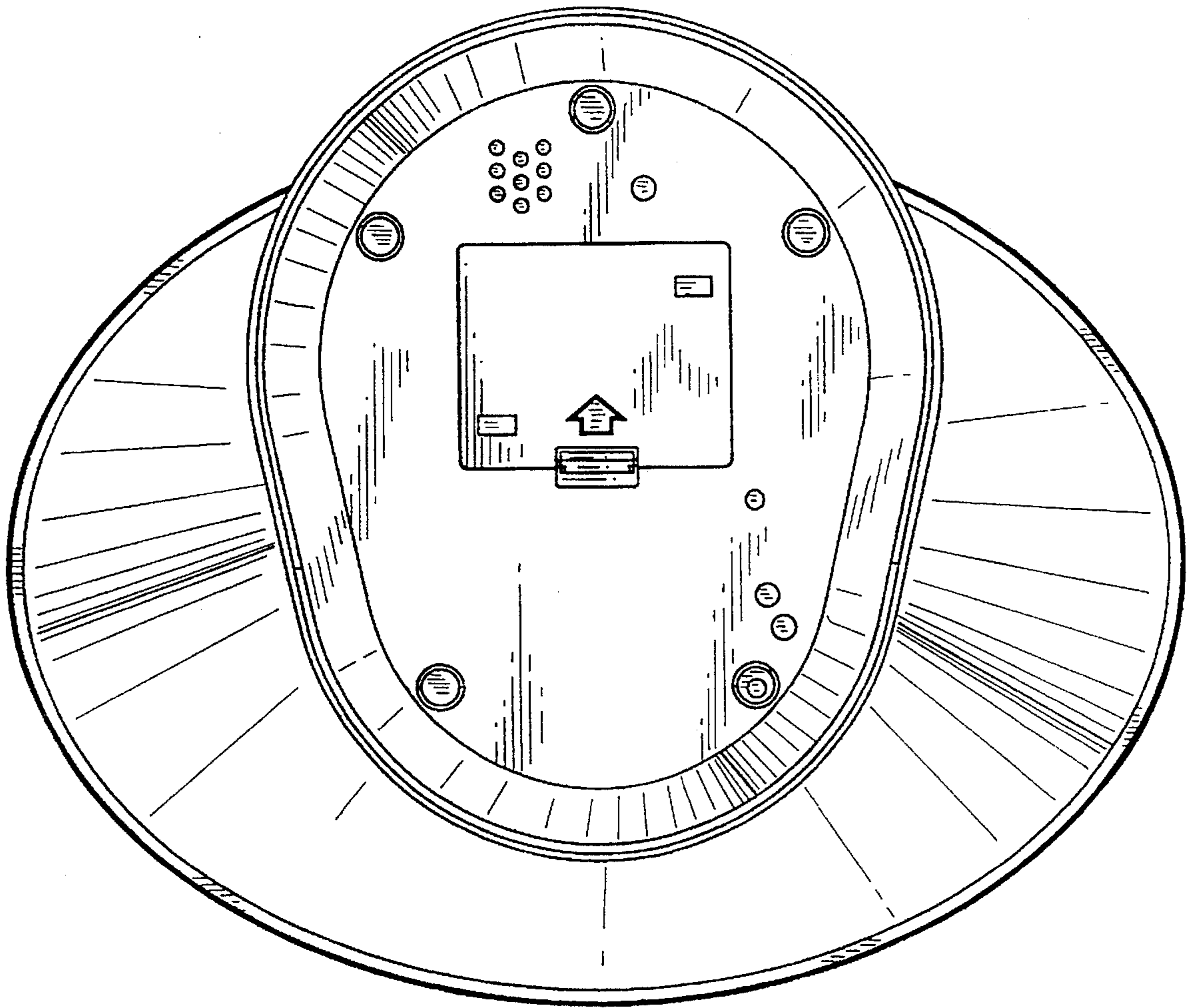


FIG. 6

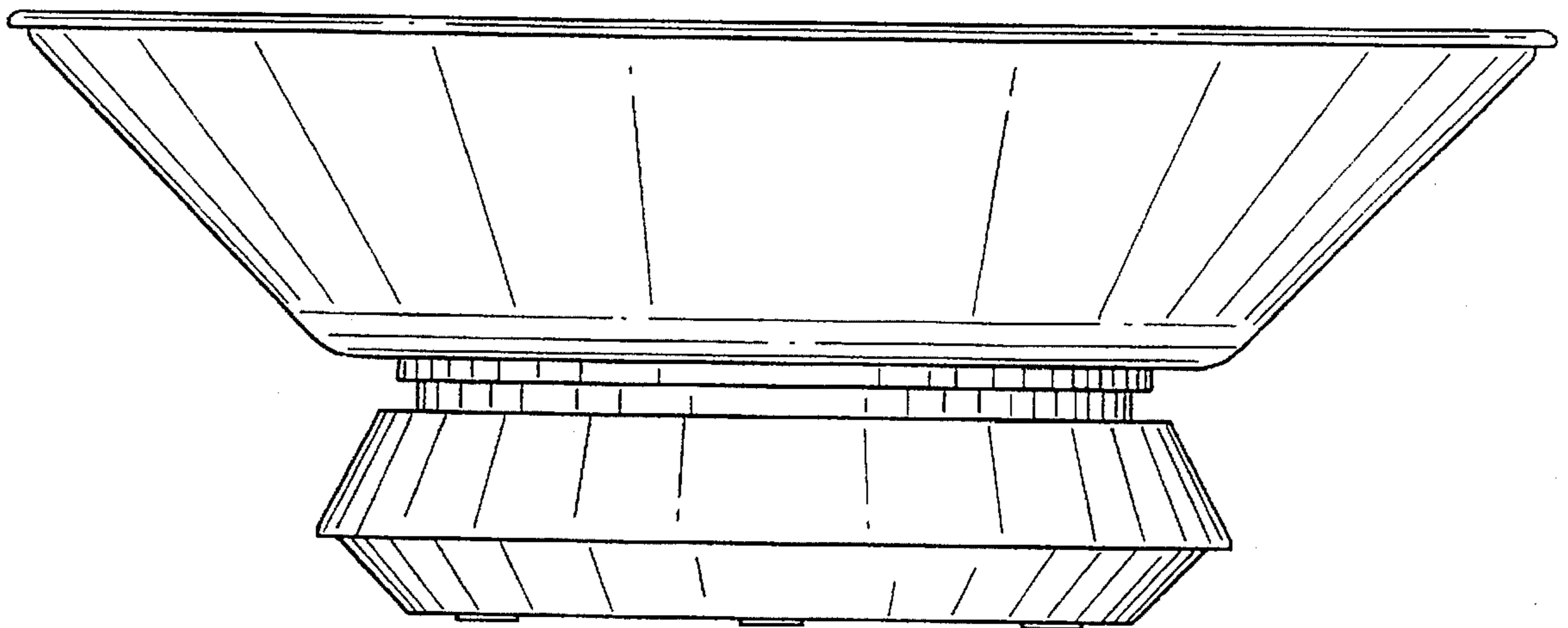


FIG. 7



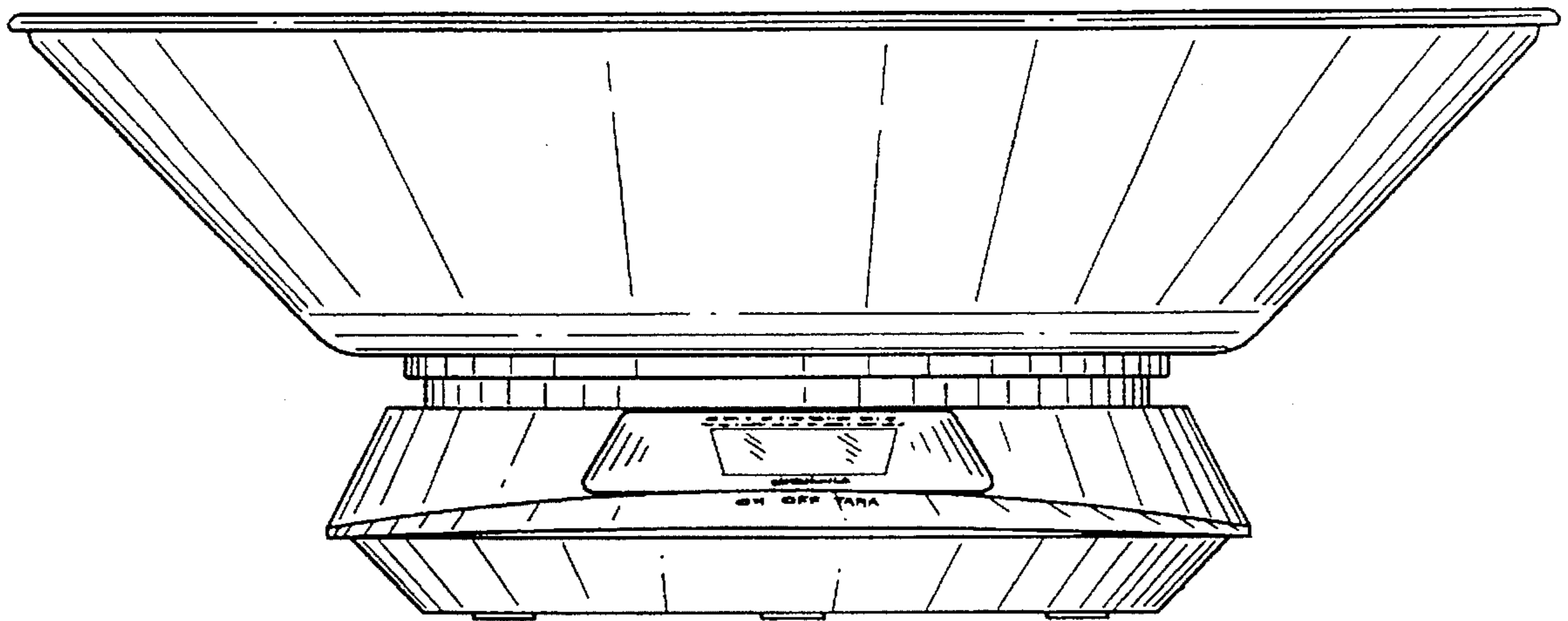


FIG. 8