



US00D379771S

United States Patent [19]
Hsu

[11] **Patent Number: Des. 379,771**

[45] **Date of Patent: **Jun. 10, 1997**

[54] **MEASURE TAPE**

4,007,543 2/1977 McClay, Jr. 33/759
5,531,395 7/1996 Hsu 33/767 X

[76] **Inventor: Cheng-Hui Hsu**, No. 126, Pao Chung Road, Hsin Tien City, Taipei Hsien, Taiwan

Primary Examiner—Antoine Duval Davis
Attorney, Agent, or Firm—Pro-Techtor International

[**] **Term: 14 Years**

[57] **CLAIM**

[21] **Appl. No.: 54,549**

The ornamental design for a measure tape, as shown and described.

[22] **Filed: May 16, 1996**

DESCRIPTION

[51] **LOC (6) Cl. 10-04**

FIG. 1 is a perspective view of a measure tape showing my new design;

[52] **U.S. Cl. D10/72**

FIG. 2 is a front elevational view thereof;

[58] **Field of Search D10/72; 33/756-772;**

FIG. 3 is a rear elevational view thereof;

242/292, 381.4, 381.6

FIG. 4 is a left side elevational view thereof;

FIG. 5 is a right side elevational view thereof;

[56] **References Cited**

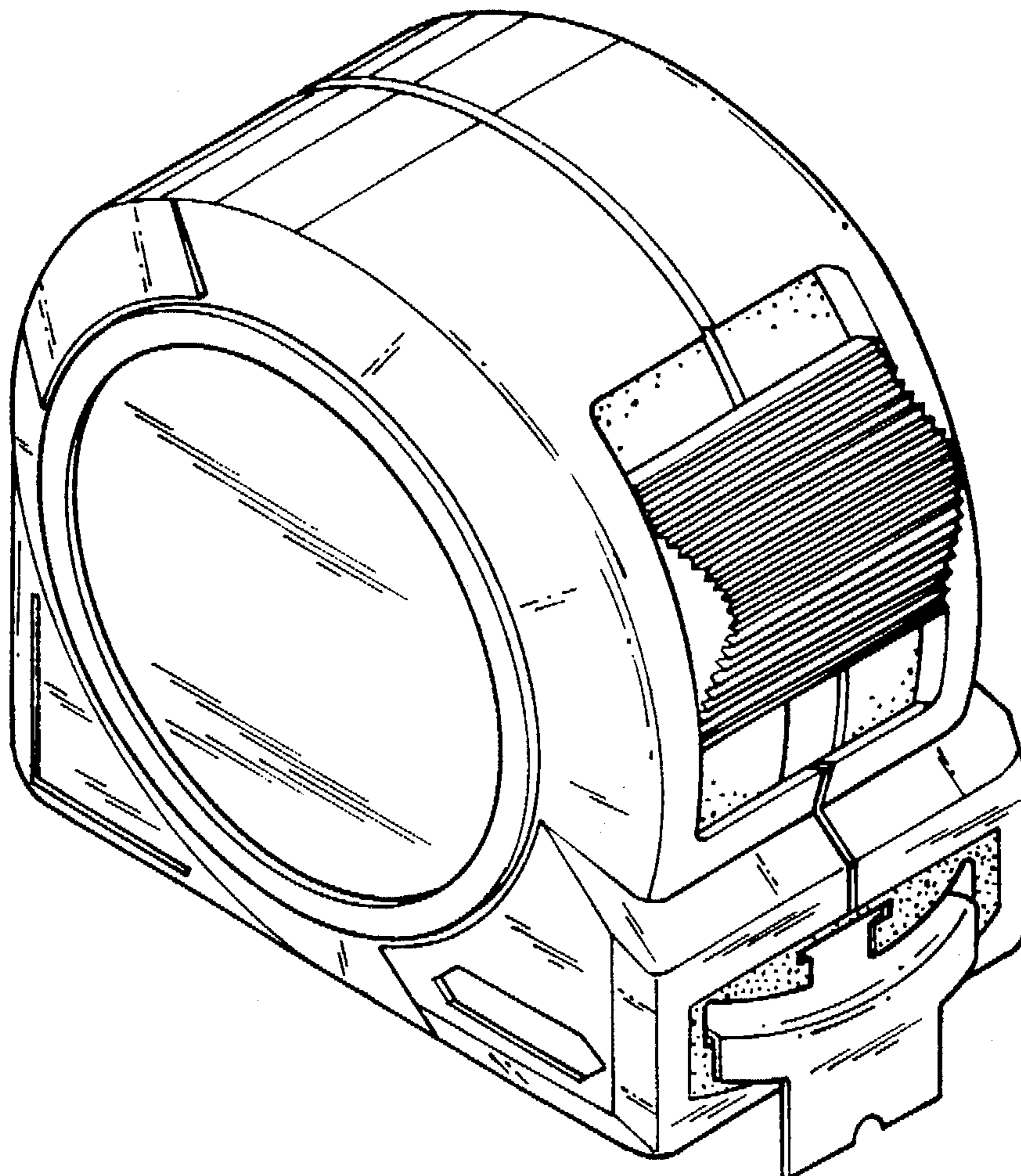
U.S. PATENT DOCUMENTS

D. 341,545 11/1993 Killian D10/72
2,804,538 8/1957 Leone 33/760
3,324,560 6/1967 Snyder 33/768

FIG. 6 is a top plan view thereof; and,

FIG. 7 is a bottom plan view thereof.

1 Claim, 4 Drawing Sheets



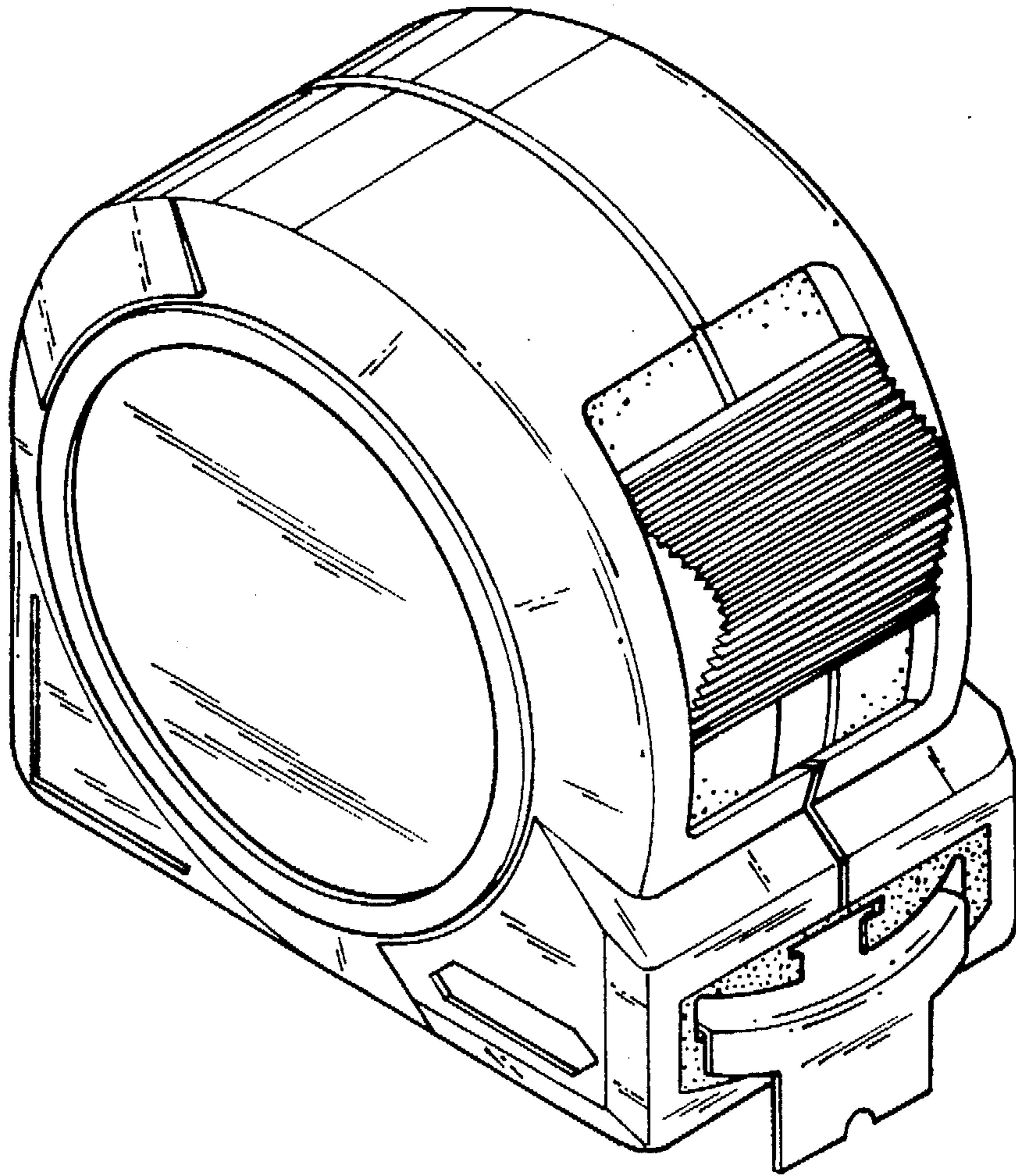


FIG. 1

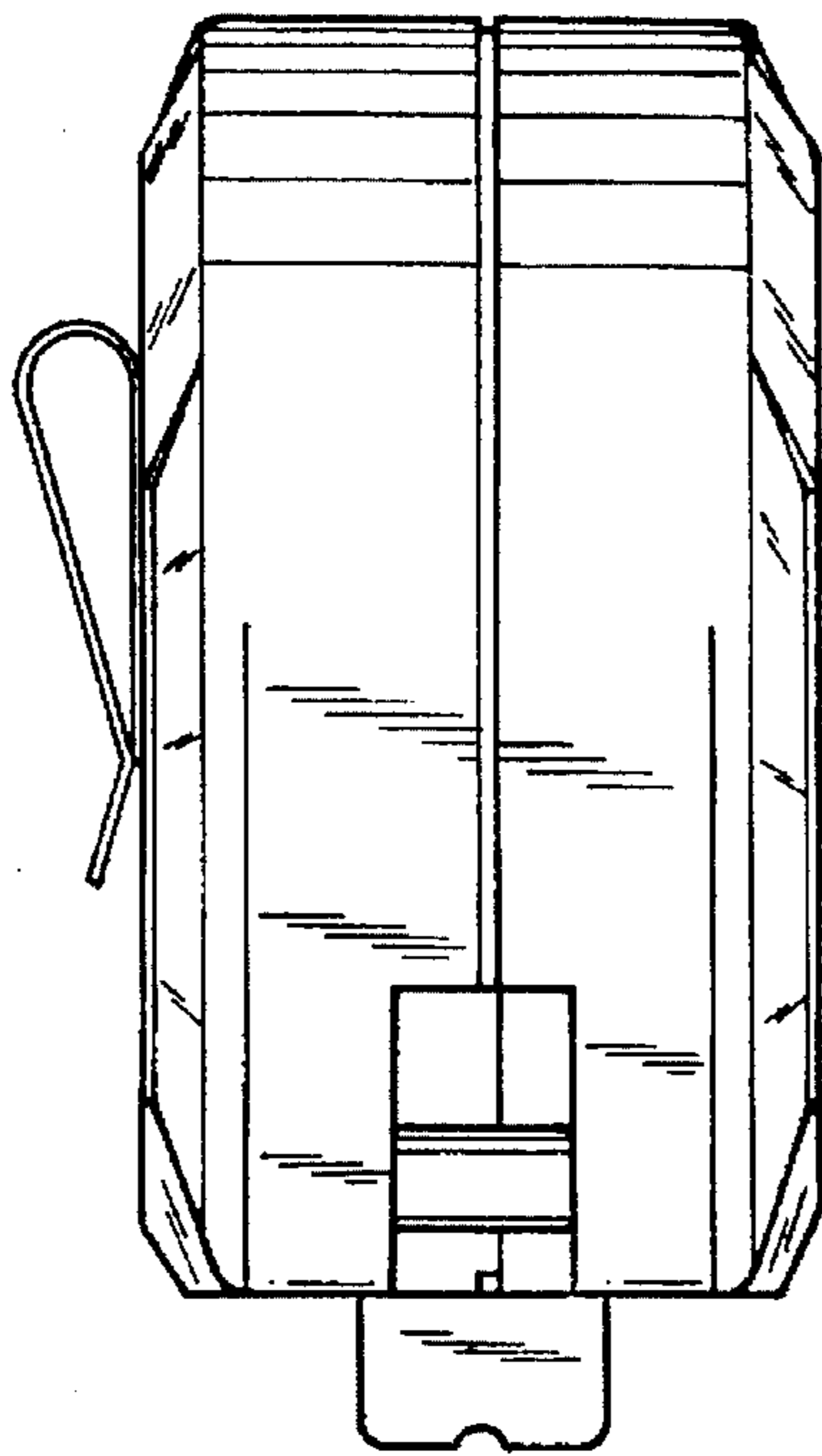


FIG. 3

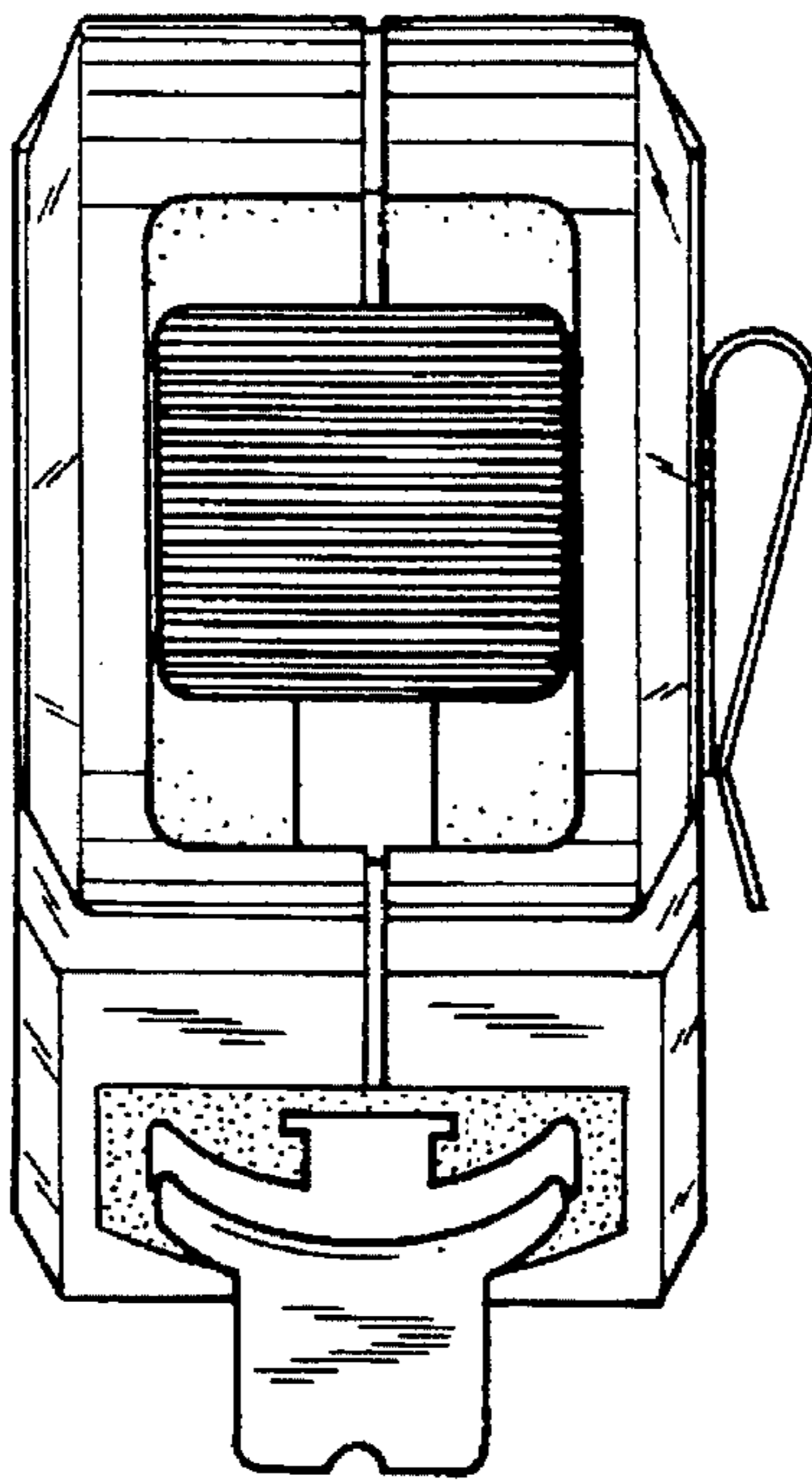


FIG. 2

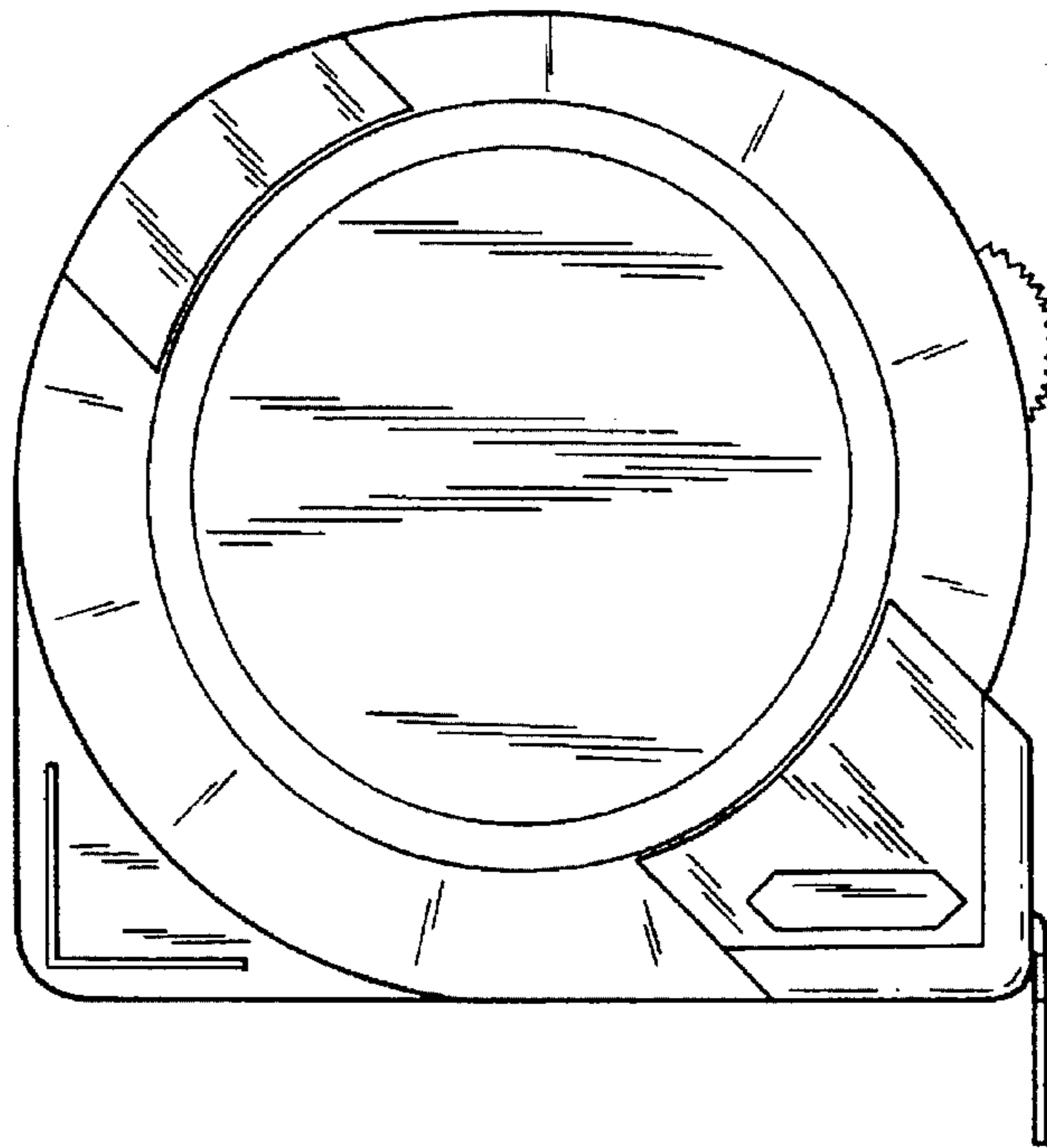


FIG. 4

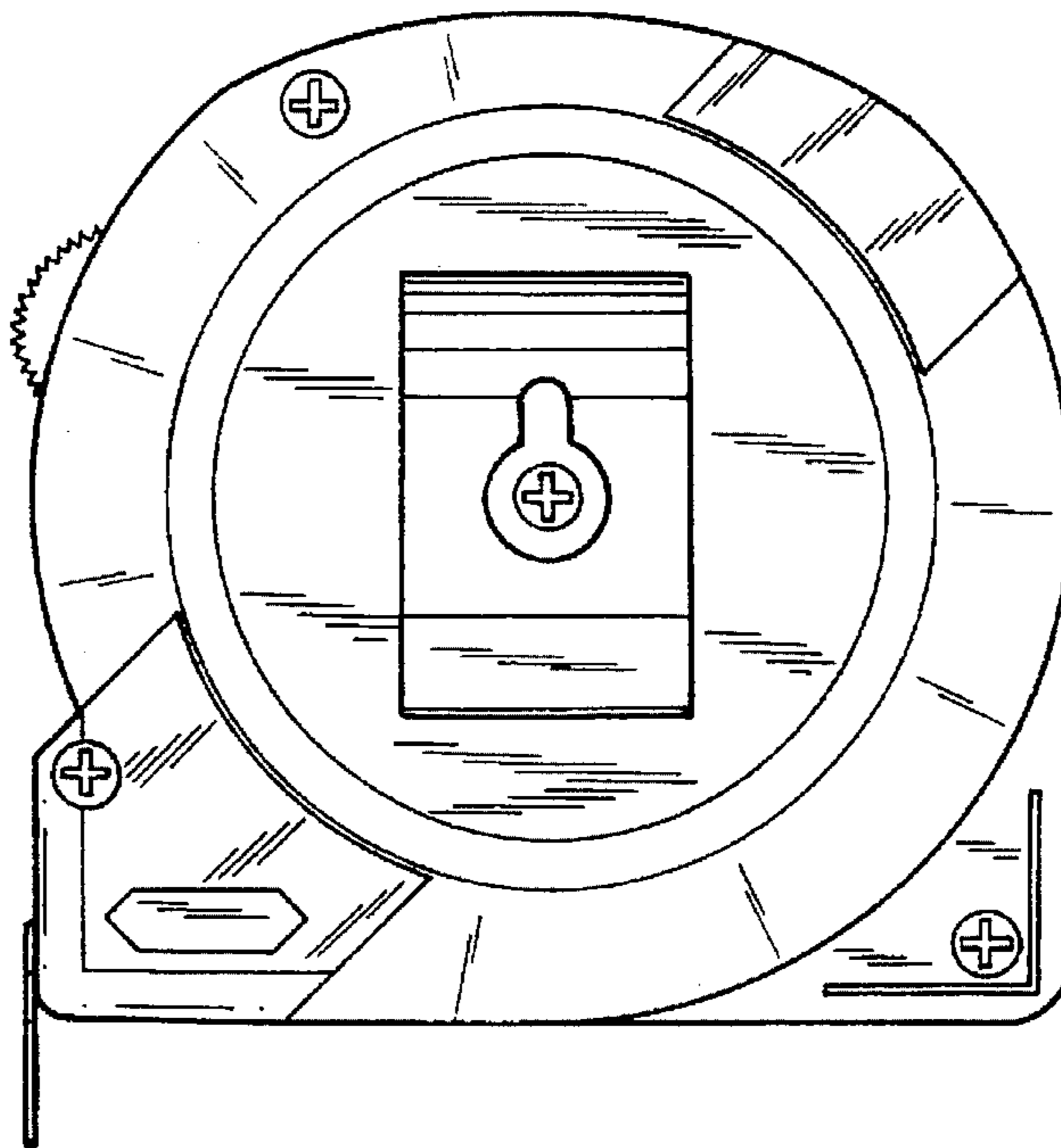


FIG. 5

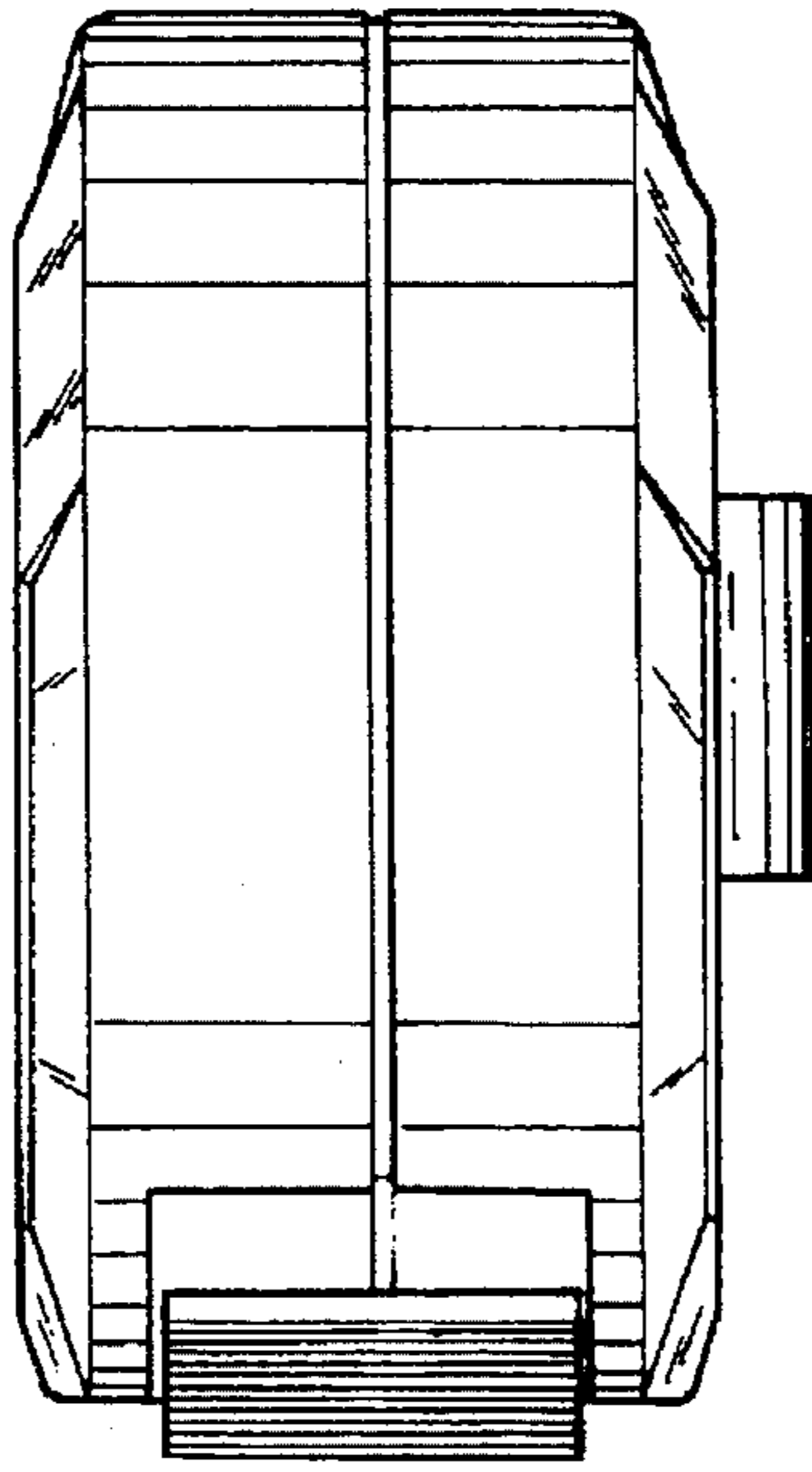


FIG. 6

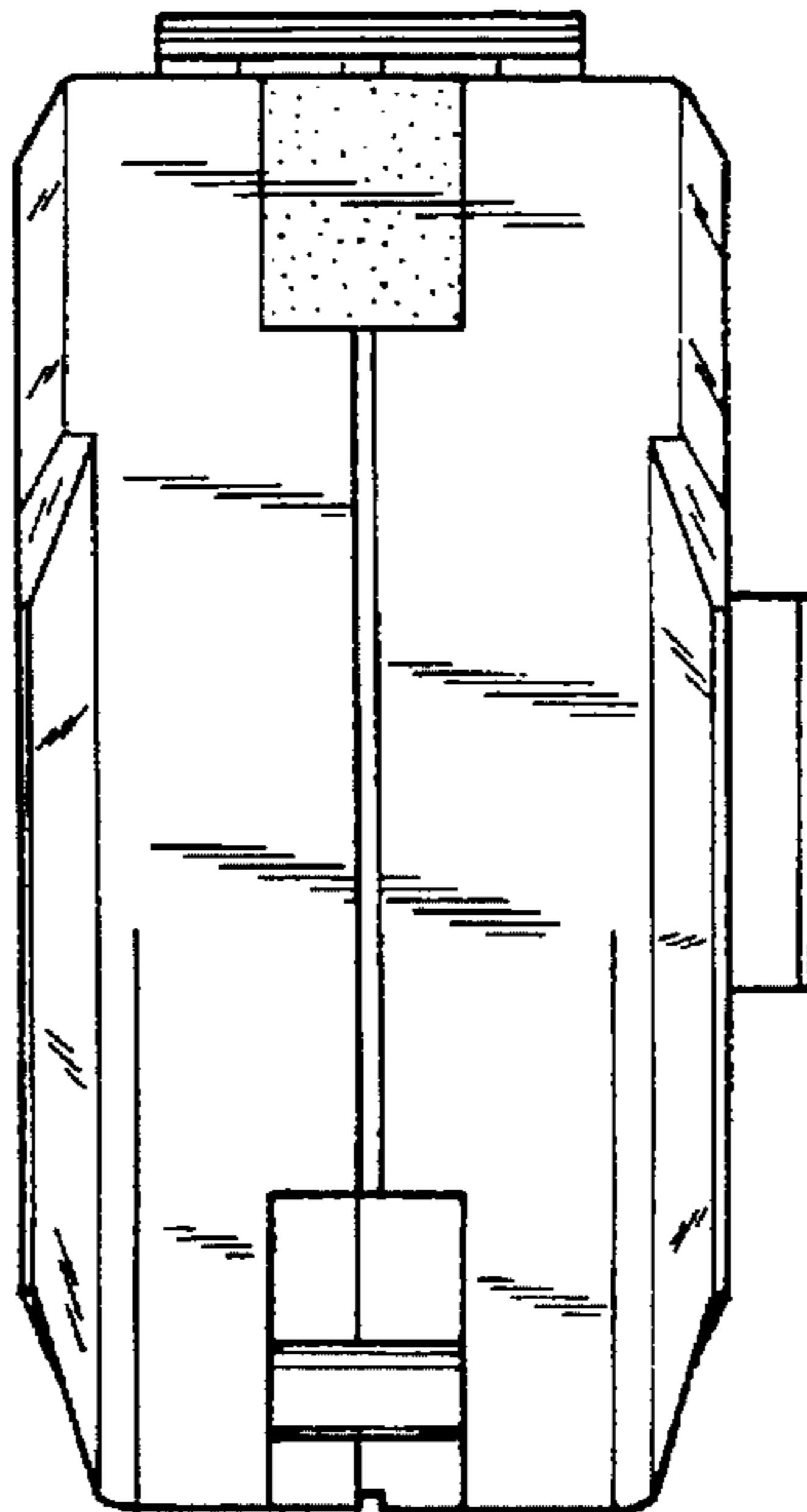


FIG. 7