



US00D379767S

United States Patent [19]
Rowley

[11] **Patent Number: Des. 379,767**

[45] **Date of Patent: **Jun. 10, 1997**

[54] **COMBINED DIGITAL CLOCK AND CONTAINER**

[76] **Inventor: Kevin J. Rowley, 1000 Old Sixty Nine, P.O. Box 183, Dewey, Ariz. 86327**

[**] **Term: 14 Years**

[21] **Appl. No.: 40,742**

[22] **Filed: Jun. 26, 1995**

[51] **LOC (6) Cl. 10-01**

[52] **U.S. Cl. D10/2; D10/15**

[58] **Field of Search D10/1-40, 122-132; D9/337; 368/223, 228-229, 232, 276-277, 280-282, 285, 28-30, 41-44, 239-242, 10**

[56] **References Cited**

U.S. PATENT DOCUMENTS

D. 140,105 1/1945 Benjamin D9/337
D. 262,608 1/1982 Drubshoff D10/15

D. 271,182 11/1983 Iorio D10/2 X
D. 303,767 10/1989 Baird D10/30
D. 347,999 6/1994 Pritchard D9/337
D. 351,797 10/1994 White D10/15

Primary Examiner—Nelson C. Holtje
Attorney, Agent, or Firm—Harry M. Weiss; Jeffrey D. Moy; Harry M. Weiss & Associates, P.C.

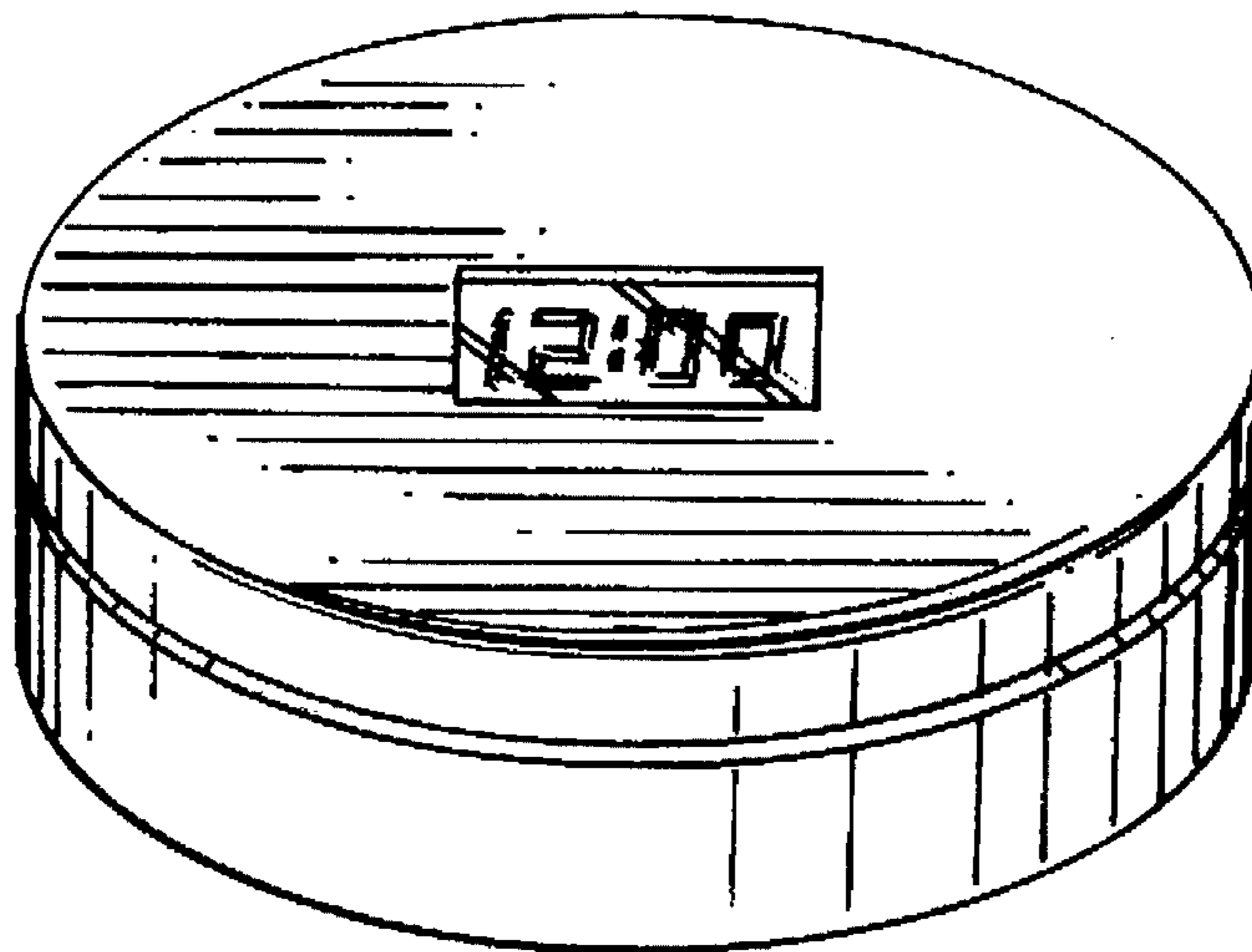
[57] **CLAIM**

The ornamental design for a combined digital clock and container, as shown.

DESCRIPTION

FIG. 1 is a perspective view top side up of the combined digital clock and container showing my new design;
FIG. 2 is a top view thereof;
FIG. 3 is a side elevational view thereof, the other side is a mirror image of that shown; and,
FIG. 4 is a bottom plan view thereof.

1 Claim, 1 Drawing Sheet



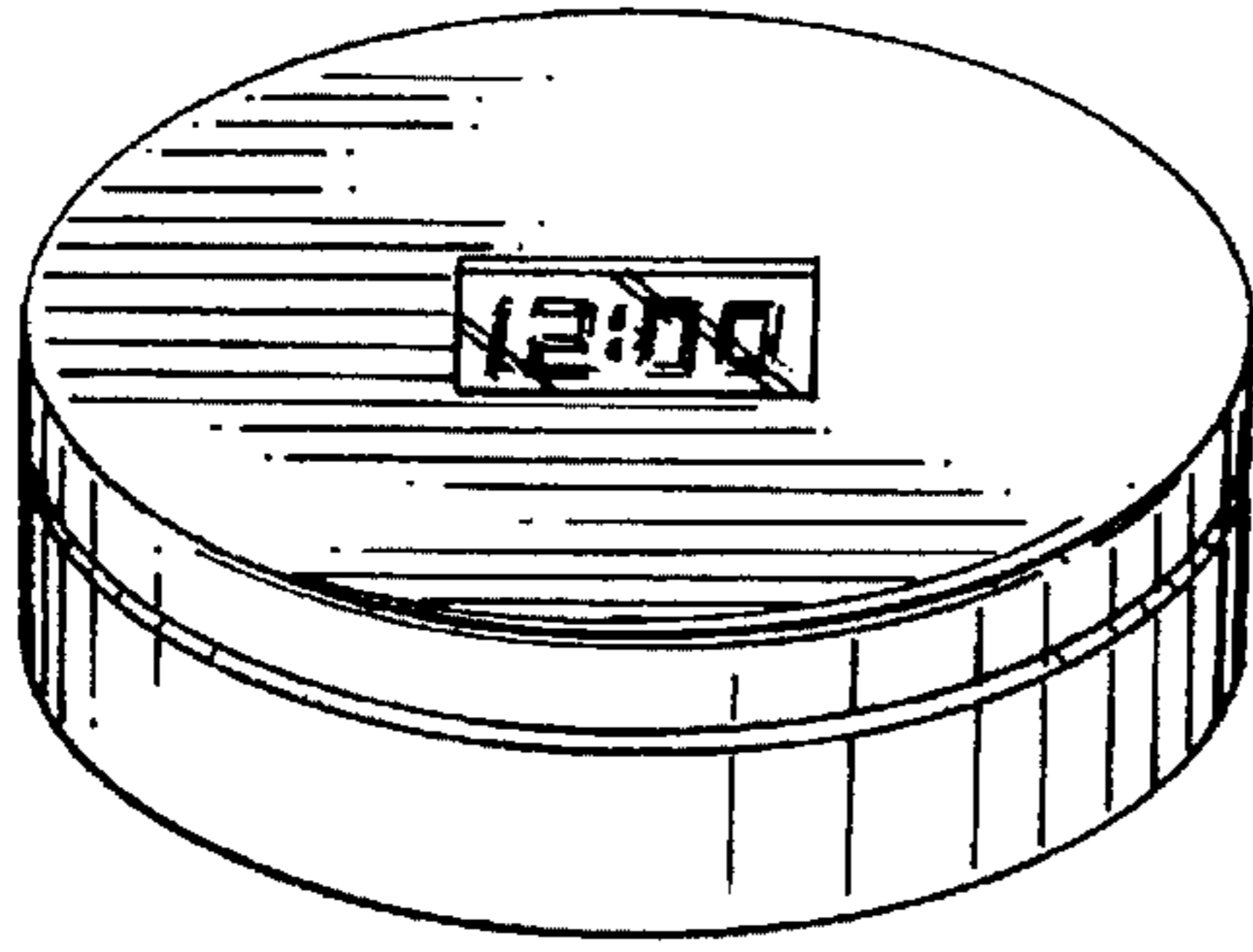


FIG. 1

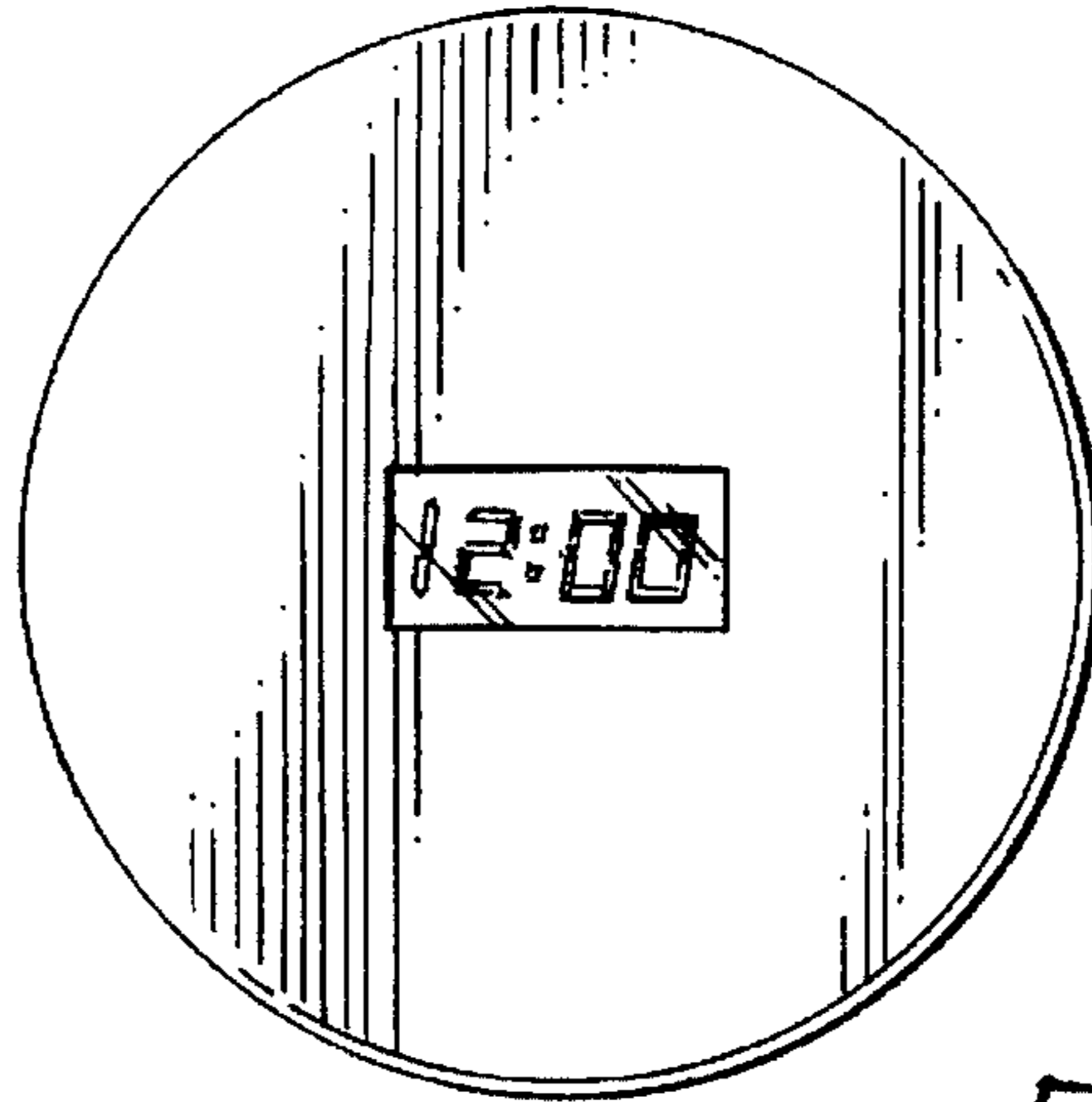


FIG. 2

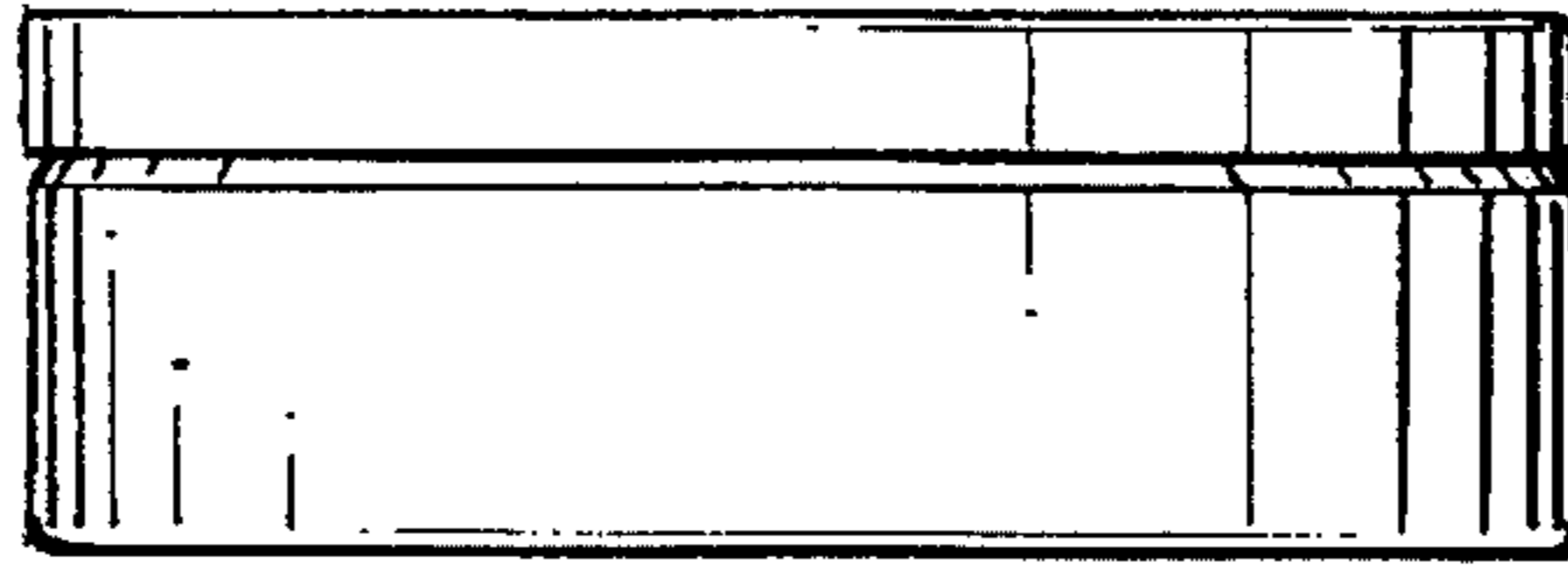


FIG. 3

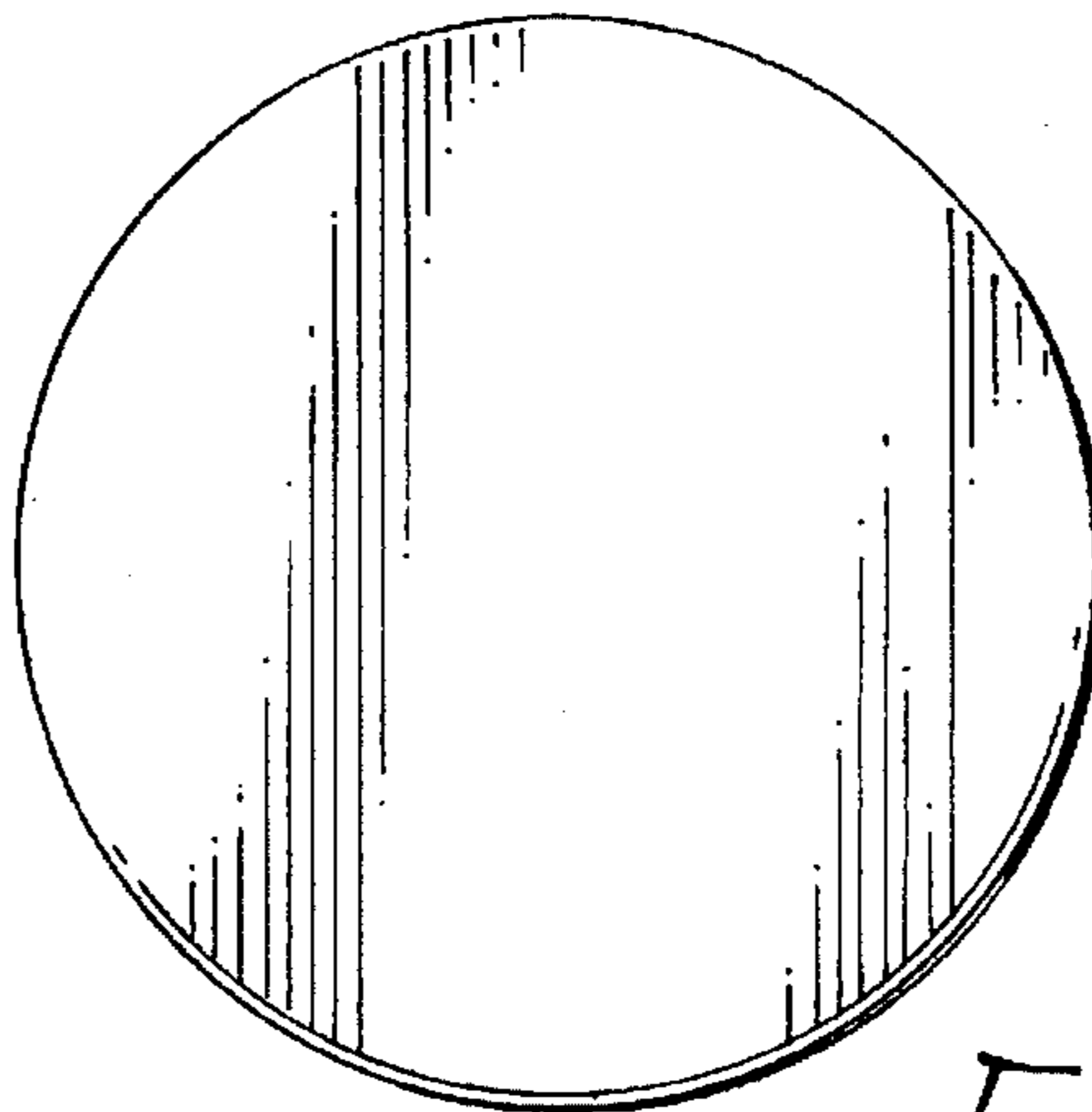


FIG. 4