



US00D379766S

United States Patent [19]

Schneider et al.

[11] Patent Number: Des. 379,766

[45] Date of Patent: **Jun. 10, 1997

[54] COMBINED PERFUME BOTTLE AND CAP

[75] Inventors: Peter Schneider, Konigsein; Cornelia Seifert, Bad Soden, both of Germany

[73] Assignee: The Gillette Company, Boston, Mass.

[**] Term: 14 Years

[21] Appl. No.: 50,058

[22] Filed: Feb. 6, 1996

[30] Foreign Application Priority Data

Aug. 18, 1995 [XH] Hague Agreement DM/033858

[51] LOC (6) Cl. 09-01

[52] U.S. Cl. D9/542; D9/300; D9/573

[58] Field of Search D9/544, 542, 543, D9/300, 572, 573, 574, 575; D28/91.1; 215/382, 383, 384, 400; 222/321.1, 321.9

[56] References Cited

U.S. PATENT DOCUMENTS

- D. 108,272 3/1938 Dunnock D9/542
- D. 149,507 5/1948 McIntosh D9/542
- D. 260,610 9/1981 Grip D9/573 X
- D. 299,429 1/1989 Dinand D9/544 X
- D. 309,423 7/1990 Alizard D9/574 X
- D. 357,856 5/1995 Kudo et al. D9/300
- D. 361,270 8/1995 Schneider et al. D9/573 X

OTHER PUBLICATIONS

Beauty Fashion, Apr. 1976, p. 72, "Bené" cologne bottle.
Beauty Fashion, Jun. 1976, p. 13, "Blazer" fragrance bottle.

Primary Examiner—Lucy Lieberman
Attorney, Agent, or Firm—Stephan P. Williams

[57] CLAIM

The ornamental design for a combined perfume bottle and cap, as shown and described.

DESCRIPTION

FIG. 1 is a perspective view as seen from the top, front and right side of a combined perfume bottle and cap showing my new design;

FIG. 2 is a front elevational view thereof;

FIG. 3 is a right side elevational view thereof;

FIG. 4 is a left side elevational view thereof;

FIG. 5 is a rear elevational view thereof;

FIG. 6 is a top plan view thereof;

FIG. 7 is a bottom plan view thereof; and,

FIG. 8 is a top, front and right side perspective view of a second embodiment of the combined perfume bottle and cap, the top, rear and left side perspective view is a mirror image thereto.

The bottom of the second embodiment, that is not shown in the drawings, does not form part of the claimed design.

1 Claim, 4 Drawing Sheets

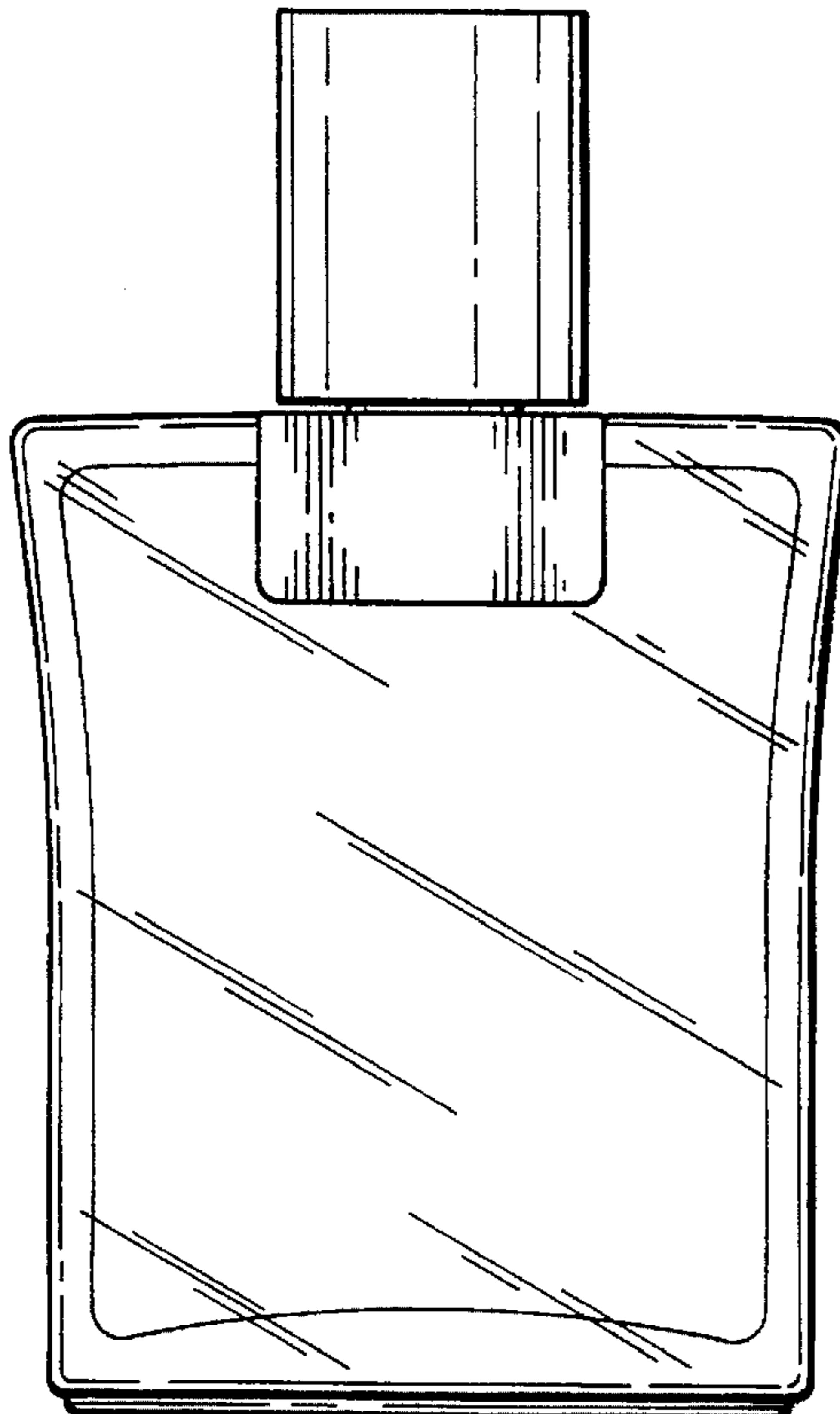
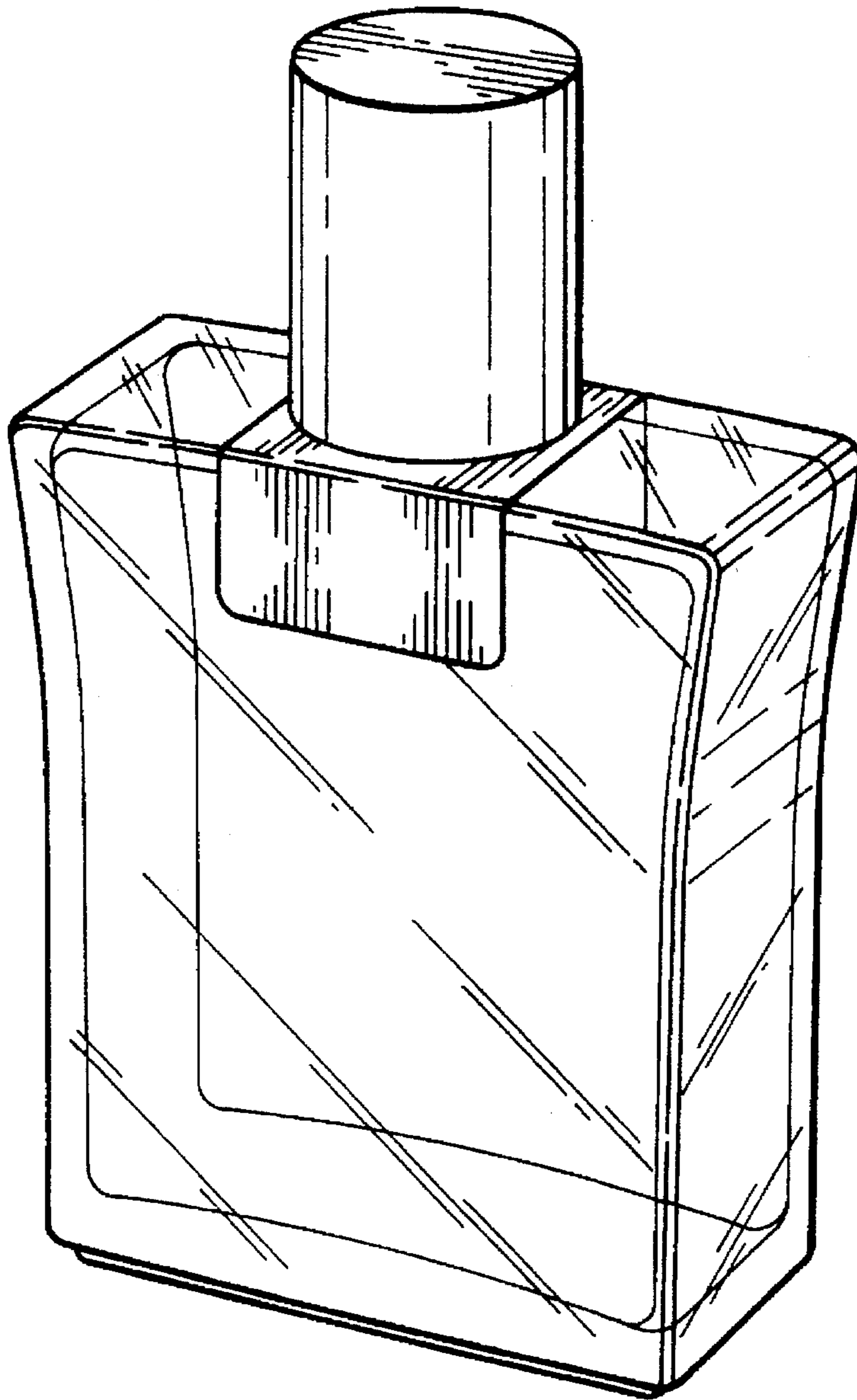


Fig. 1



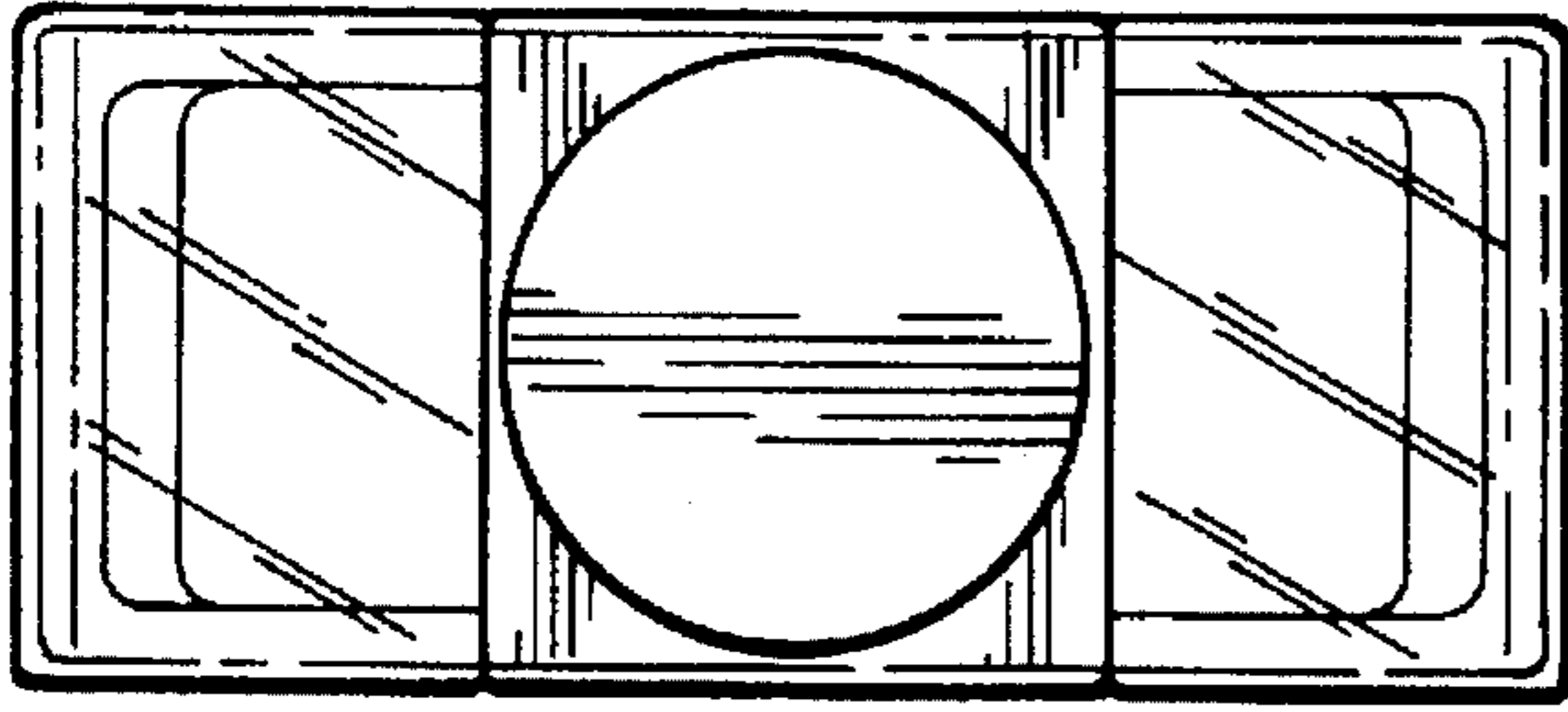


Fig. 6

Fig. 2

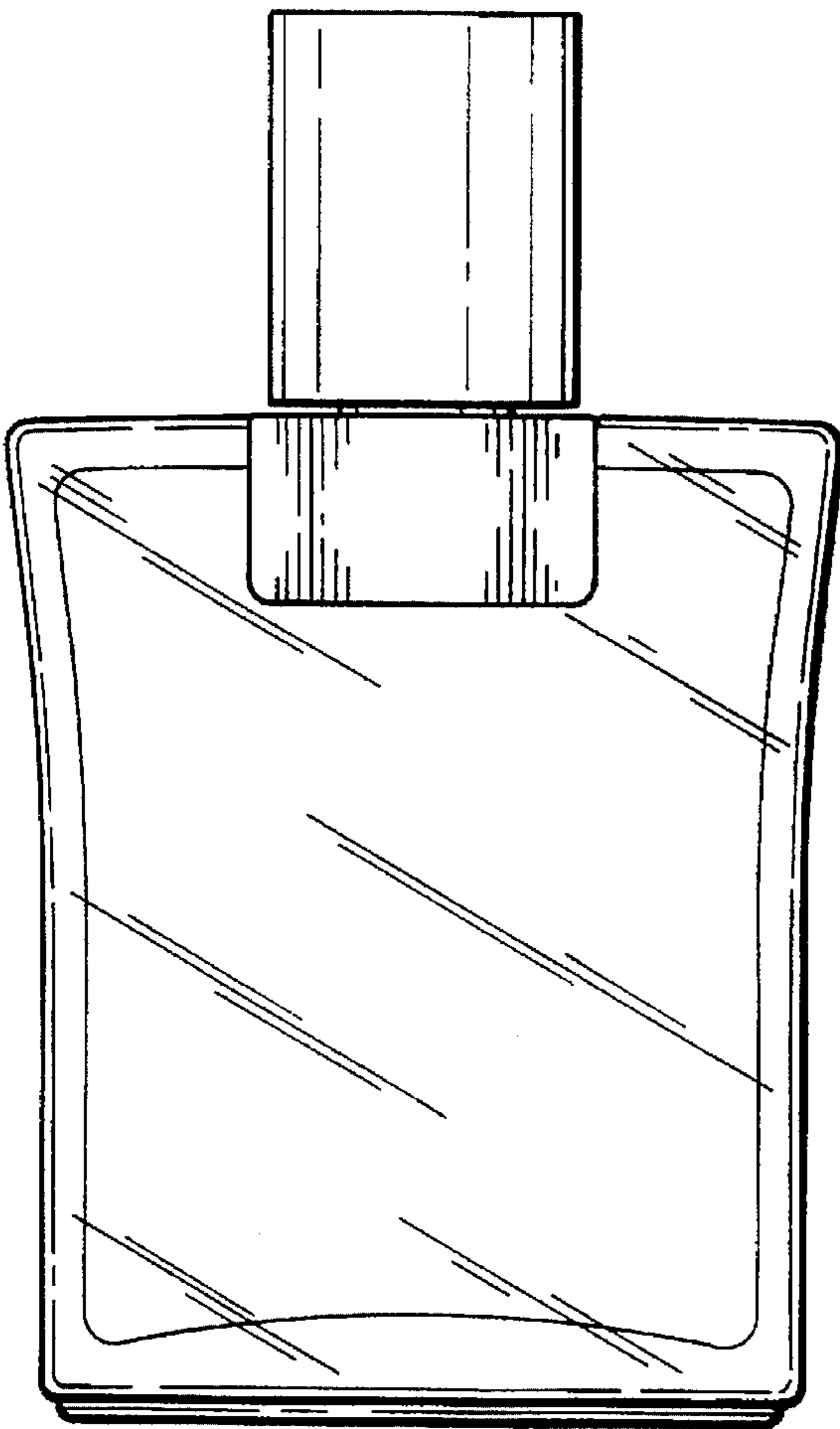
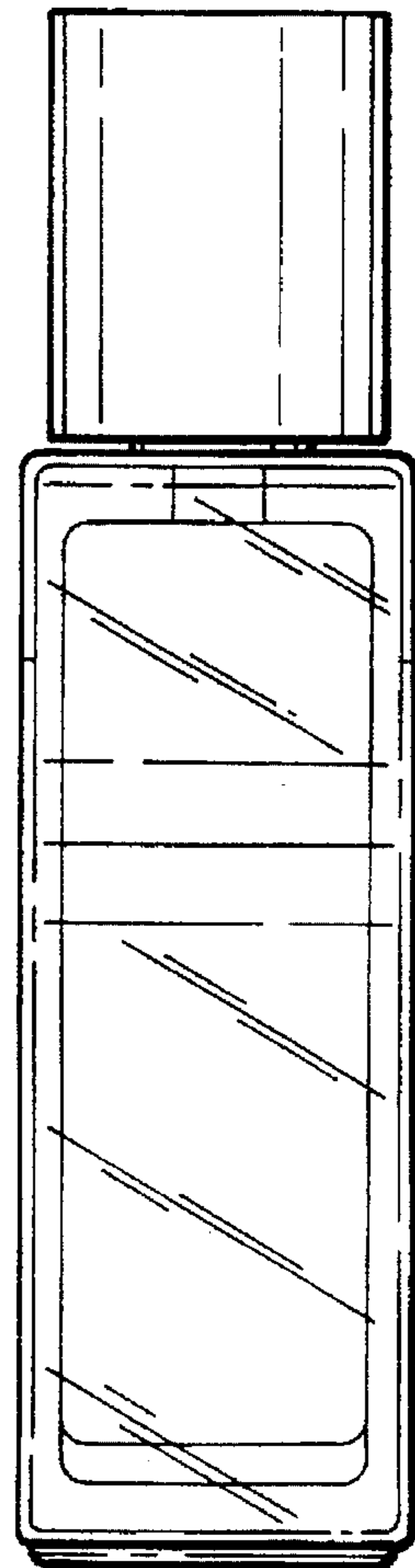


Fig. 3



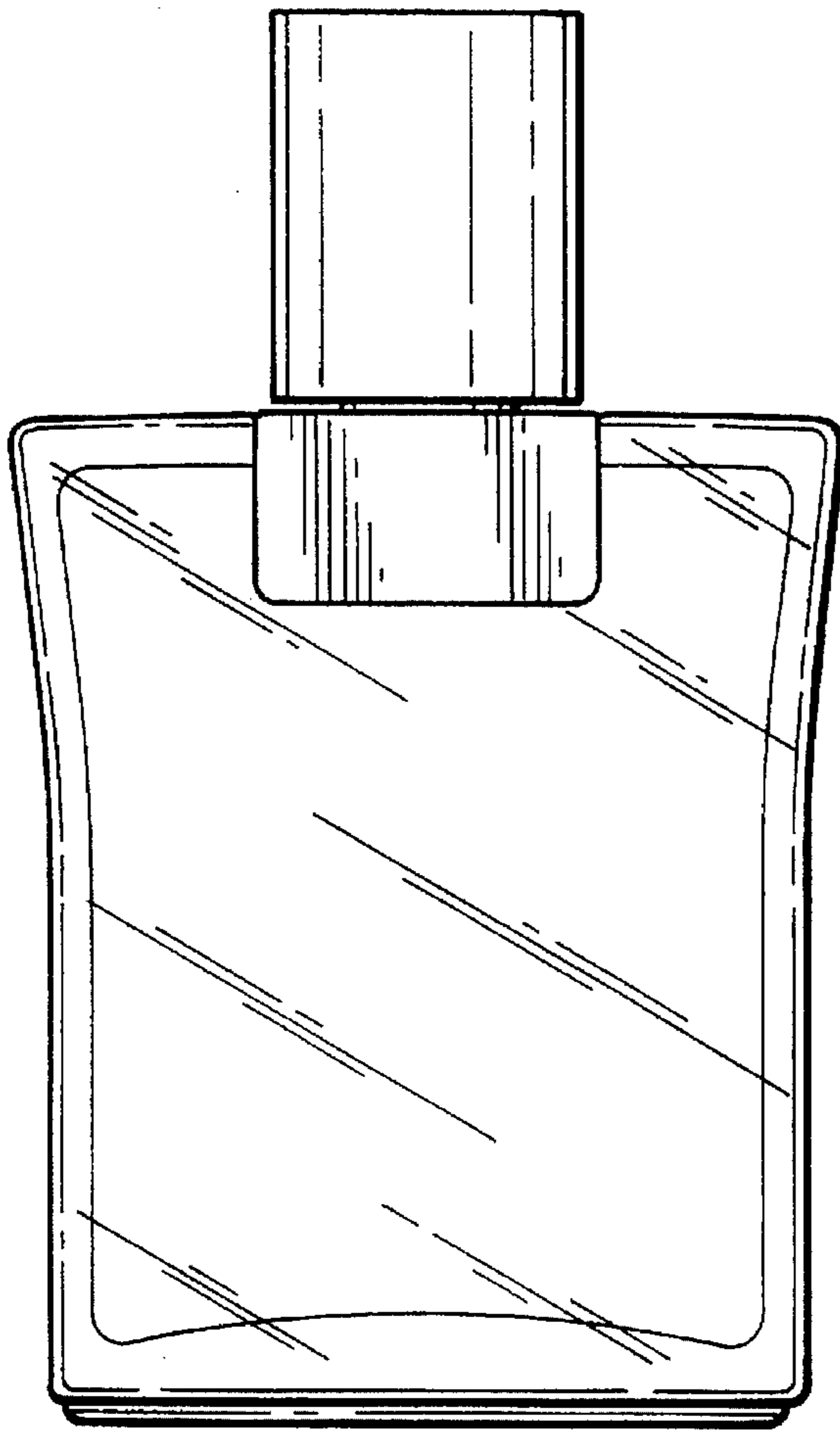


Fig. 5

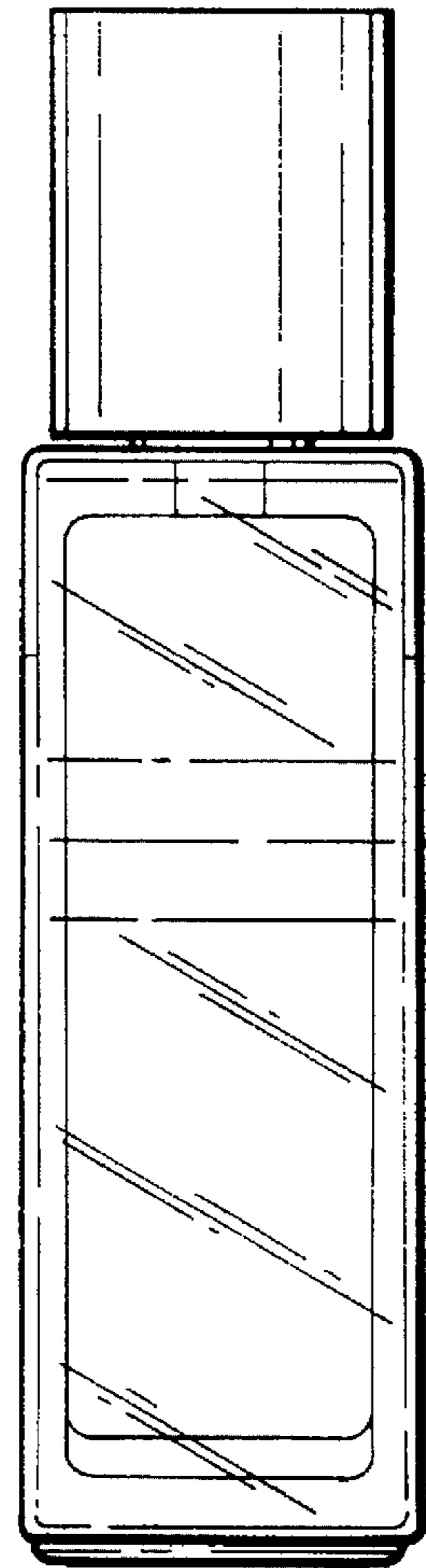


Fig. 4

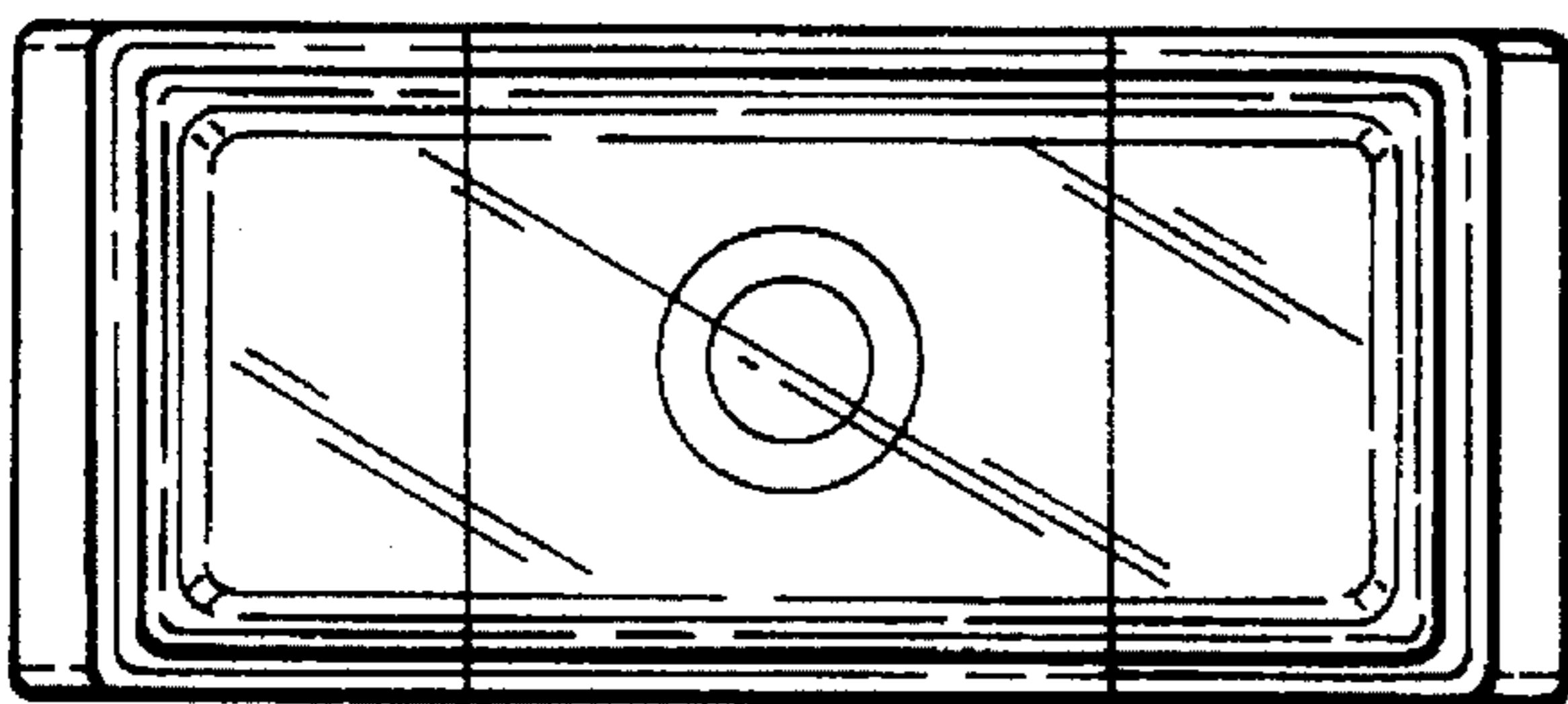


Fig. 7

Fig. 8

