



US00D379763S

**United States Patent** [19]  
**Ewing, Jr.**

[11] **Patent Number: Des. 379,763**

[45] **Date of Patent: \*\*Jun. 10, 1997**

[54] **BOTTLE HAVING A NECK GRIP AND BODY GRIP**

[75] **Inventor: Paul E. Ewing, Jr., Monroe, Conn.**

[73] **Assignee: Motts, Inc., Stamford, Conn.**

[\*\*] **Term: 14 Years**

[21] **Appl. No.: 43,191**

[22] **Filed: Aug. 28, 1995**

[51] **LOC (6) Cl. .... 09-01**

[52] **U.S. Cl. .... D9/520; D9/543; D9/567; D9/570**

[58] **Field of Search .... D9/537-543, 554, D9/567, 556, 557, 569, 570, 520, 551, 564, 500, 502, 503; 215/382, 383, 384, 400**

[56] **References Cited**

**U.S. PATENT DOCUMENTS**

D. 269,500 6/1983 Bit ..... D9/502

D. 279,167	6/1985	Haney et al. ....	D9/540
D. 282,349	1/1986	Larson et al. ....	D9/540
D. 293,888	1/1988	Rogler .....	D9/500
D. 354,685	1/1995	Krishnakumar et al. ....	D9/543
5,141,121	8/1992	Brown et al. ....	215/384 X
5,341,946	8/1994	Vaillencourt et al. ....	215/383 X
5,392,937	2/1995	Prevot et al. ....	215/400

*Primary Examiner*—Lucy Lieberman  
*Attorney, Agent, or Firm*—Pennie & Edmonds

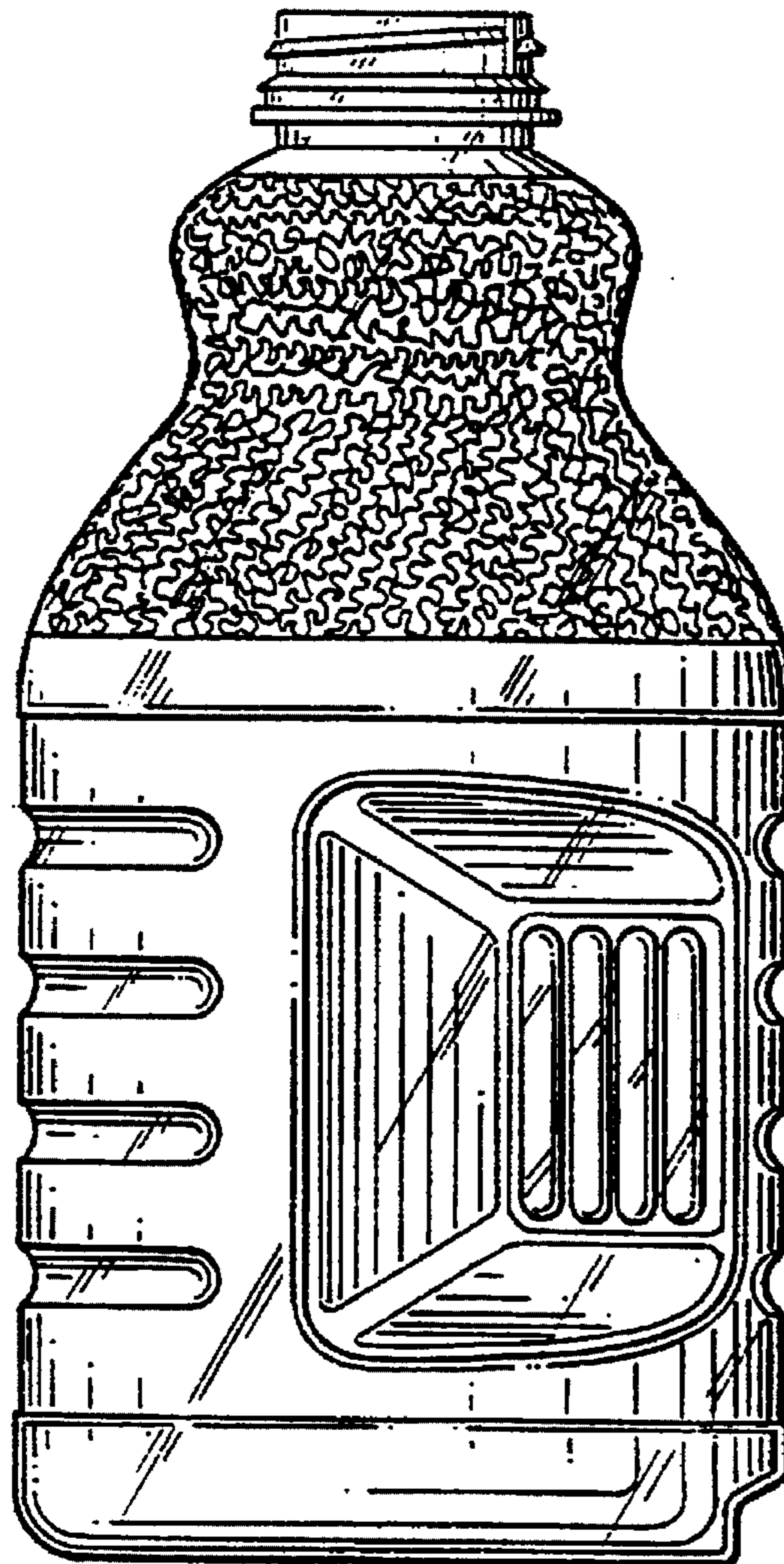
[57] **CLAIM**

The ornamental design for a bottle having a neck grip and body grip, as shown and described.

**DESCRIPTION**

FIG. 1 is a front elevational view of a bottle having a neck grip and body grip showing my new design;  
FIG. 2 is a rear elevational view thereof;  
FIG. 3 is a right side elevational view thereof, the left side elevational view is a mirror image thereto;  
FIG. 4 is a top plan view thereof;  
FIG. 5 is a bottom plan view thereof; and,  
FIG. 6 is a sectional view taken along line 6—6 in FIG. 2.

**1 Claim, 3 Drawing Sheets**



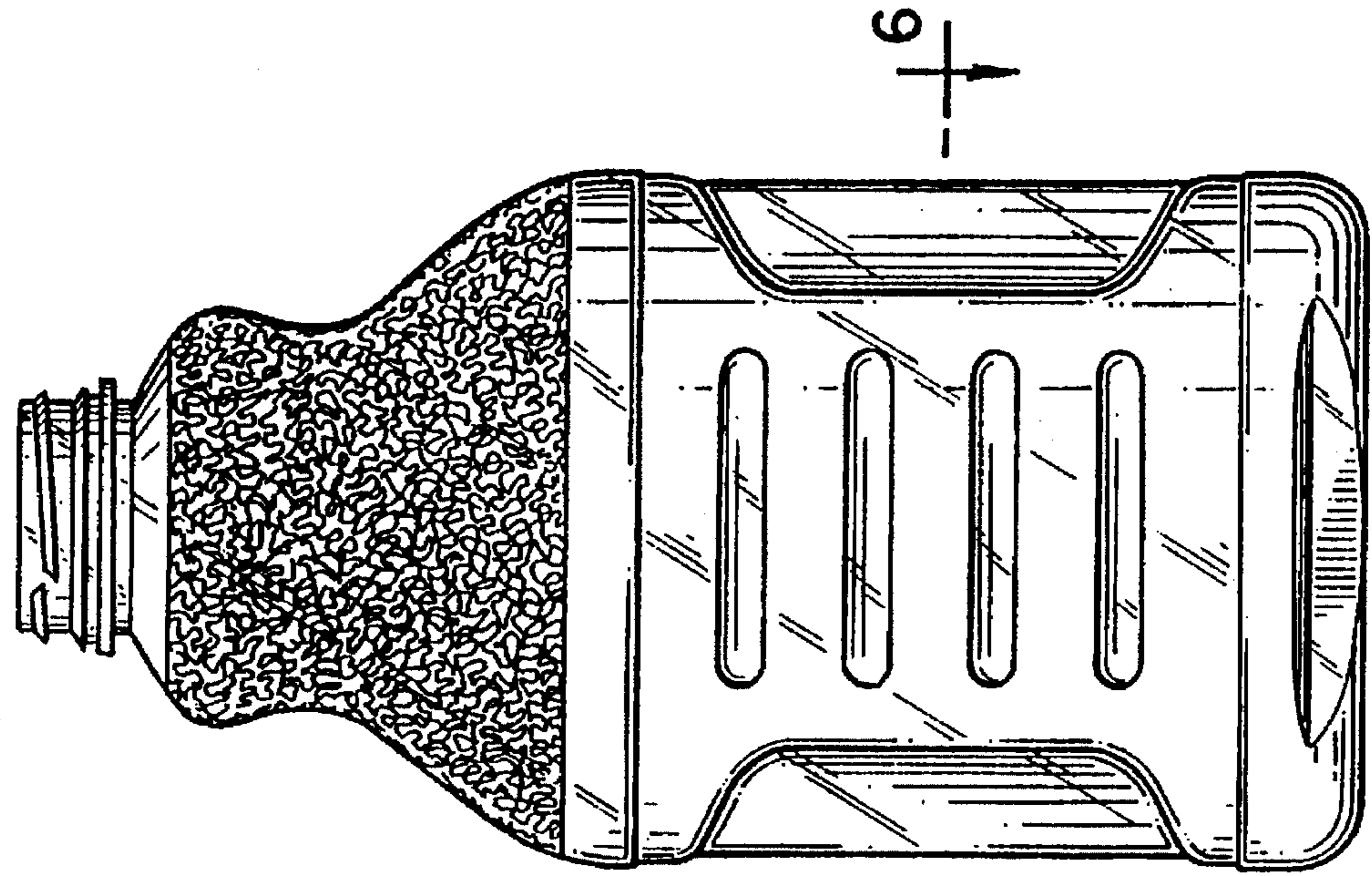


FIG. 1

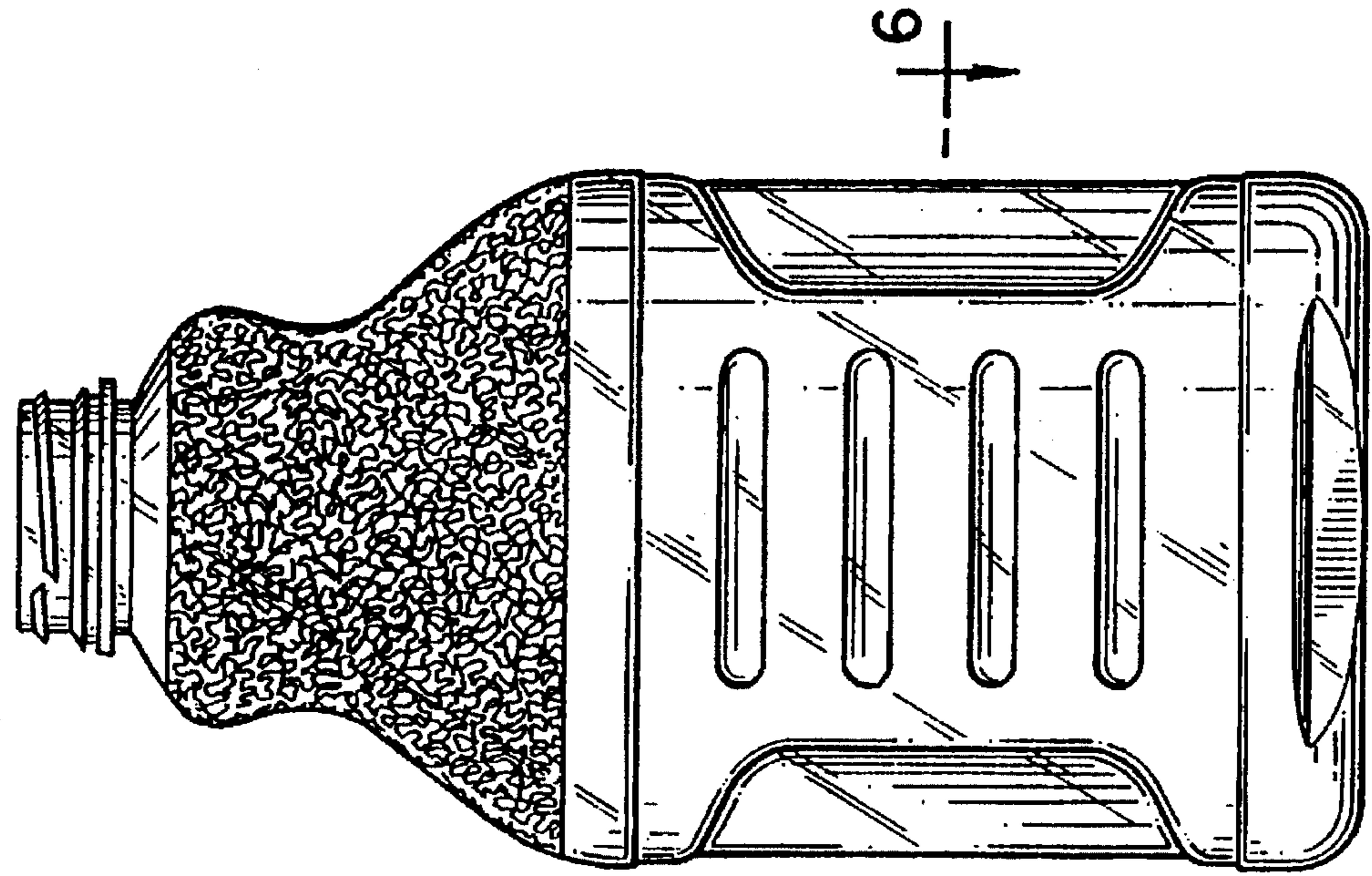


FIG. 2

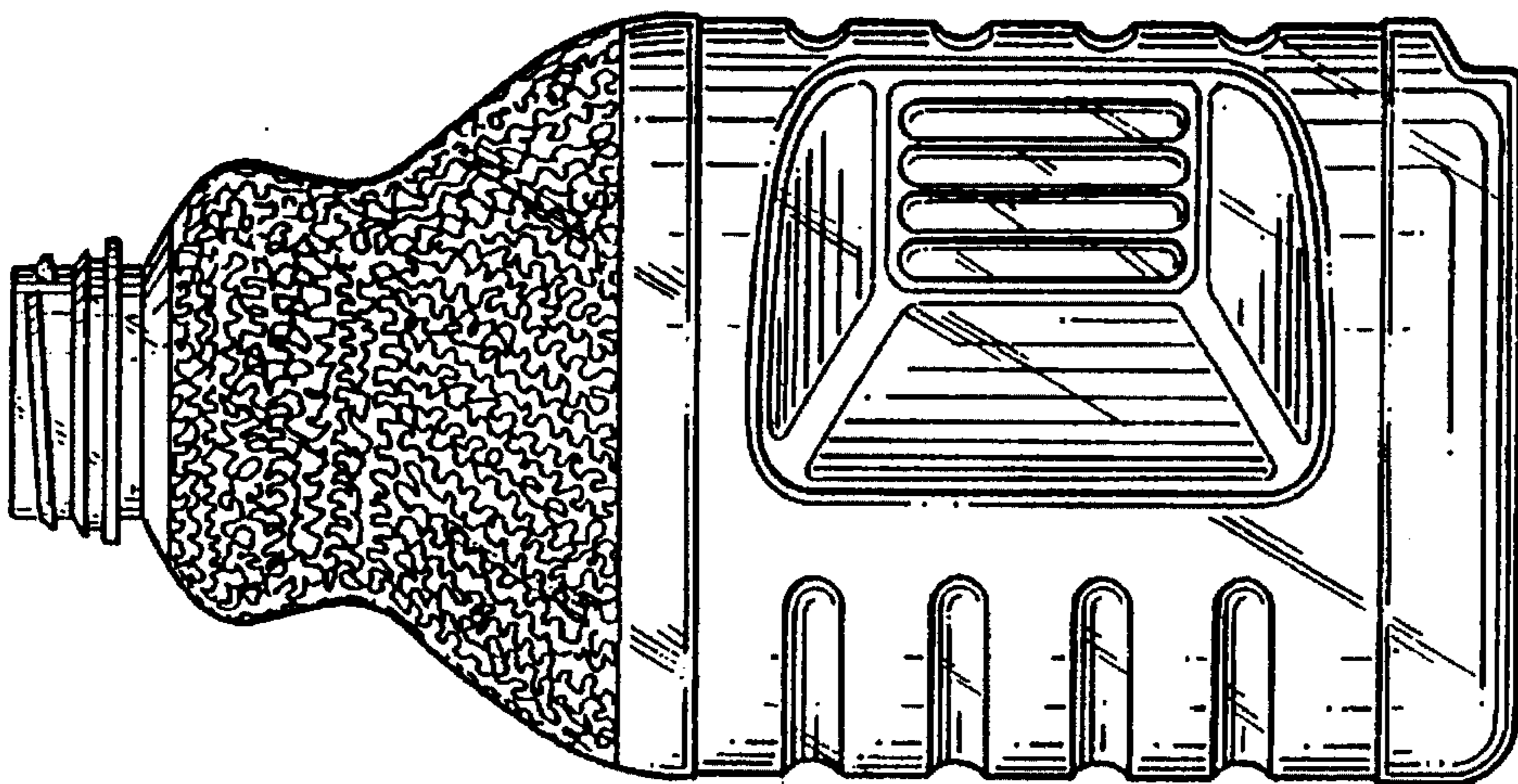


FIG. 3

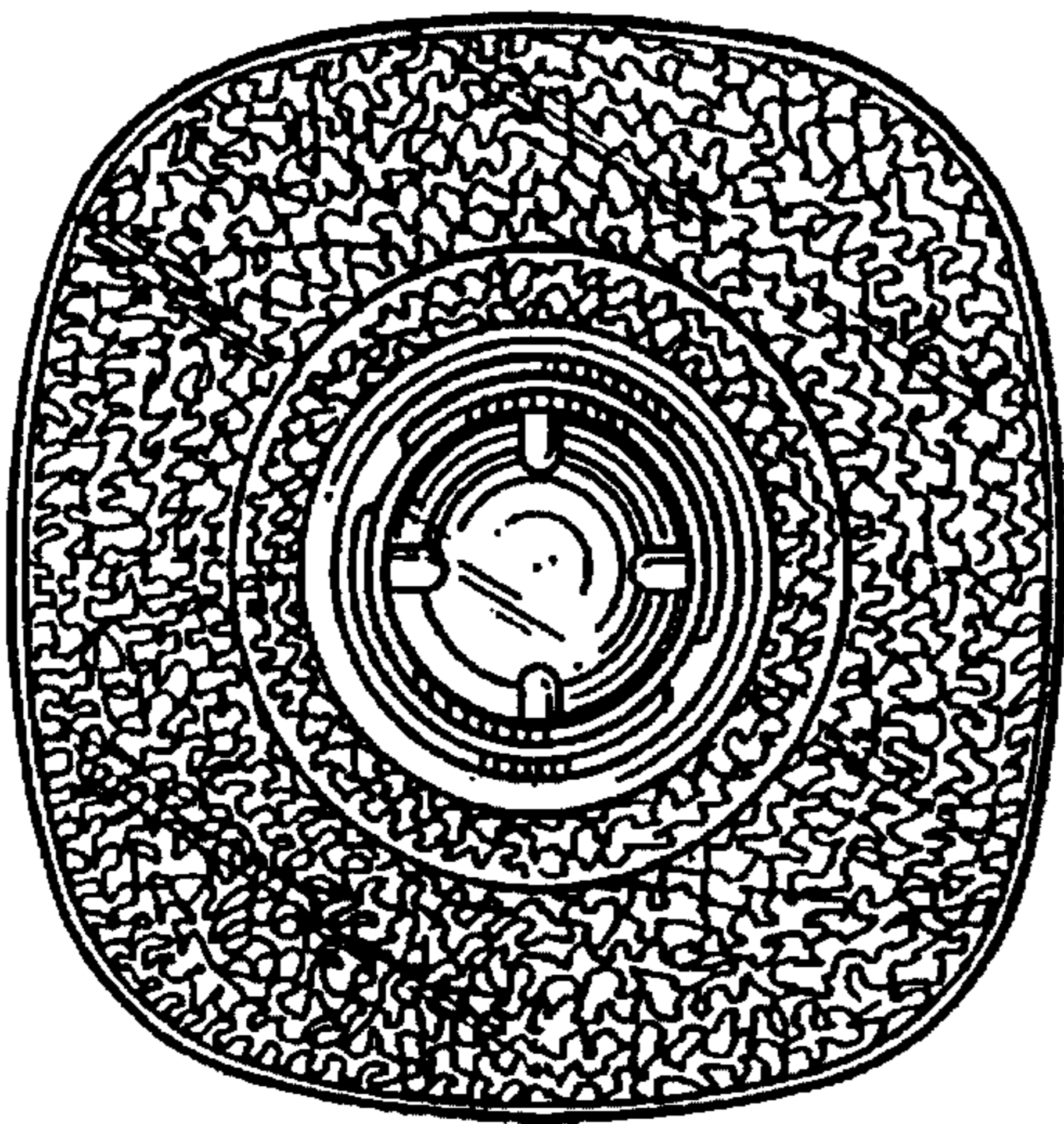


FIG. 4

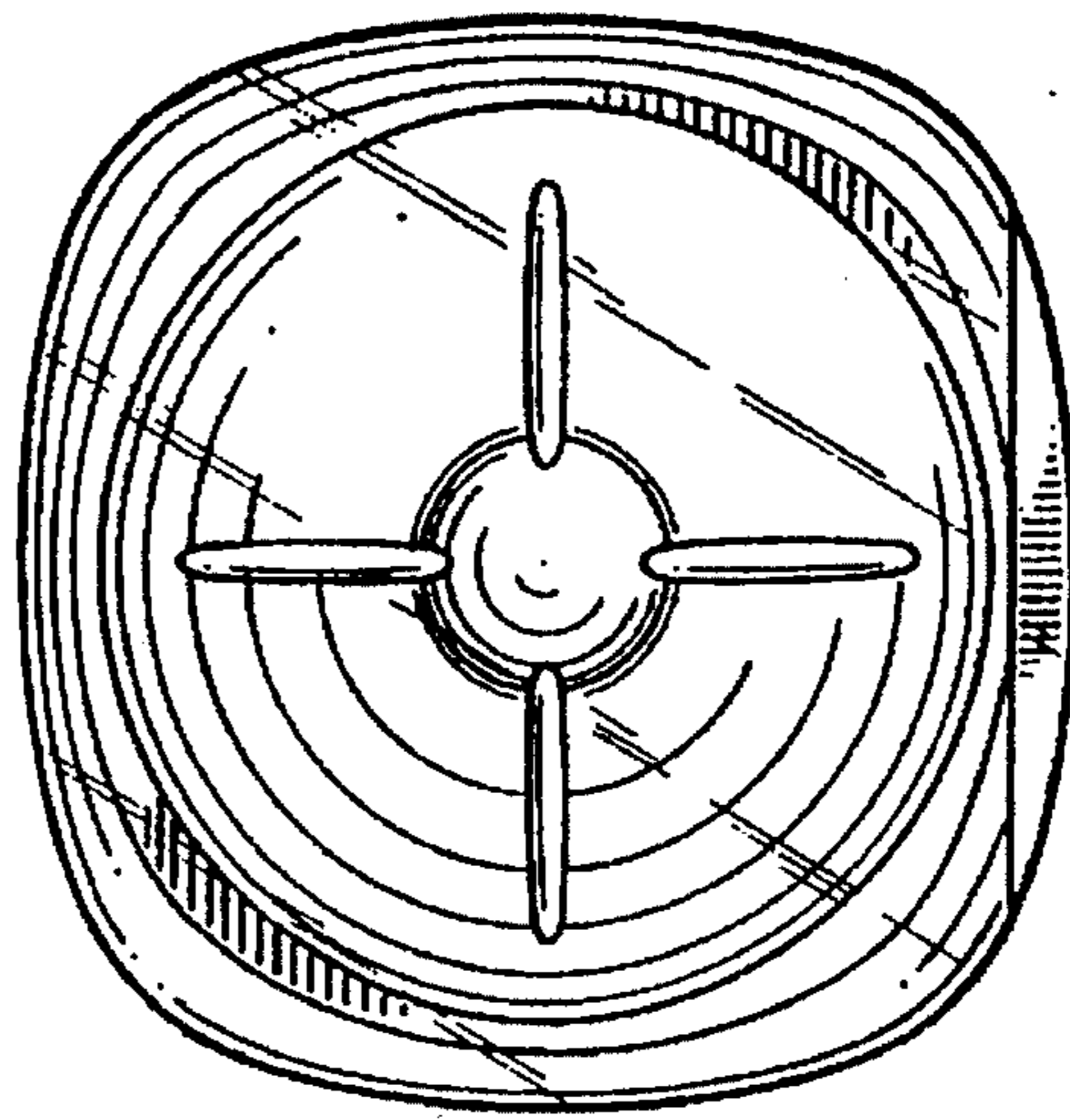


FIG. 5

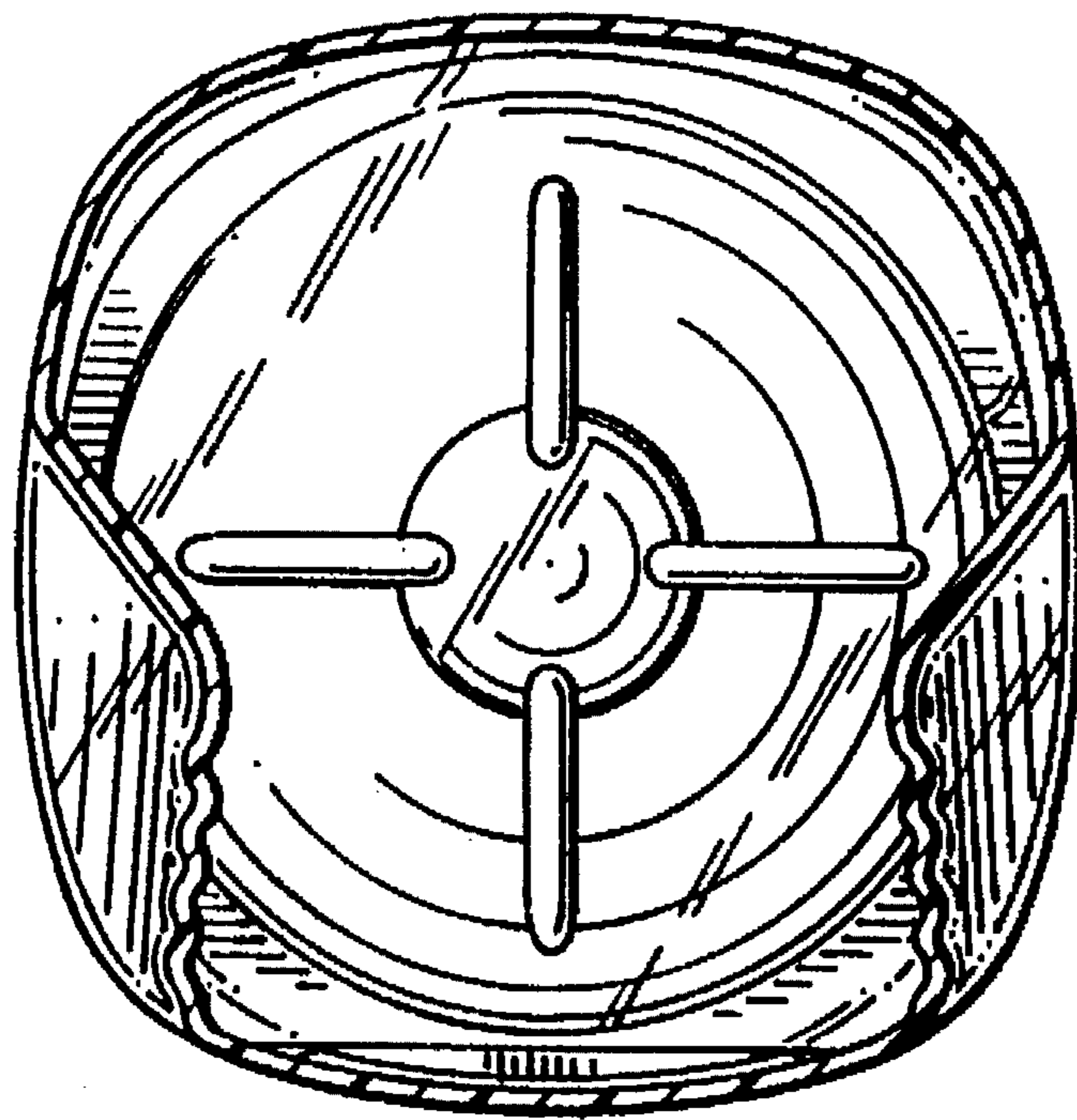


FIG. 6