



US00D379759S

United States Patent [19] Mulry

[11] Patent Number: **Des. 379,759**
[45] Date of Patent: ****Jun. 10, 1997**

[54] **FLIP-TOP CARTON**
[75] Inventor: **Patrick E. Mulry**, Grand Rapids, Mich.
[73] Assignee: **Amway Corporation**, Ada, Mich.
[**] Term: **14 Years**
[21] Appl. No.: **51,711**
[22] Filed: **Mar. 15, 1996**
[51] LOC (6) Cl. **09-07**
[52] U.S. Cl. **D9/418; D9/416**
[58] Field of Search D9/418, 416, 432,
D9/433, 414; 229/225, 237, 210, 221, 162,
917, 117.16, 117.23, 117.26, 242; 206/769,
771

3,207,416 9/1965 Koltz et al. 229/225
4,169,539 10/1979 Price .
4,318,474 3/1982 Hasegawa 229/242 X
4,447,004 5/1984 House et al. .
4,913,292 4/1990 Field 229/231
5,031,825 7/1991 Romagnoli 229/225 X
5,193,740 3/1993 New Borough et al. 229/242 X
5,209,394 5/1993 Griffiths et al. 229/225 X
5,238,179 8/1993 Hart .
5,320,279 6/1994 Giblin et al. .
5,373,960 12/1994 Gunn et al. .
5,437,407 8/1995 Kim .

Primary Examiner—Prabhakar G. Deshmukh
Attorney, Agent, or Firm—Warner Norcross & Judd

[57] CLAIM

The ornamental design for flip-top carton, as shown and described.

[56] References Cited

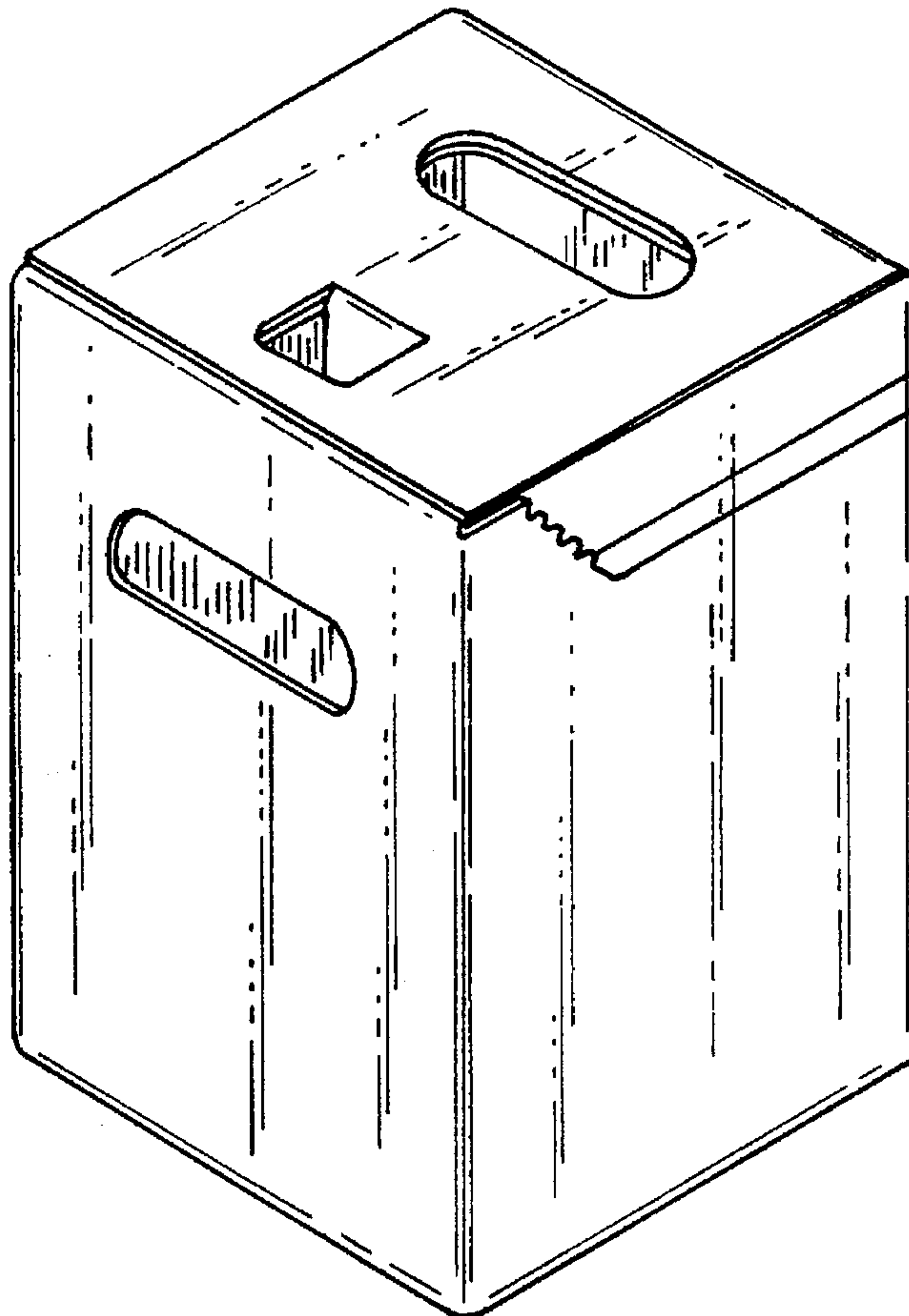
U.S. PATENT DOCUMENTS

D. 299,431 1/1989 Gustafsson D9/416 X
D. 329,199 9/1992 Corso .
D. 350,480 9/1994 Sutherland .
D. 352,453 11/1994 Bacchetti et al. .
D. 356,253 3/1995 Bacchetti et al. .
D. 360,131 7/1995 Tudor D9/432 X
D. 364,087 11/1995 Farley .
2,348,377 5/1944 Goodyear 229/225
3,119,544 1/1964 Cope et al. .

DESCRIPTION

FIG. 1 is a rear perspective view of the flip-top carton embodying the new design;
FIG. 2 is a front elevational view thereof;
FIG. 3 is a rear elevational view thereof;
FIG. 4 is a top plan view thereof;
FIG. 5 is a bottom plan view thereof;
FIG. 6 is a left side elevational view thereof; and,
FIG. 7 is a right side elevational view thereof.

1 Claim, 2 Drawing Sheets



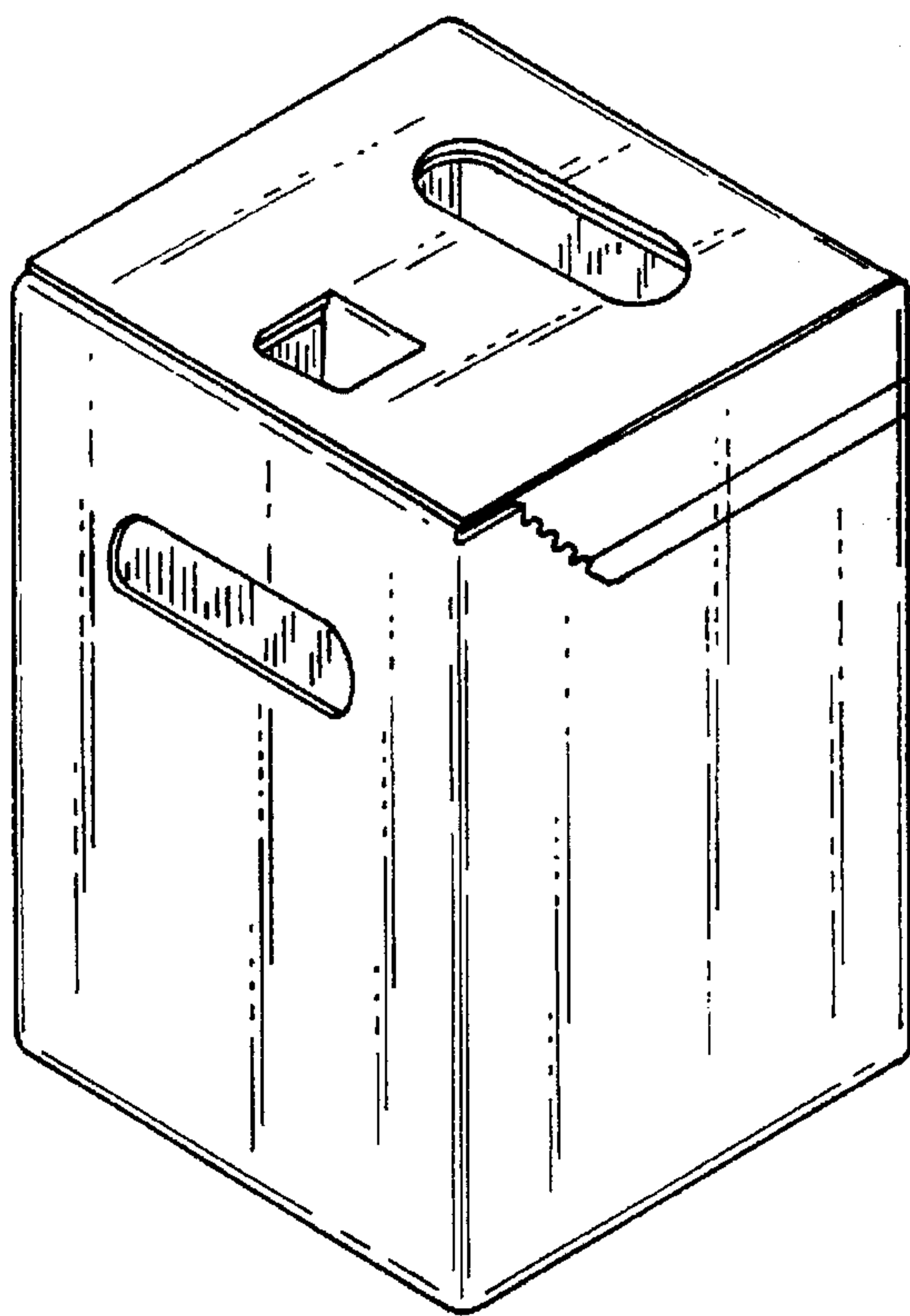


FIG. 1

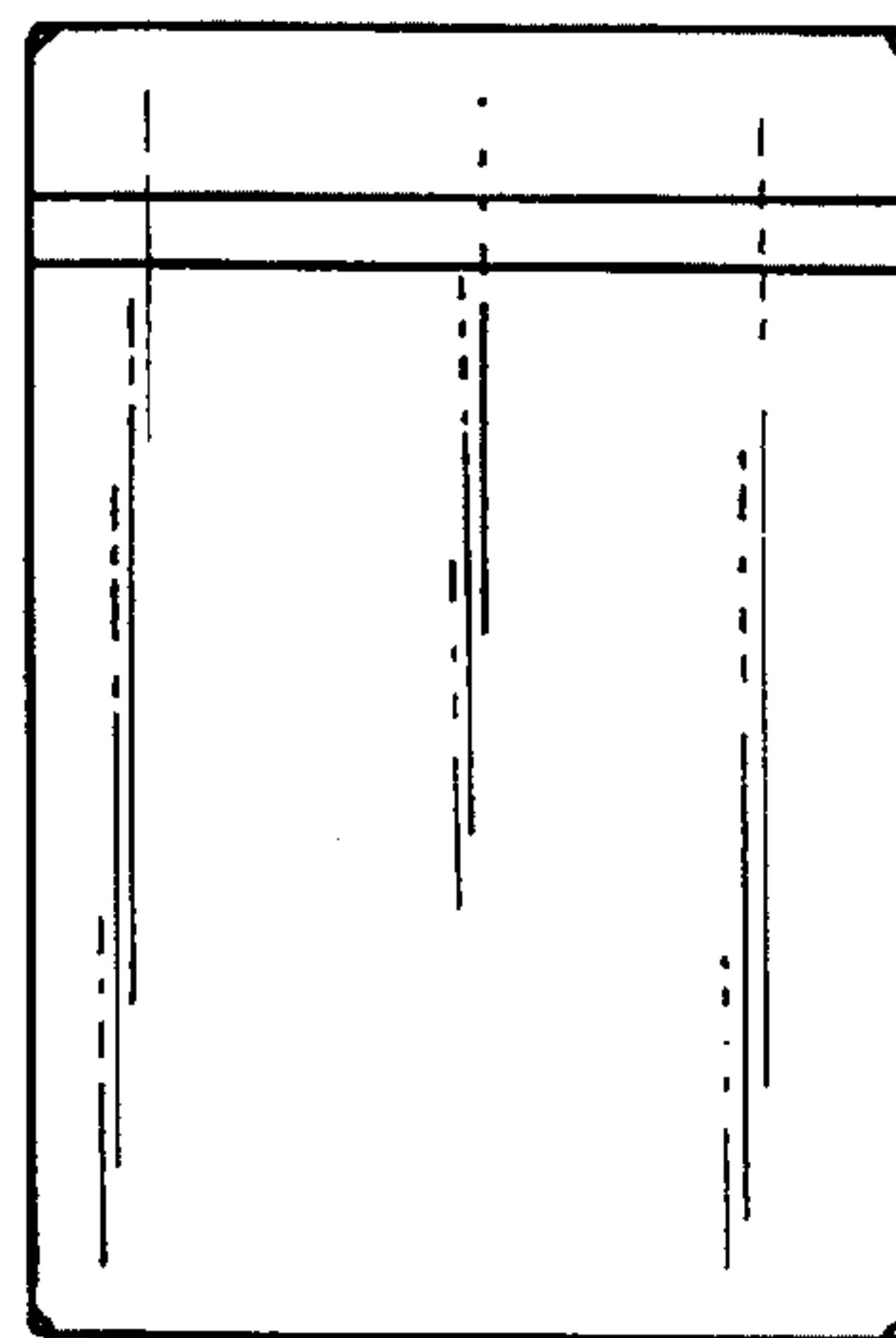


FIG. 2

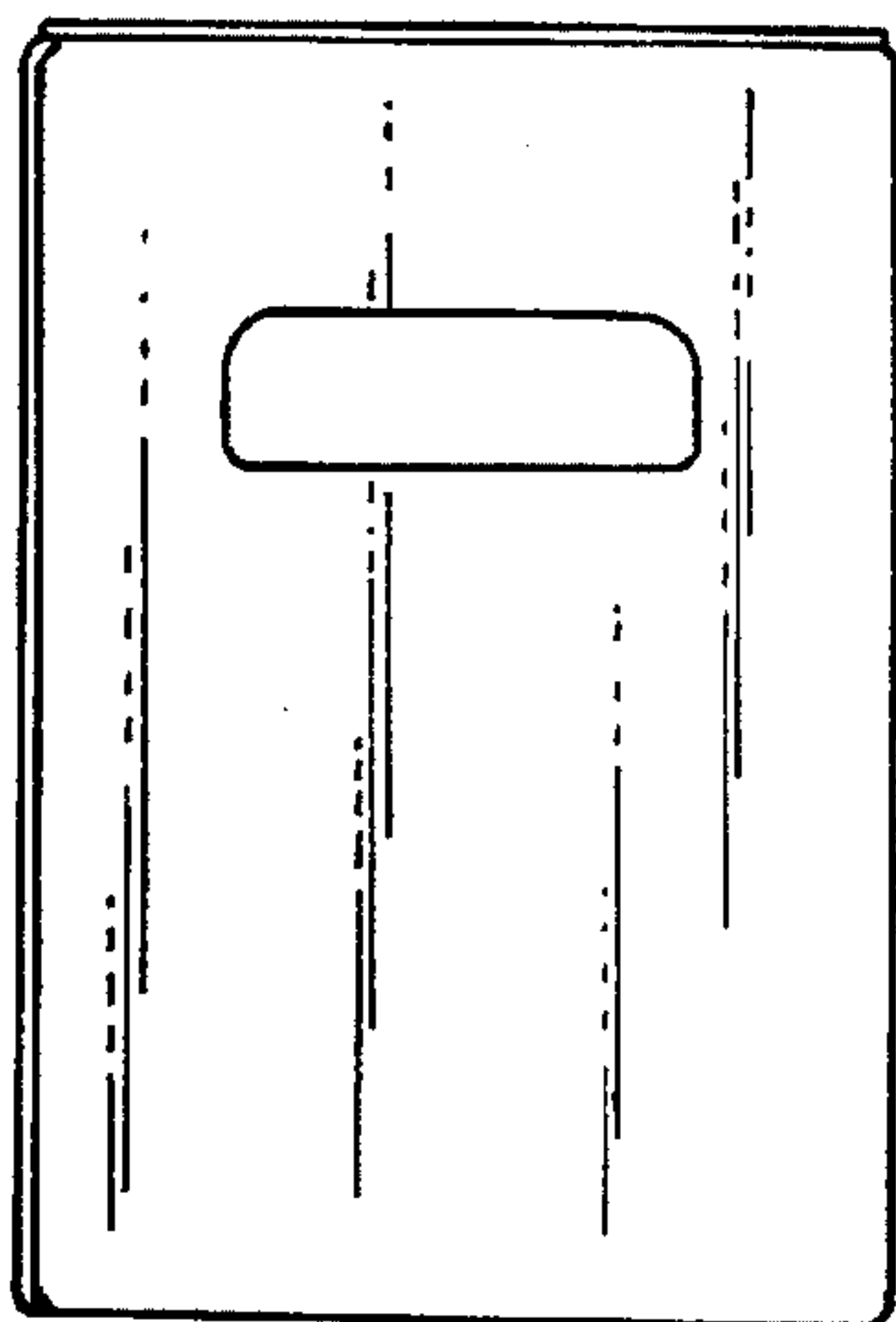


FIG. 3

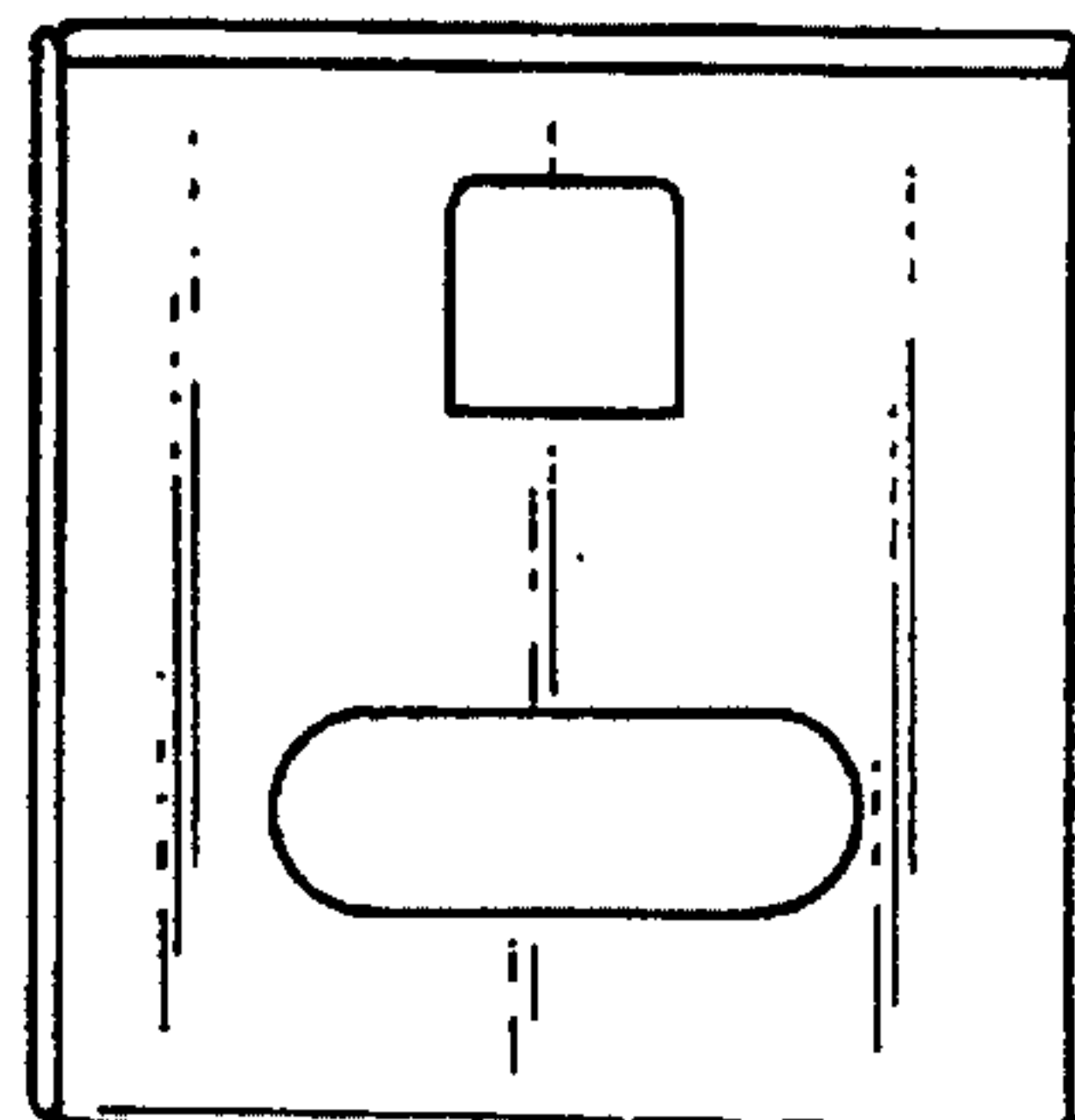


FIG. 4

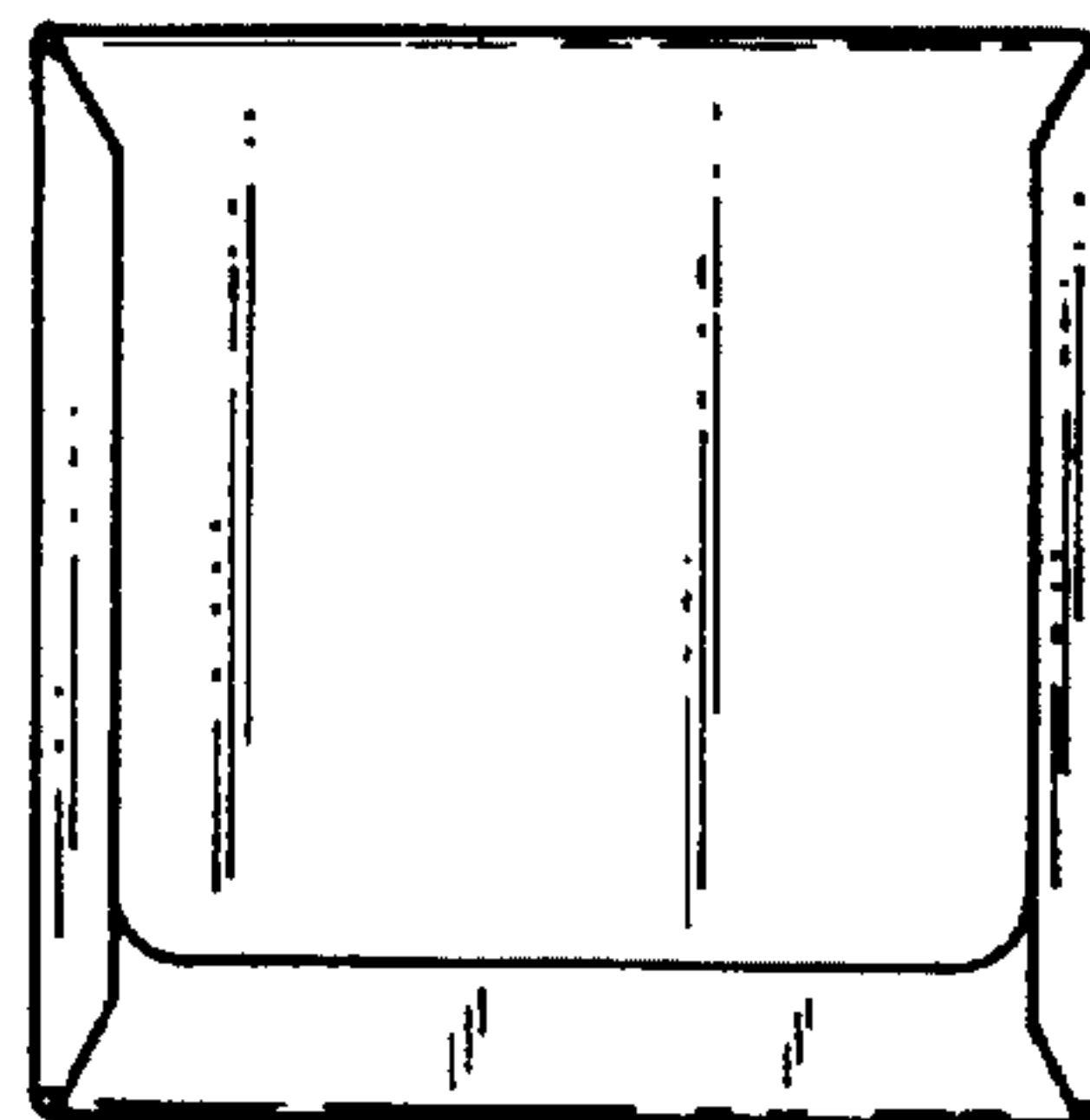


FIG. 5

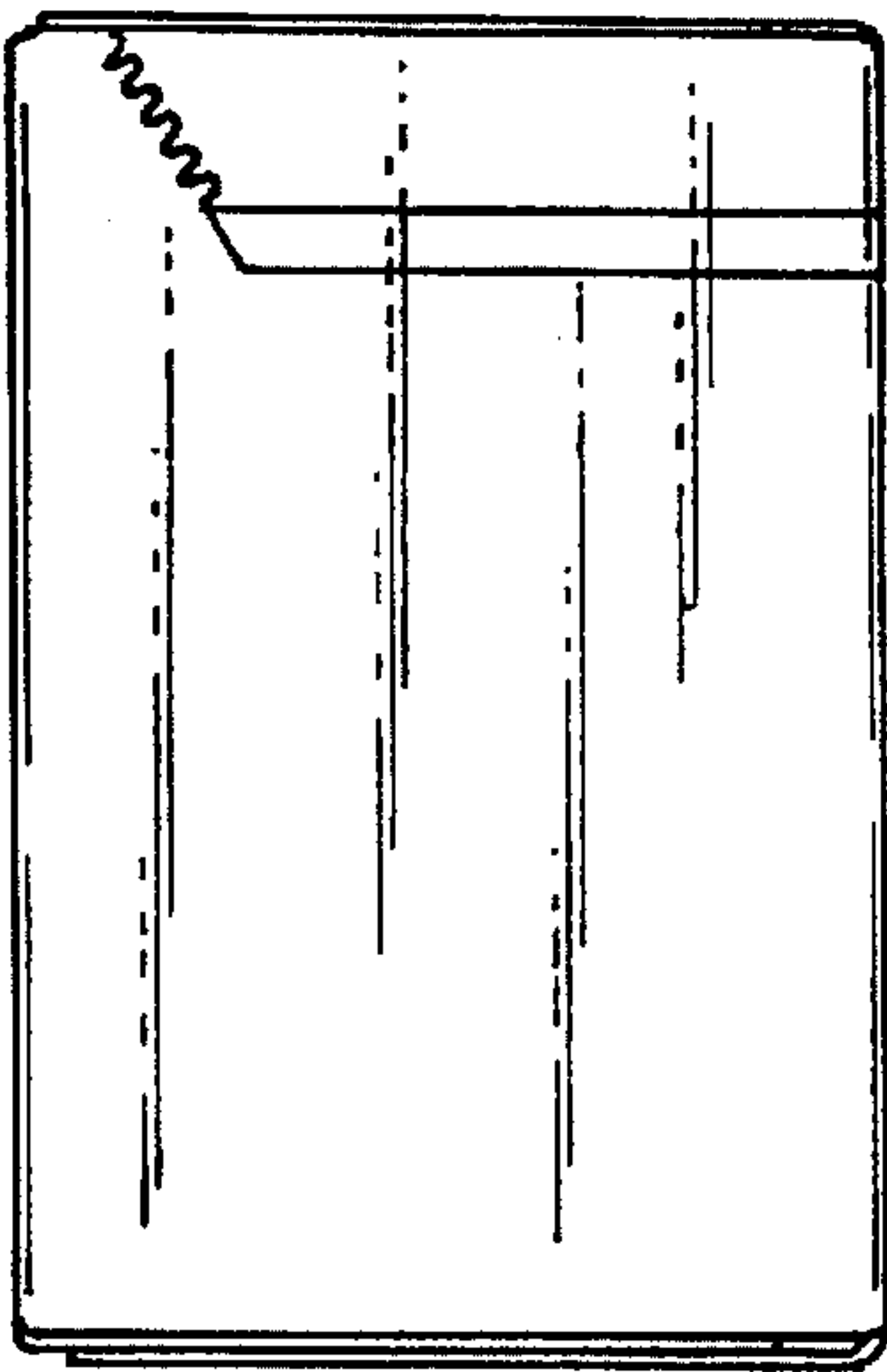


FIG. 6

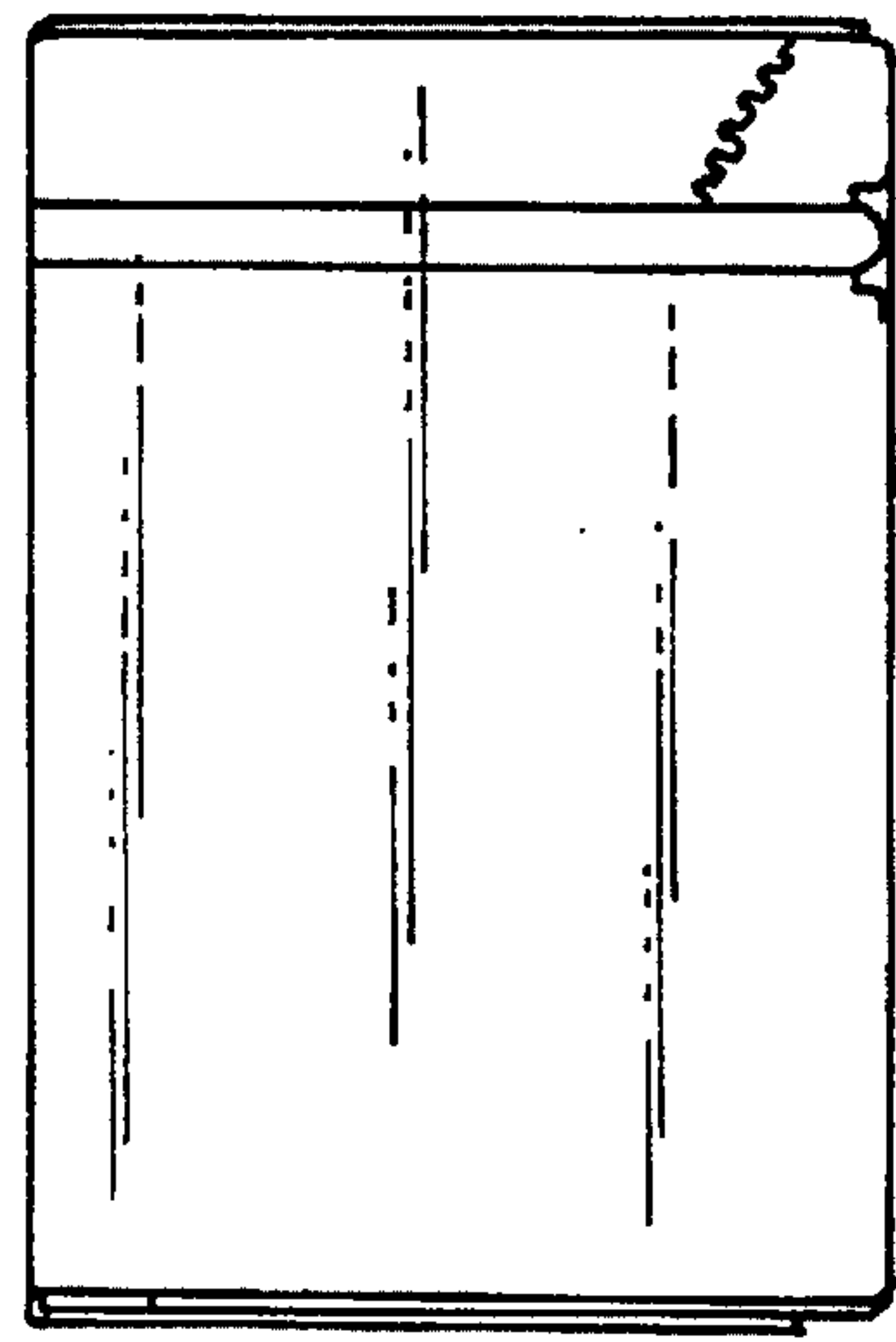


FIG. 7