



US00D379758S

United States Patent [19]

Chu Lee

[11] Patent Number: **Des. 379,758**

[45] Date of Patent: ****Jun. 10, 1997**

[54] **WATCH CUFF**

[75] Inventor: **Bennie L. Chu Lee**, Brooklyn, N.Y.

[73] Assignee: **M. Z. Berger & Company**, Long Island City, N.Y.

[**] Term: **14 Years**

[21] Appl. No.: **41,454**

[22] Filed: **Jul. 14, 1995**

[51] LOC (6) Cl. **09-07**

[52] U.S. Cl. **D9/415; D20/10; D9/422**

[58] Field of Search D20/10; 40/1, 40/642, 649; D9/415, 422, 434, 455, 499; 206/301, 18, 6.1, 566, 45.14, 377, 822; D24/124, 189; D6/396, 449, 509

[56] **References Cited**

U.S. PATENT DOCUMENTS

D. 343,357	1/1994	Masunaga	D9/422
4,034,849	7/1977	Zakrajsek	D9/422 X
4,082,183	4/1978	Sturn	206/301
4,216,858	8/1980	Beauchamp	206/6.1 X

4,830,181	5/1989	Hartman	206/301 X
5,136,557	8/1992	Plawker et al.	248/116 X
5,377,822	1/1995	Herzog	206/45.14
5,383,552	1/1995	Dikowitz	206/301 X

FOREIGN PATENT DOCUMENTS

248983	3/1948	Switzerland	248/116
--------	--------	-------------	-------	---------

Primary Examiner—Susan J. Lucas
Assistant Examiner—Cynthia E. Ramirez
Attorney, Agent, or Firm—Helfgott & Karas, P.C.

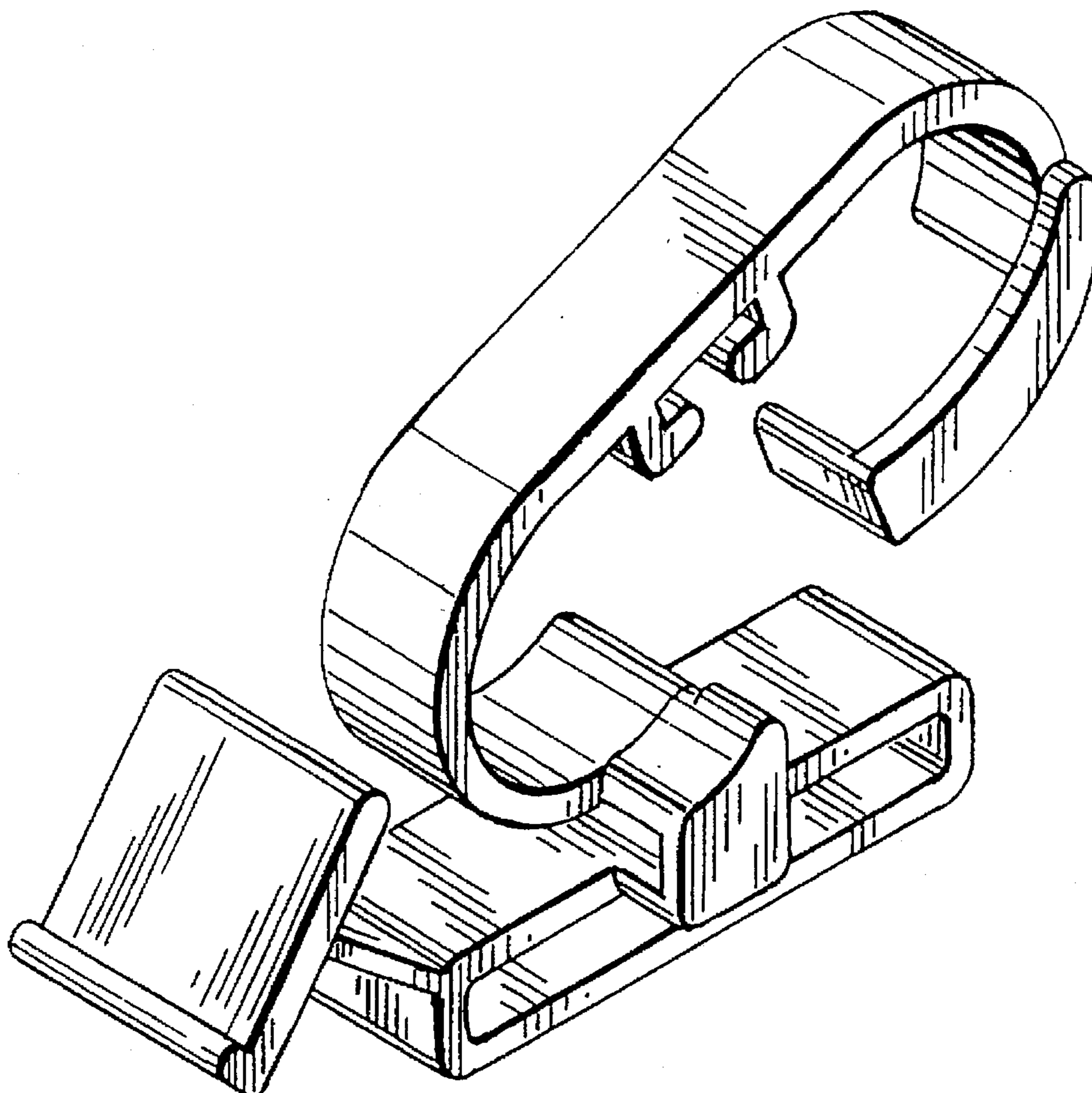
[57] **CLAIM**

The ornamental design for a watch cuff, as shown.

DESCRIPTION

FIG. 1 is a perspective view of a watch cuff showing my new design;
FIG. 2 is a top view thereof;
FIG. 3 is a front view thereof;
FIG. 4 is a right side view thereof;
FIG. 5 is a left side view thereof;
FIG. 6 is a bottom view thereof; and,
FIG. 7 is a rear view thereof.

1 Claim, 2 Drawing Sheets



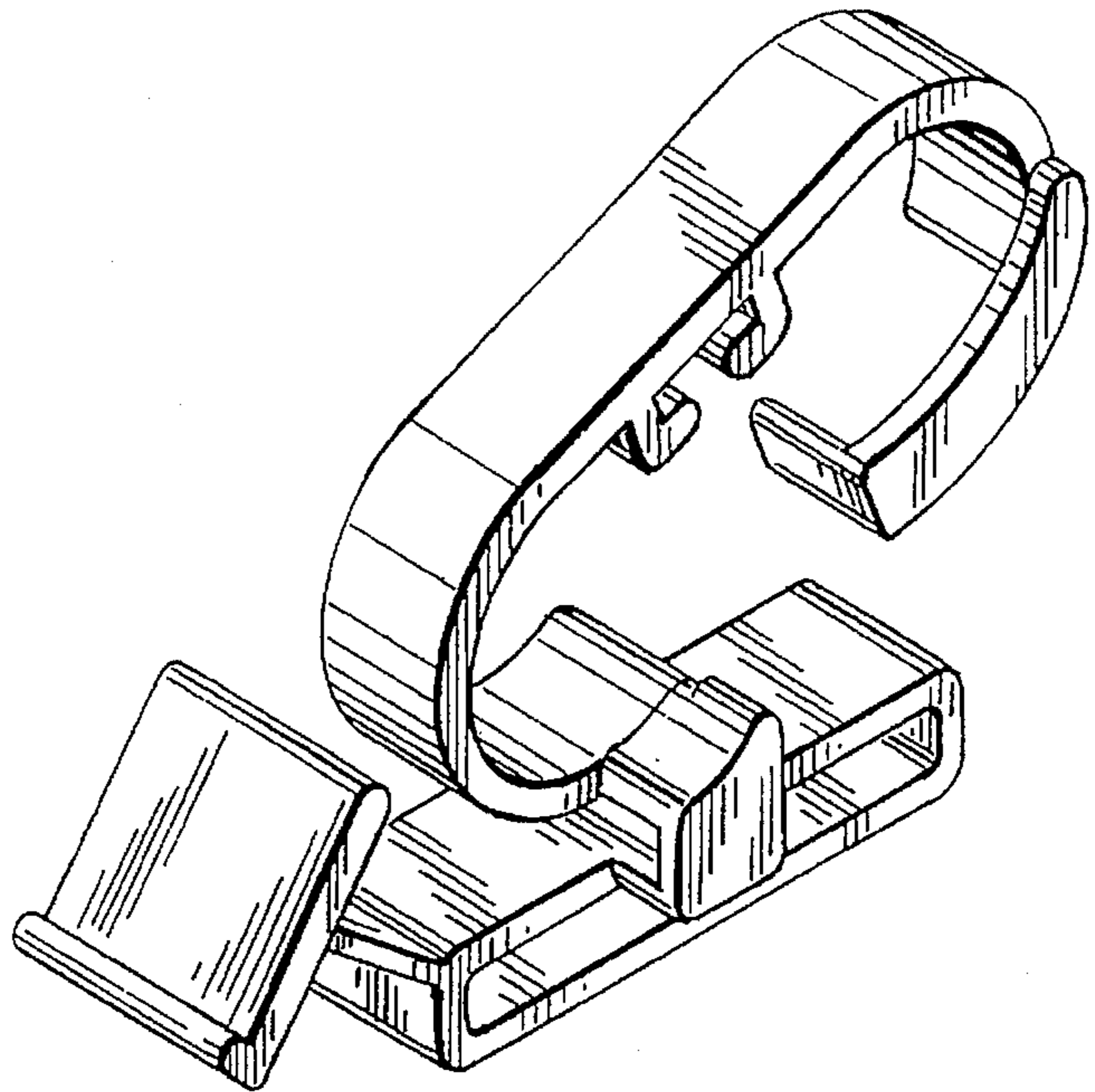


FIG. 1

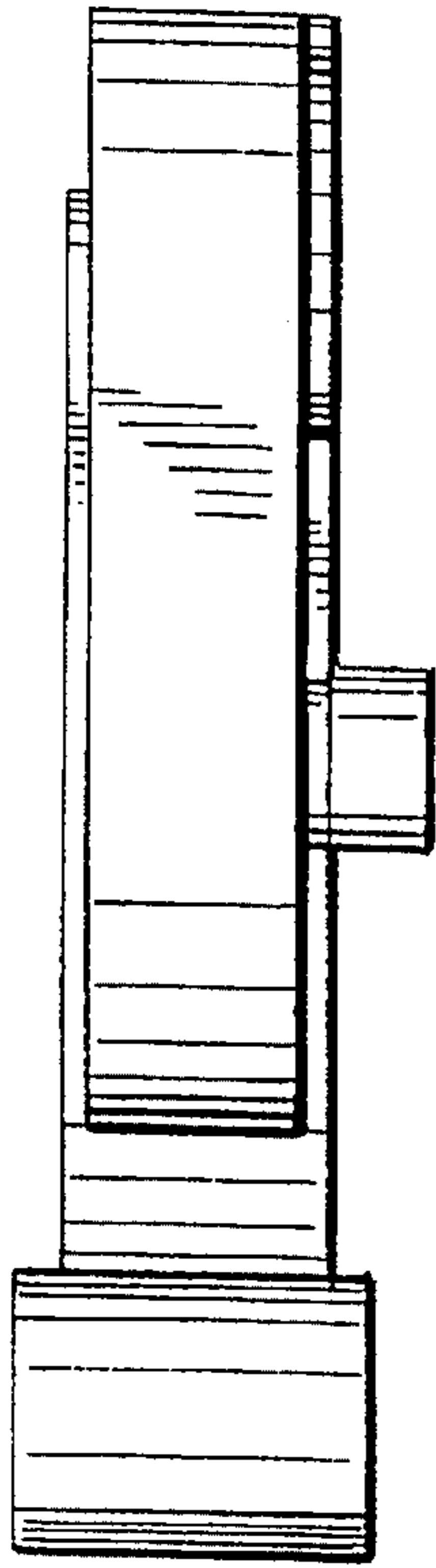


FIG. 2

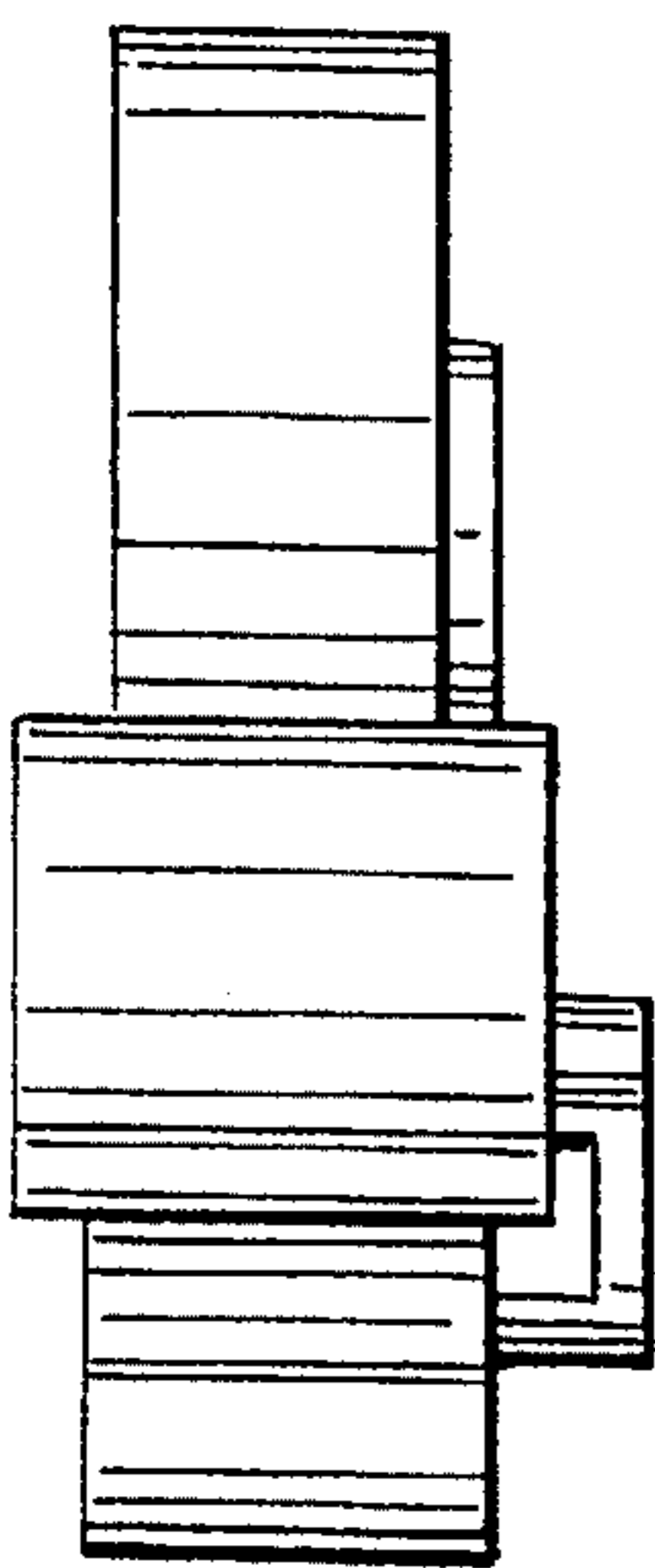


FIG. 3

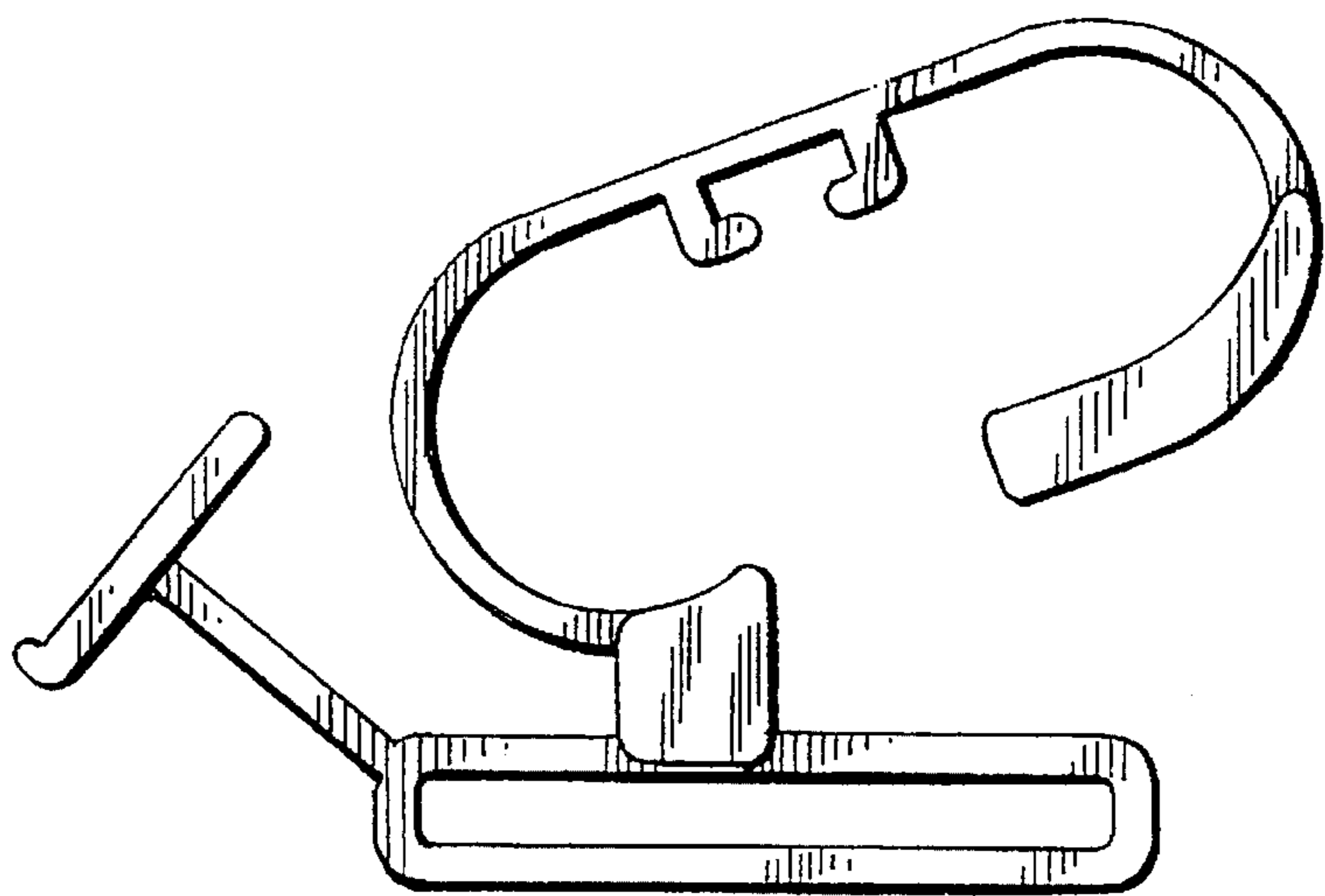


FIG. 4

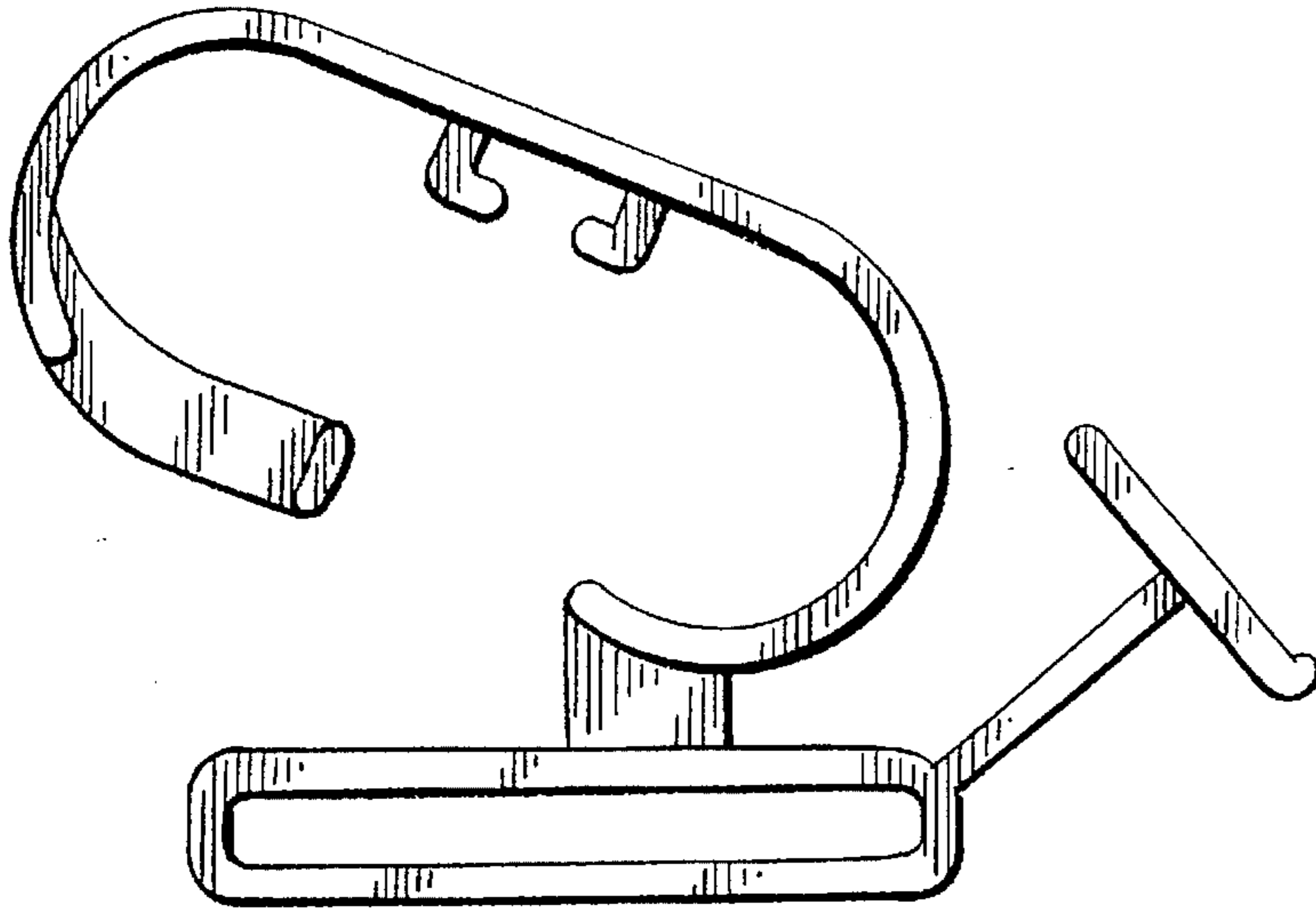


FIG. 5

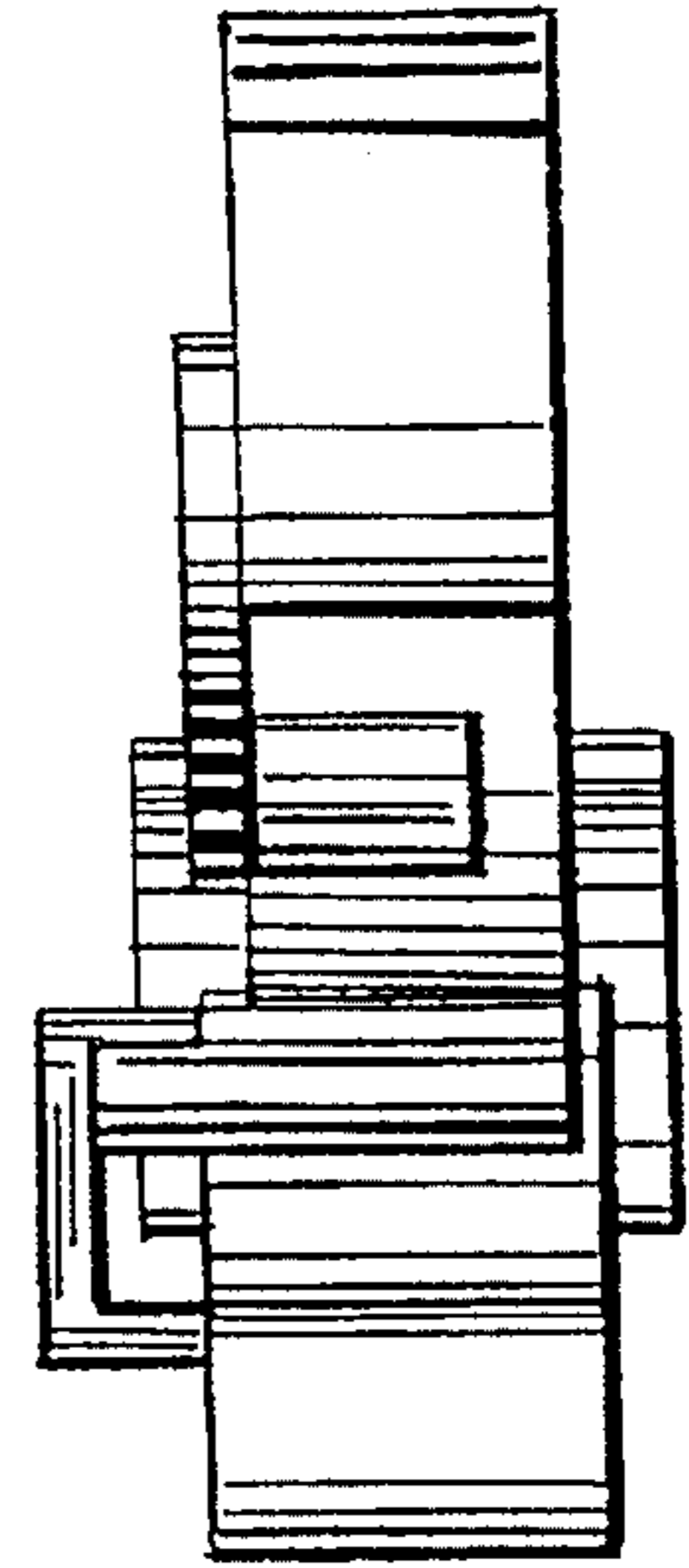


FIG. 6

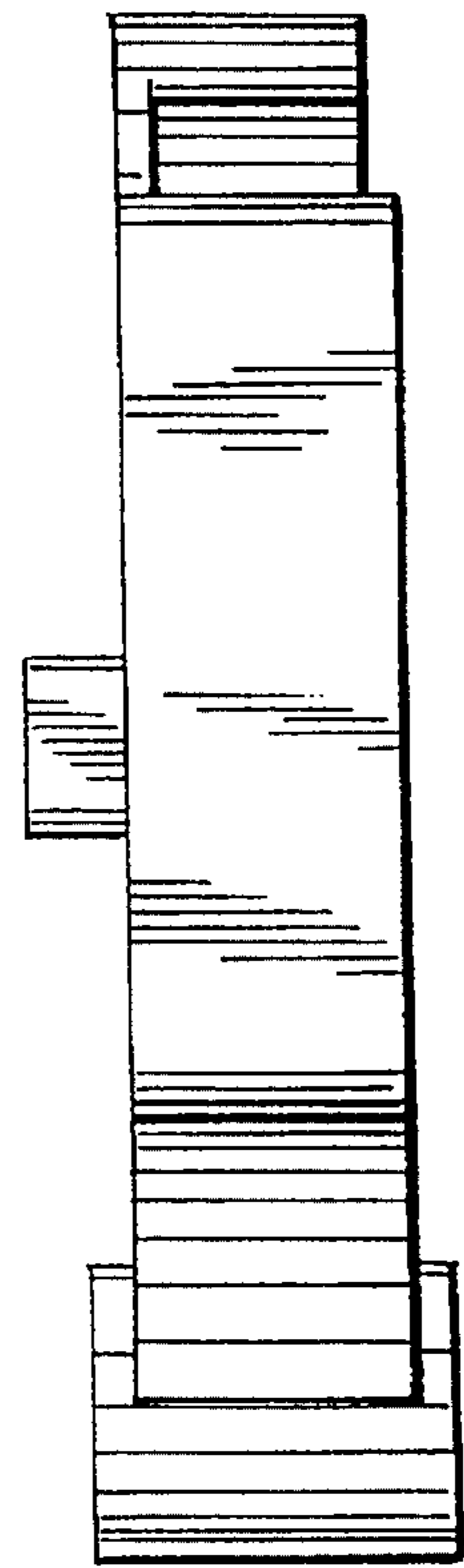


FIG. 7