



US00D379756S

# United States Patent [19] Parduhn

[11] Patent Number: **Des. 379,756**

[45] Date of Patent: **\*\*Jun. 10, 1997**

[54] **SPAN WIRE CLAMP**

[75] Inventor: **Stephen P. Parduhn**, Edmond, Okla.

[73] Assignee: **Pelco Products, Inc.**, Edmond, Okla.

[\*\*] Term: **14 Years**

[21] Appl. No.: **33,678**

[22] Filed: **Jan. 18, 1995**

[51] LOC (6) Cl. .... **08-08**

[52] U.S. Cl. .... **D8/373**

[58] Field of Search ..... D8/373, 394-6;  
248/58, 61, 214, 295, 317

Automatic Signal catalog, p. J-1, published prior to 1985.  
Safetran Traffic Systems, Inc. catalog, pp. SX11-13, published prior to 1980—2way hanger.

General Traffic Equipment Corp. catalog, p. 8410, published prior to 1990. —SWC—320F.

*Primary Examiner*—B.J. Bullock  
*Attorney, Agent, or Firm*—McKinney, Stringer & Webster

### [57] CLAIM

The ornamental design for a span wire clamp, as shown.

### DESCRIPTION

FIG. 1 is a perspective view of my new design for a span wire clamp;

FIG. 2 is a view of one end thereof, the opposing end view being the mirror image thereof;

FIG. 3 is an elevational view of the first side thereof;

FIG. 4 is an elevational view of the opposing side thereof;

FIG. 5 is a plan view thereof; and,

FIG. 6 is a bottom view thereof.

### [56] References Cited

#### U.S. PATENT DOCUMENTS

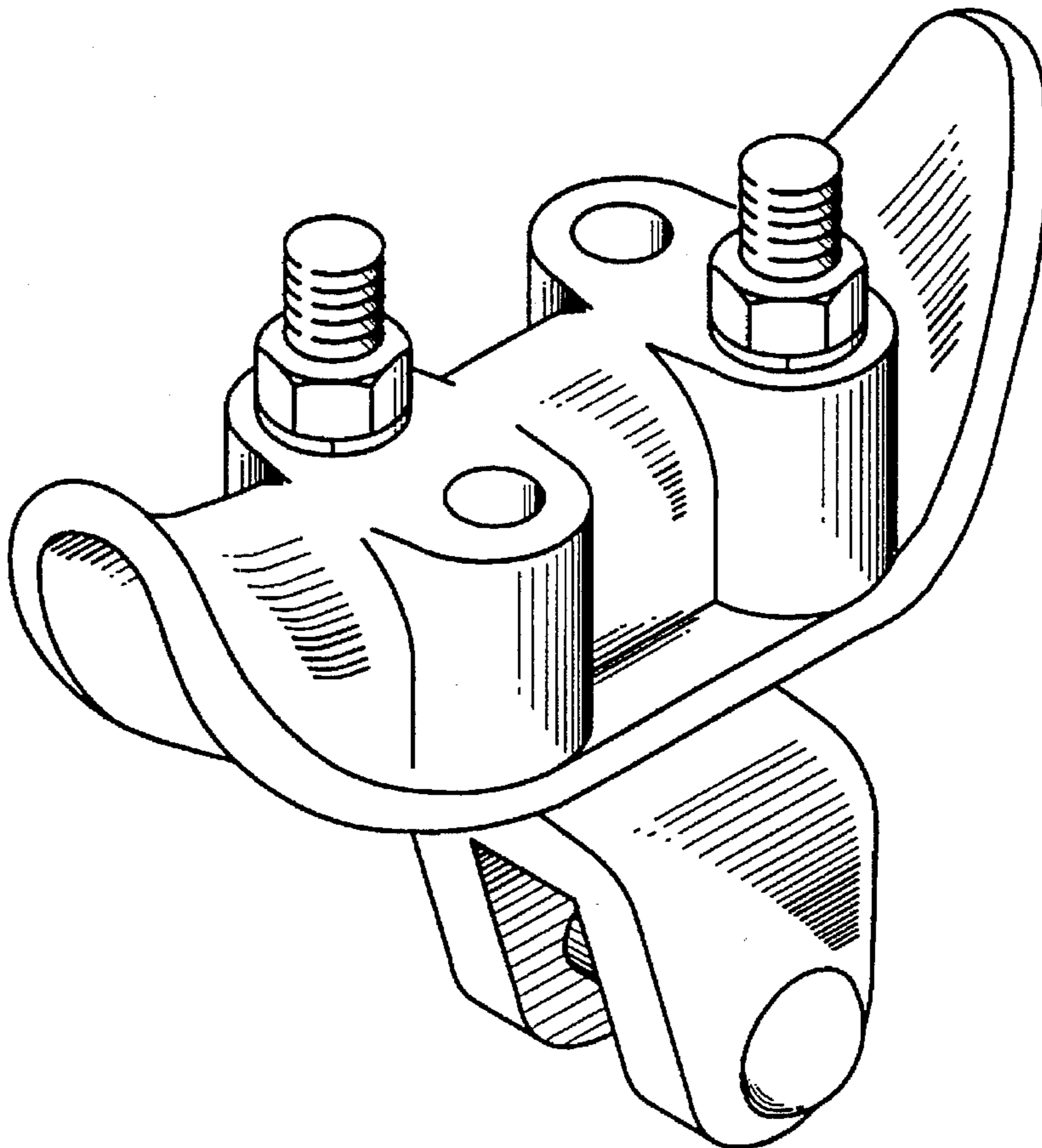
2,462,247	2/1949	Wright	248/61
2,699,462	1/1955	Exner	D8/356
3,989,217	11/1976	Friedman	248/61
4,520,984	6/1985	Rouleau	248/317

#### OTHER PUBLICATIONS

Pelco Products, Inc., product Bulletin 118, published Aug. 12, 1991. See Items 1-4.

Traffic Control Technologies, Inc. catalog, published Dec. 1979.

**1 Claim, 5 Drawing Sheets**



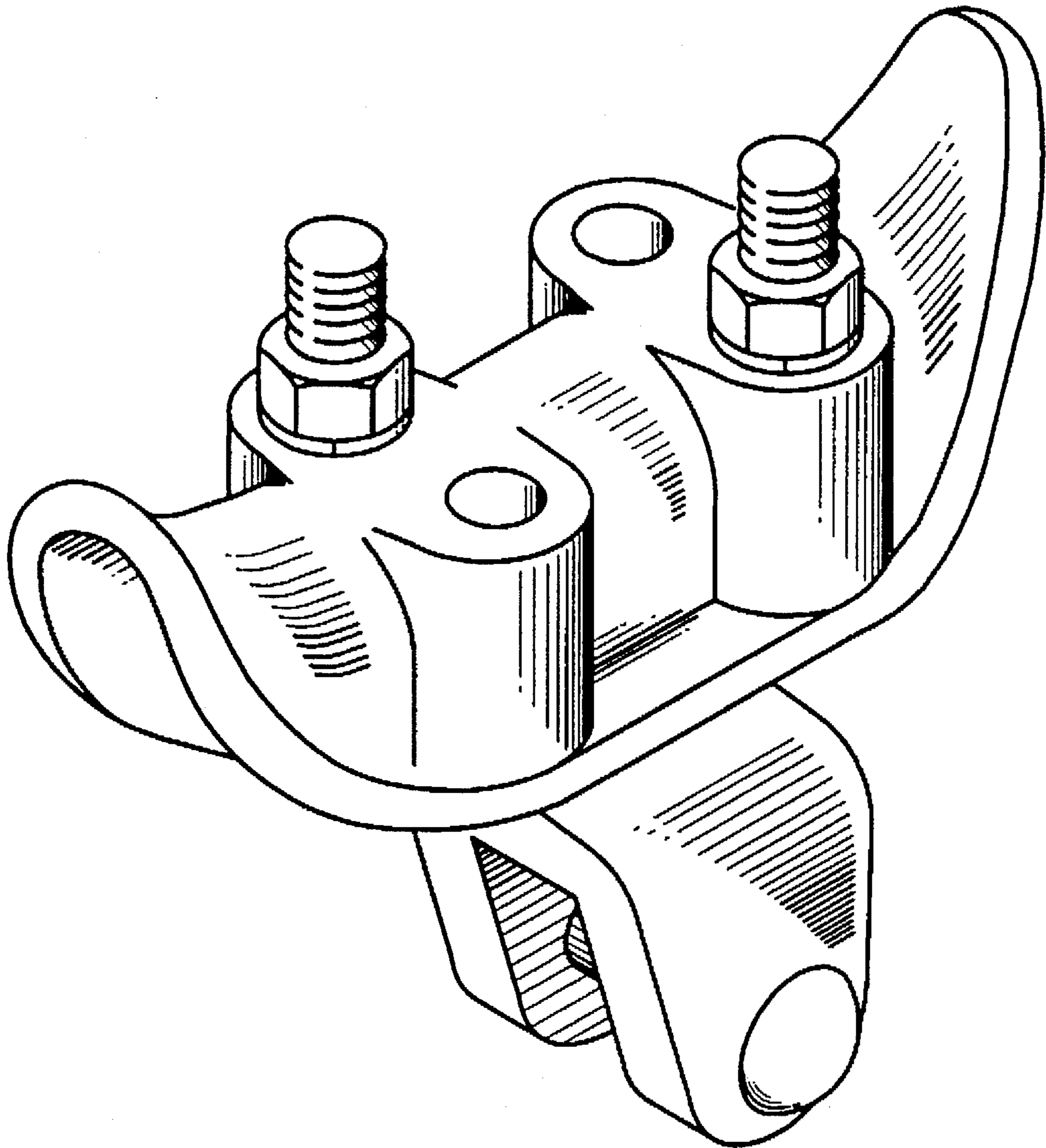


Fig. 1

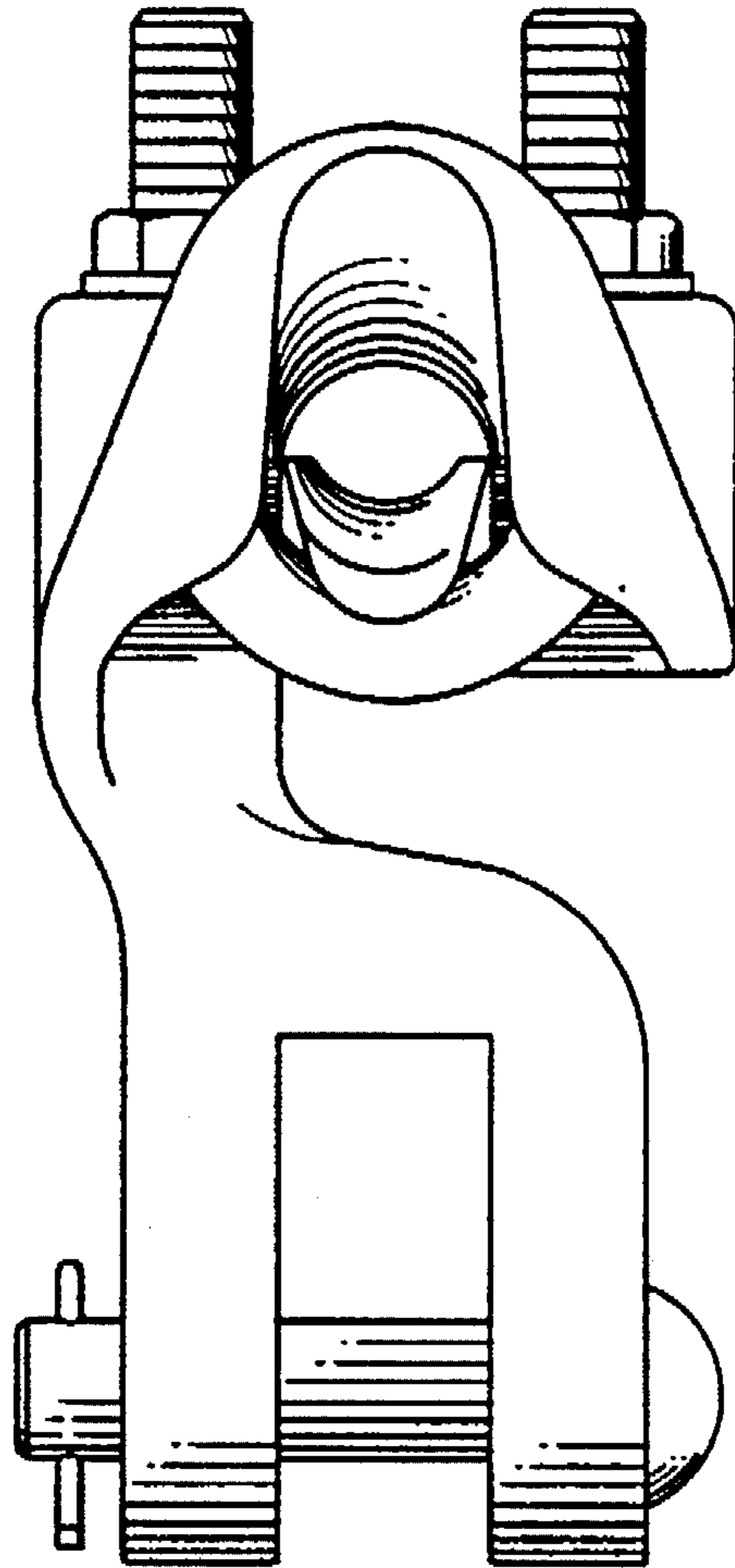


Fig. 2

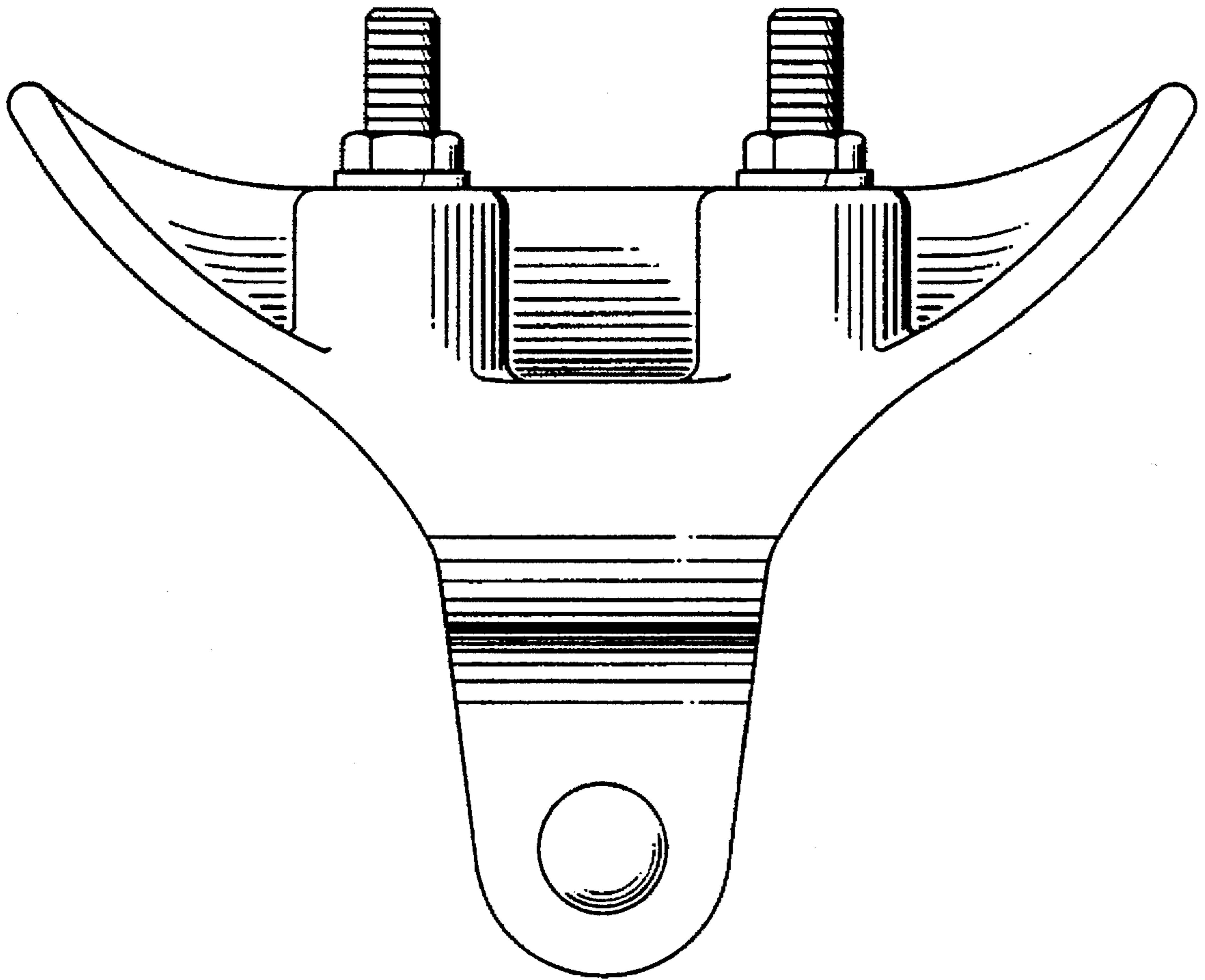


Fig. 3

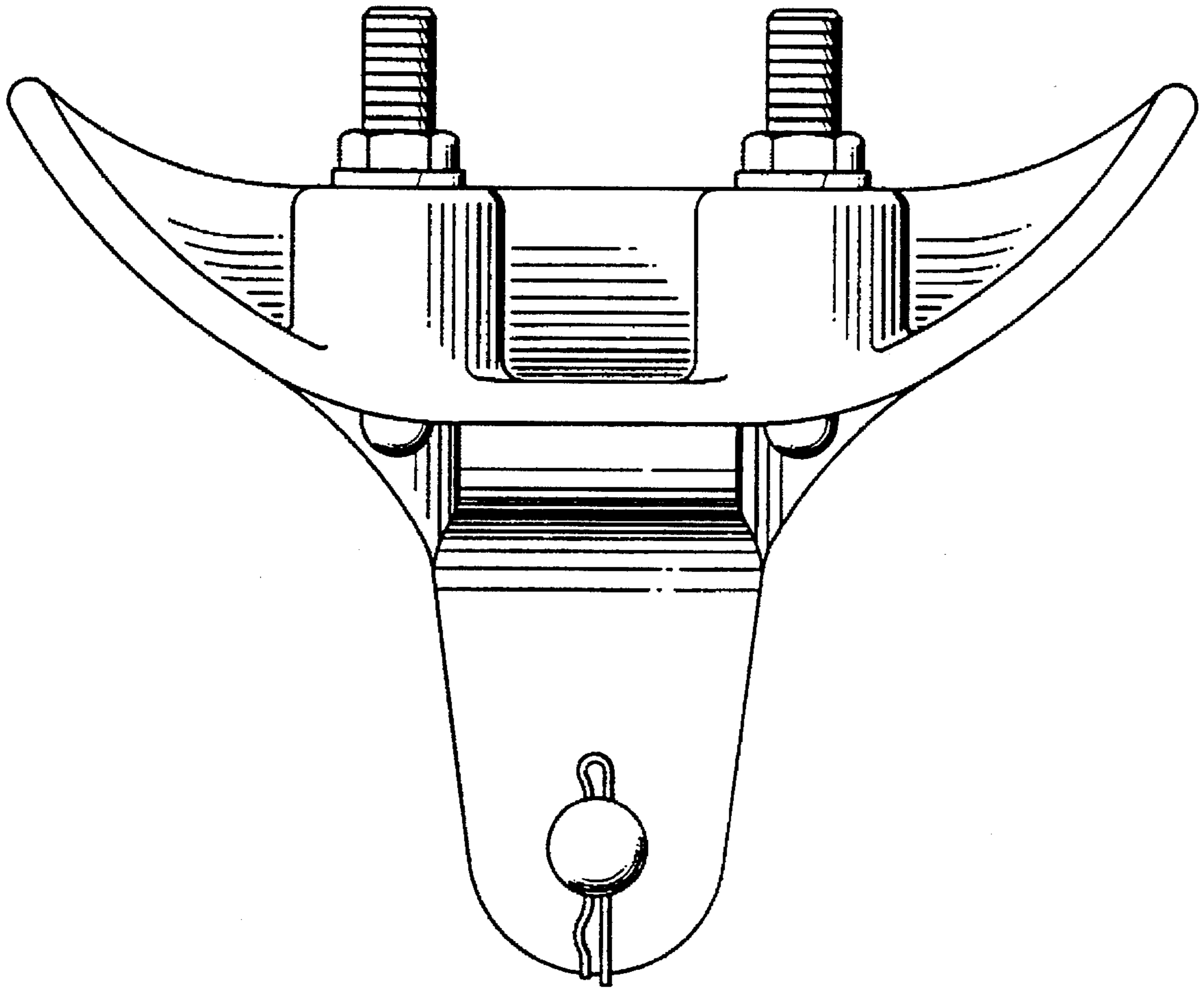


Fig. 4

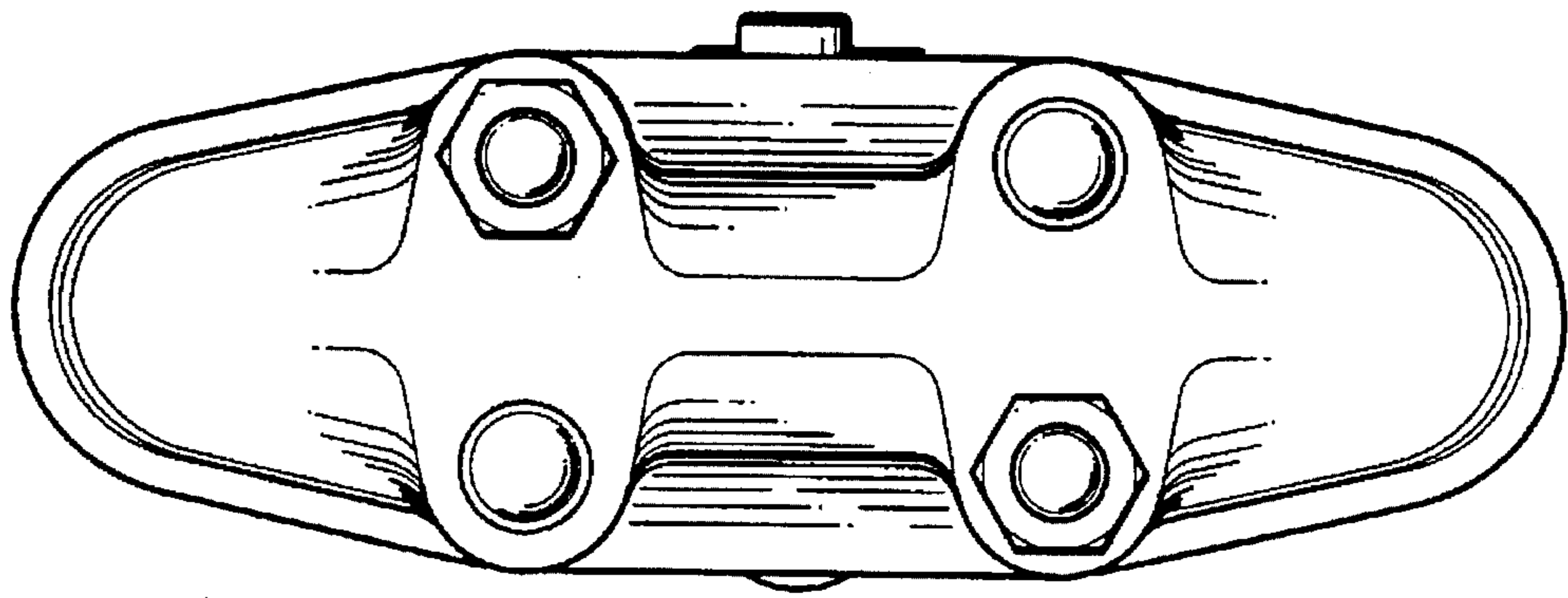


Fig. 5

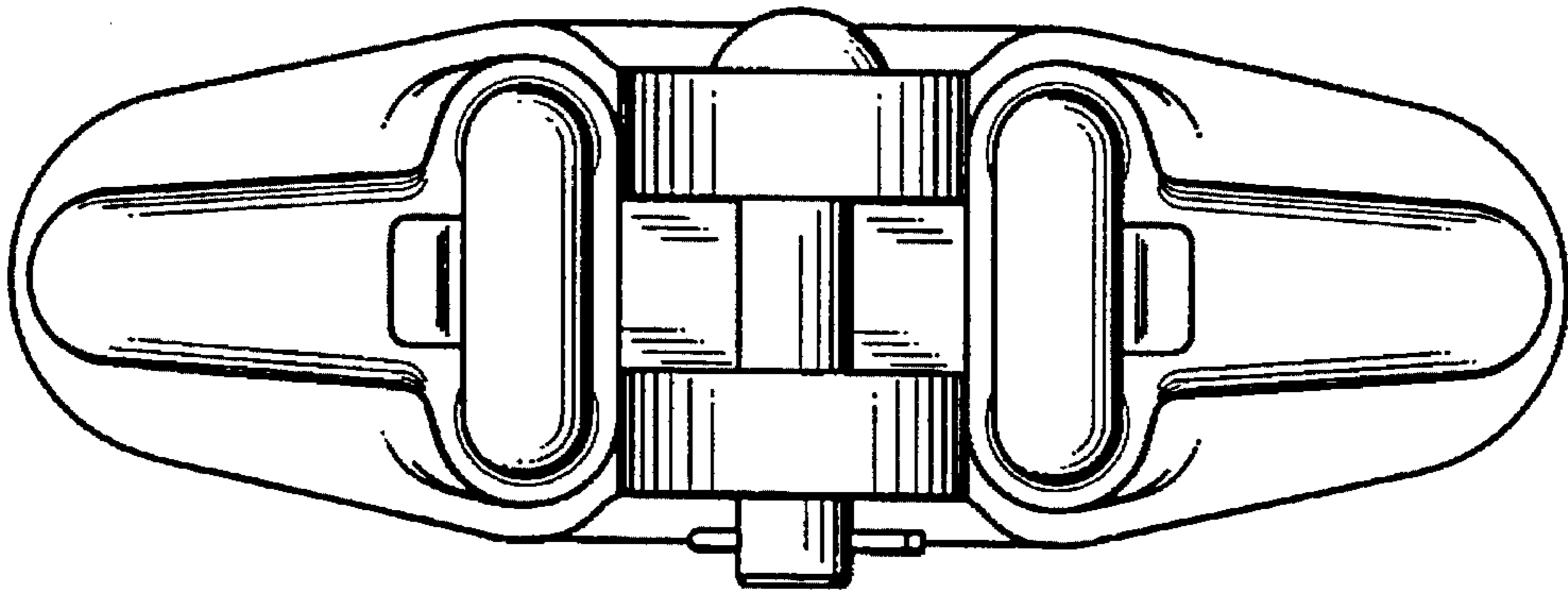


Fig. 6