



US00D379753S

# United States Patent [19] Honda

[11] Patent Number: **Des. 379,753**

[45] Date of Patent: **\*\*Jun. 10, 1997**

## [54] HINGE FOR DOOR SUPPORTED BY PIPES

[75] Inventor: **Yuzo Honda**, Shizuoka-ken, Japan

[73] Assignee: **Yazaki Industrial Chemical Co., Ltd.**,  
Shizouka, Japan

[\*\*] Term: **14 Years**

[21] Appl. No.: **24,681**

[22] Filed: **Jun. 20, 1994**

[51] LOC (6) Cl. .... **08-06**

[52] U.S. Cl. .... **D8/323**

[58] Field of Search ..... **D8/323; 16/252,**  
**16/253, 387; 49/381**

## [56] References Cited

### U.S. PATENT DOCUMENTS

D. 291,409	8/1987	Themistos et al. ....	D8/329 X
1,168,523	1/1916	Louden .....	16/253
1,232,048	7/1917	Kolkmeier .....	16/253
1,261,678	4/1918	Barnes et al. ....	16/253
1,467,190	9/1923	Muhlenbruch .....	16/253
1,793,013	2/1931	Robertson .....	16/253
2,763,890	9/1956	Cox .....	16/253
3,751,084	8/1973	Lening .....	292/114
4,124,954	11/1978	Redick .....	49/381 X

## OTHER PUBLICATIONS

Catalogue Takigen No. 14, published May 15, 1993, pp. 273.

*Primary Examiner*—Ted Shooman

*Assistant Examiner*—C. Tuttle

*Attorney, Agent, or Firm*—Banner & Allegretti, Ltd.

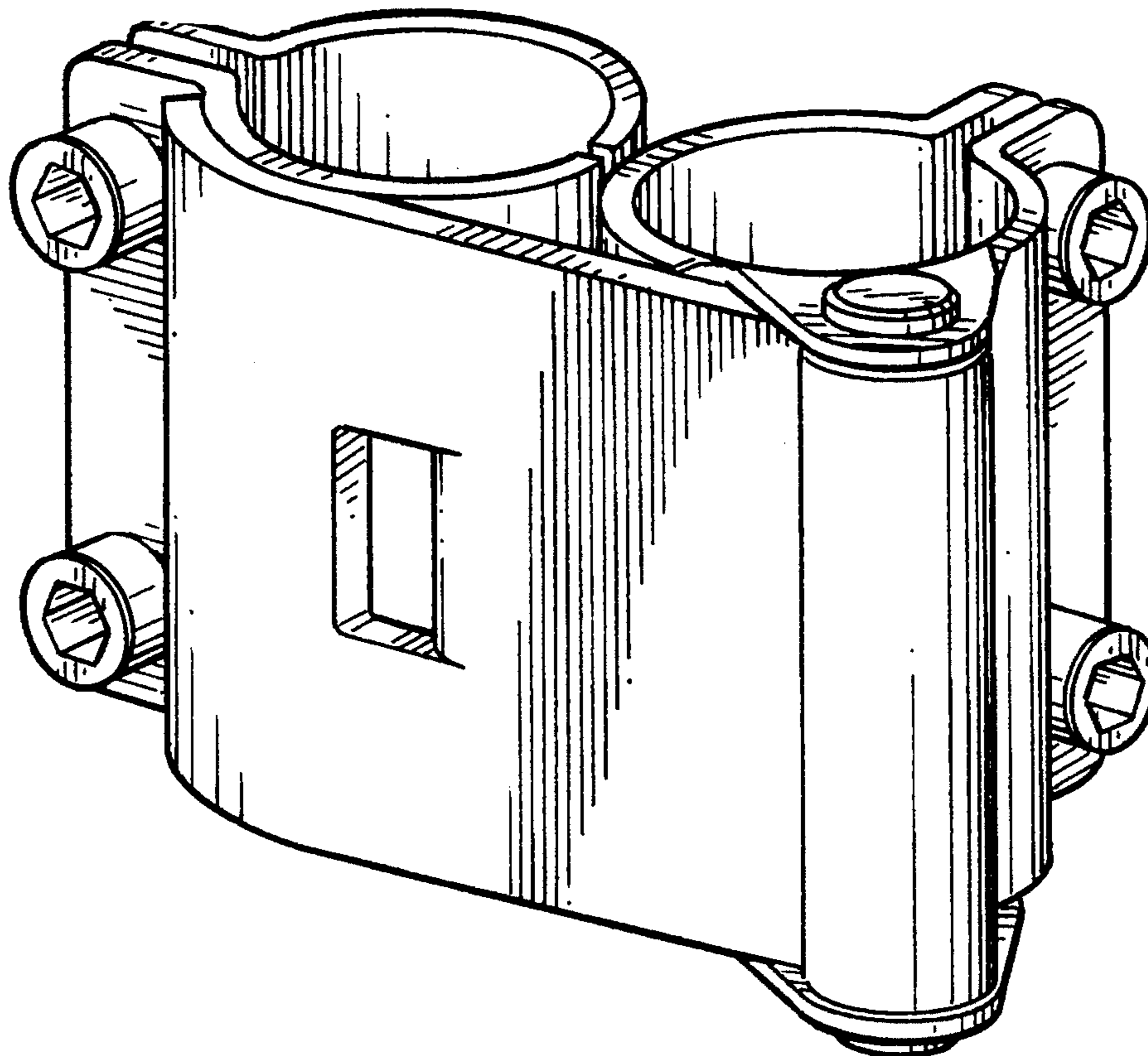
## [57] CLAIM

The ornamental design for a hinge for a door supported by pipes, as shown and described.

## DESCRIPTION

FIG. 1 is a perspective view of a hinge for a door supported by pipes showing my new design in a closed position; FIG. 2 is a perspective view shown in an open configuration; FIG. 3 is a front view thereof; FIG. 4 is a top plan view thereof; FIG. 5 is a sectional view along lines 5—5 of FIG. 3; FIG. 6 is a back view thereof; FIG. 7 is a bottom view thereof; FIG. 8 is a left side view thereof; FIG. 9 is a right side view thereof; FIG. 10 is a front view thereof when viewed in the fully opened position; and, FIG. 11 is a top plan when viewed fully opened.

**1 Claim, 4 Drawing Sheets**



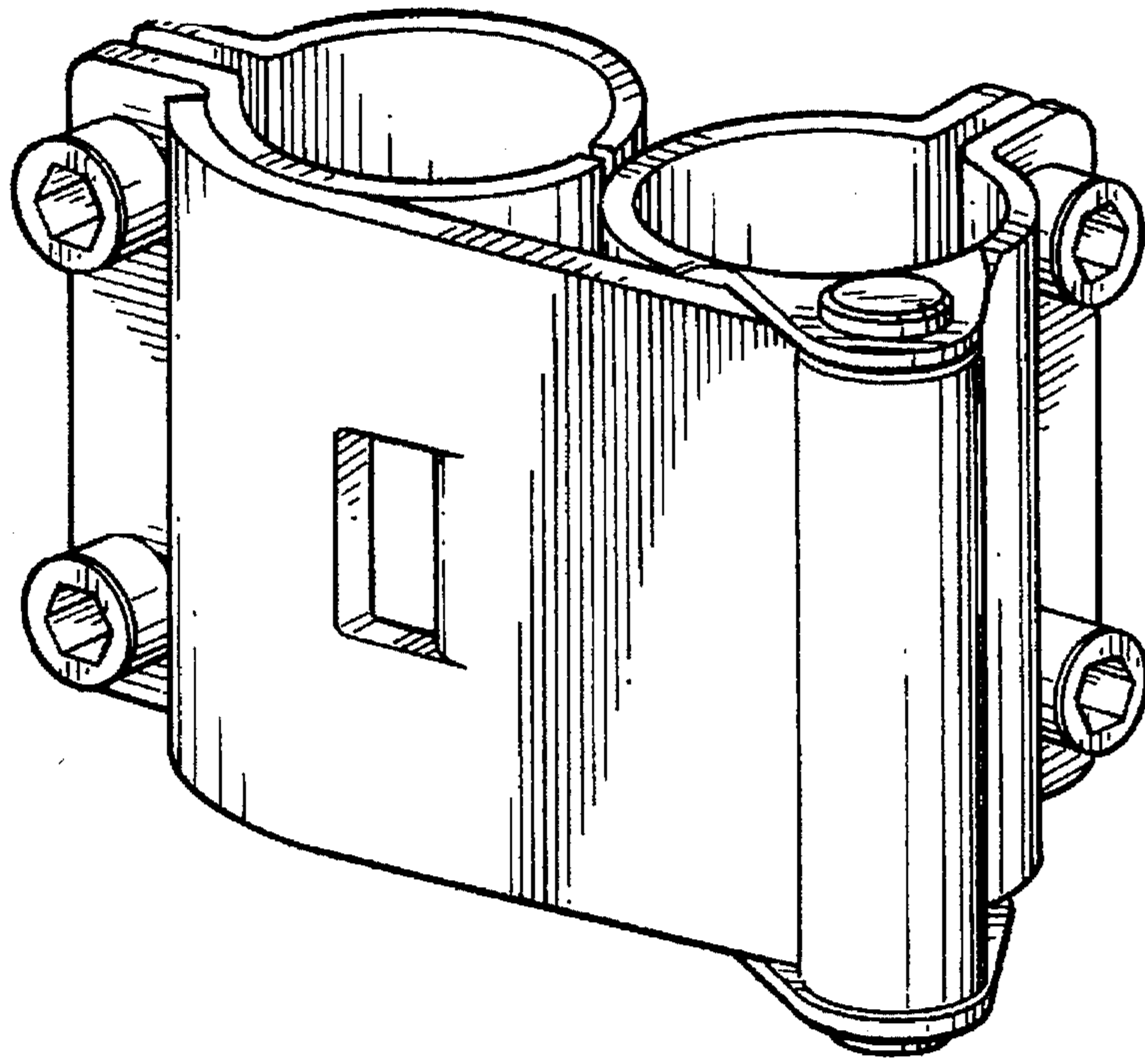


FIG. 1

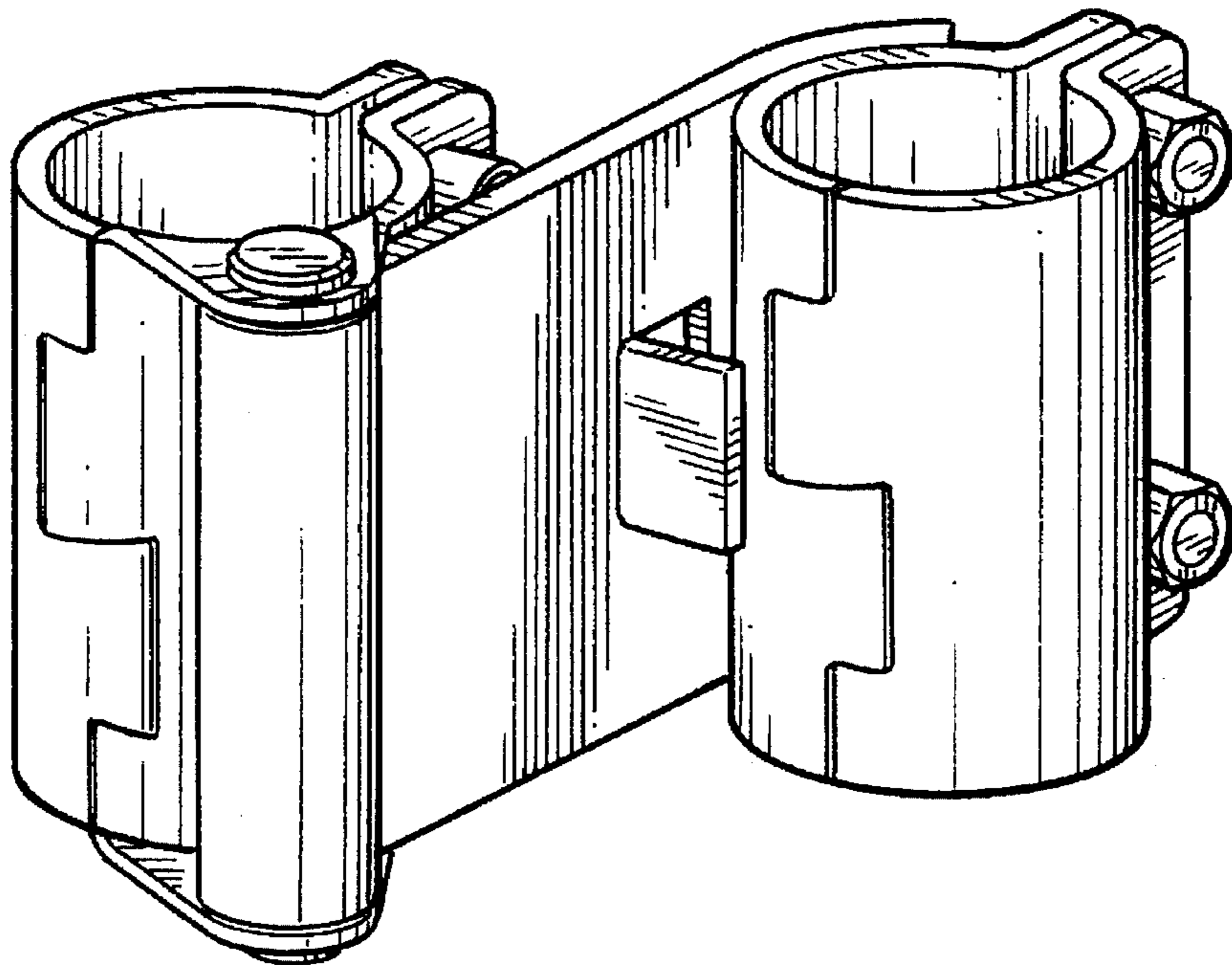


FIG. 2

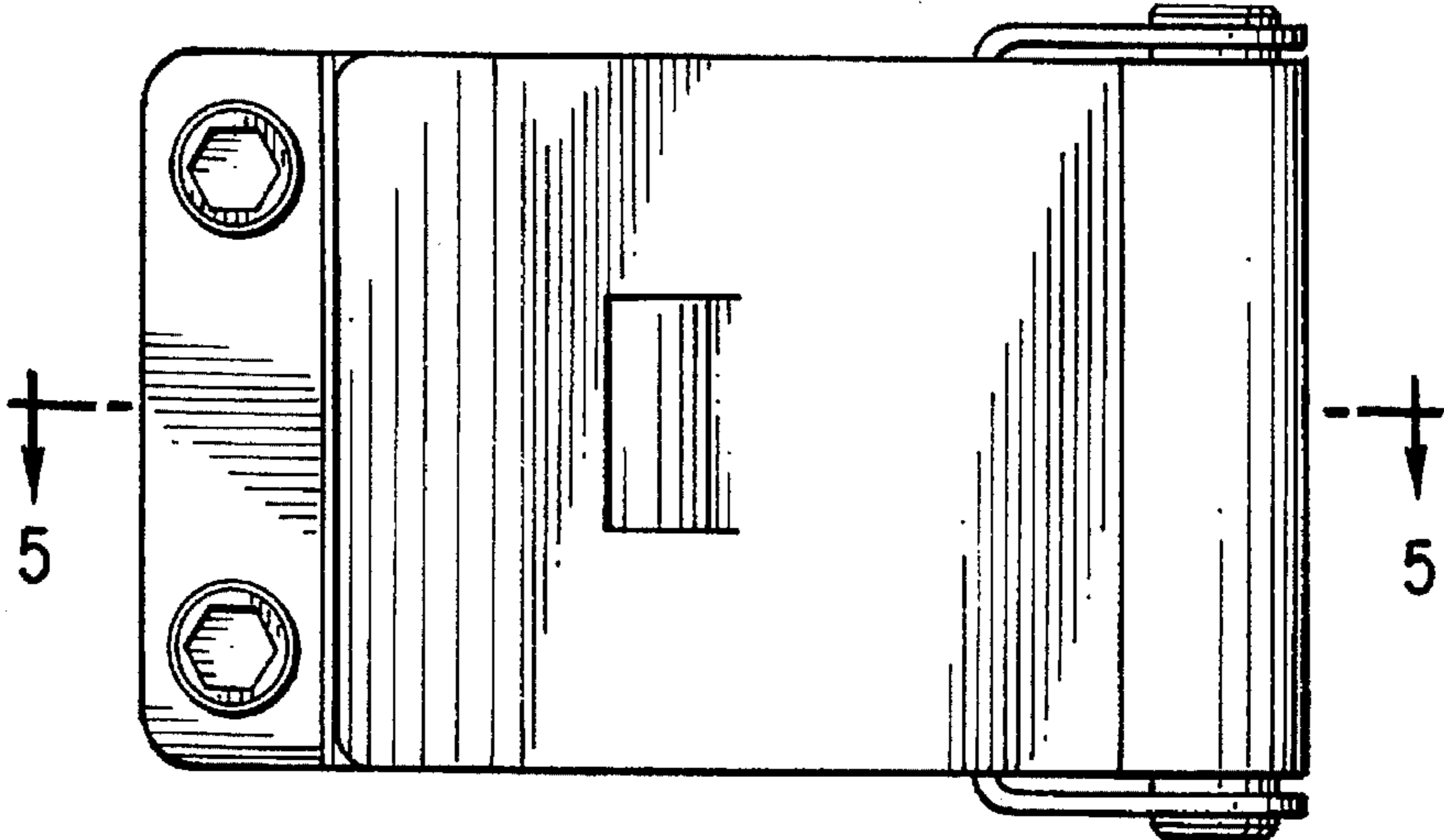


FIG. 3

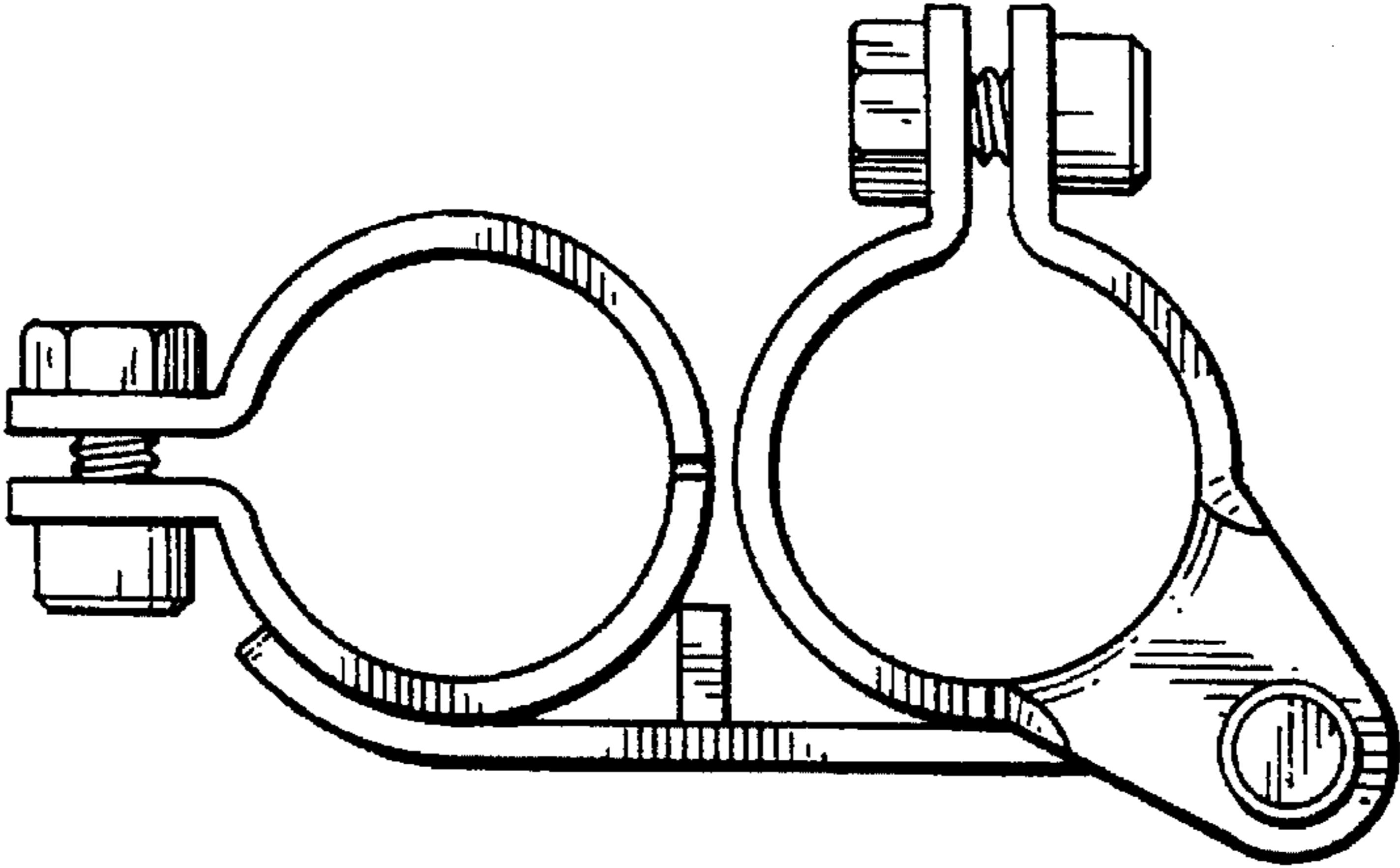


FIG. 4

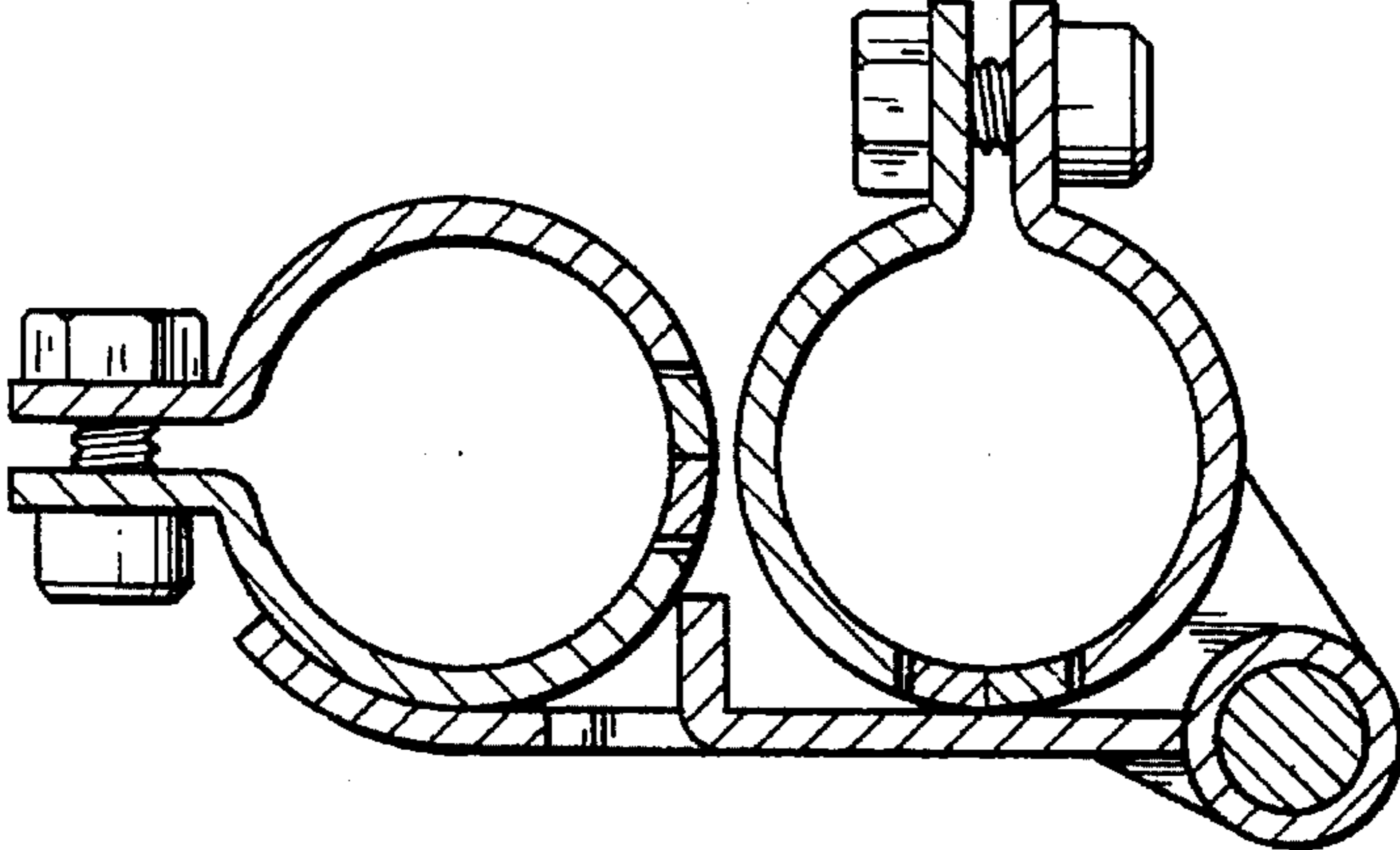


FIG. 5



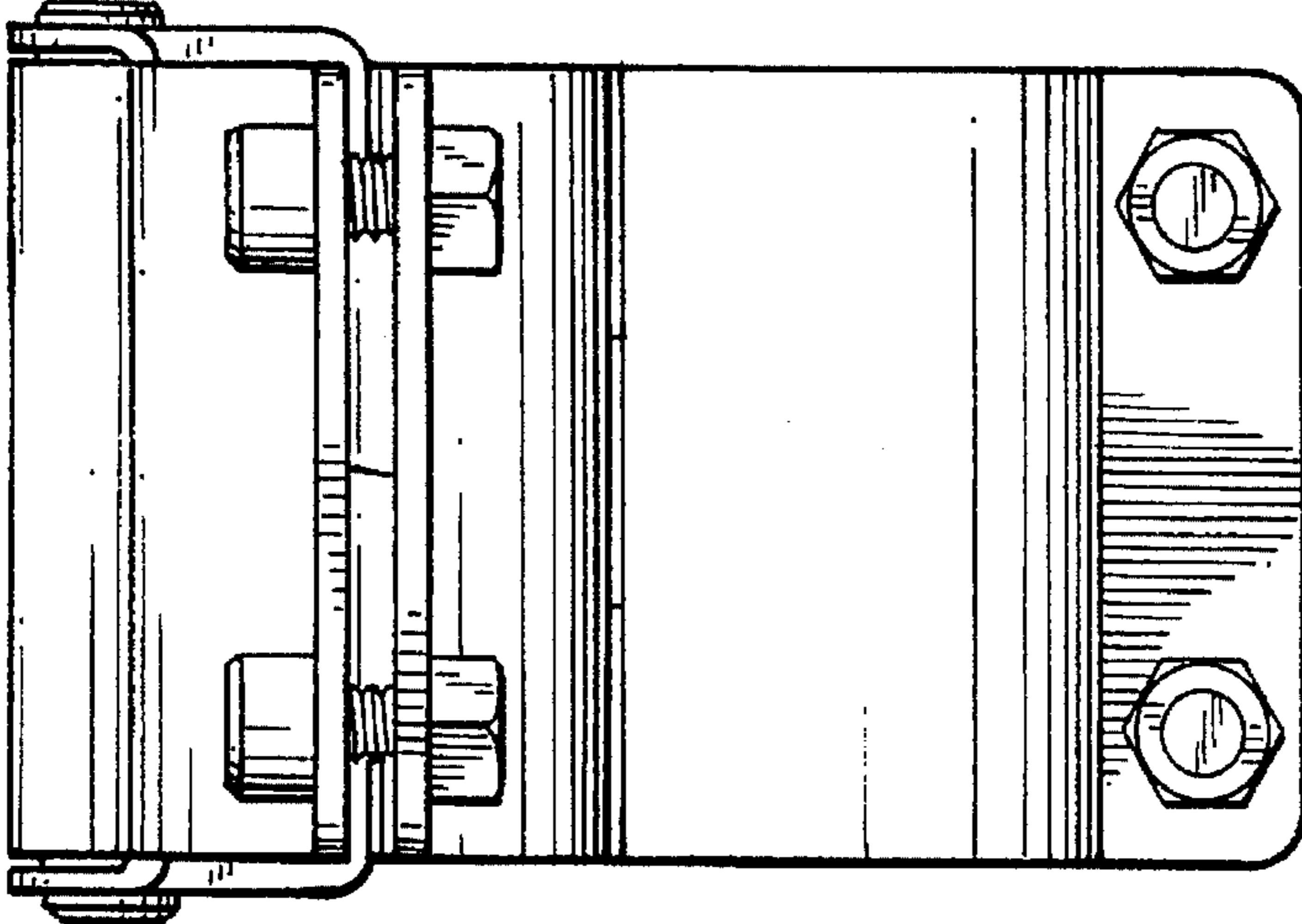


FIG. 6

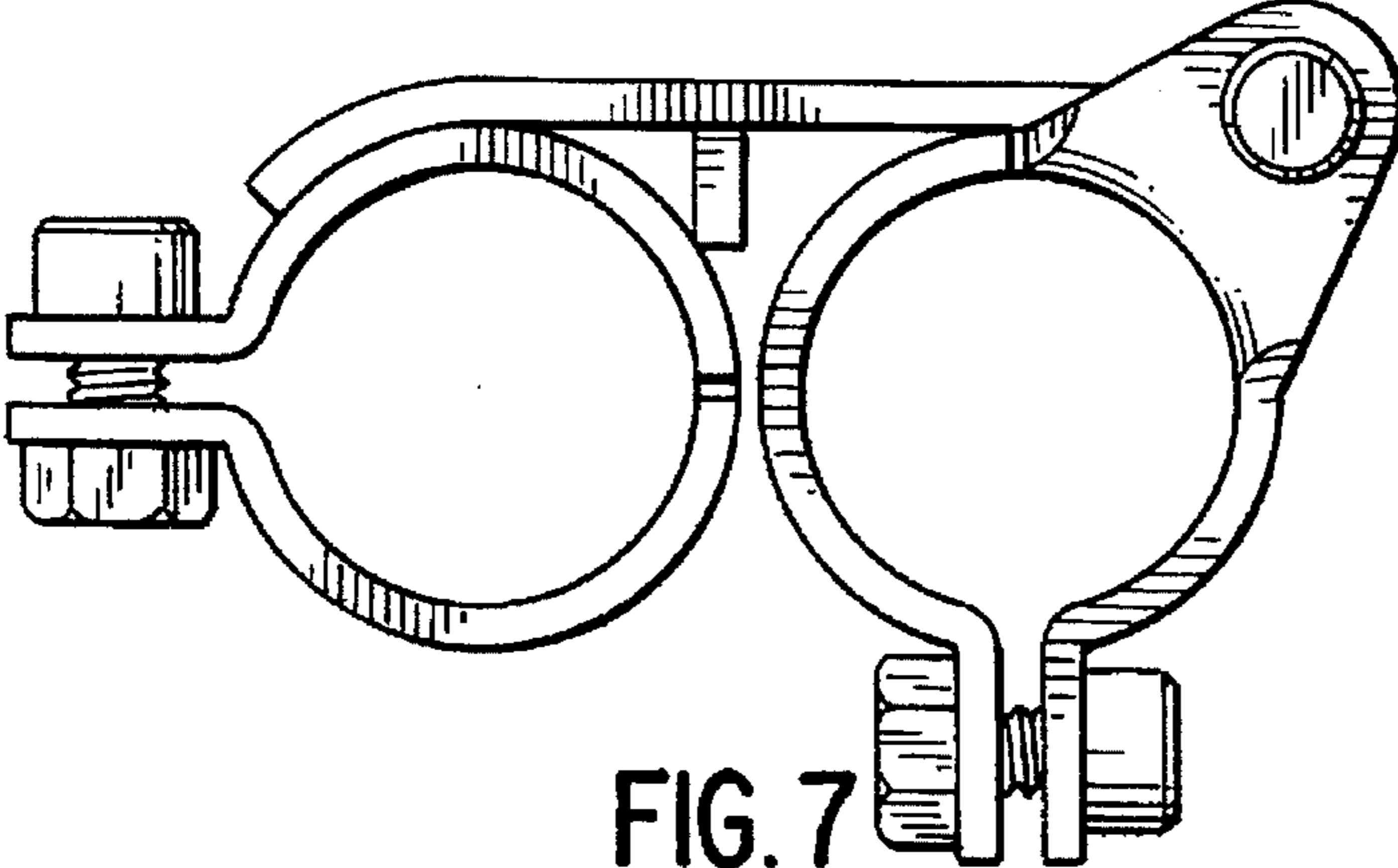


FIG. 7

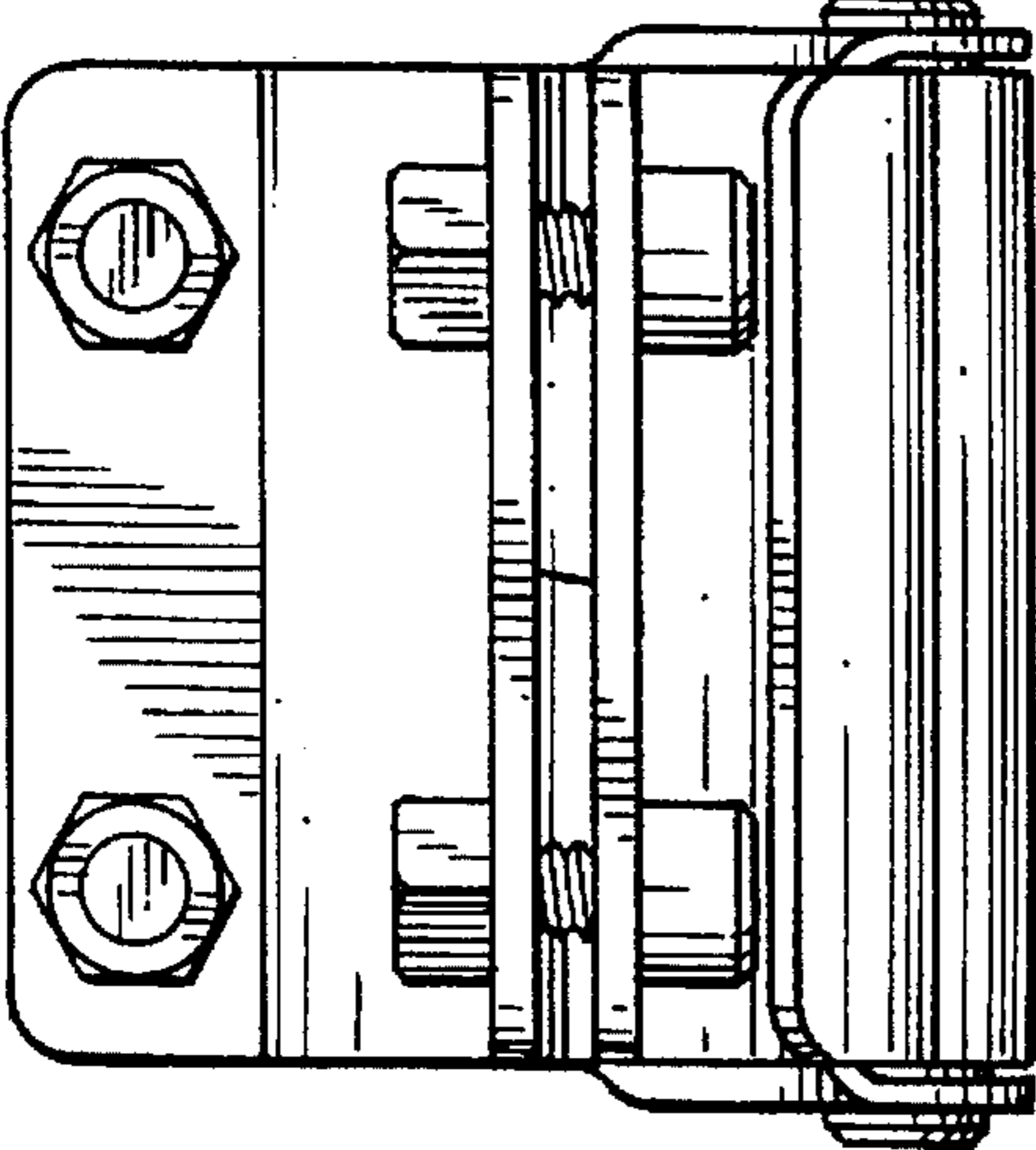


FIG. 8

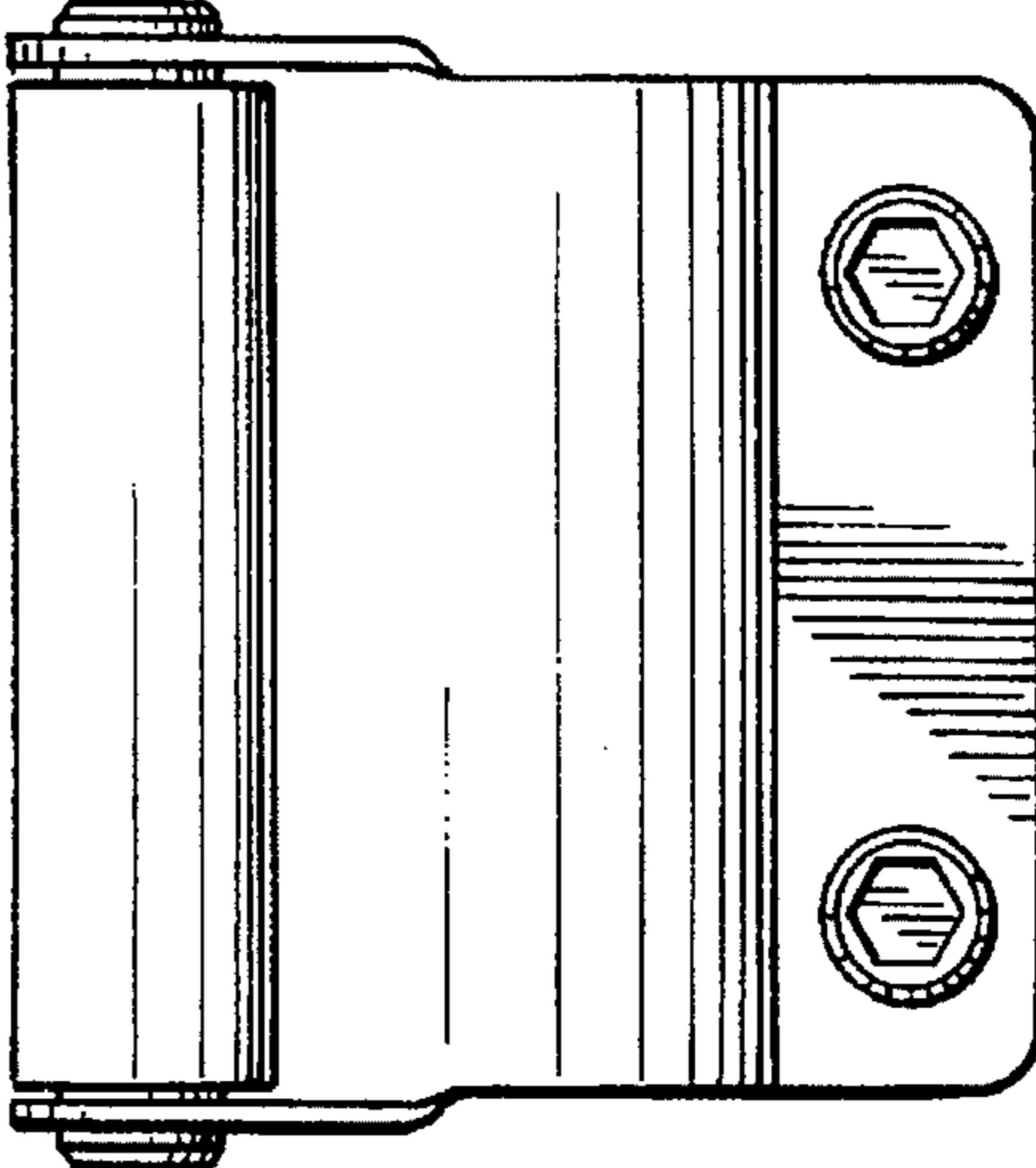


FIG. 9

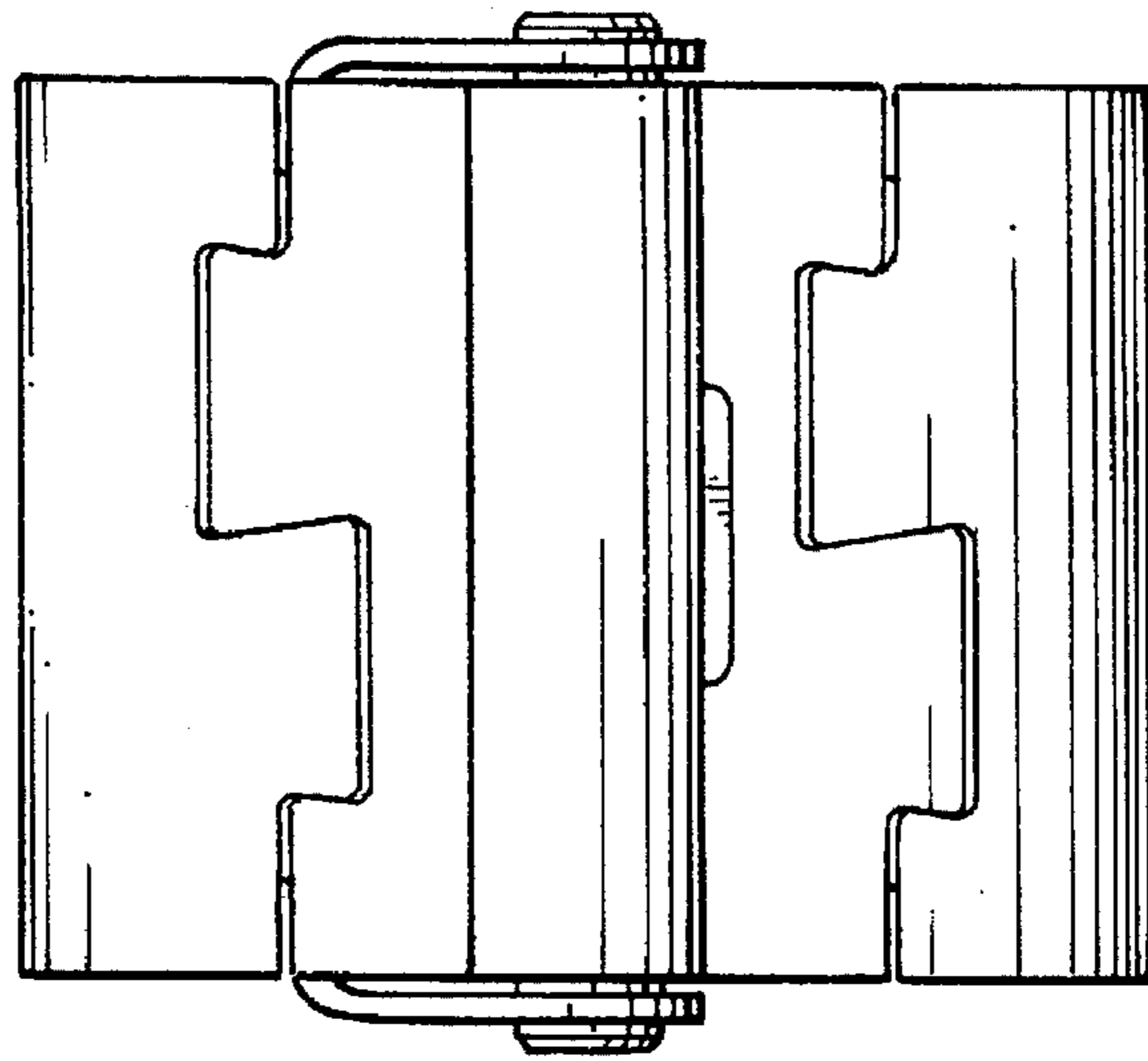


FIG. 10

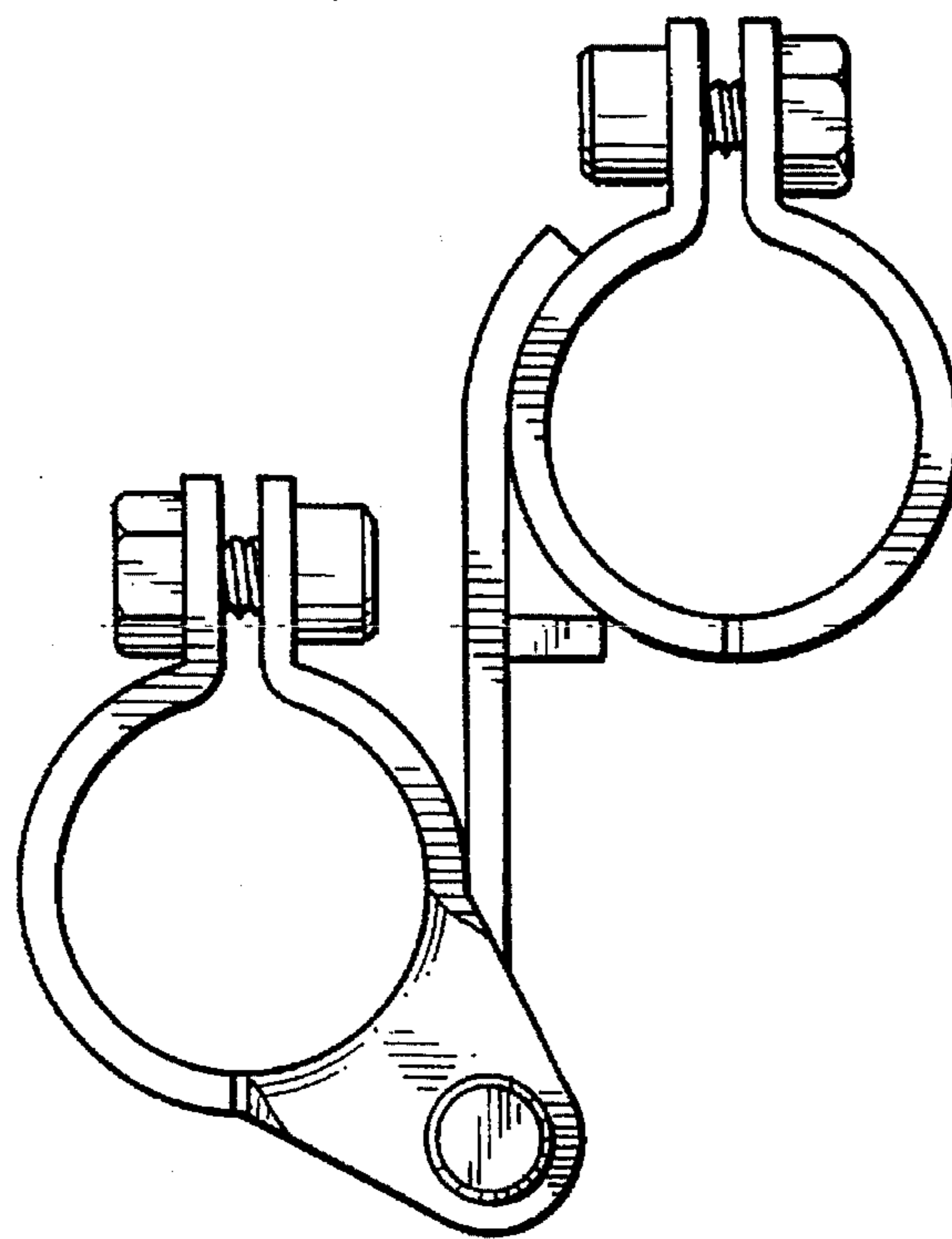


FIG. 11