



US00D379748S

United States Patent [19]

Reekie et al.

[11] Patent Number: Des. 379,748

[45] Date of Patent: **Jun. 10, 1997

[54] **STRING TRIMMER**

[75] Inventors: **George Reekie, North York; Jacob Prosper, Brockville, both of Canada**

[73] Assignee: **Black & Decker Inc., Newark, Del.**

[**] Term: **14 Years**

[21] Appl. No.: **30,023**

[22] Filed: **Oct. 20, 1994**

[51] **LOC (6) Cl. 08-01**

[52] **U.S. Cl. D8/8**

[58] **Field of Search D8/8; 56/12.7; 30/276**

4,052,789 10/1977 Ballas, Sr. .
 4,054,992 10/1977 Ballas et al. .
 4,089,114 5/1978 Doolittle et al. .
 4,118,865 10/1978 Jacyno et al. .
 4,124,938 11/1978 Ballas, Sr. .
 4,168,572 9/1979 Ewing .
 4,651,422 3/1987 Everts .
 4,707,919 11/1987 Tsuchiya .
 4,825,548 5/1989 Driggers .
 4,852,258 8/1989 Foster .

FOREIGN PATENT DOCUMENTS

2801847 7/1978 Germany .

OTHER PUBLICATIONS

Japanese Catalog, Sep. 20, 1987, cover page, weed trimmer, located at right of page.

Weed Eater brochure, Mar. 1986, page 2, electric trimmer, model no. 1208 located at right of page.

Black & Decker®, Lawn & Garden Product Catalog 1993-1994.

Primary Examiner—Holly H. Baynham
Attorney, Agent, or Firm—Harness, Dickey & Pierce, P.L.C.

[57] CLAIM

The ornamental design for a string trimmer, as shown.

DESCRIPTION

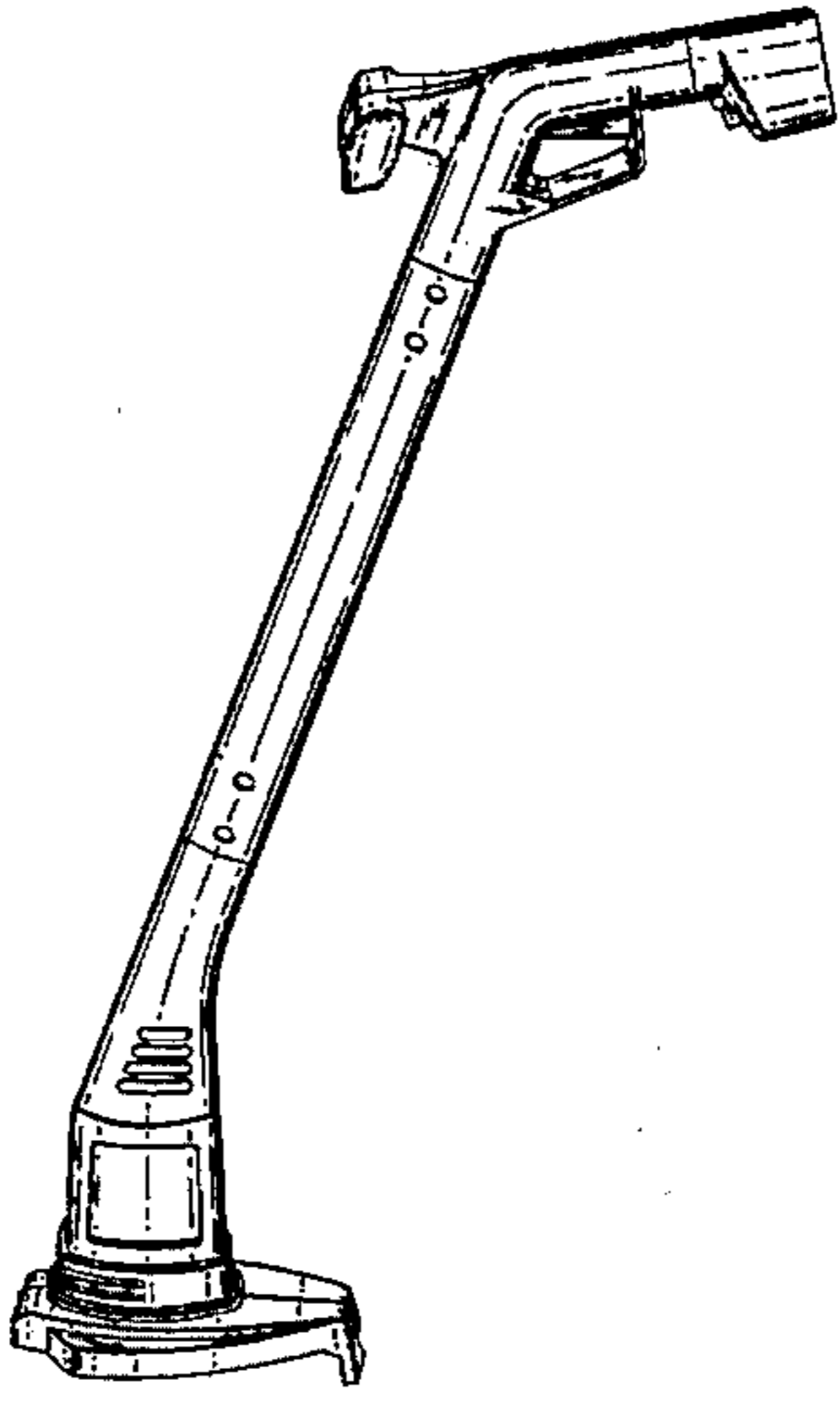
FIG. 1 is a left side perspective view of a string trimmer in accordance with present invention;
 FIG. 2 is a right rear perspective view of the string trimmer shown in FIG. 1;
 FIG. 3 is a right side view of the string trimmer shown in FIG. 1;
 FIG. 4 is a front view of the string trimmer shown in FIG. 1;
 FIG. 5 is a left side view of the string trimmer of FIG. 1;
 FIG. 6 is a rear view of the string trimmer of FIG. 1;
 FIG. 7 is a top view of the string trimmer of FIG. 1; and,
 FIG. 8 is a bottom view of the string trimmer of FIG. 1.
 The broken line showing of outlet prongs and of trimmer cutting assembly is for illustrative purposes only and forms no part of the claimed design.

1 Claim, 4 Drawing Sheets

[56] References Cited

U.S. PATENT DOCUMENTS

D. 249,630	9/1978	Ballas	D8/8
D. 249,771	10/1978	Irelan	D8/8
D. 250,450	12/1978	Tiedemann	D8/8
D. 251,699	5/1979	Averitt	D8/8
D. 251,956	5/1979	Averitt	D8/8
D. 251,957	5/1979	Averitt	D8/8
D. 251,958	5/1979	Averitt	D8/8
D. 251,959	5/1979	Averitt	D8/8
D. 251,960	5/1979	Averitt	D8/8
D. 251,961	5/1979	Averitt	D8/8
D. 253,086	10/1979	Hinklin et al.	D8/8
D. 255,764	7/1980	Lombard	D8/8
D. 301,009	5/1989	Pilatowicz et al.	D8/8
D. 301,961	7/1989	Narisue et al.	D8/8
D. 303,483	9/1989	Takahashi et al.	D8/8
D. 305,198	12/1989	White et al.	D8/8
D. 313,538	1/1991	Fushiya et al.	D8/8
D. 315,085	3/1991	Sepke et al.	D8/8
D. 317,852	7/1991	Fujiwara et al.	D8/8
D. 333,953	3/1993	Miyoshi et al.	D8/8
D. 336,223	6/1993	Miyamoto et al.	D8/8
D. 338,676	8/1993	Tuggle et al.	D8/8
D. 349,220	8/1994	Griffin	D8/8
D. 349,221	8/1994	Griffin	D8/8
D. 351,768	10/1994	Griffin	D8/8
D. 354,892	1/1995	Griffin	D8/8
3,831,278	8/1974	Voglesonger .	
4,047,299	9/1977	Bair .	



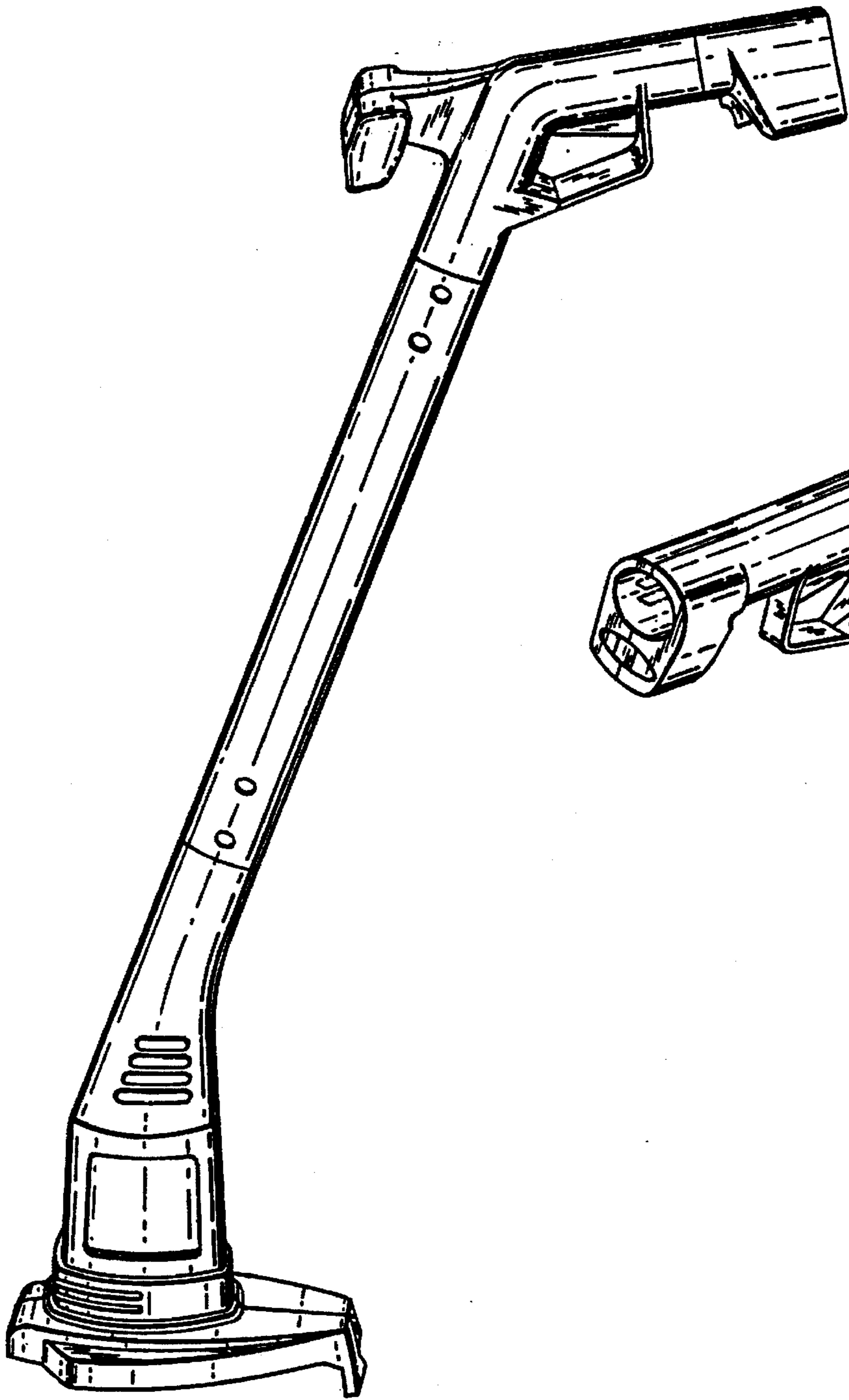


Fig. 1.

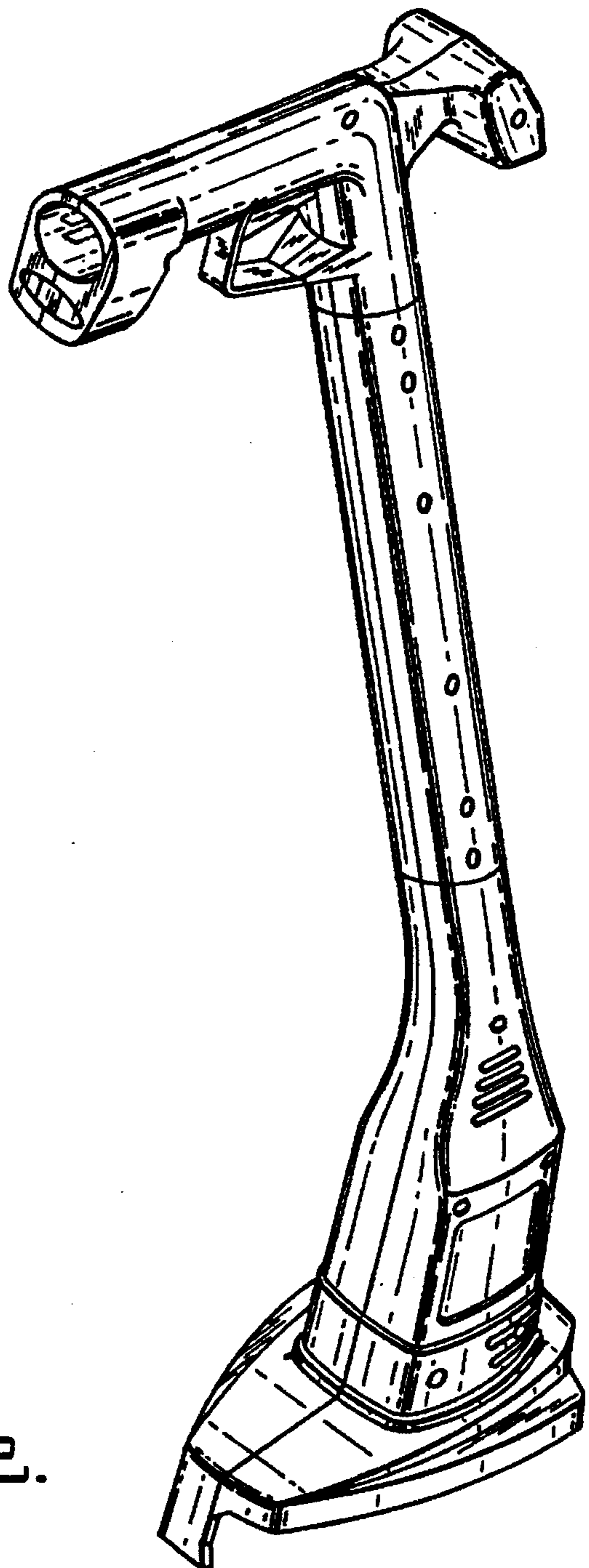


Fig. 2.

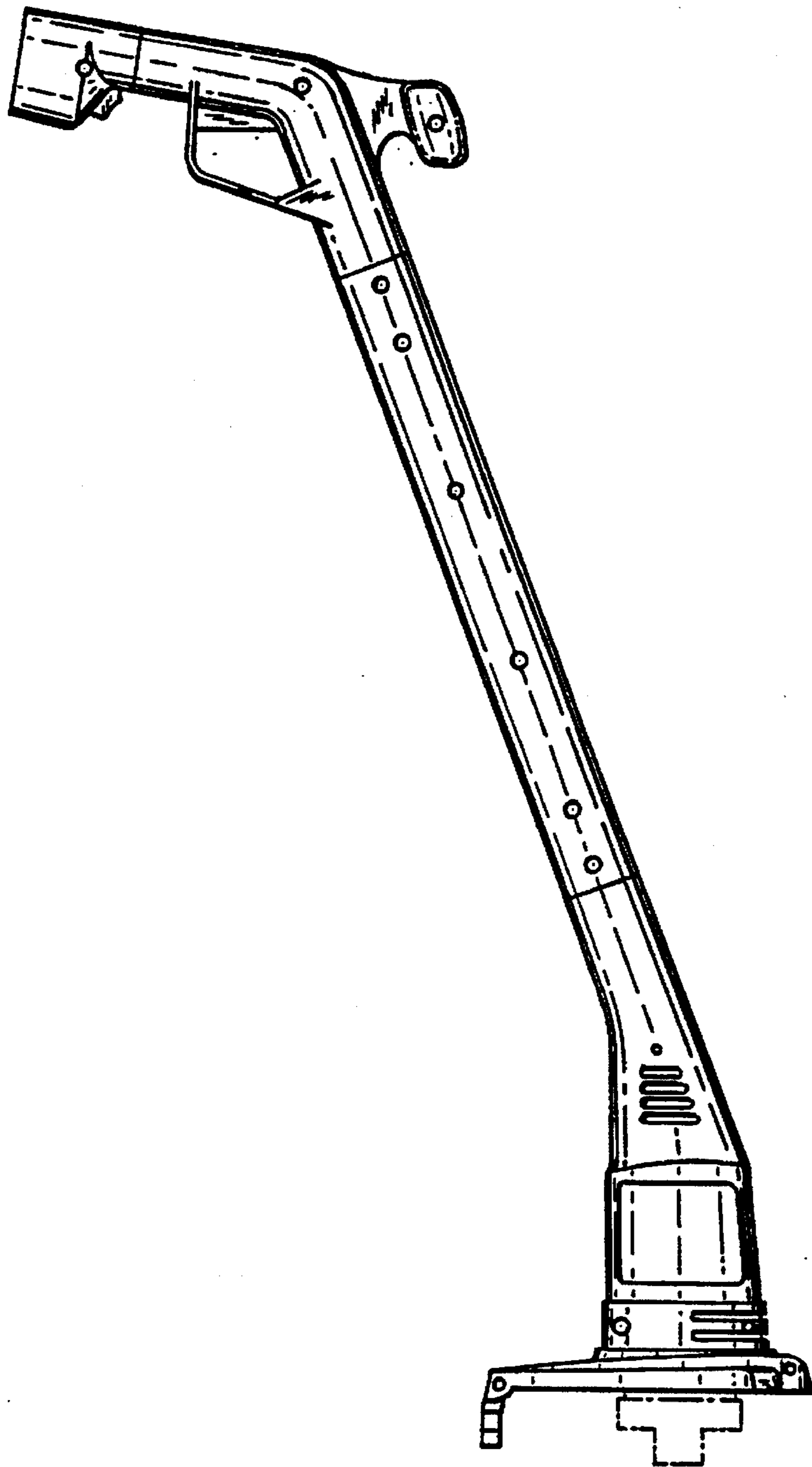


FIG. 3.

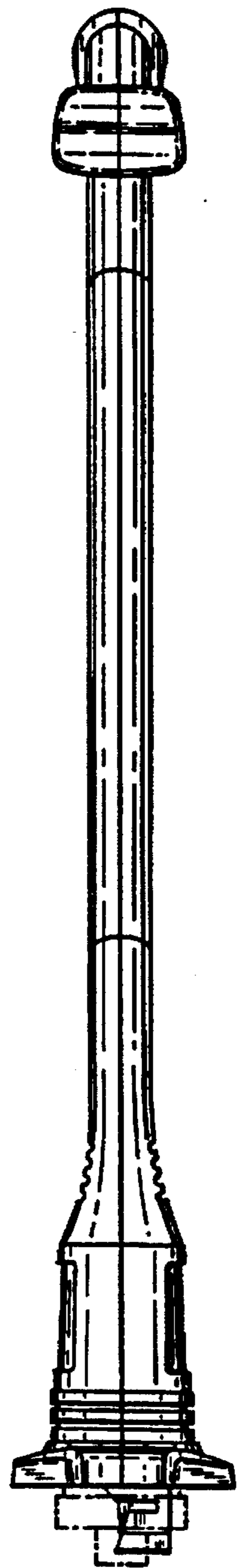
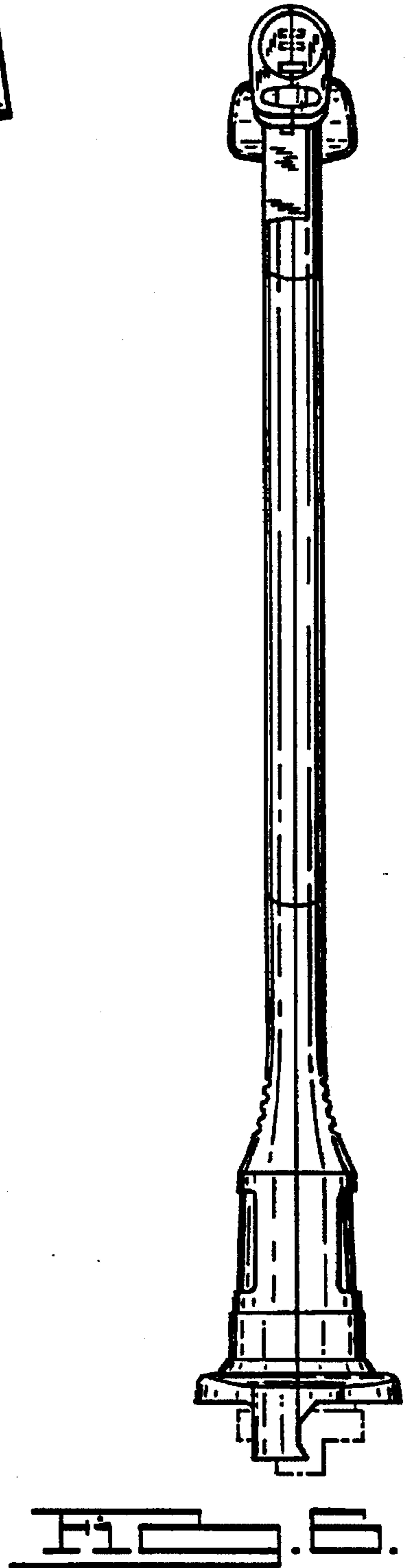
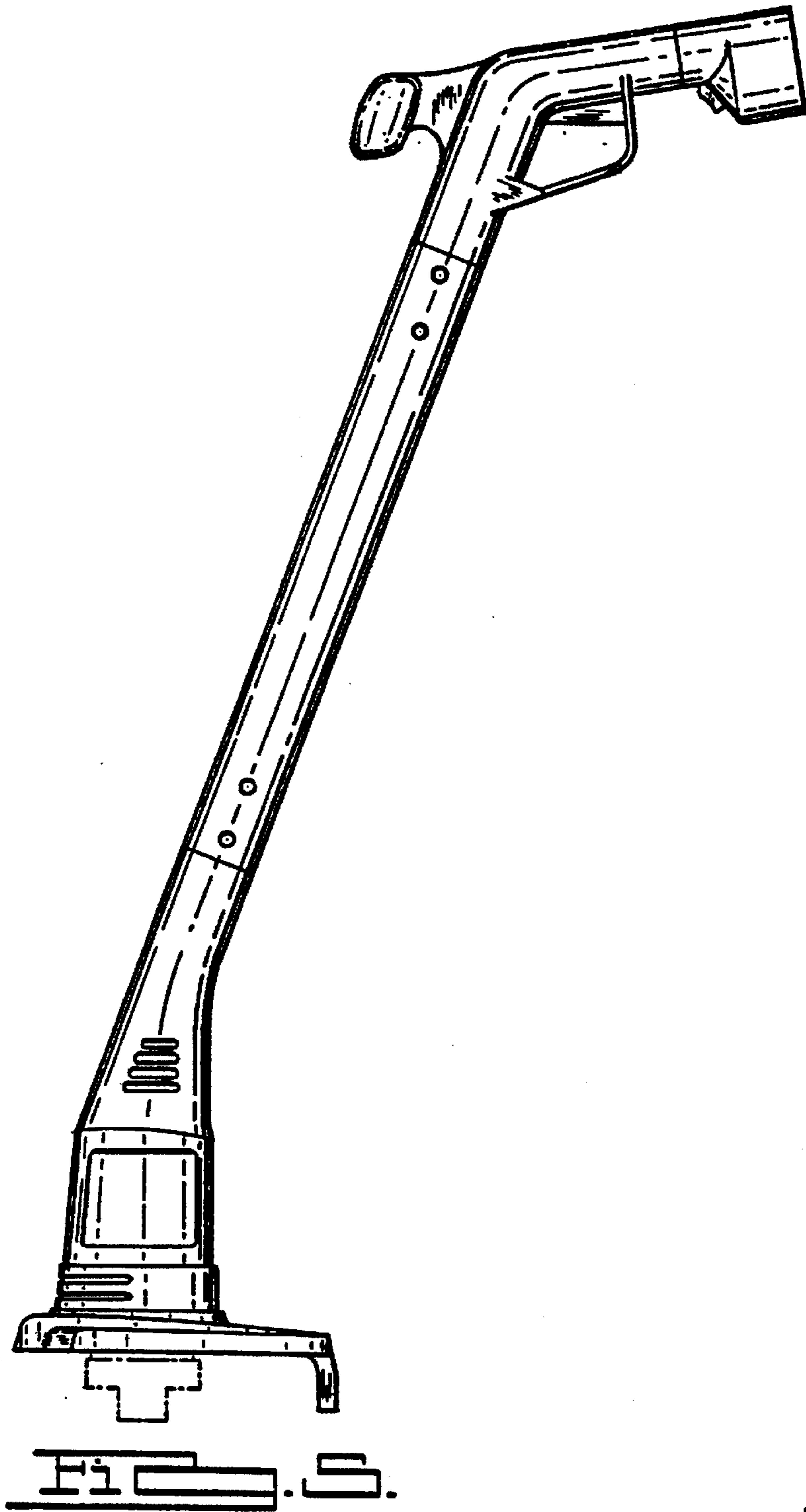


FIG. 4.



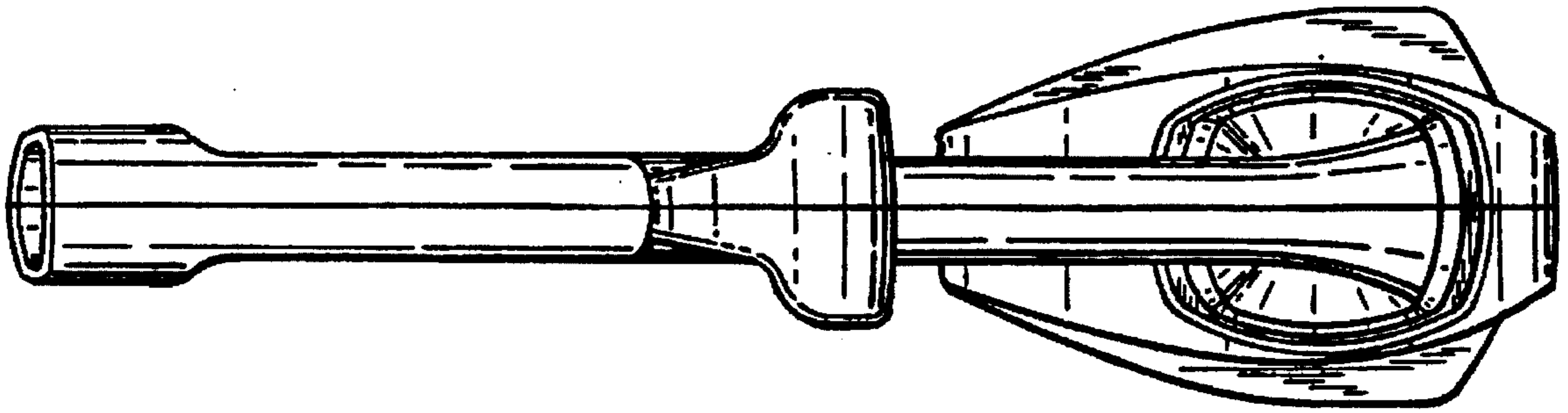


FIG. 2.

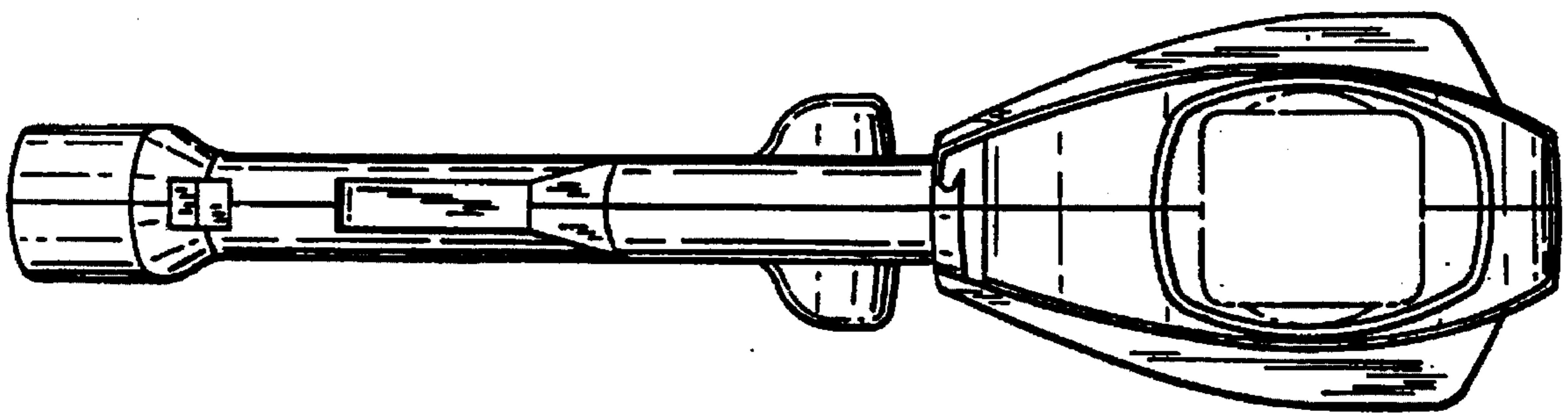


FIG. 3.