



US00D379745S

# United States Patent [19] So

[11] Patent Number: **Des. 379,745**

[45] Date of Patent: **\*\*Jun. 10, 1997**

[54] **SLICER**  
[75] Inventor: **Shun So, Kowloon, Hong Kong**  
[73] Assignee: **Ki Mee Kitchenware Limited, Kowloon, Hong Kong**  
[\*\*] Term: **14 Years**

5,075,973 12/1991 Börner ..... 83/856 X

*Primary Examiner*—Terry A. Wallace  
*Attorney, Agent, or Firm*—Rosen, Dainow & Jacobs, L.L.P.

[21] Appl. No.: **46,034**  
[22] Filed: **Nov. 6, 1995**  
[51] LOC (6) Cl. .... **07-04**  
[52] U.S. Cl. .... **D7/673; D7/381**  
[58] Field of Search ..... **D7/381, 673; 30/279.6; 83/669, 856, 857; 241/168, 169, 95, 100, 257.1, 273.1, 273.4**

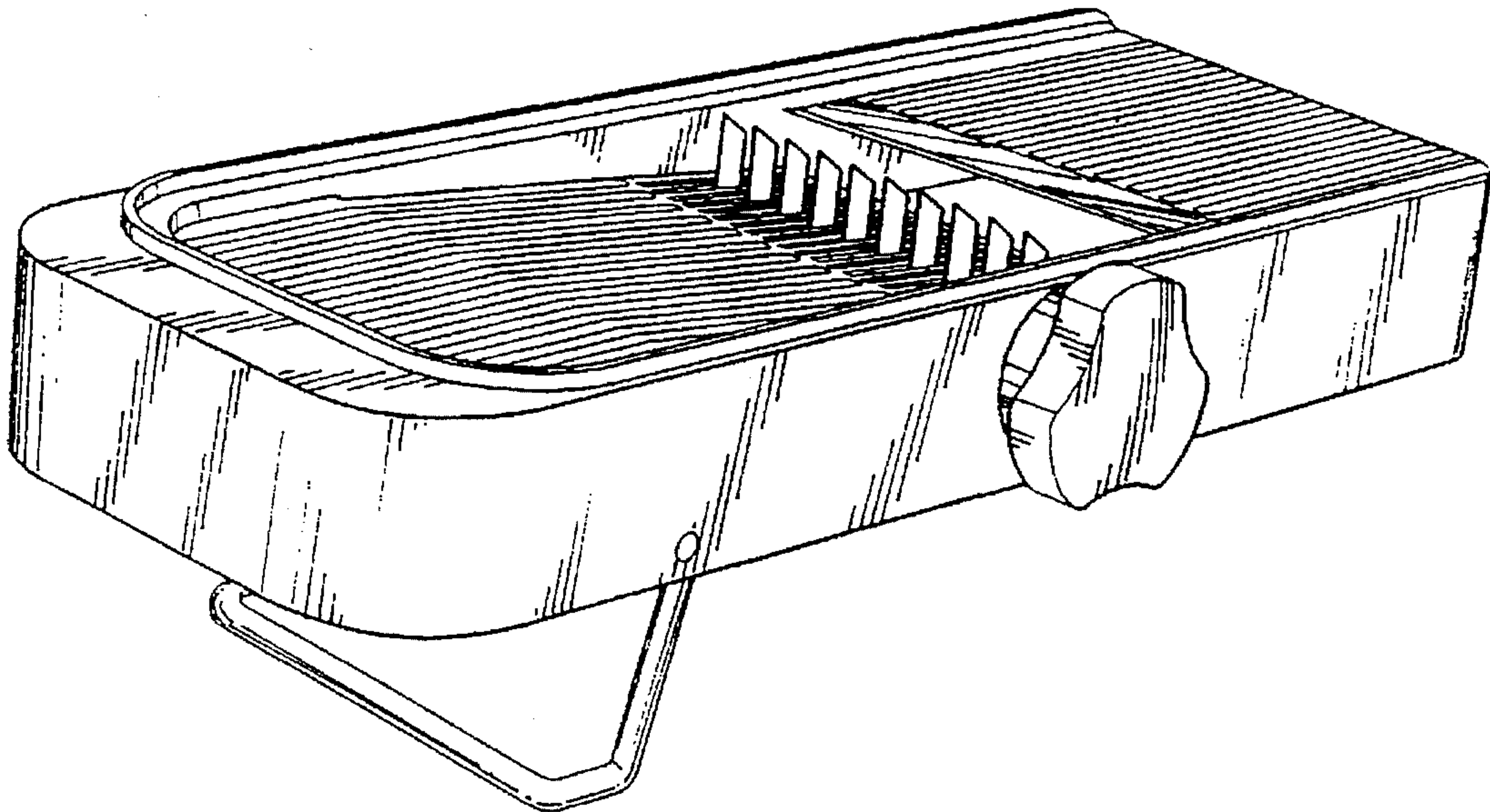
[57] **CLAIM**  
The ornamental design for a slicer, as shown and described.

### DESCRIPTION

FIG. 1 is a perspective view of a slicer showing my new design;  
FIG. 2 is a top plan view thereof;  
FIG. 3 is a right side elevation view thereof;  
FIG. 4 is a left side elevation view thereof;  
FIG. 5 is a bottom plan view thereof;  
FIG. 6 is a front elevation view thereof;  
FIG. 7 is a rear elevation view thereof;  
FIG. 8 is a perspective view thereof with the foot extended;  
FIG. 9 is a top plan view of FIG. 8; and,  
FIG. 10 is a side elevation view of FIG. 8.

[56] **References Cited**  
**U.S. PATENT DOCUMENTS**  
144,596 11/1873 Botsford ..... 83/856  
D. 336,214 6/1993 Boerner ..... D7/381

**1 Claim, 6 Drawing Sheets**



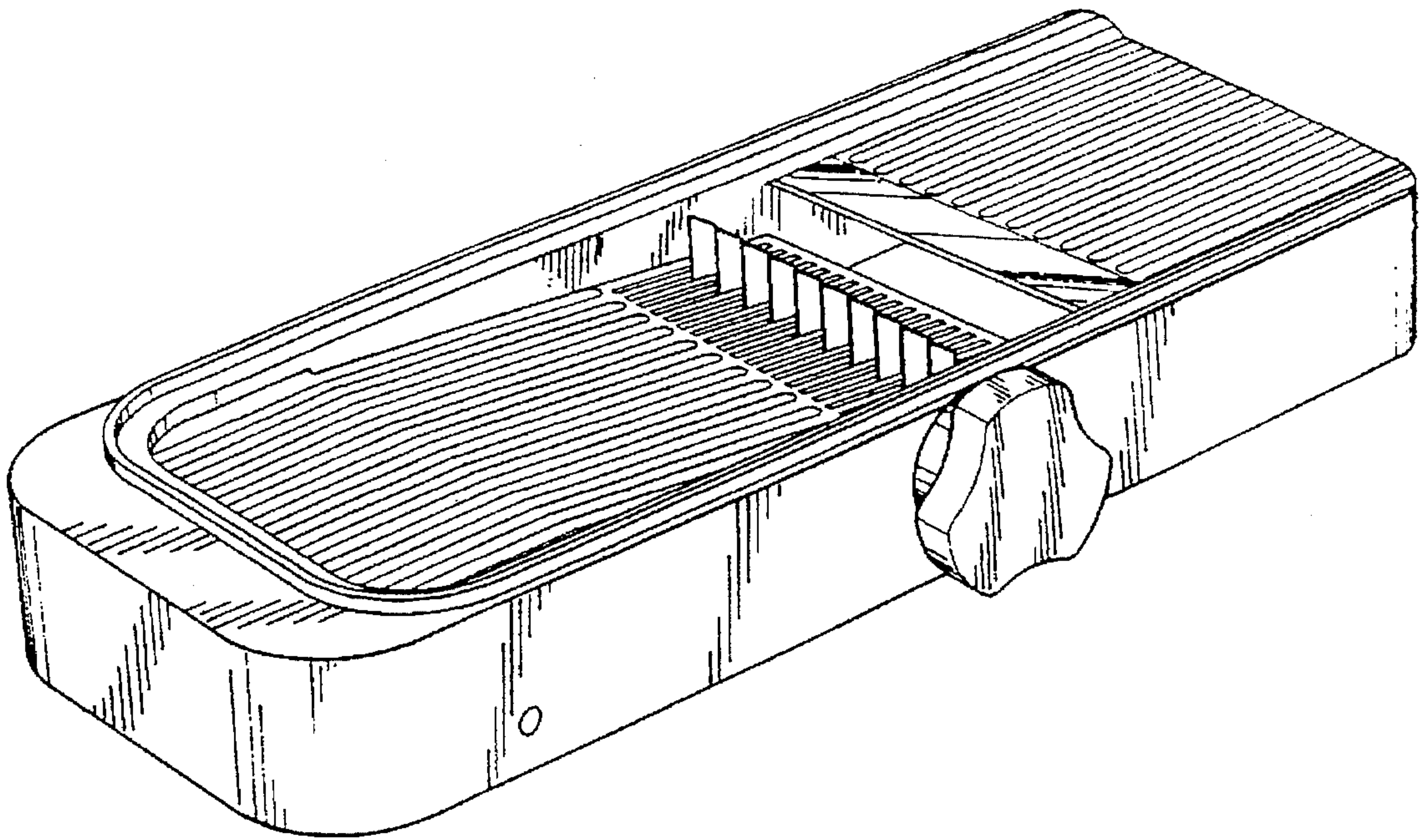


FIGURE 1

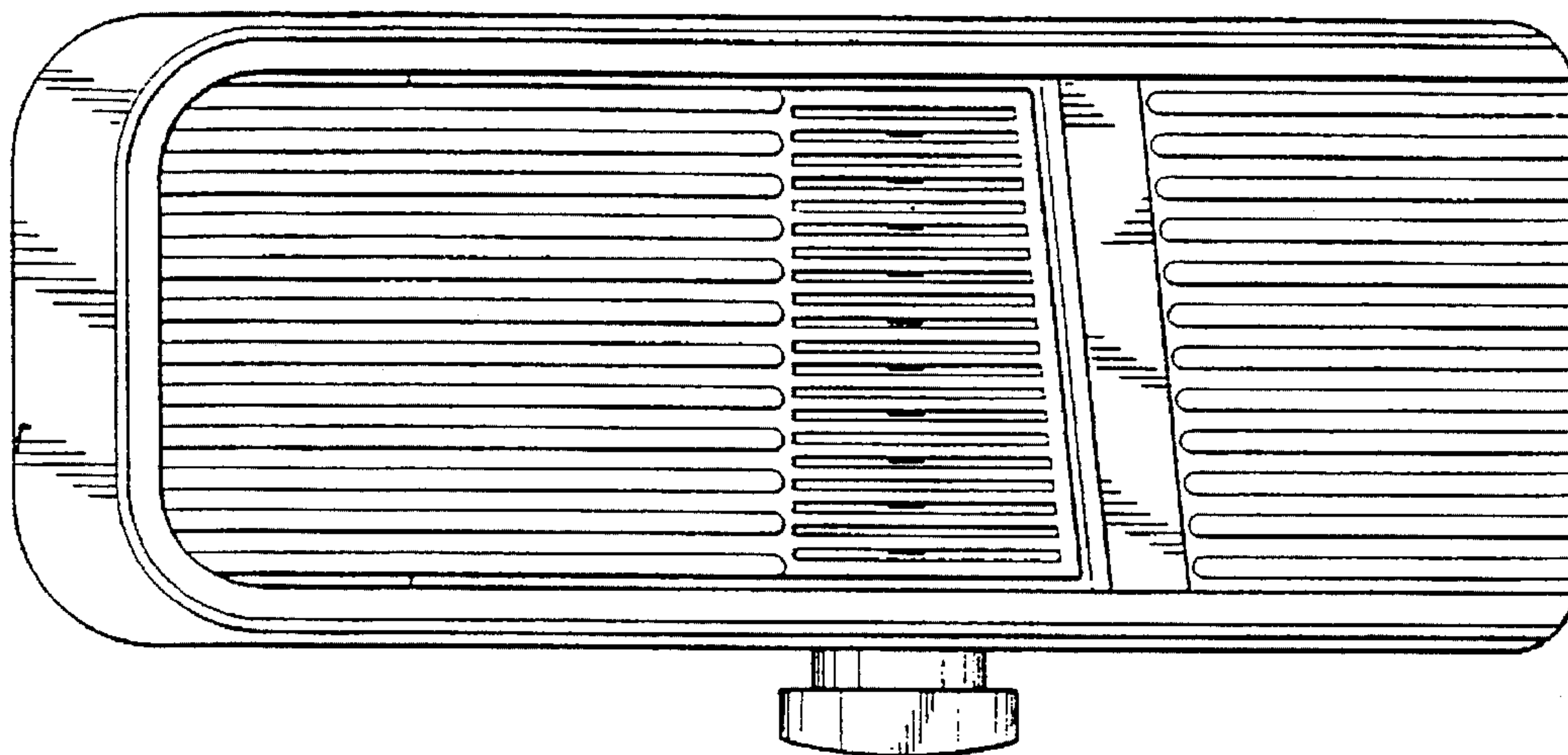


FIGURE 2

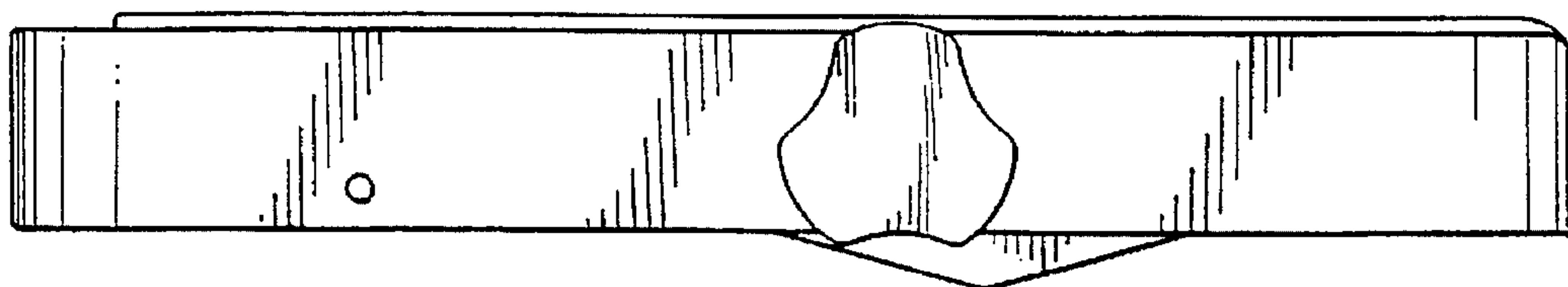


FIGURE 3

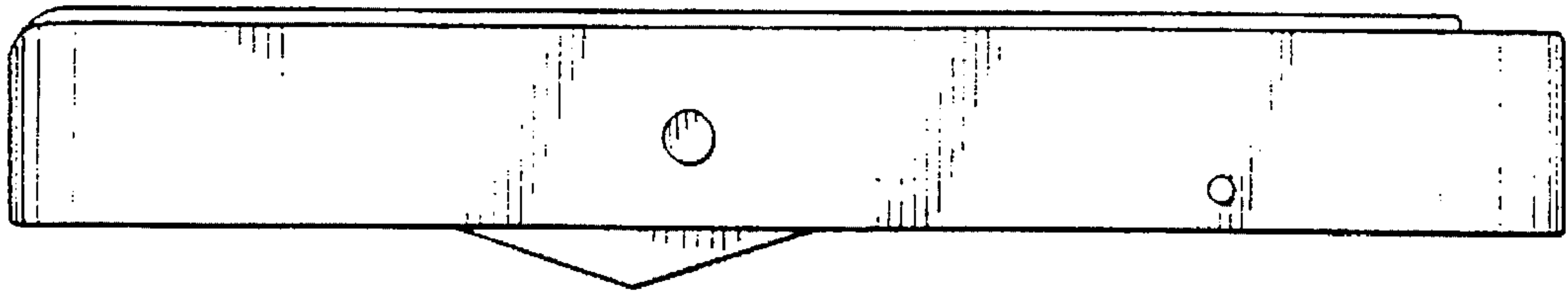


FIGURE 4

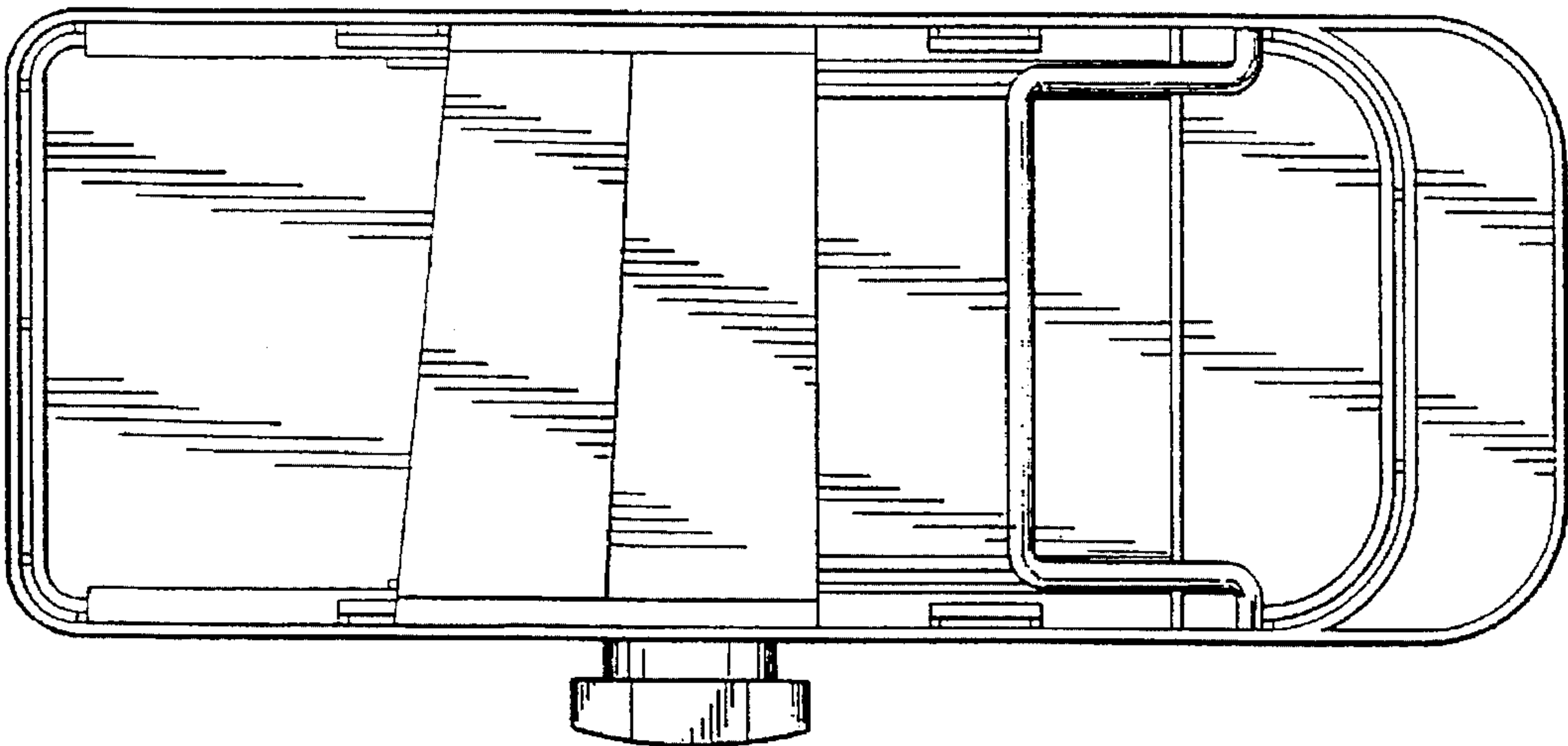


FIGURE 5



FIGURE 6

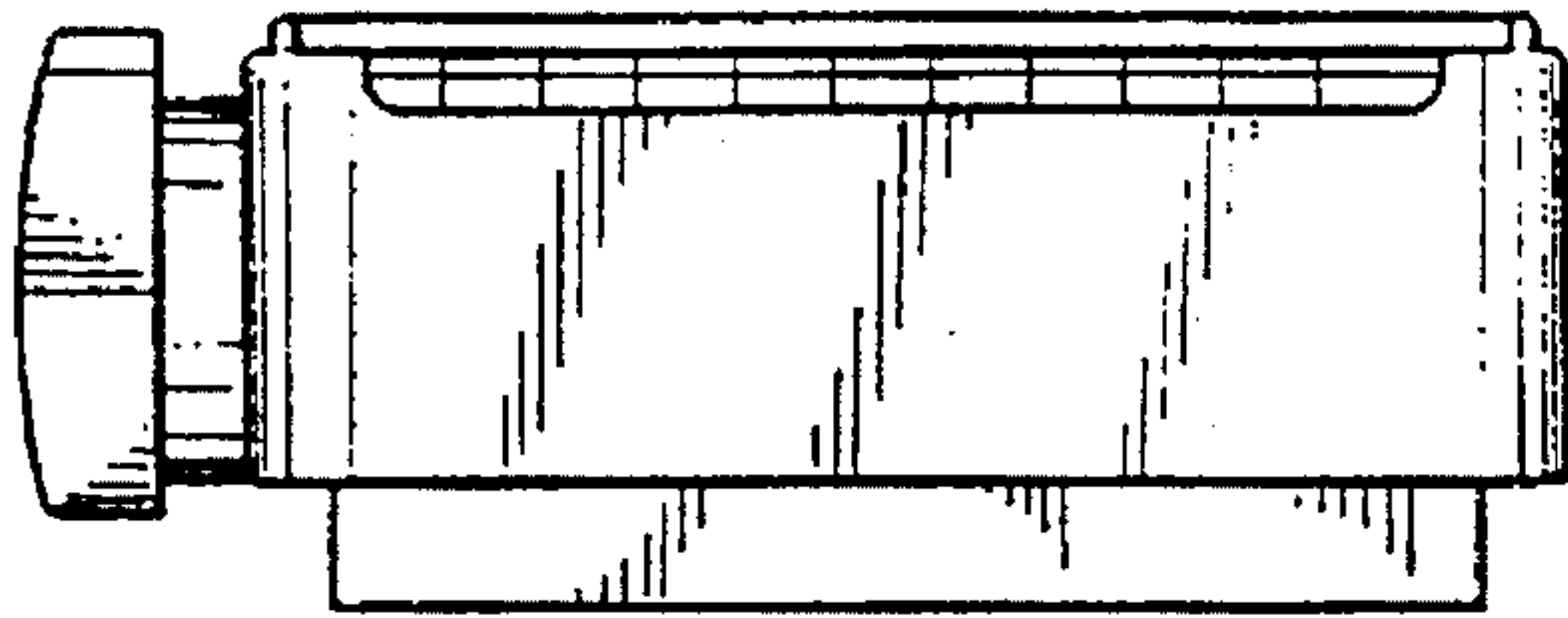


FIGURE 7



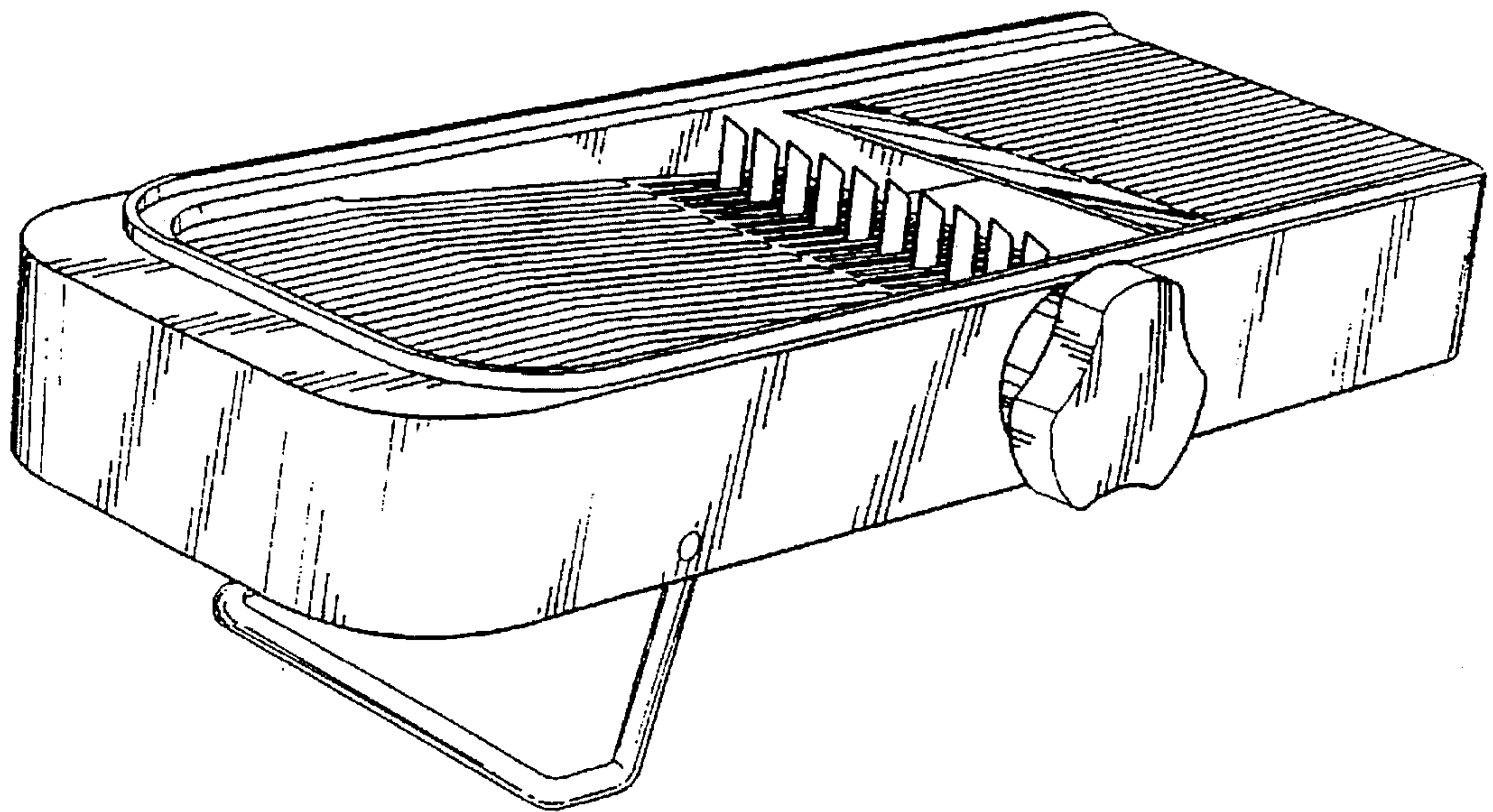


FIGURE 8

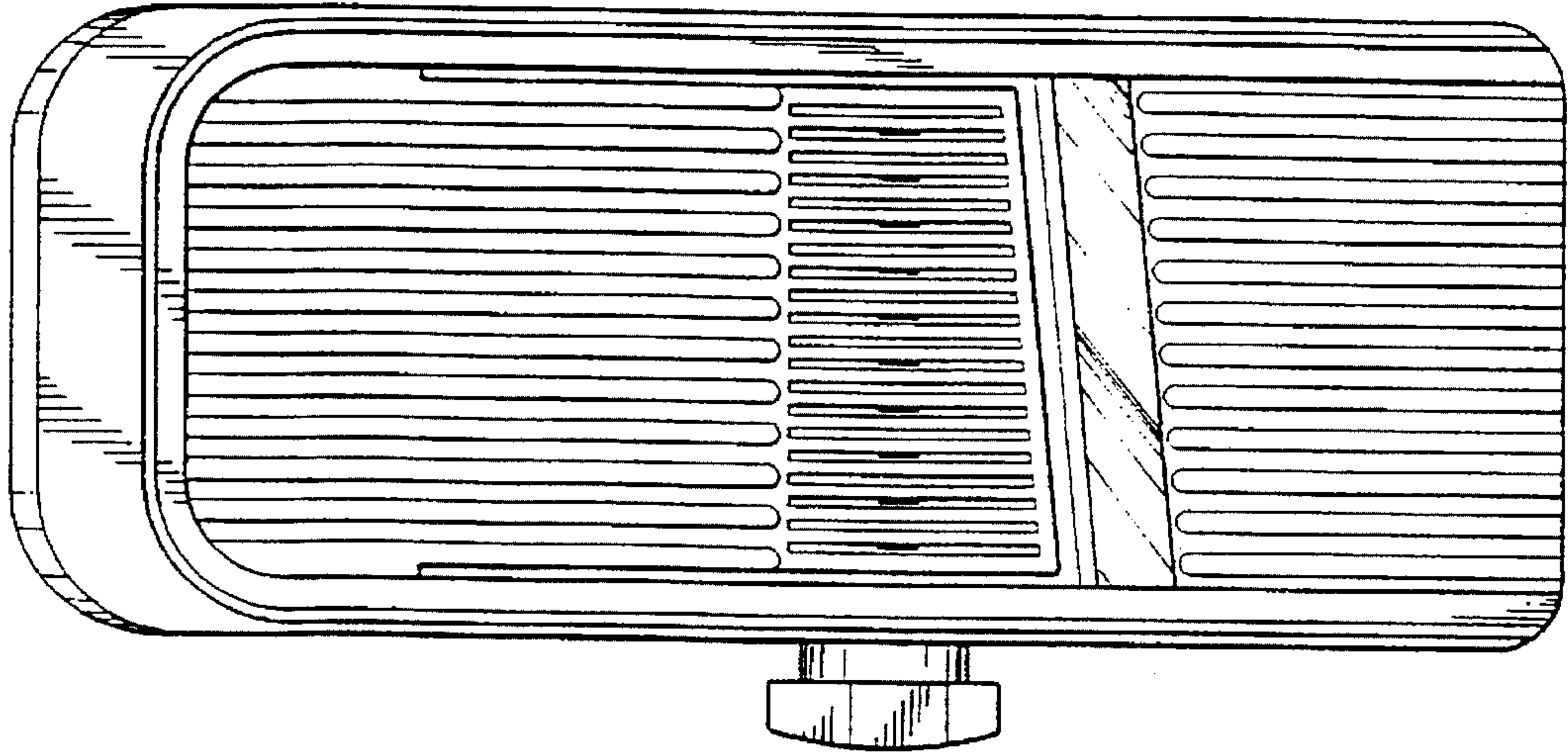


FIGURE 9

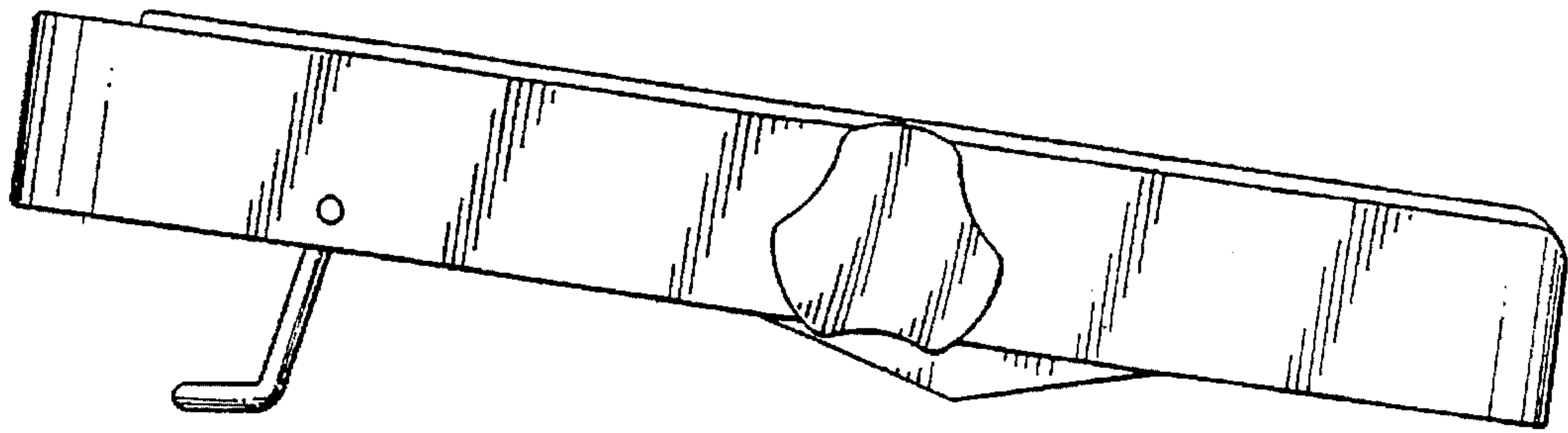


FIGURE 10