



US00D379744S

United States Patent [19] Thackray

[11] Patent Number: **Des. 379,744**

[45] Date of Patent: ****Jun. 10, 1997**

[54] **CITRUS PRESS**

D. 251,405	3/1979	Ackeizet	D7/665
1,933,738	11/1933	Kazoian	99/502
2,130,755	9/1938	Gednetz	99/505

[75] Inventor: **Donald Thackray**, Groningen, Netherlands

[73] Assignee: **U.S Phillips Corporation**, New York, N.Y.

[**] Term: **14 Years**

Primary Examiner—Terry A. Wallace
Attorney, Agent, or Firm—Ernestine C. Bartlett

[21] Appl. No.: **52,600**

[22] Filed: **Apr. 4, 1996**

[57] CLAIM

The ornamental design for a citrus press, as shown.

[30] Foreign Application Priority Data

Dec. 18, 1995 [CH] Switzerland DMA/003178

DESCRIPTION

[51] **LOC (6) Cl.** **07-04**

[52] **U.S. Cl.** **D7/665**

[58] **Field of Search** D7/665, 666; 99/495, 99/501-508; 100/213; D10/46.2, 46.3

FIG. 1 is a front, top, right side, perspective view of a citrus press showing my new design;

FIG. 2 is a front elevational view thereof;

FIG. 3 is a rear elevational view thereof;

FIG. 4 is a right side elevational view thereof;

FIG. 5 is a left side elevational view thereof;

FIG. 6 is a top plan view thereof; and,

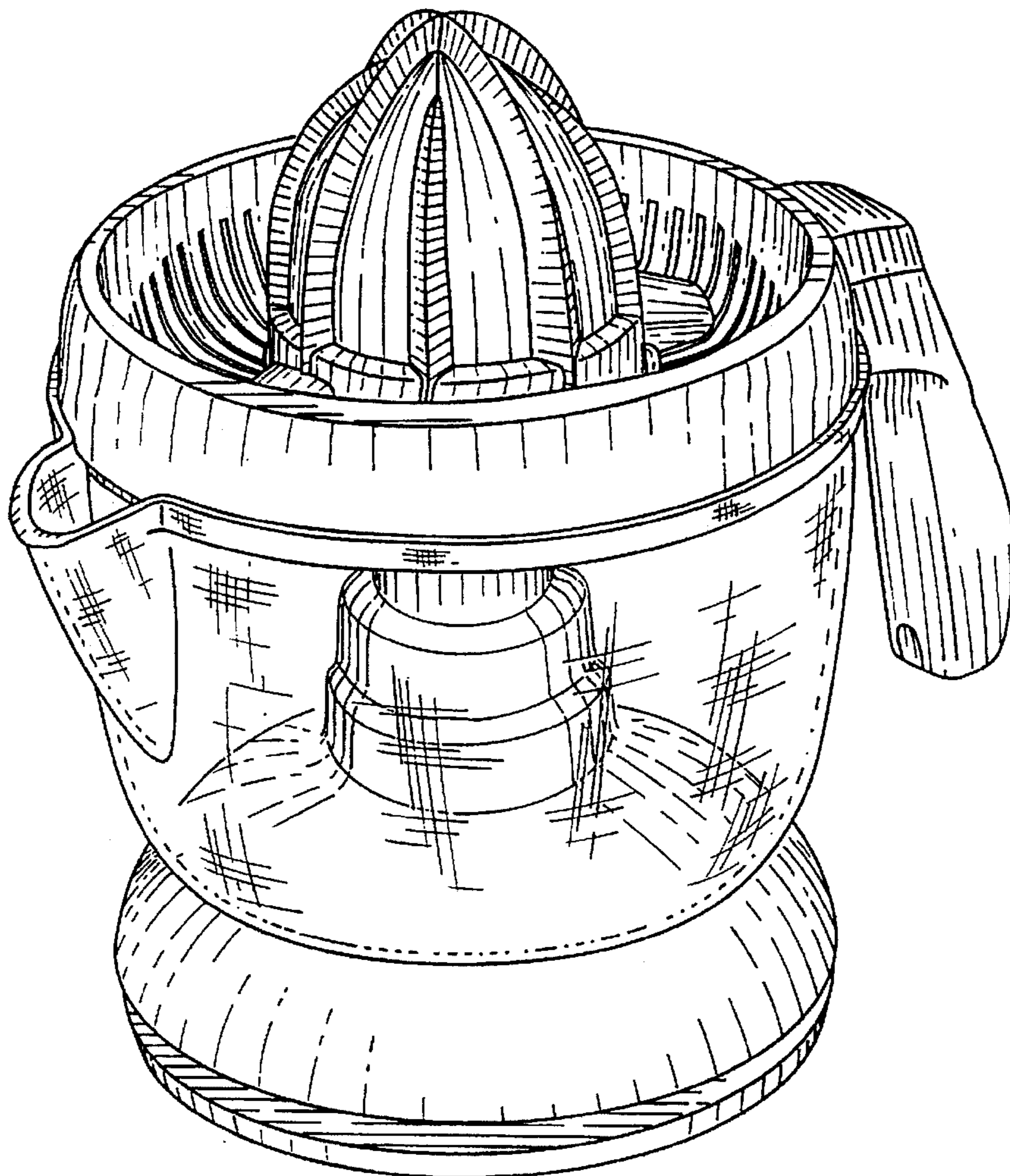
FIG. 7 is a bottom plan view thereof.

[56] References Cited

U.S. PATENT DOCUMENTS

D. 69,603 3/1926 Loomis D7/665

1 Claim, 7 Drawing Sheets



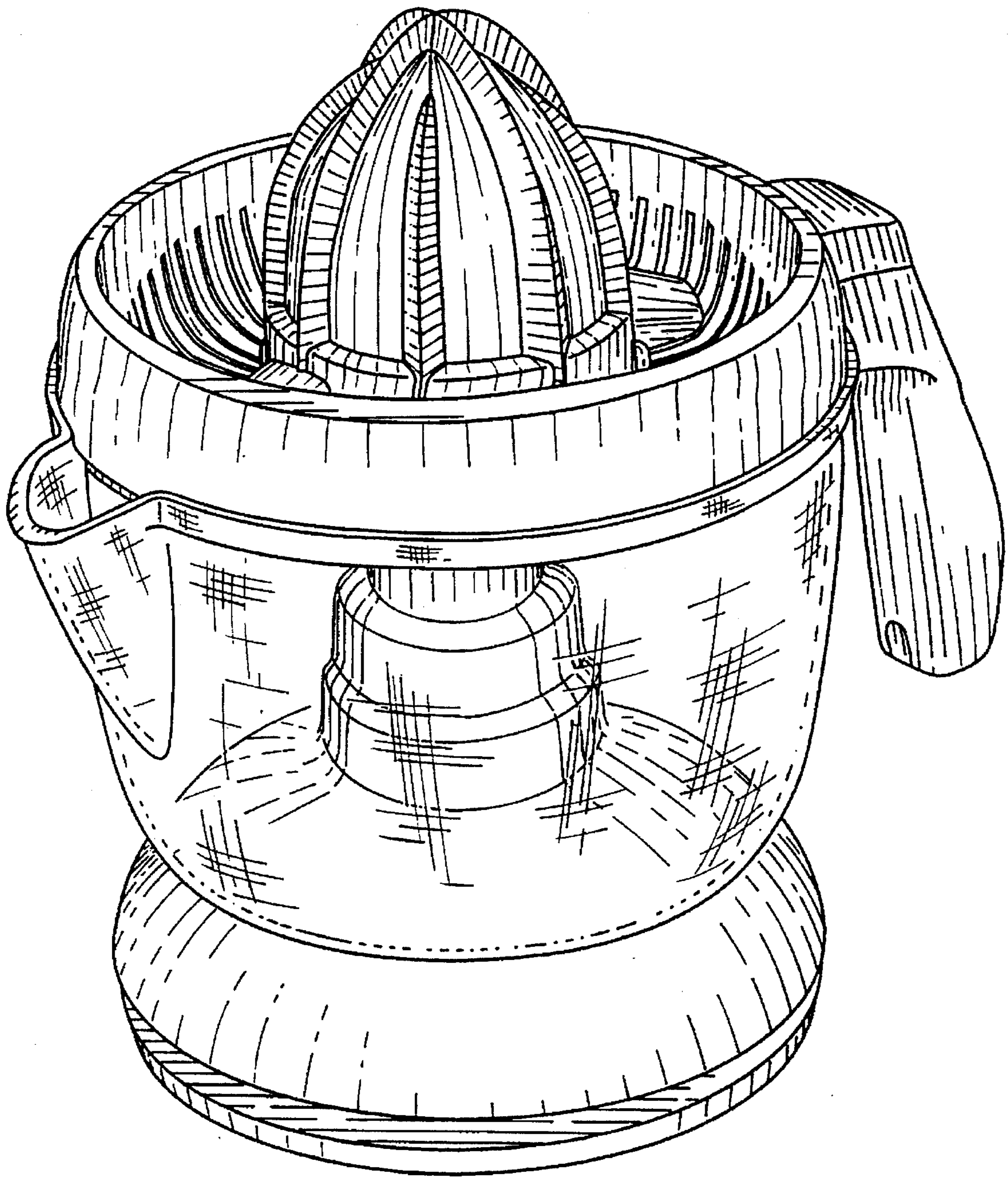


FIG. 1

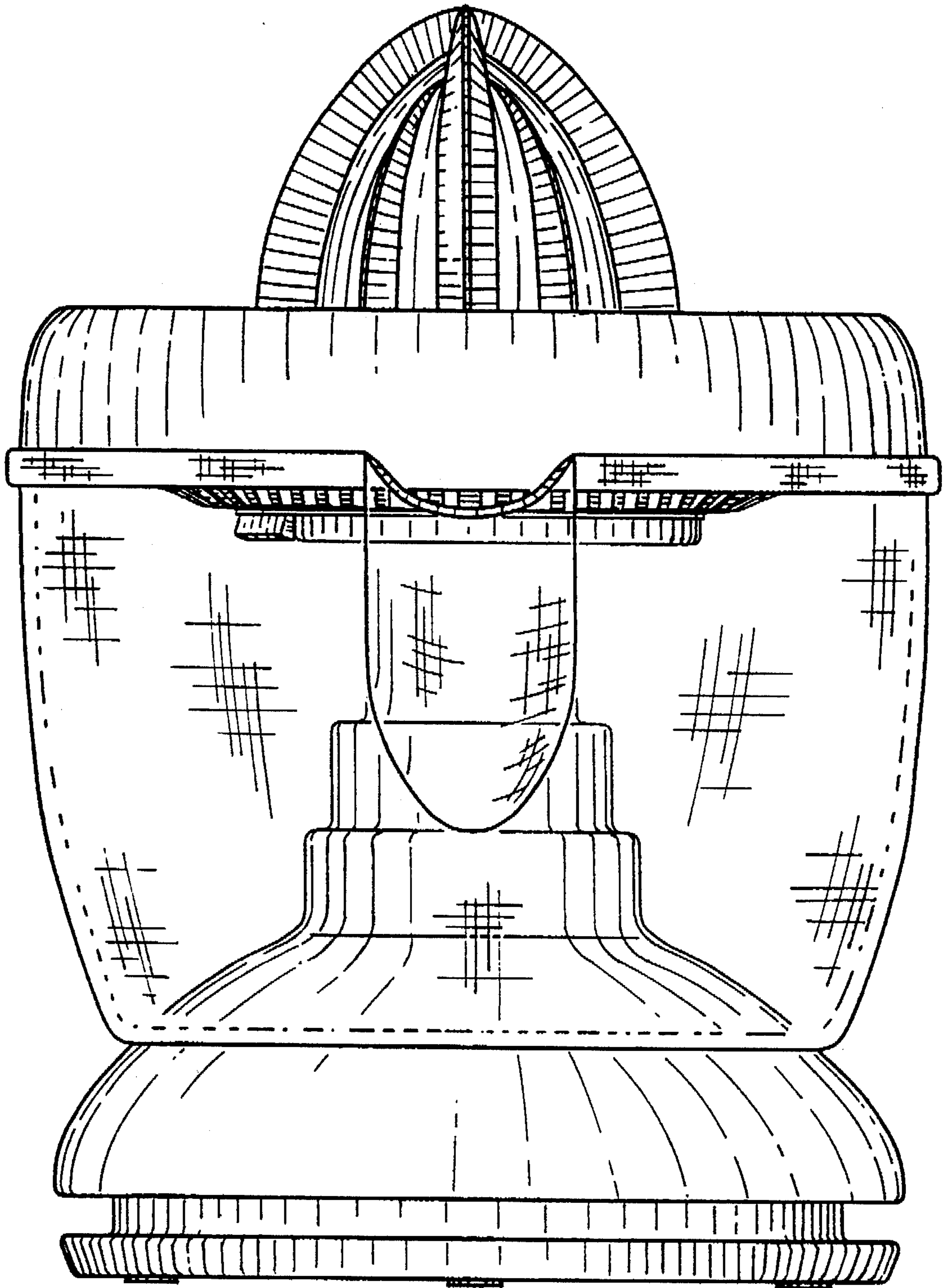


FIG.2

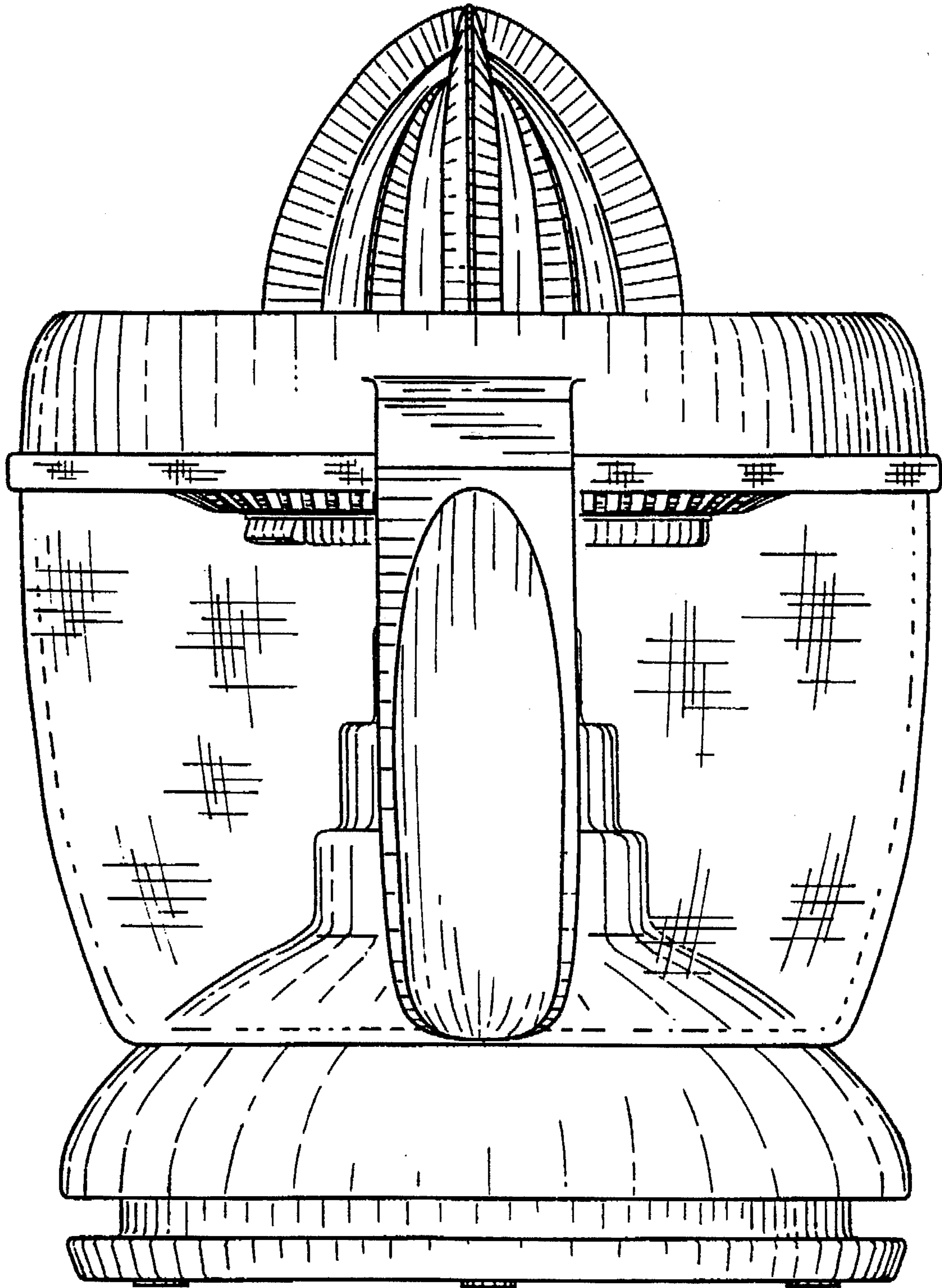


FIG.3

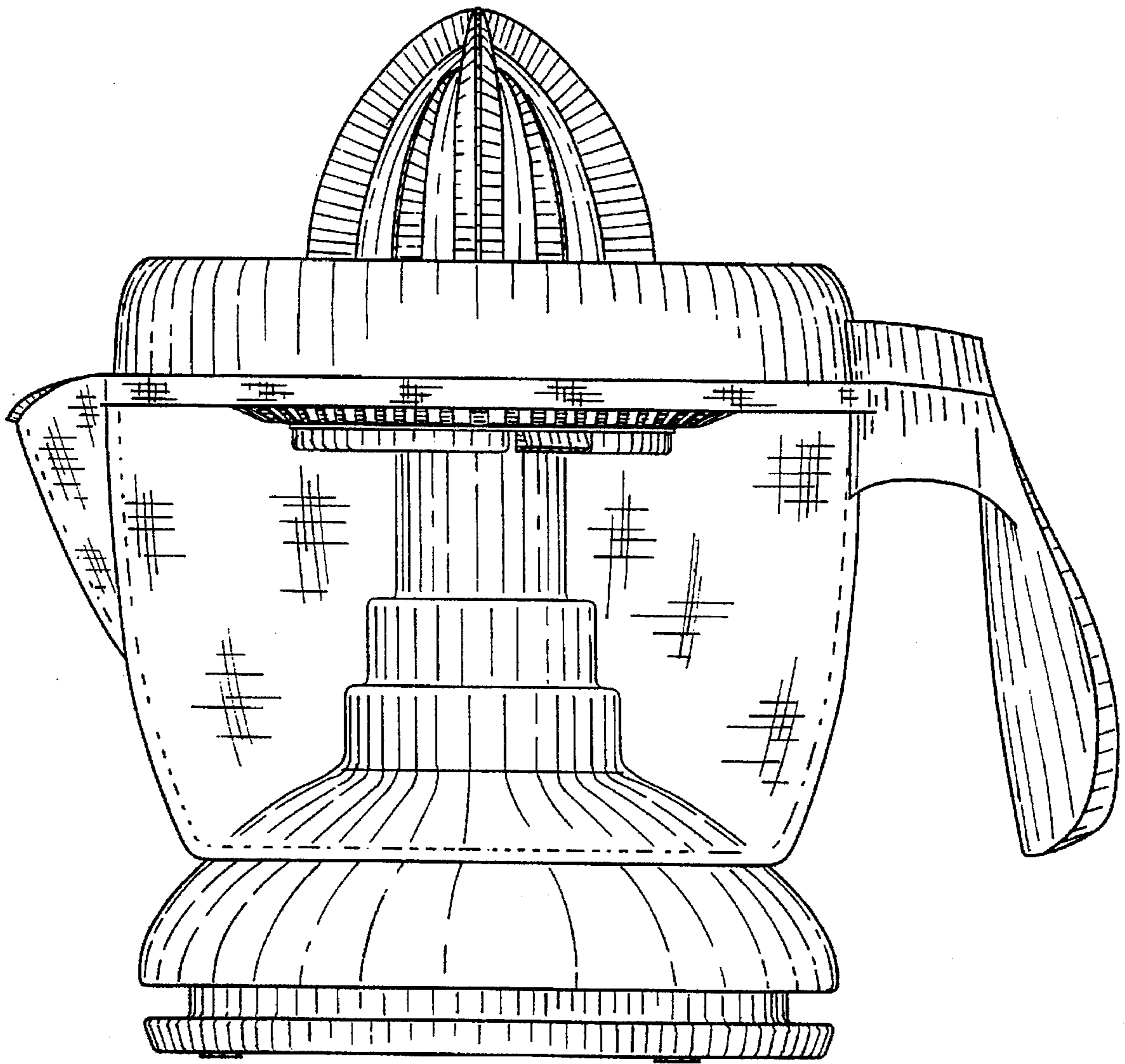


FIG.4

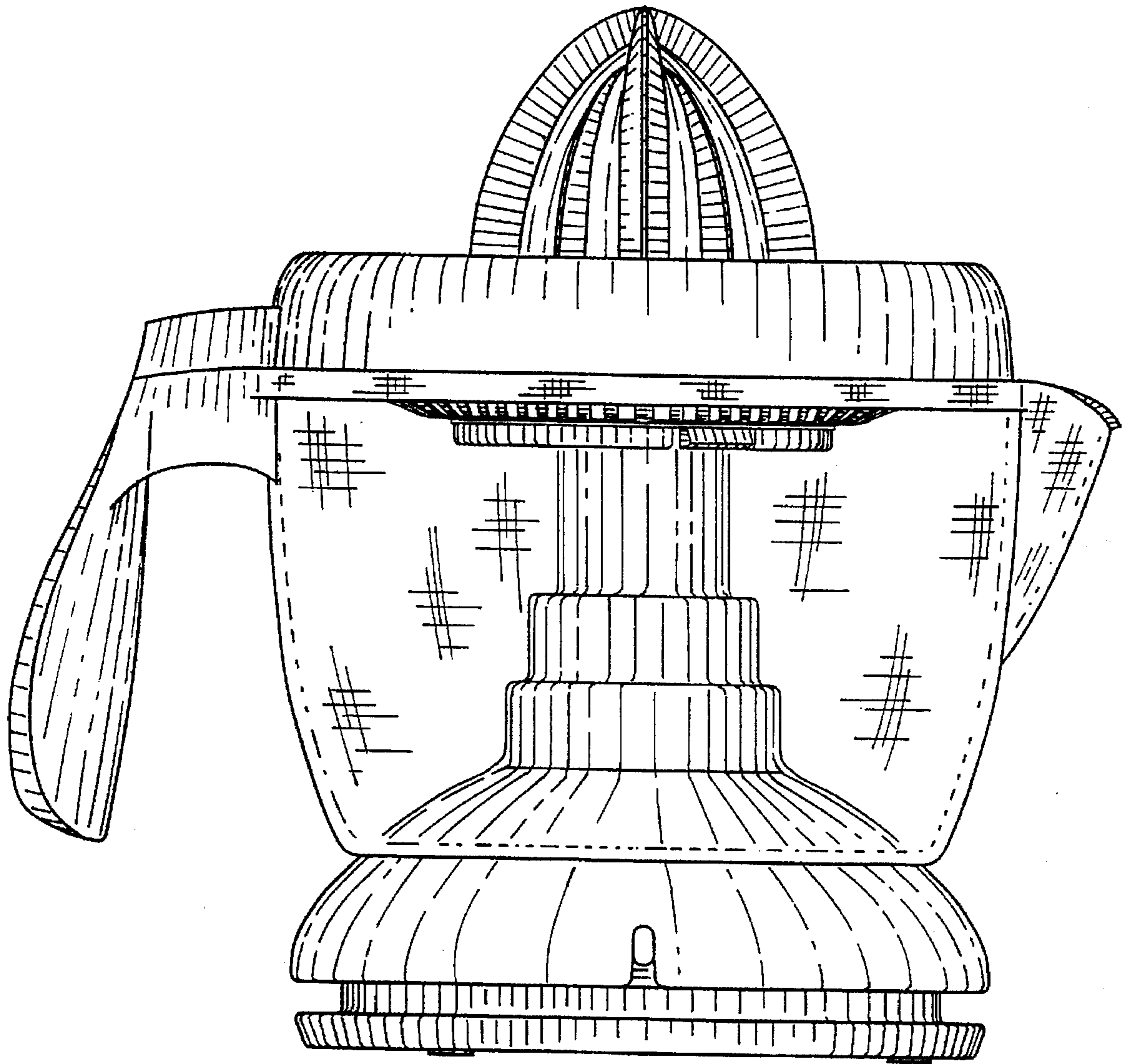


FIG.5

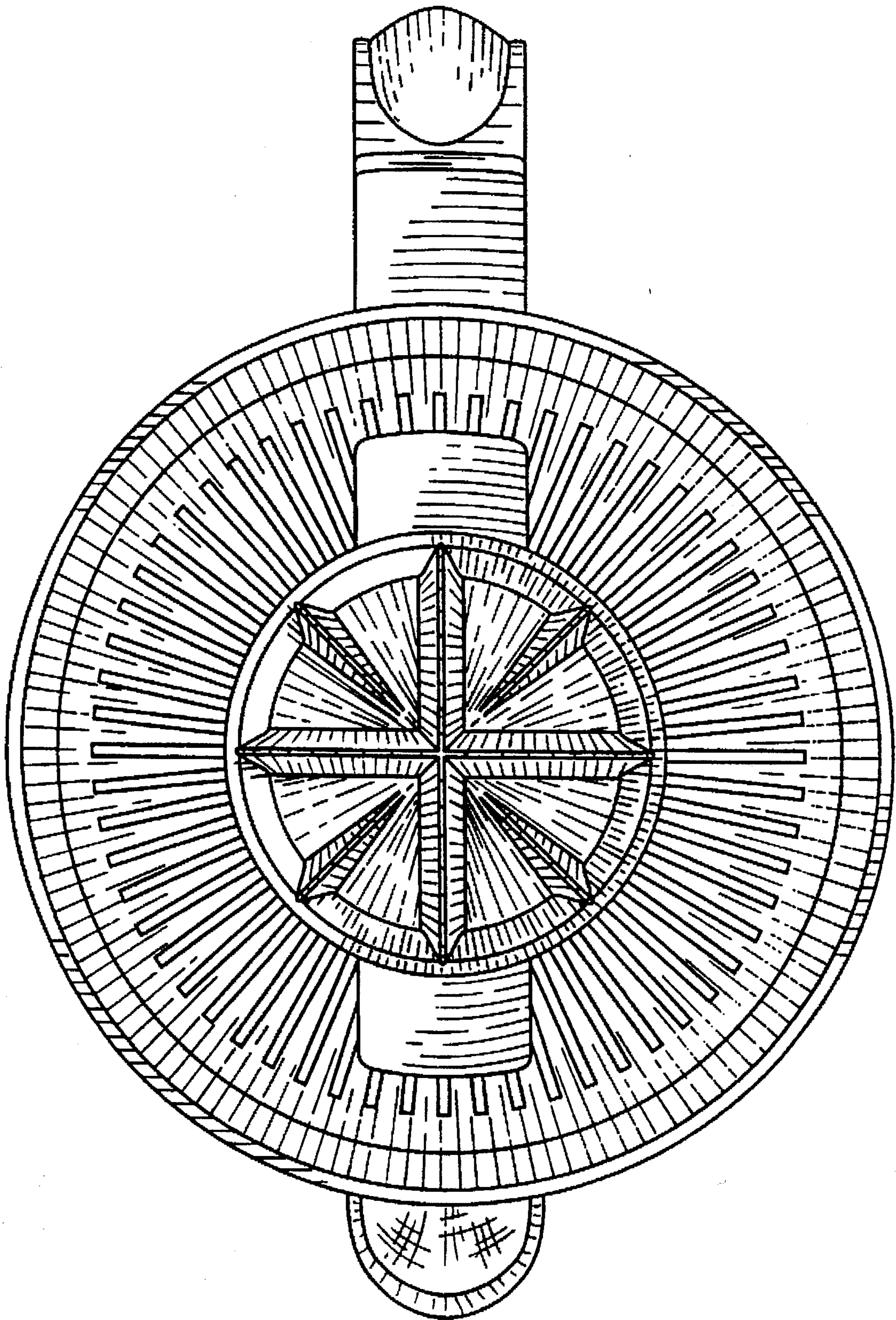


FIG.6

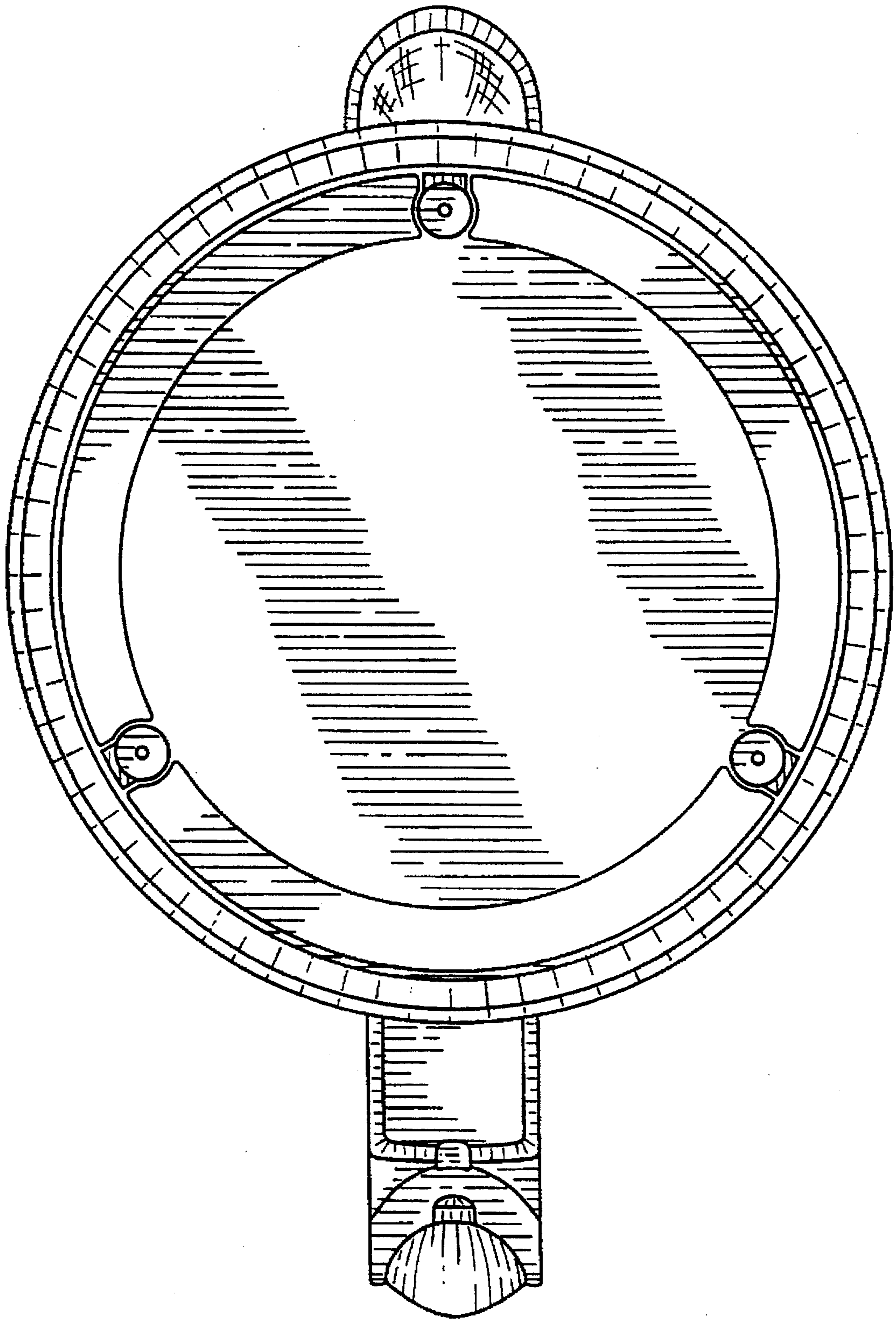


FIG. 7