



US00D379738S

United States Patent [19]

Liming et al.

[11] Patent Number: Des. 379,738

[45] Date of Patent: **Jun. 10, 1997

[54] **COMBINED CUP WITH LID**

[75] Inventors: **Michael A. Liming**, New Vienna;
Gregory L. Webb, Wilmington, both of Ohio

[73] Assignee: **Packaging Resources Incorporated**,
Lake Forest, Ill.

[**] Term: **14 Years**

[21] Appl. No.: **45,096**

[22] Filed: **Oct. 10, 1995**

[51] **LOC (6) Cl.** **07-01**

[52] **U.S. Cl.** **D7/511; D7/510; D7/523**

[58] **Field of Search** **D7/534, 509, 301, D7/511, 510, 506, 507, 514, 515, 533, 536, 535, 523, 531, 530, 629, 630, 619, 397; 220/703, 713, 334, 714, 715, 306, 709; 215/11.6, 235, 393; 224/148.6**

D. 331,684 12/1992 Trombley D7/536

D. 346,308 4/1994 Cautereels et al. D7/509

D. 346,932 5/1994 Cautereels et al. D7/507

D. 346,933 5/1994 Denny et al. D7/536

D. 359,882 7/1995 Birge, Jr. D7/511 X

D. 362,368 9/1995 Willbrant D7/509

604,514 5/1898 Belden .

2,608,841 9/1952 Rice 220/715 X

2,905,350 9/1959 Edwards 215/1

2,963,256 12/1960 Borah 248/346

3,045,887 7/1962 Caine 229/1.5

3,079,027 2/1963 Edwards 220/9

3,091,360 5/1963 Edwards 220/97

3,128,029 4/1964 Price et al. 220/97

3,223,305 12/1965 Edwards 229/1.5

3,262,626 7/1966 Davis 229/1.5

3,342,370 9/1967 Johnson 220/97

3,484,018 12/1969 Davis 220/97

3,609,263 9/1971 Clementi 220/60 R

3,850,361 11/1974 Day et al. 229/1.5 B

(List continued on next page.)

OTHER PUBLICATIONS

Home Furnishing Daily. *Famous Plastic Premiums That Ran Into Millions*; 1946, p. 96.

Home Furnishings Daily. Dec. 19, 1960, p. 11.

Primary Examiner—M. N. Pandozzi
Attorney, Agent, or Firm—Arnold, White & Durkee

[57] CLAIM

The ornamental design for combined cup with lid, as shown and described.

DESCRIPTION

FIG. 1 is a top plan view of a combined cup with lid with the lid removed for ease of illustration;

FIG. 2 is a bottom plan view of the combined cup with lid;

FIG. 3 is a side elevational view thereof, the opposite side being a mirror image;

FIG. 4 is a perspective view thereof;

FIG. 5 is a top plan view thereof; and,

FIG. 6 is a bottom plan view thereof with the cup portion removed for ease of illustration.

1 Claim, 4 Drawing Sheets

[56] References Cited

U.S. PATENT DOCUMENTS

D. 47,527 6/1915 Sanford .

D. 81,984 9/1930 Kirkpatrick .

D. 110,902 8/1938 Loesch .

D. 113,230 2/1939 Karstadt .

D. 169,370 4/1953 Greenspan D29/28

D. 198,139 5/1964 Edwards D44/9

D. 199,137 9/1964 Davis D44/9

D. 204,783 5/1966 Johnson D44/9

D. 217,781 6/1970 Stone D36/8

D. 226,573 3/1973 Casad D36/8 B

D. 239,151 3/1976 Halmstad D7/6

D. 240,285 6/1976 Sepaneva et al. D7/11

D. 240,286 6/1976 Sepaneva et al. D7/11

D. 240,287 6/1976 Sepaneva et al. D7/11

D. 240,388 7/1976 Werling D7/15

D. 247,601 3/1978 Schreckengost D7/9

D. 248,916 8/1978 Reynolds et al. D7/15

D. 258,483 3/1981 Weinstein D7/6

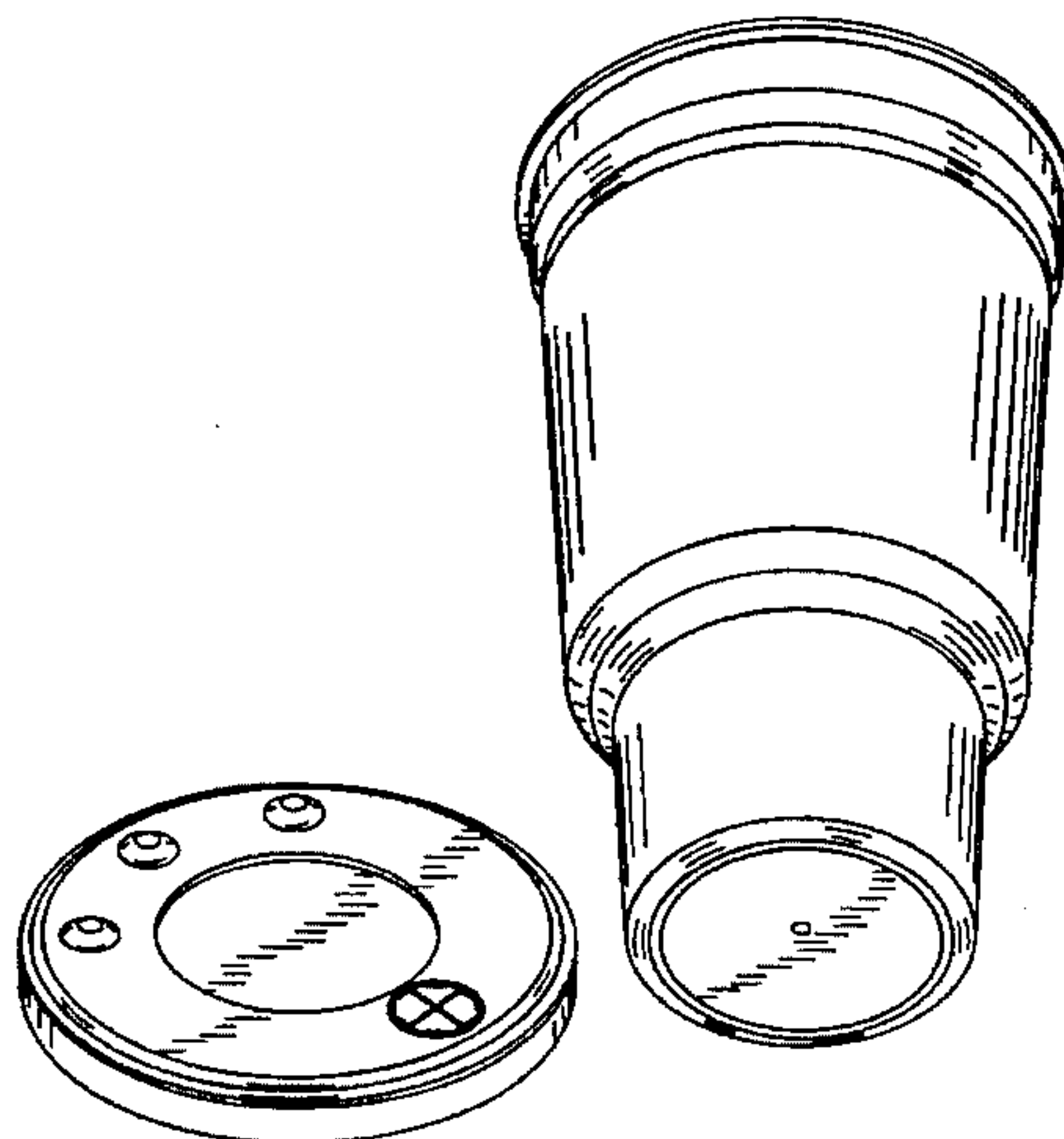
D. 274,695 7/1984 Kennedy D9/352

D. 282,329 1/1986 Durand D7/8

D. 285,032 8/1986 Alonzo D7/6

D. 285,999 10/1986 Ludwick et al. D7/6

D. 286,725 11/1986 Zieff D7/14



U.S. PATENT DOCUMENTS

3,854,583	12/1974	Amberg et al.	D7/523 X	4,657,141	4/1987	Sorensen	206/519
3,927,766	12/1975	Day	206/519	4,832,202	5/1989	Newman et al.	206/519
3,934,725	1/1976	Edwards	206/519	4,854,468	8/1989	Dahlquist, II et al.	220/85 H
4,039,435	8/1977	Narva	206/217	4,869,390	9/1989	Kennedy	220/90.4
4,052,037	10/1977	Mair et al.	366/341	4,946,062	8/1990	Coy	220/714
4,061,782	12/1977	Baxter	426/86	4,946,094	8/1990	Stang	224/148.6 X
4,193,494	3/1980	Green	206/217	5,088,673	2/1992	Chandler	248/311.2
4,231,476	11/1980	Compton et al.	206/519	5,150,810	9/1992	Loebbert	220/306 X
4,368,818	1/1983	Day et al.	206/217	5,285,953	2/1994	Smith	229/1.5 H
4,420,081	12/1983	Dart	206/519	5,305,911	4/1994	Aylward	220/675
4,551,366	11/1985	Maruhashi et al.	428/35	5,427,269	6/1995	Willbrant	220/669
4,618,066	10/1986	Vail	215/12 R	5,433,337	7/1995	Willbrant	220/669
				5,485,938	1/1996	Boersma	220/714

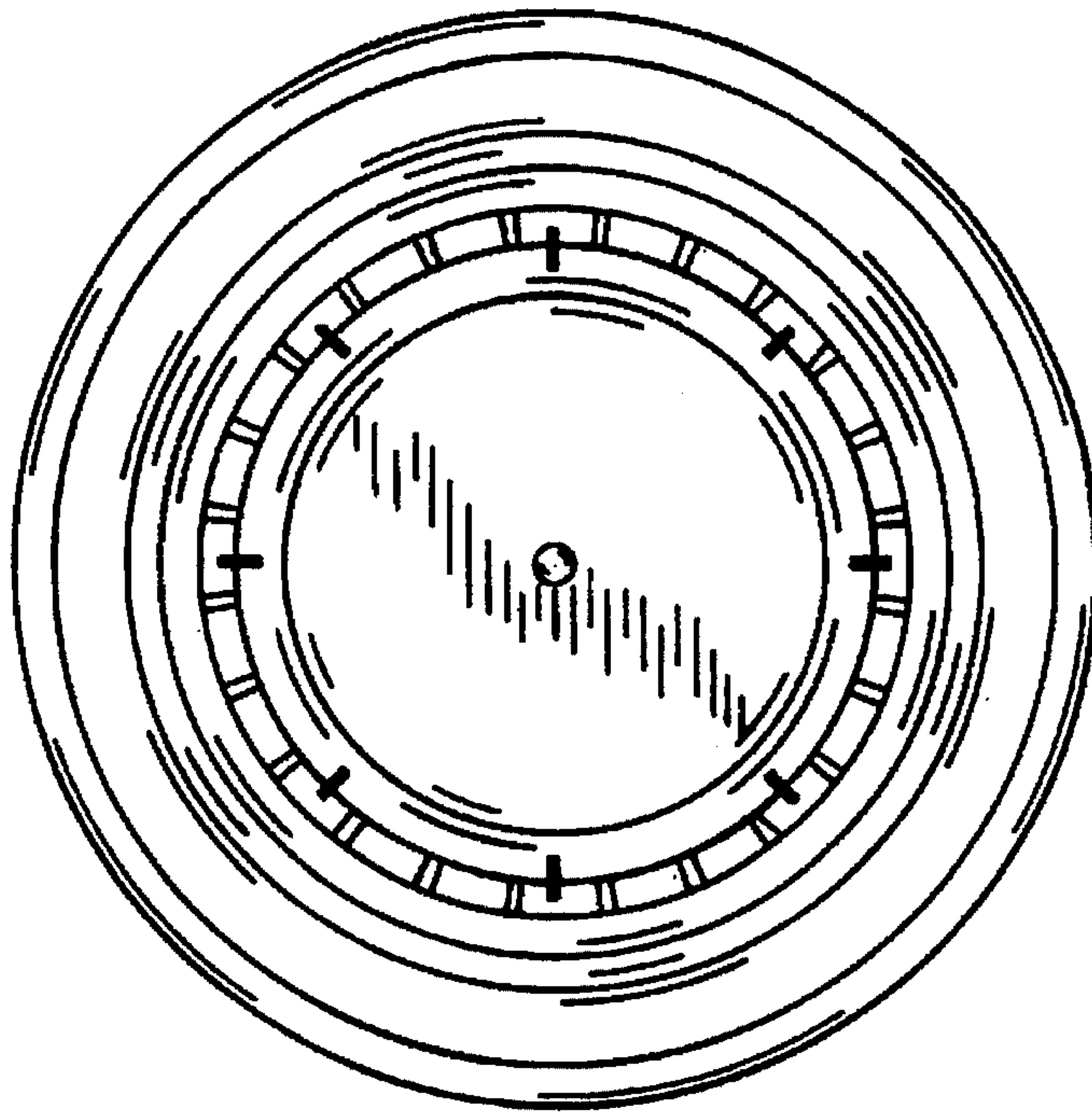


FIG. 1

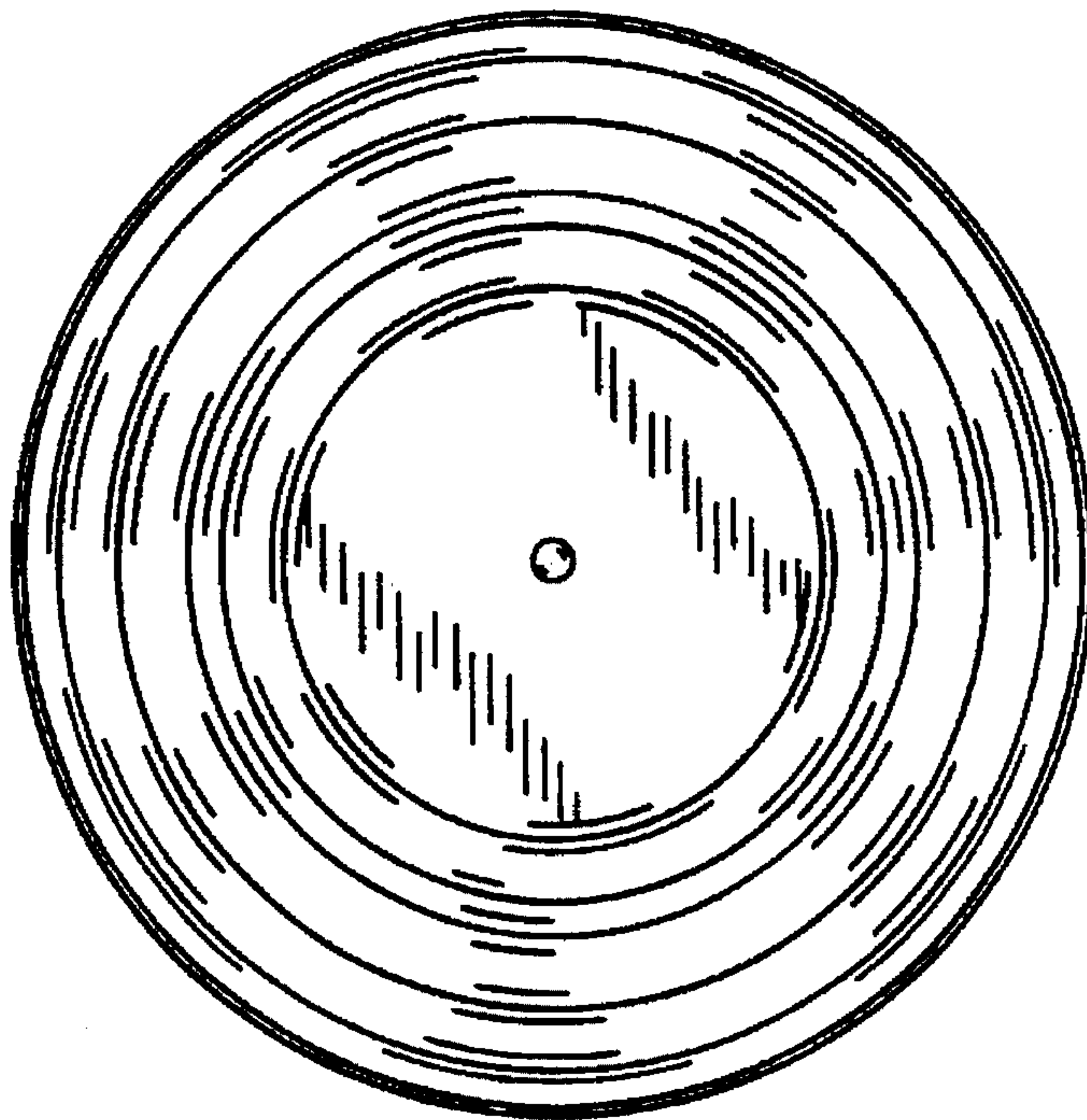


FIG. 2

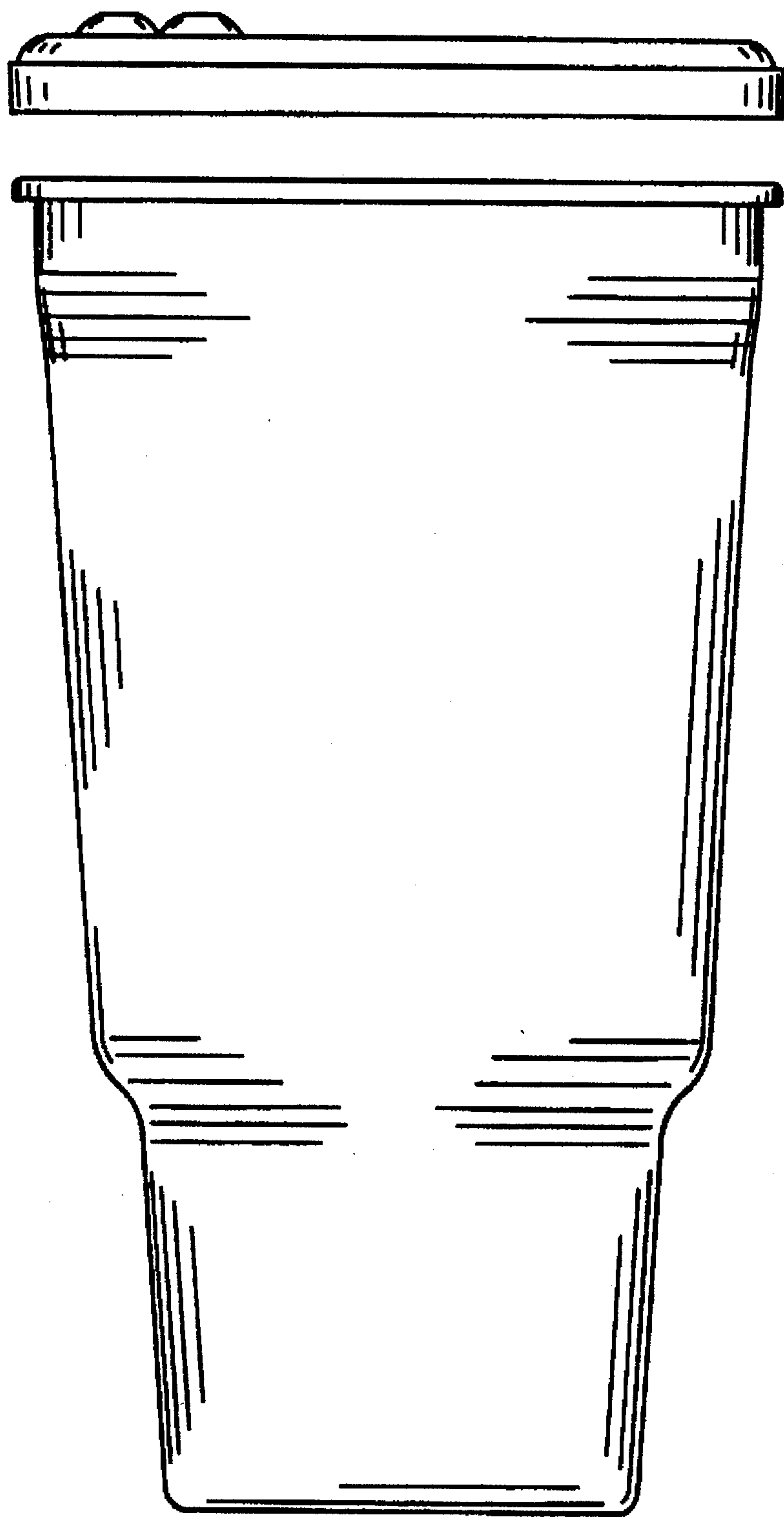


FIG. 3

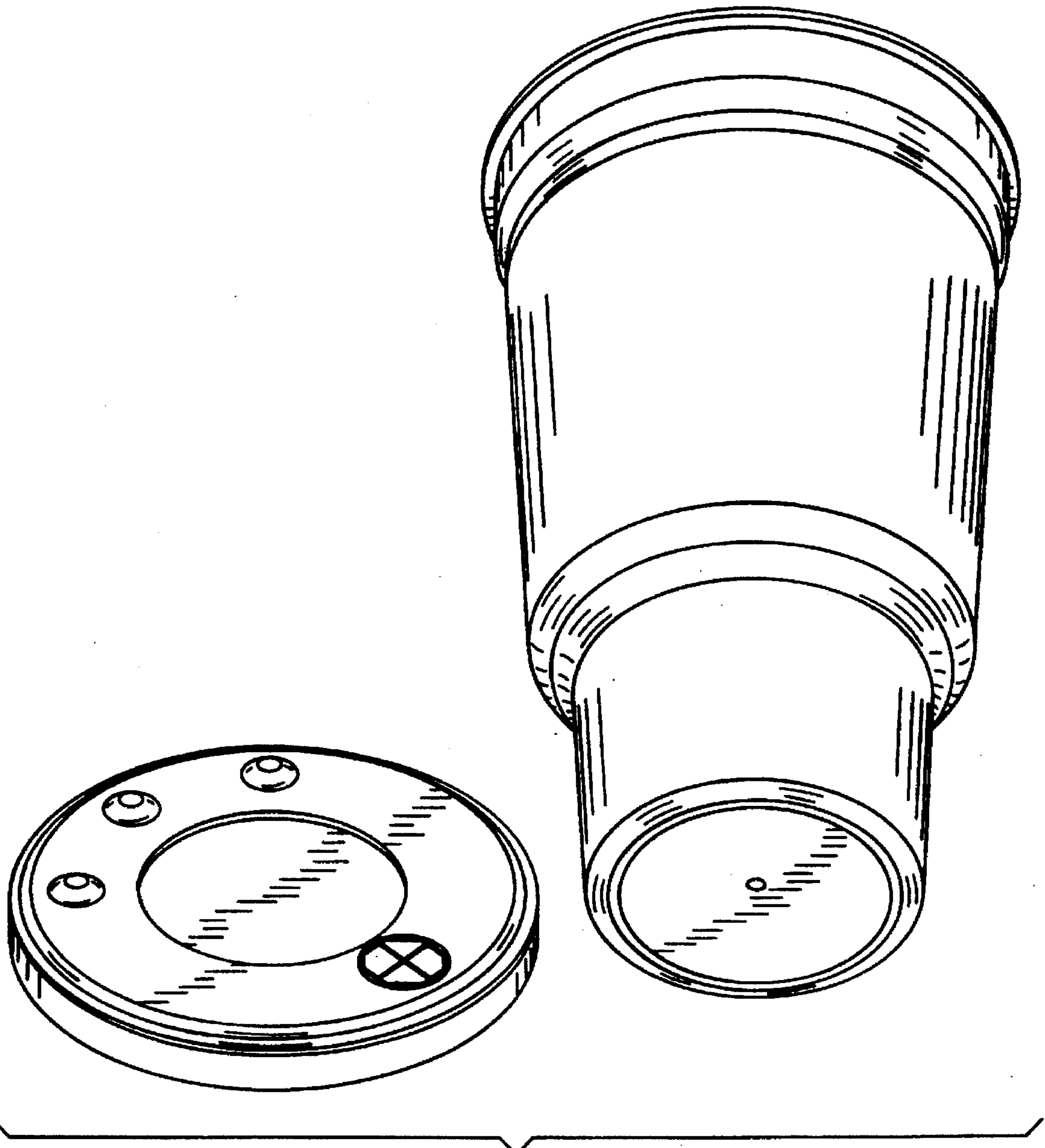


FIG. 4

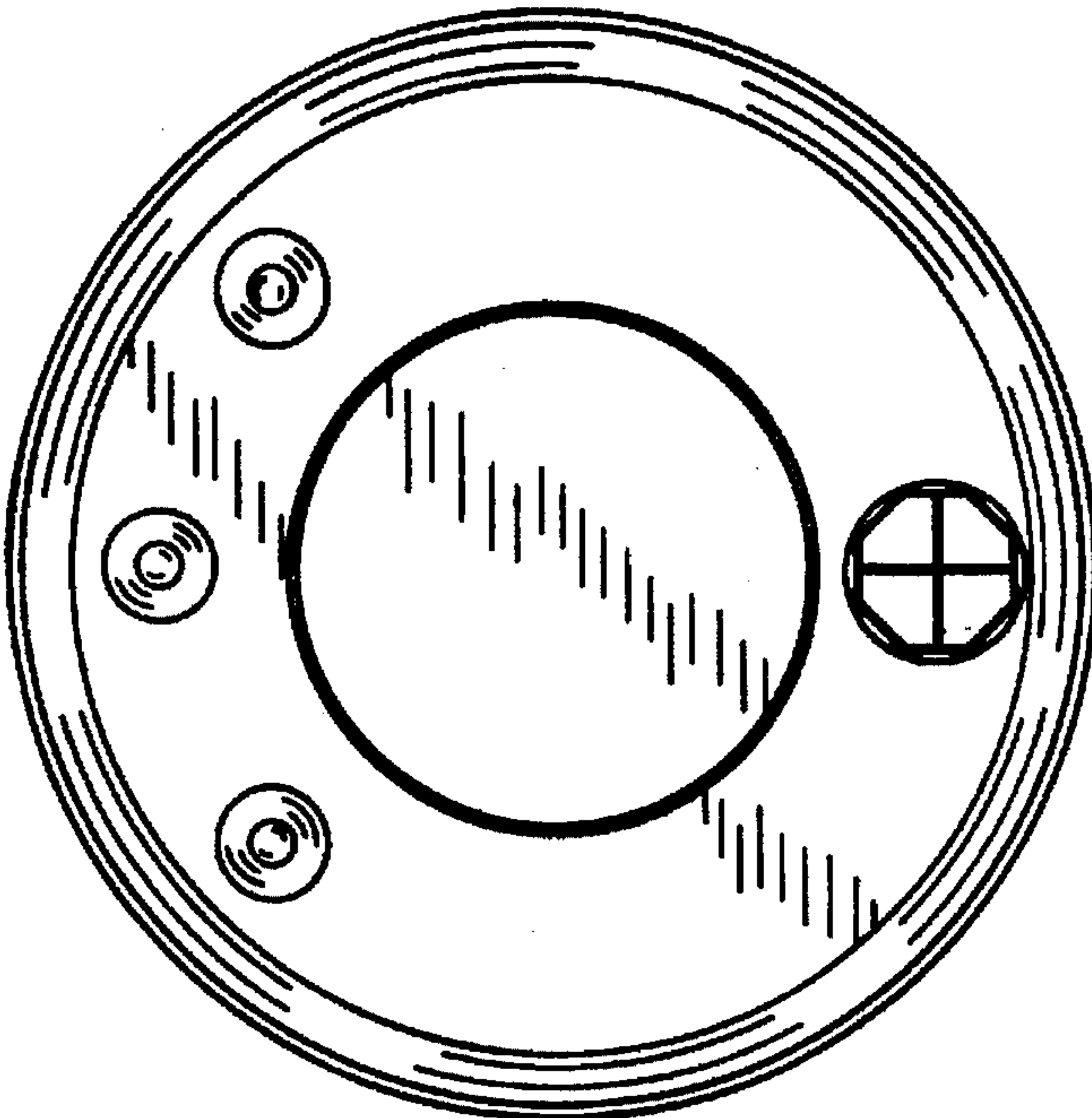


FIG. 5

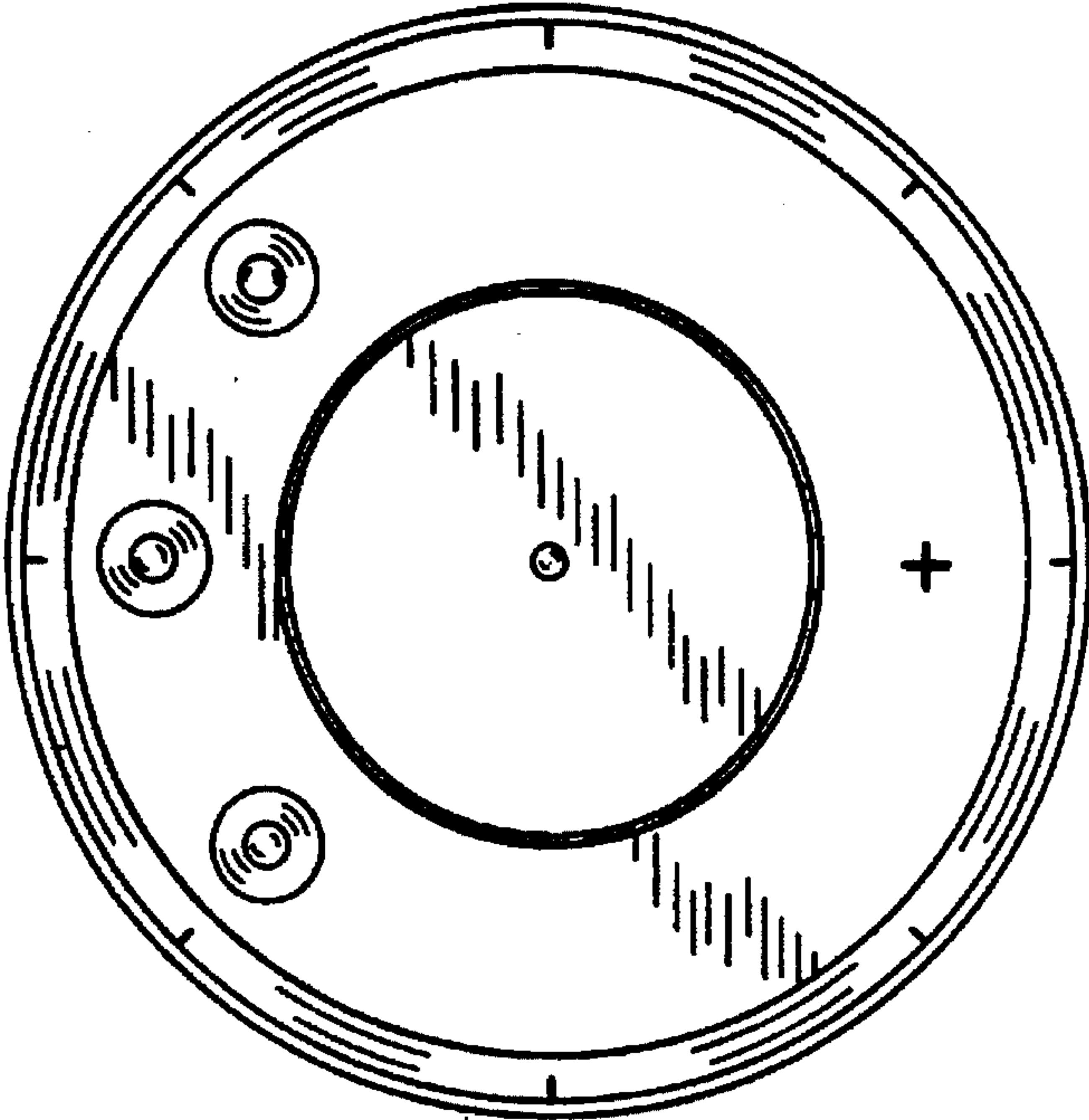


FIG. 6