



US00D379732S

United States Patent [19]

Jeppesen et al.

[11] Patent Number: Des. 379,732

[45] Date of Patent: **Jun. 10, 1997

[54] PITCHER

5,388,729 2/1995 Geringer 222/465.1 X

[75] Inventors: **Hanne D. Jeppesen, Holte; Jakob Heiberg, Charlottenlund; Stig Lillelund, Gentofte, all of Denmark**

[73] Assignee: **Dart Industries Inc., Orlando, Fla.**

[**] Term: **14 Years**

[21] Appl. No.: **48,205**

[22] Filed: **Dec. 22, 1995**

[51] LOC (6) Cl. **07-01**

[52] U.S. Cl. **D7/319; D7/318**

[58] Field of Search D7/319, 318, 317, D7/316, 300, 536, 601, 392.1, 534, 394, 523, 312; 222/465.1; 220/771, 703, 713; D10/46.2; D9/500

[56] References Cited

U.S. PATENT DOCUMENTS

D. 218,473	8/1970	Asch	D7/318
D. 254,417	3/1980	De Mars et al.	D7/394 X
D. 270,602	9/1983	Fritz	D10/46.2 X
D. 291,270	8/1987	Tardif	D7/317
D. 303,904	10/1989	Wolfenden	D7/317
D. 344,428	2/1994	Ancona et al.	D7/316 X
D. 350,255	9/1994	Daenen et al.	D7/318 X
D. 356,004	3/1995	Van Valkenburg et al.	D7/316 X
2,805,561	9/1957	Emmert et al.	.	
3,841,528	10/1974	Eisenberg	D7/317 X
4,907,719	3/1990	Spotholz et al.	D7/317 X

OTHER PUBLICATIONS

9-218 Chekiang Metalware Fty Co. Ltd Hong Kong Enterprise Sep. 1984 p. 157.

Pitcher #C Bloomingdales Supplement 4/80 p. 13 Apr. 1980. Pitcher (top center) Design 396 p. 54 Dec. 1981.

Measuring Jug by Gustavsberg (bottom) Design 380 Aug. 1980 p. 19.

Primary Examiner—M. N. Pandozzi

Attorney, Agent, or Firm—John A. Doninger

[57] CLAIM

The ornamental design for a pitcher, as shown and described.

DESCRIPTION

FIG. 1 is a top, rear and side perspective view of a pitcher showing our new design;

FIG. 2 is a top plan view thereof;

FIG. 3 is a bottom plan view thereof;

FIG. 4 is a front elevation view thereof;

FIG. 5 is a rear elevation view thereof;

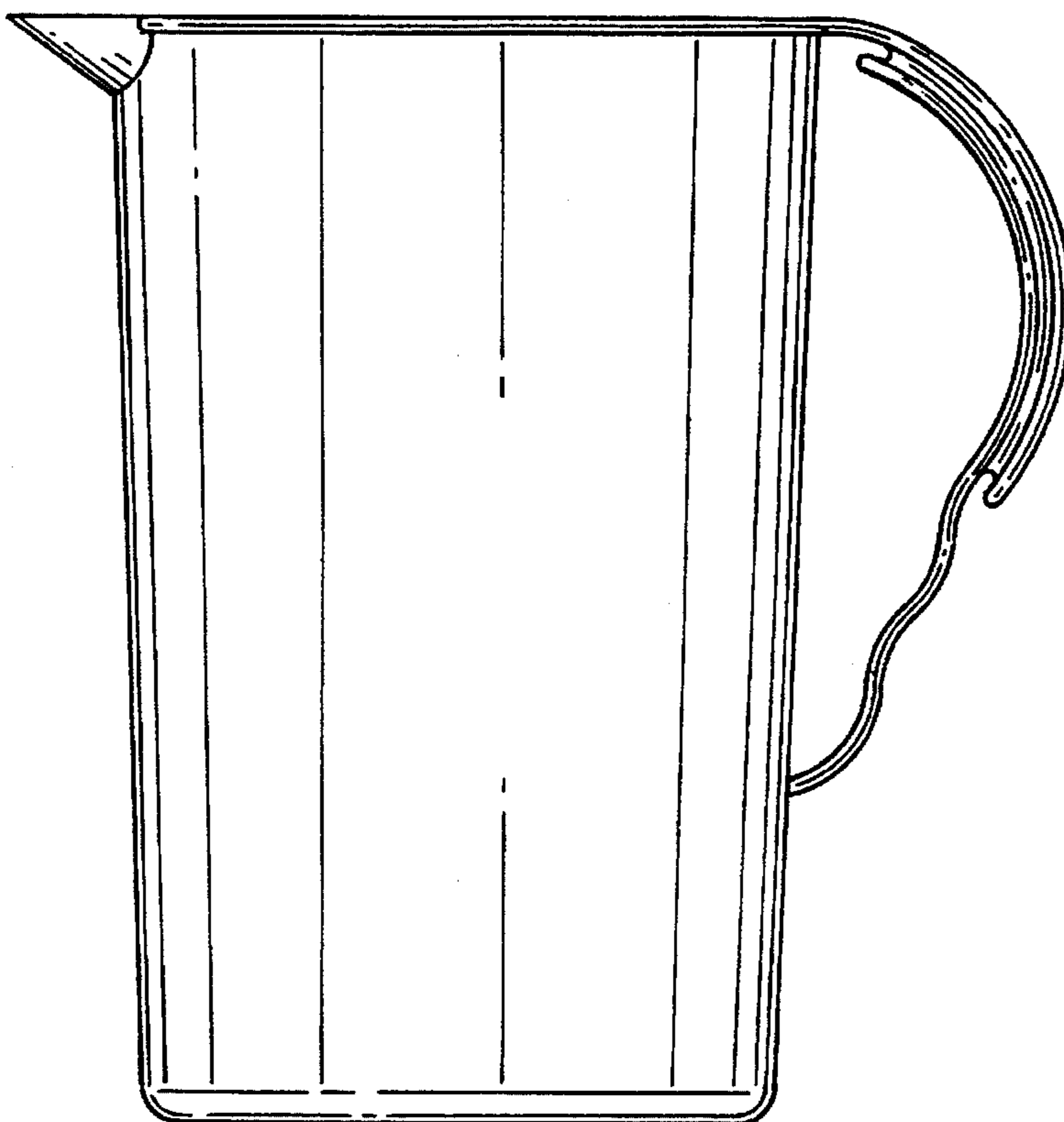
FIG. 6 is a right side elevation view thereof;

FIG. 7 is a left side elevation view thereof;

FIG. 8 is a cross-section thereof taken on line 8—8 in FIG. 2; and,

FIG. 9 is a cross-section thereof taken on line 9—9 in FIG. 2.

1 Claim, 4 Drawing Sheets



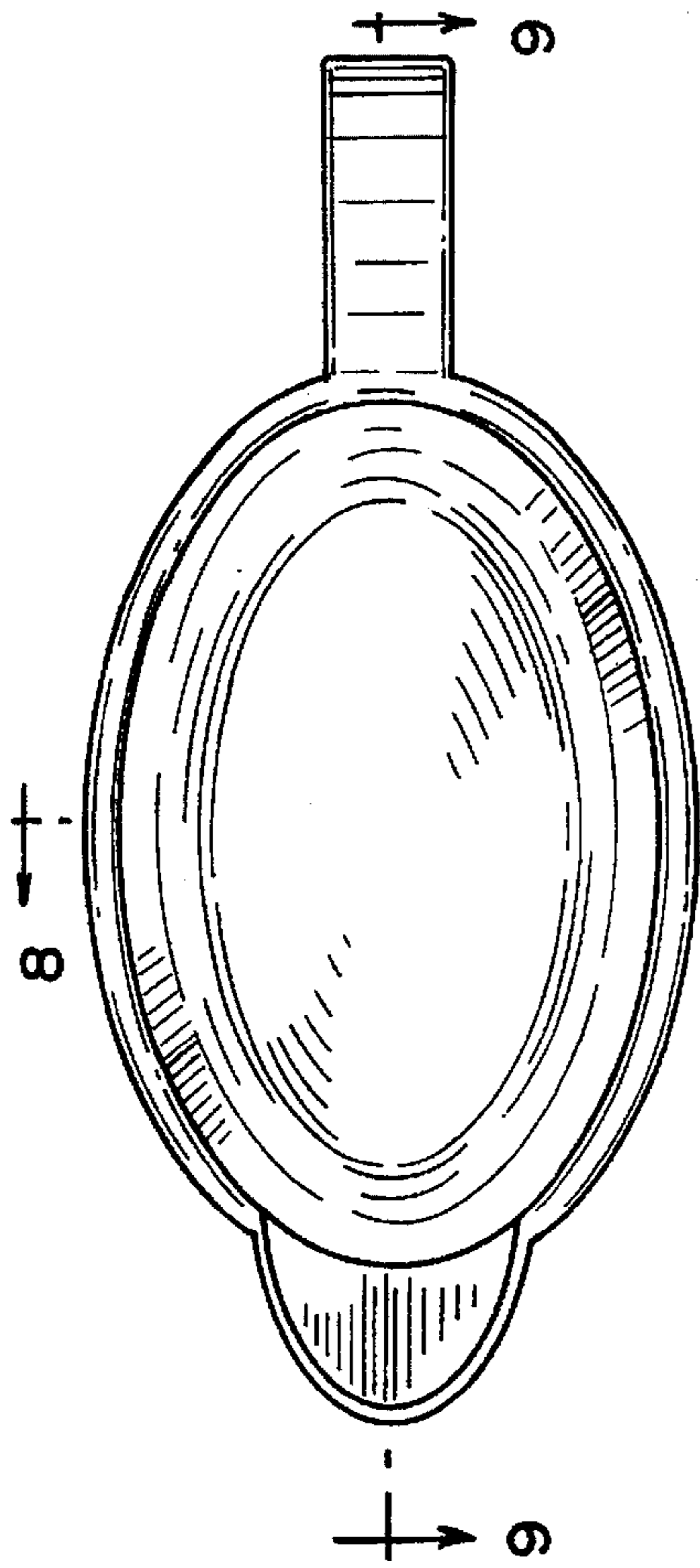


FIG. 2

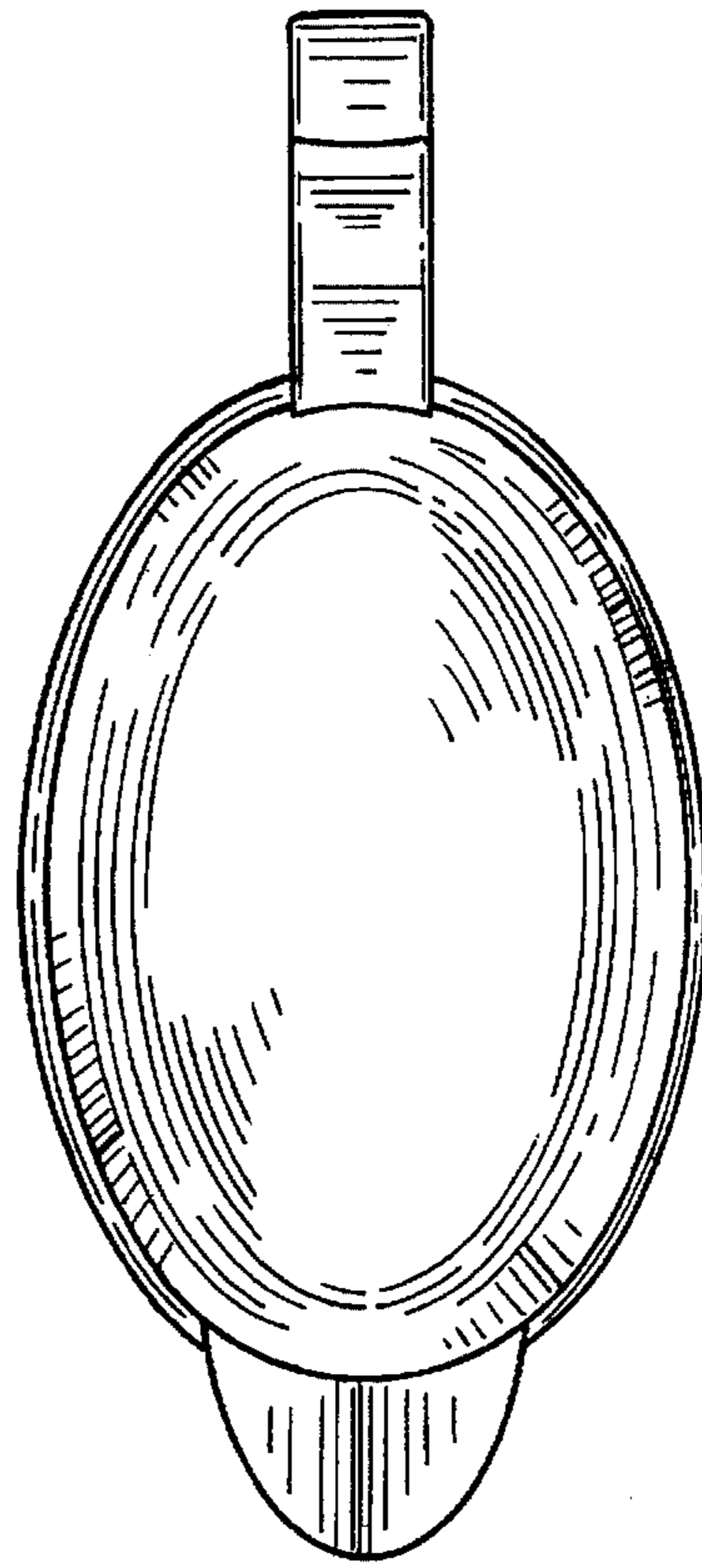


FIG. 3

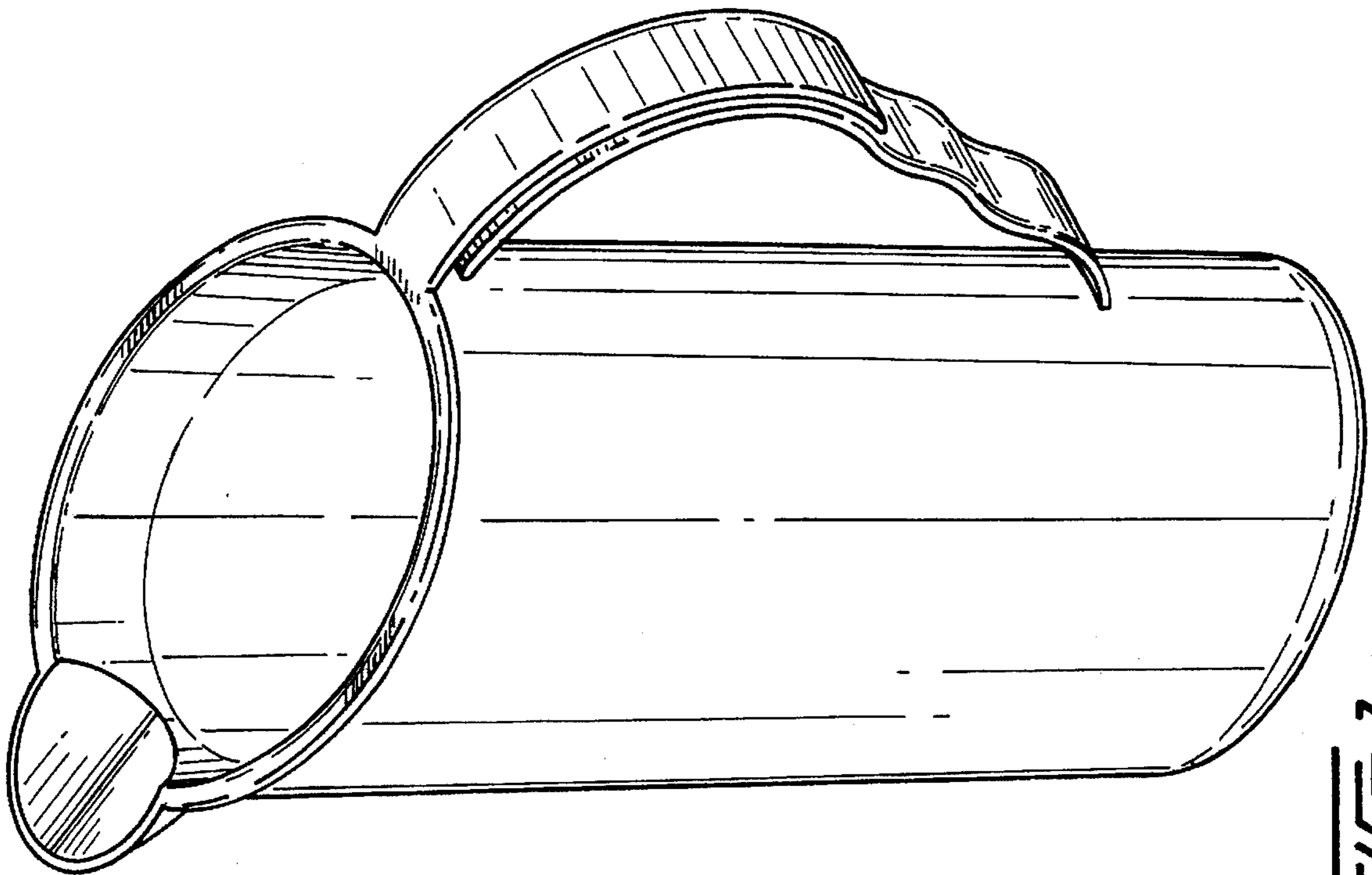


FIG. 1

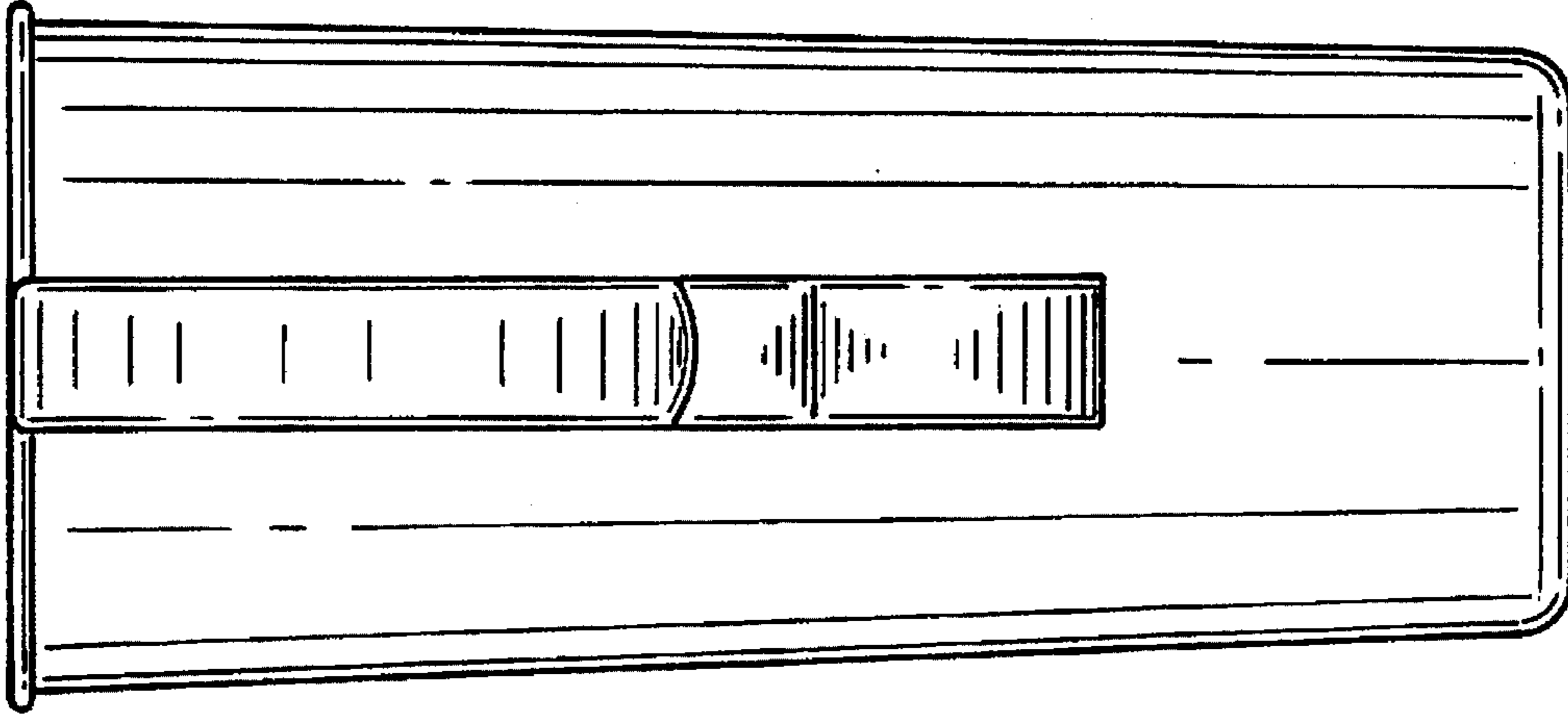


FIG. 5

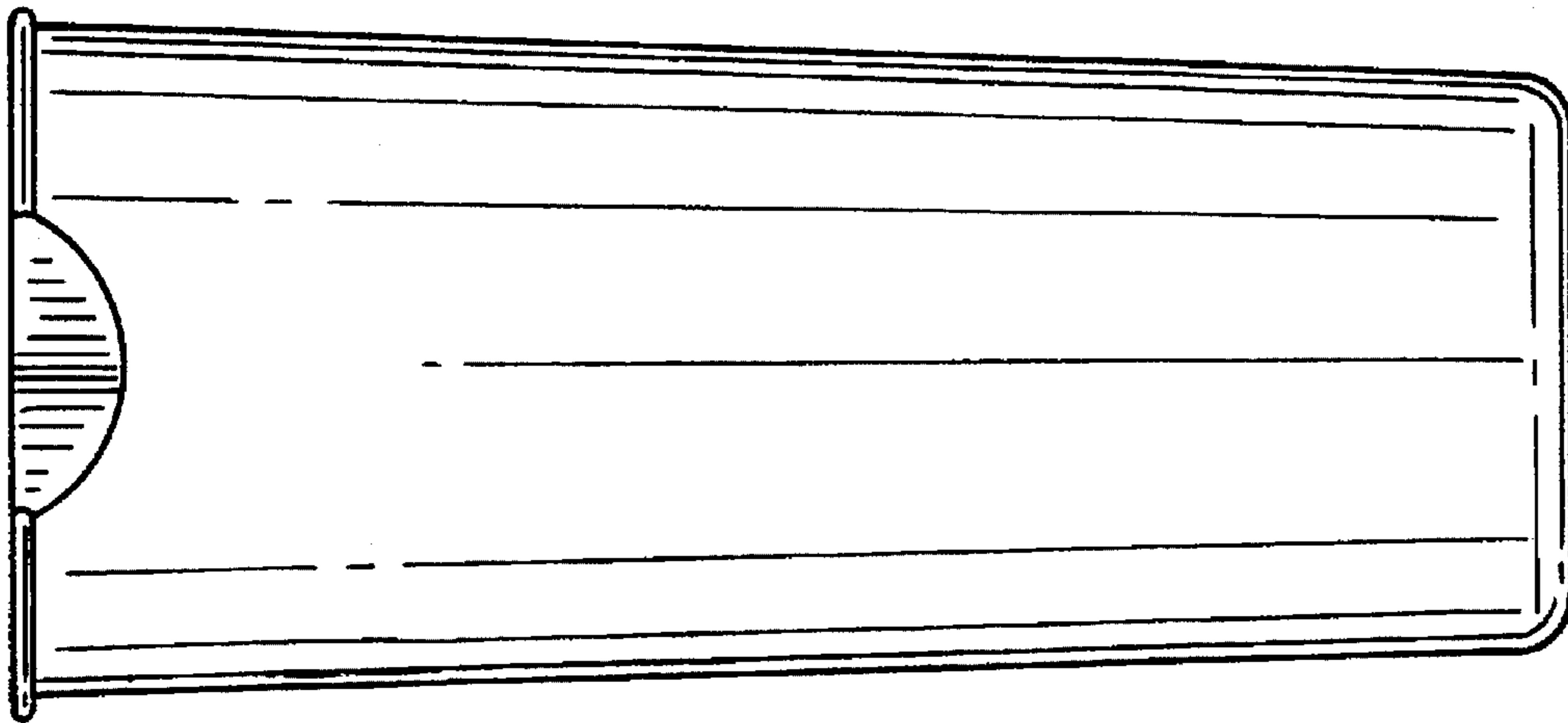


FIG. 4

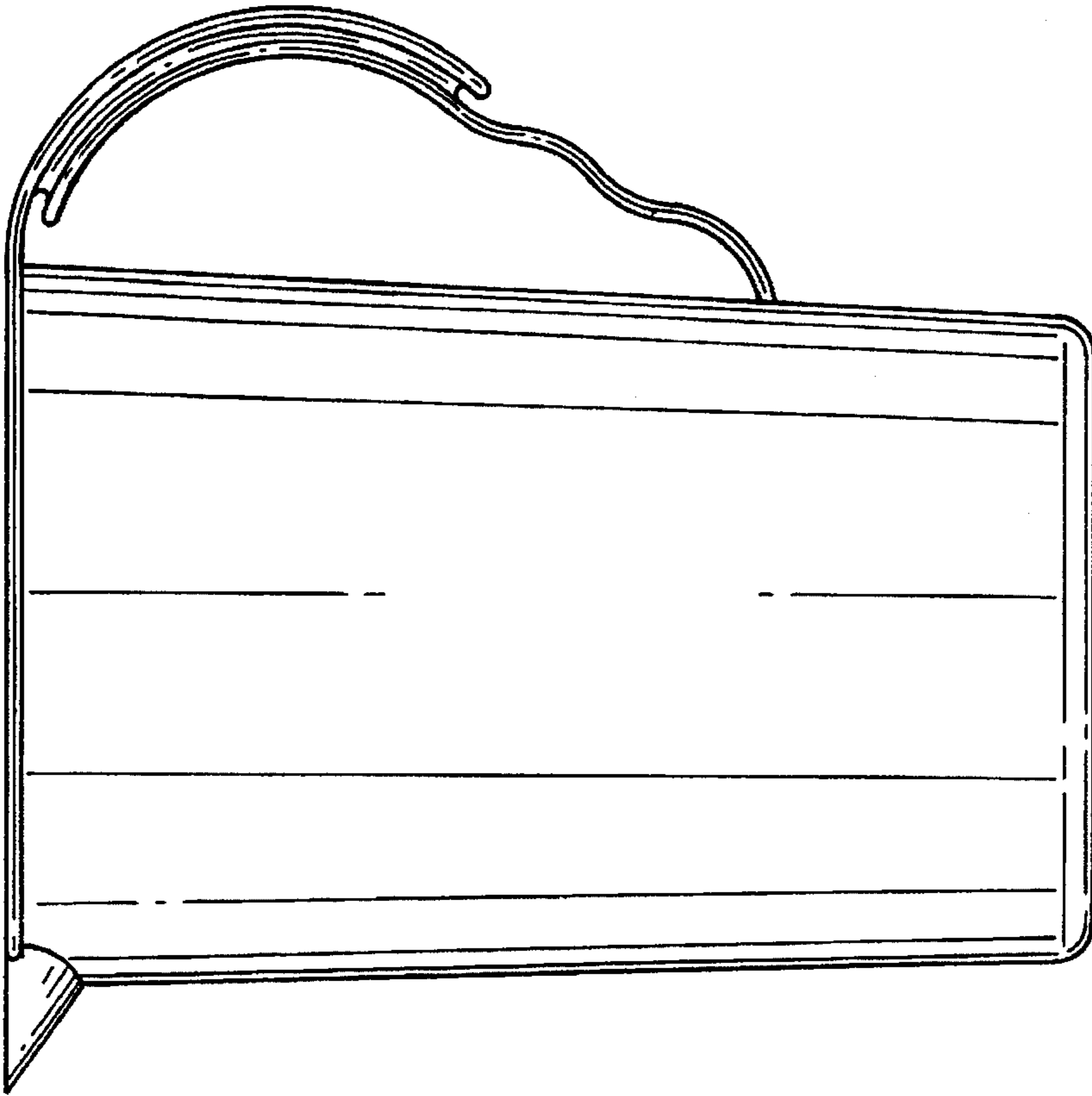


FIG. 7

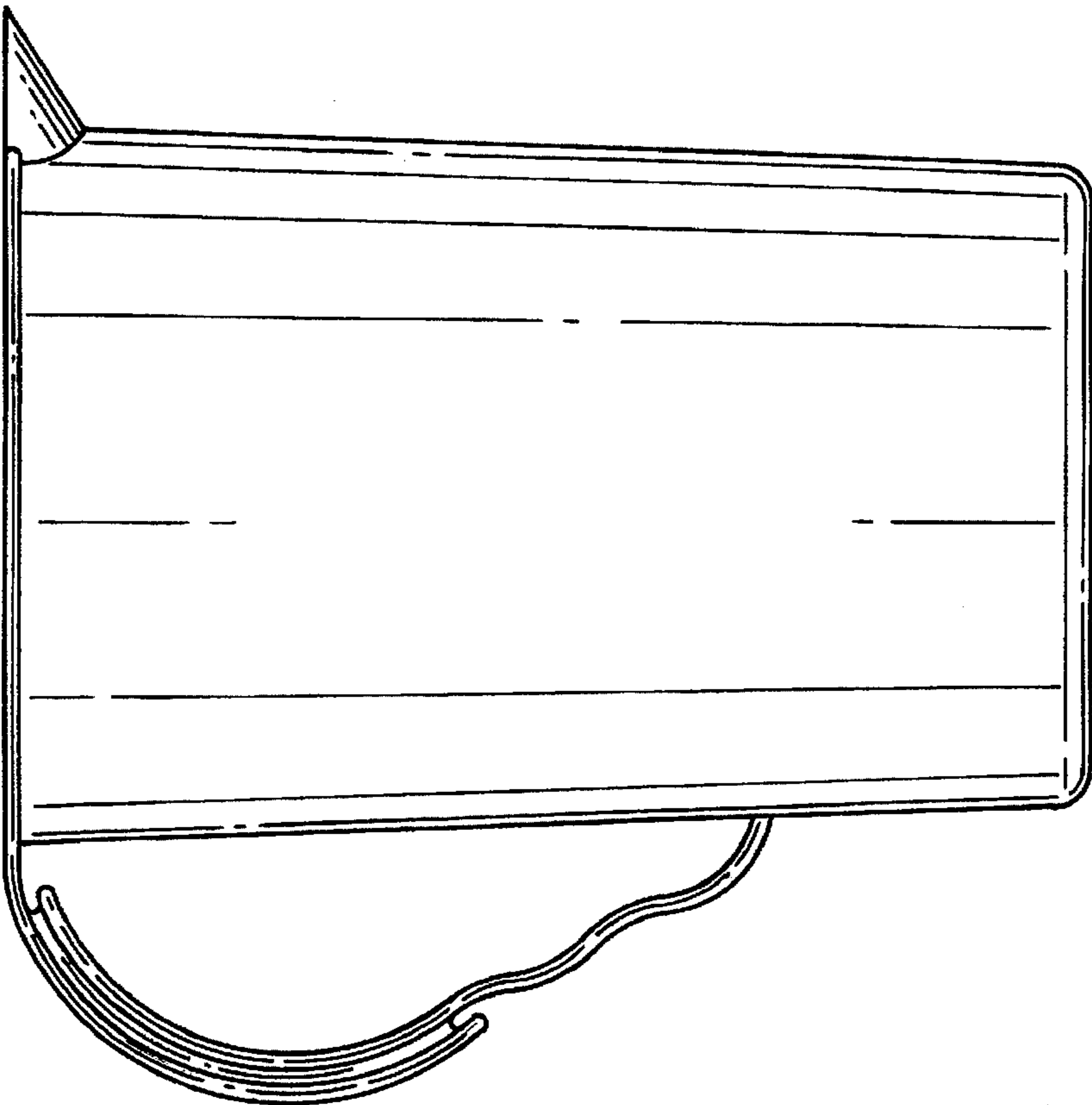


FIG. 8

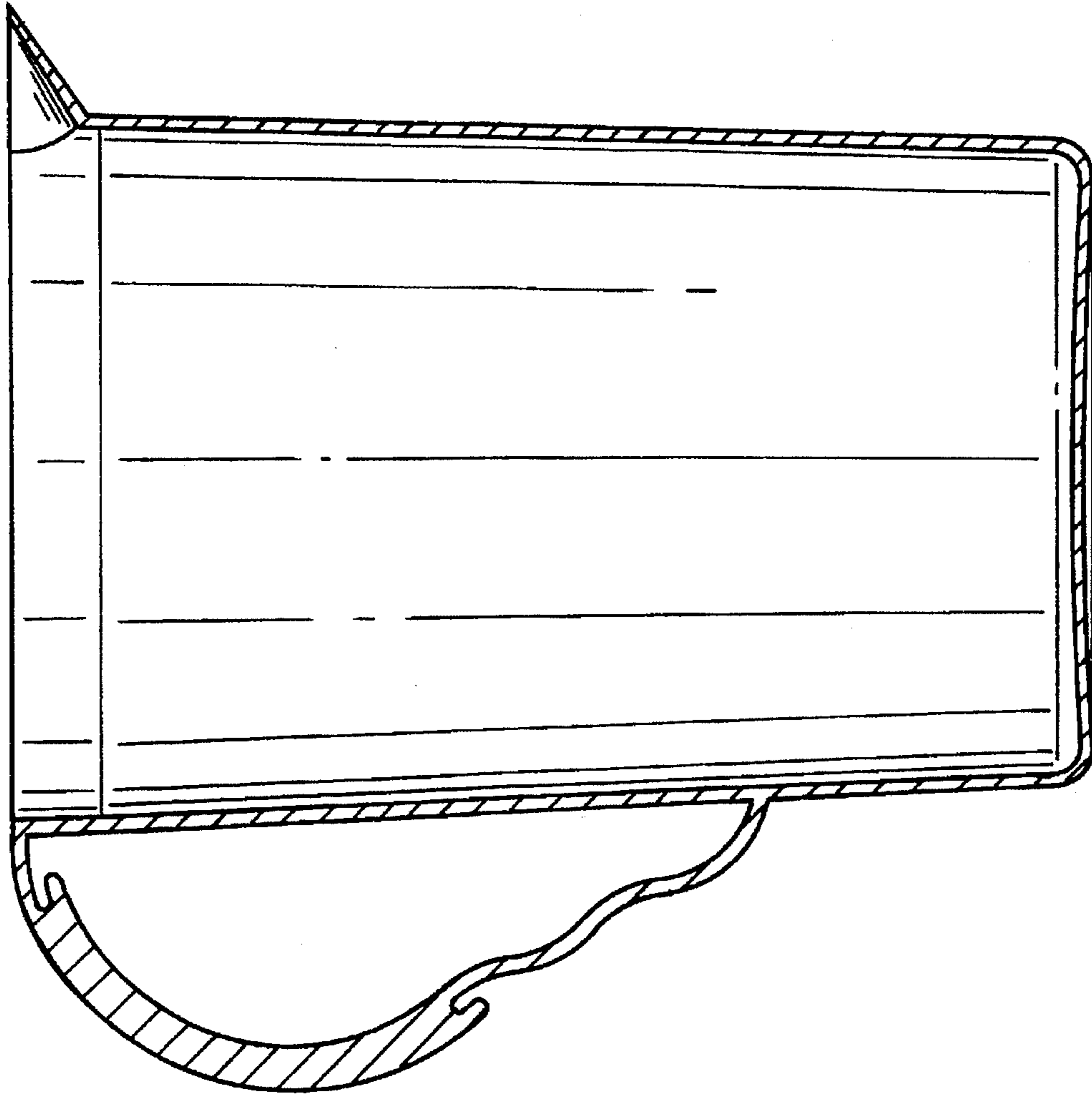


FIG. 9

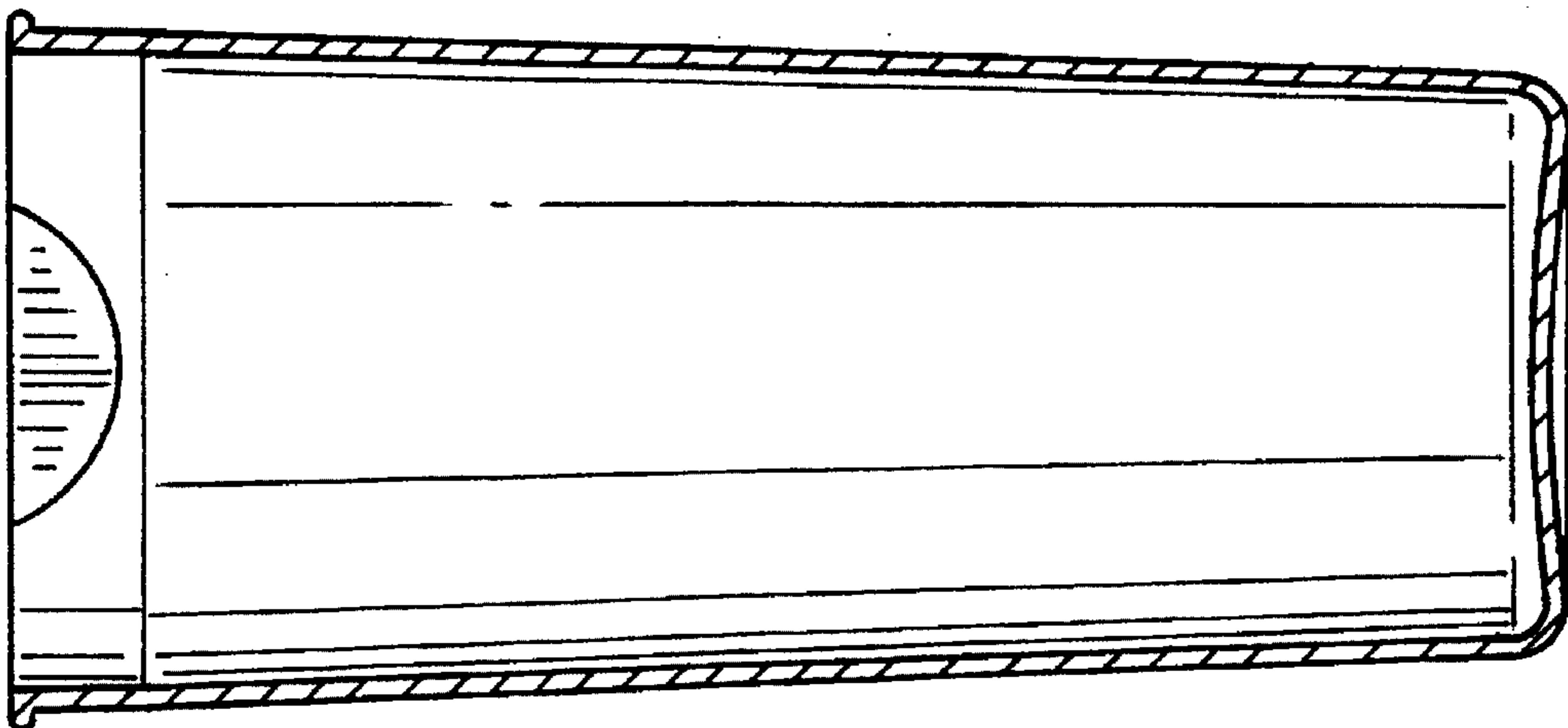


FIG. 8