



US00D379731S

# United States Patent [19]

[11] Patent Number: Des. 379,731

Bond et al.

[45] Date of Patent: \*\*\*Jun. 10, 1997

## [54] DISC SUPPORT STRUCTURE

[75] Inventors: **Charles F. Bond**, Lake Worth, Fla.;  
**Tracy L. Kassera**, Plymouth; **Keith W. Lockwood**, Minneapolis, both of Minn.

[73] Assignee: **Slash Corporation**, Edina, Minn.

[\*] Notice: The portion of the term of this patent subsequent to Sep. 12, 2009, has been disclaimed.

[\*\*] Term: **14 Years**

[21] Appl. No.: **36,587**

[22] Filed: **Mar. 23, 1995**

### Related U.S. Application Data

[63] Continuation-in-part of Ser. No. 28,629, Oct. 5, 1994, Pat. No. Des. 362,149.

[51] LOC (6) Cl. .... **06-04**

[52] U.S. Cl. .... **D6/629; D6/407**

[58] Field of Search ..... D6/396, 405, 407, D6/462, 466, 467, 477, 468, 479, 629, 626, 630; D19/75, 76, 91, 27, 8; D14/120, 121; 211/40, 41, 42; 312/9.1; 206/387.1, 387.11-387.15, 307.1, 308.1-308.3

### [56] References Cited

#### U.S. PATENT DOCUMENTS

D. 339,706	9/1993	Marostica .....	D6/571
D. 362,149	9/1995	Bond et al. ....	D6/629
1,303,299	5/1919	Hahl .....	211/40
1,420,004	6/1922	Weide .....	206/309
2,354,872	8/1944	Mitnick .....	211/40
3,009,622	11/1961	Leone .....	229/16
3,556,620	1/1971	Gutierrez .....	312/136
3,927,761	12/1975	Boyle .....	206/45.14
4,293,075	10/1981	Veralrud .....	211/40
4,307,809	12/1981	Haswell .....	211/40

4,320,591	3/1982	Dorman .....	40/398
4,538,730	9/1985	Wu .....	206/444
4,588,086	5/1986	Coe .....	206/444
4,627,535	12/1986	Kirchner et al. ....	206/387
4,676,372	6/1987	Rager .....	206/45.23
4,676,374	6/1987	Wilkins .....	206/444
4,776,457	10/1988	Ferraroni .....	206/45.23
4,778,047	10/1988	Lay .....	206/44 B
4,883,171	11/1989	Carlton .....	206/315.11
4,889,244	12/1989	Hehn et al. ....	211/41
5,114,014	5/1992	Ascalon et al. ....	206/445 X
5,148,942	9/1992	Snook .....	220/533
5,307,926	5/1994	Mee .....	206/311

Primary Examiner—Jeffrey Asch

Attorney, Agent, or Firm—Mueting, Raasch, Gebhardt & Schwappach, P.A.

### [57] CLAIM

The ornamental design for a “disc support structure”, as shown and described.

### DESCRIPTION

FIG. 1 is a view in perspective as seen from the top, front, and one side, showing our new design;

FIG. 2 is a view in perspective as seen from the front, side and bottom of the disc support structure of FIG. 1;

FIG. 3 is a view in top plan of the disc support structure of FIG. 1;

FIG. 4 is a side elevation as seen from the side in FIG. 1;

FIG. 5 is a view in bottom plan of the disc support structure of FIG. 1;

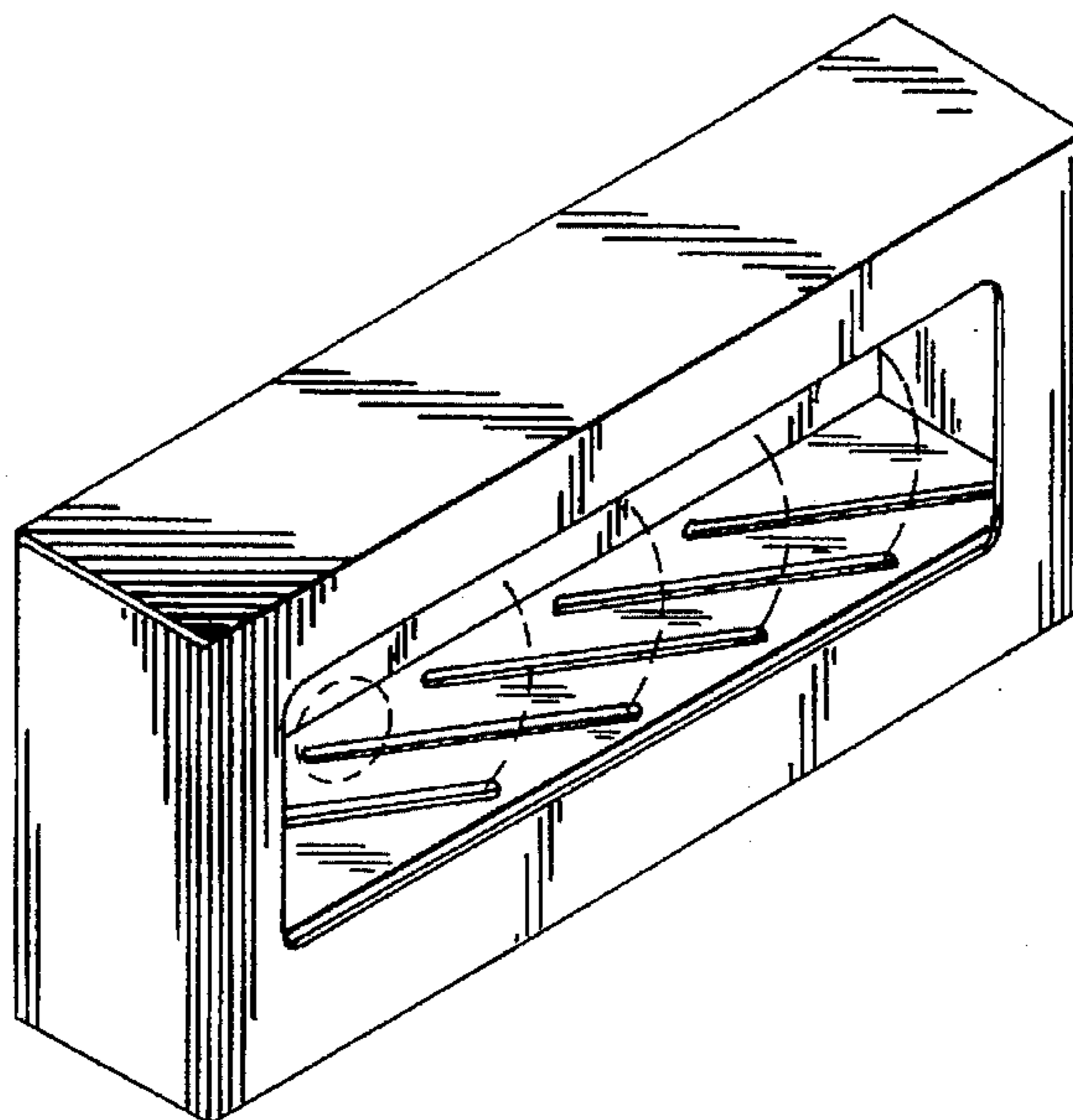
FIG. 6 is a side elevation as seen from a side opposite FIG. 4;

FIG. 7 is a front plan of the disc support structure of FIG. 1; and,

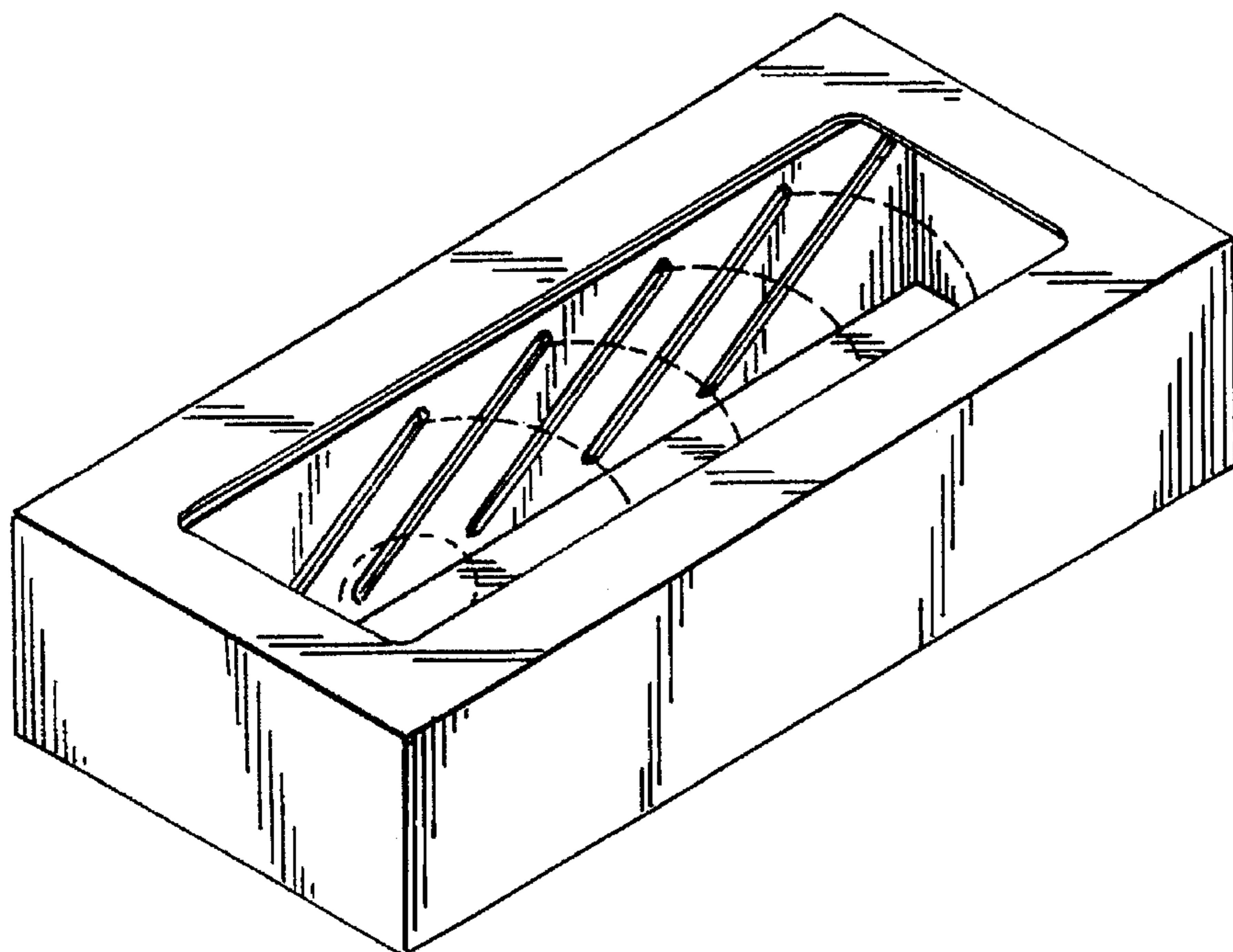
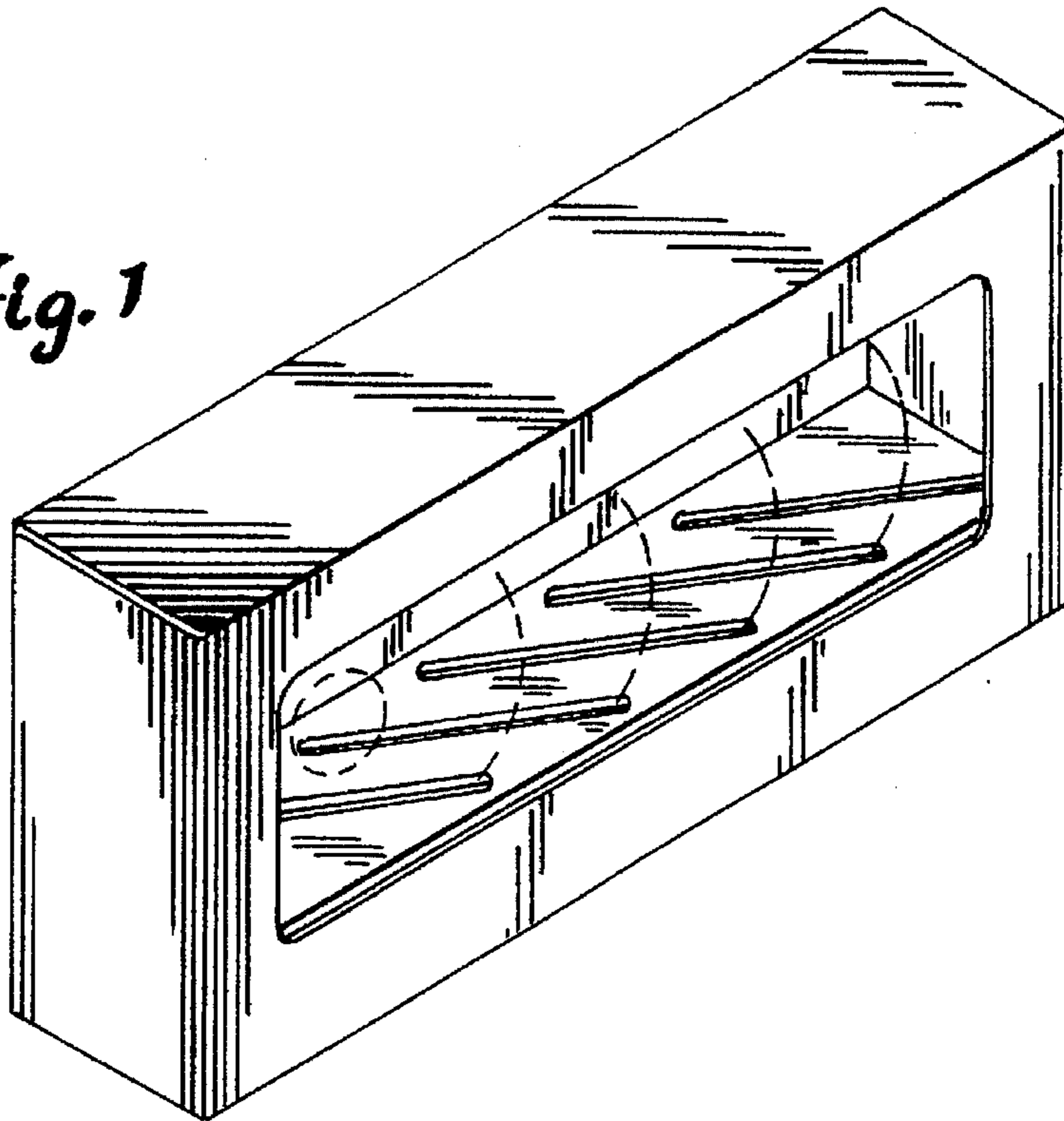
FIG. 8 is a rear plan of the disc support structure of FIG. 1.

The broken line showing CD's in FIGS. 1, 2 and 7 is for illustrative purposes only and forms no part of the claimed design.

1 Claim, 3 Drawing Sheets

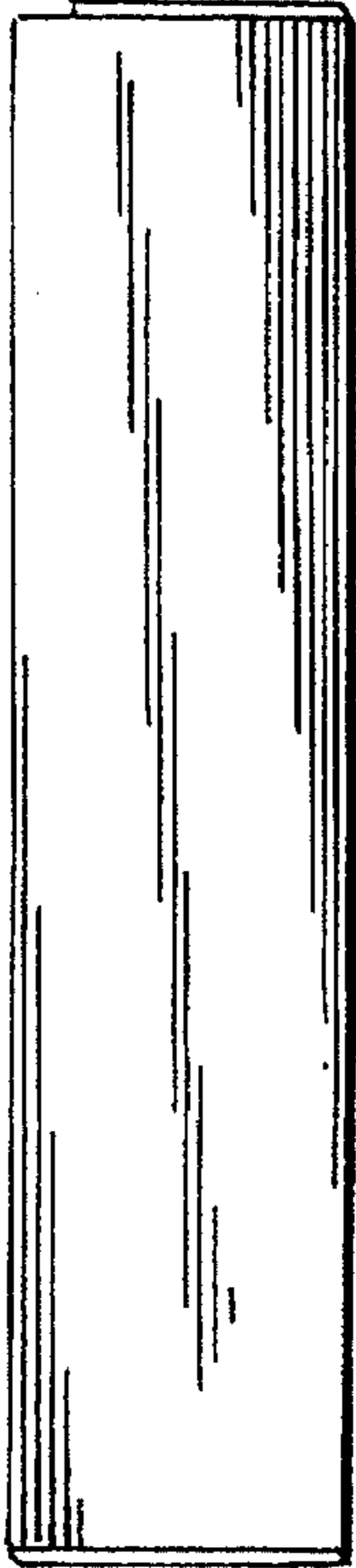


*Fig. 1*

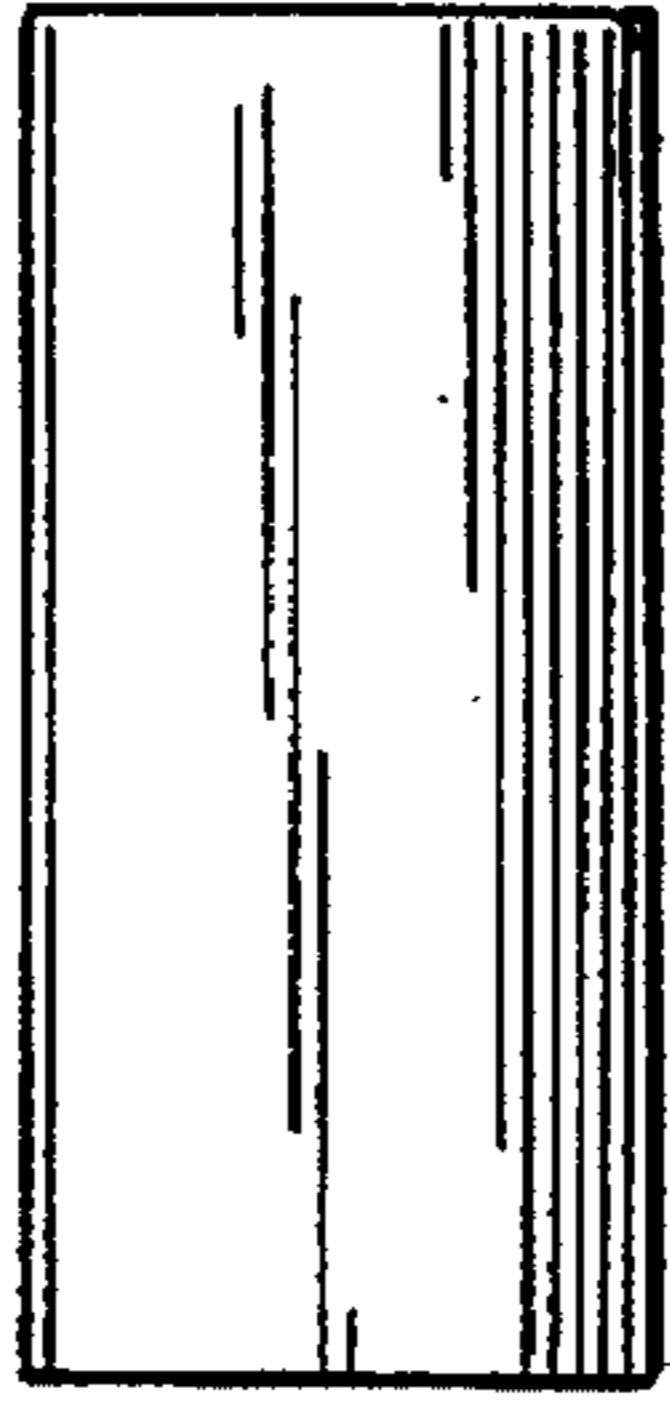


*Fig. 2*

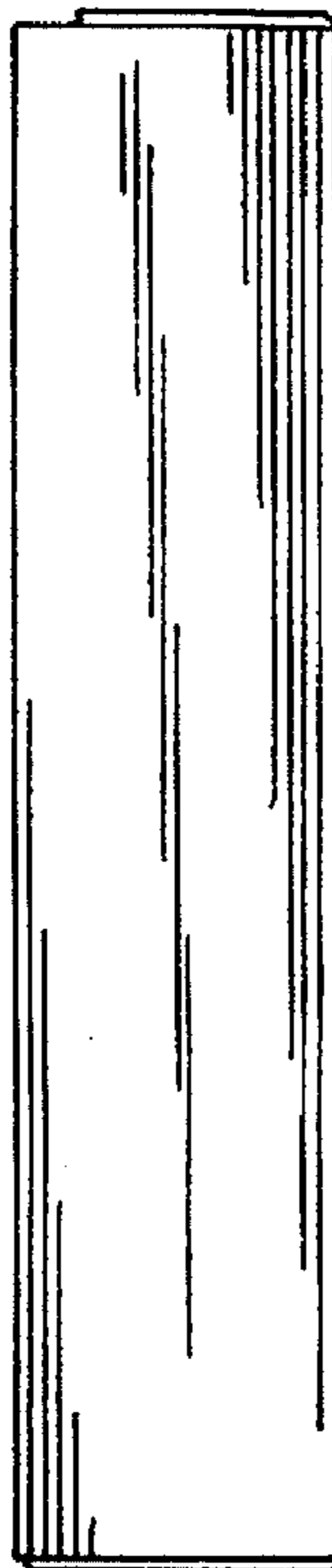
*Fig. 3*



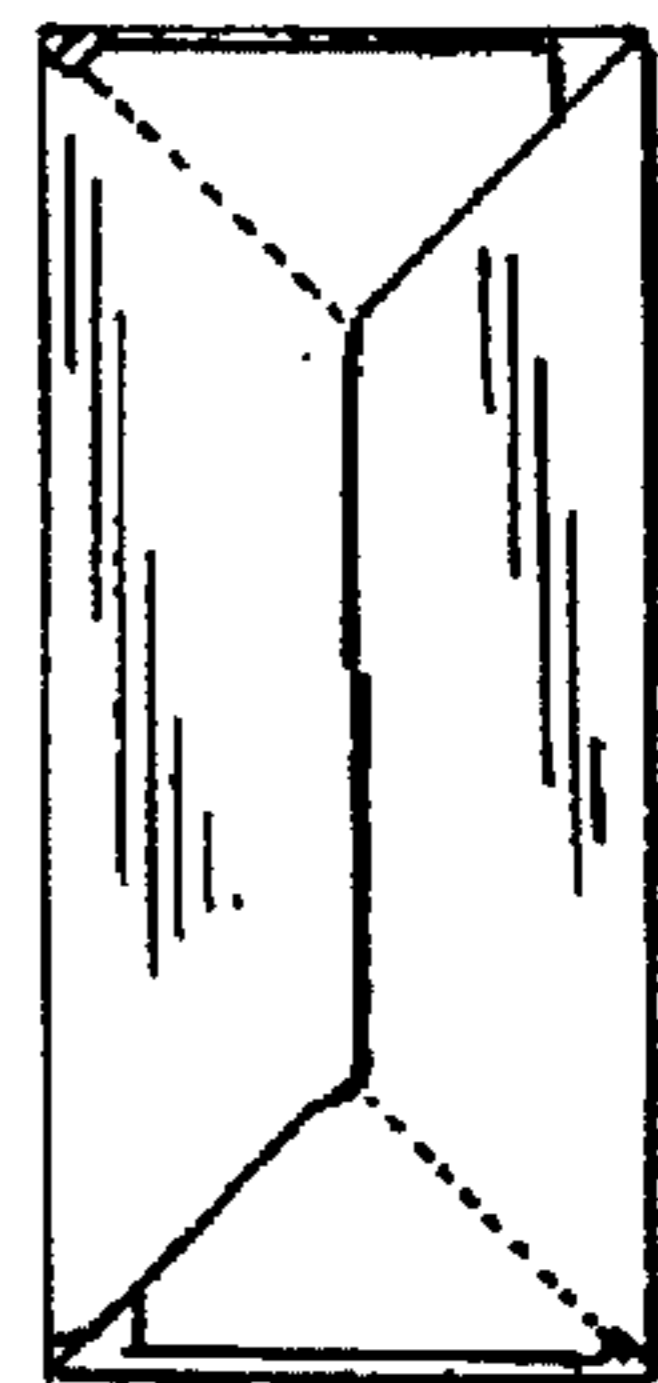
*Fig. 4*



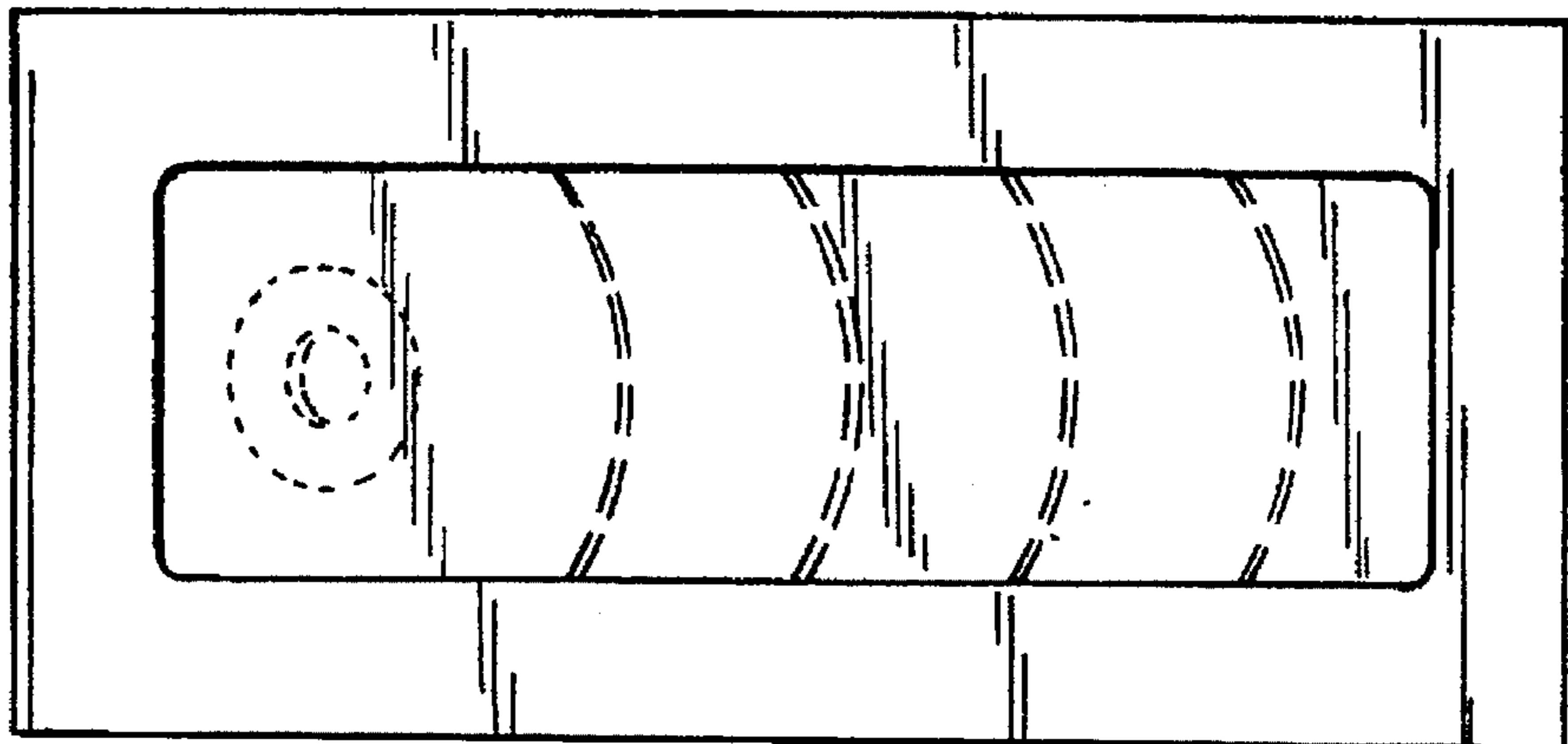
*Fig. 5*



*Fig. 6*



*Fig. 7*



*Fig. 8*

