



US00D379727S

United States Patent [19]

Rylen

[11] Patent Number: **Des. 379,727**

[45] Date of Patent: ****Jun. 10, 1997**

[54] **PATIO TABLE FOR STORING CONDIMENTS AND FOR STORING OTHER SIMILAR ARTICLES**

[76] Inventor: **Louis E. Rylen, 7336 Little Oaks Way, Citrus Heights, Calif. 95621-4224**

[**] Term: **14 Years**

[21] Appl. No.: **42,168**

[22] Filed: **Aug. 2, 1995**

[51] LOC (6) Cl. **06-03**

[52] U.S. Cl. **D6/511**

[58] Field of Search D6/511; 108/27, 108/50, 90, 93, 94; 211/107, 131, 144, 163; 135/15.1, 16, 19.5, 96, 98, 99; 220/23.4

[56] **References Cited**

U.S. PATENT DOCUMENTS

D. 276,019	10/1984	Koustis	D7/74
D. 291,635	9/1987	Dickman	D6/511 X
D. 311,829	11/1990	Vossougli	26/418
D. 343,079	1/1994	Wagener	D6/480
2,805,109	9/1957	Kopmar	D6/511 X
3,951,079	4/1976	Tolleson	108/94
4,036,150	7/1977	Algier	108/50

5,322,023	6/1994	Hammond	108/50
5,335,803	8/1994	O'Brien et al.	108/50 X

Primary Examiner—B. J. Bullock
Assistant Examiner—Linda Brooks
Attorney, Agent, or Firm—John D. Gugliotta

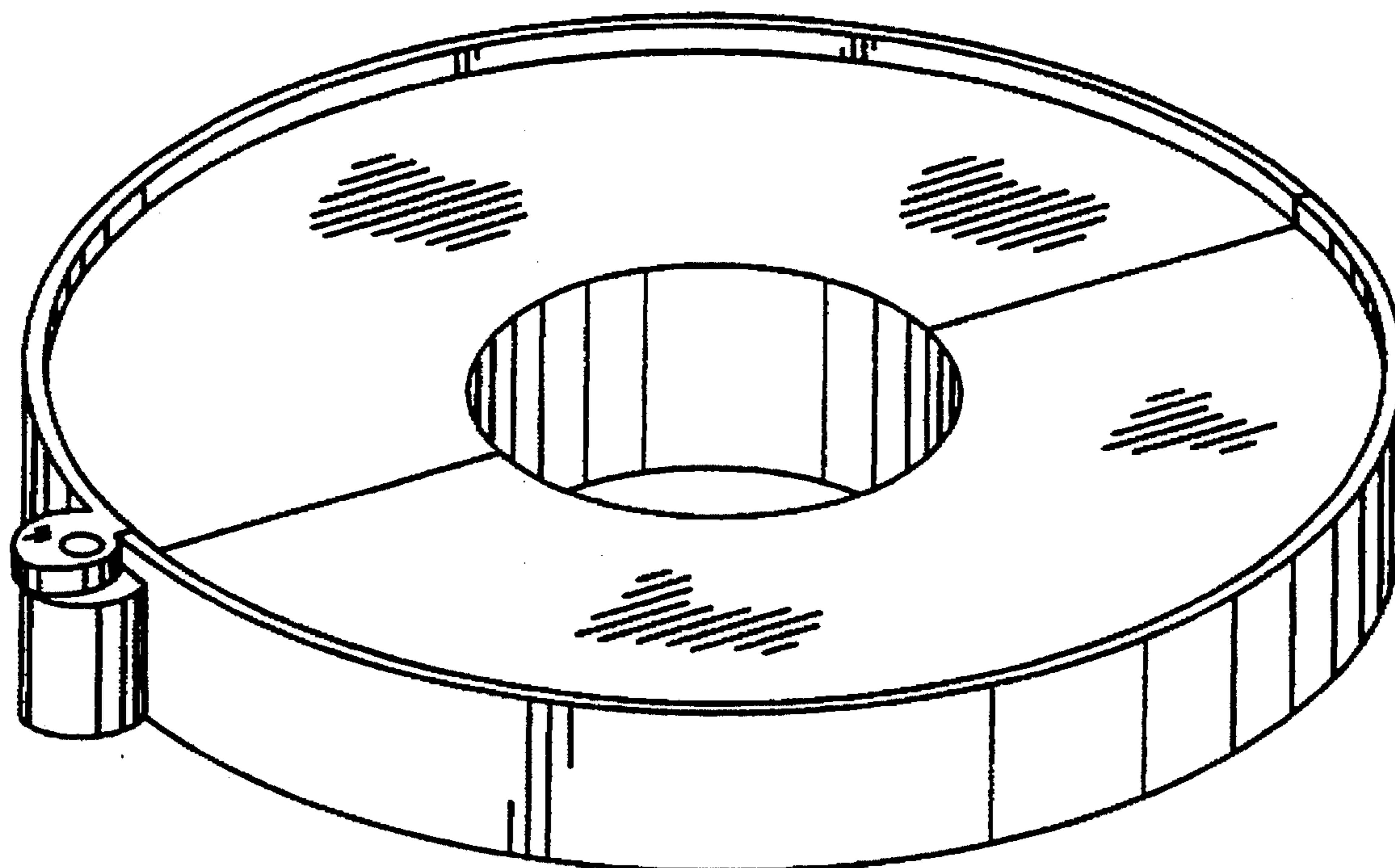
[57] **CLAIM**

The ornamental design for a patio table tray for storing condiments and for storing other similar articles, as shown and described.

DESCRIPTION

FIG. 1 is a top, rear and rightside perspective view of a patio table tray for storing condiments and for storing other similar articles showing my new design;
FIG. 2 is a top and side perspective view thereof depicting the invention in an opened configuration;
FIG. 3 is a bottom and side perspective view thereof also depicting the invention in an opened configuration;
FIG. 4 is a rear side elevation view of FIG. 1;
FIG. 5 is a front side elevation thereof;
FIG. 6 is a right side elevation thereof; and
FIG. 7 is a top plan thereof; and
FIG. 8 is a bottom plan thereof.

1 Claim, 3 Drawing Sheets



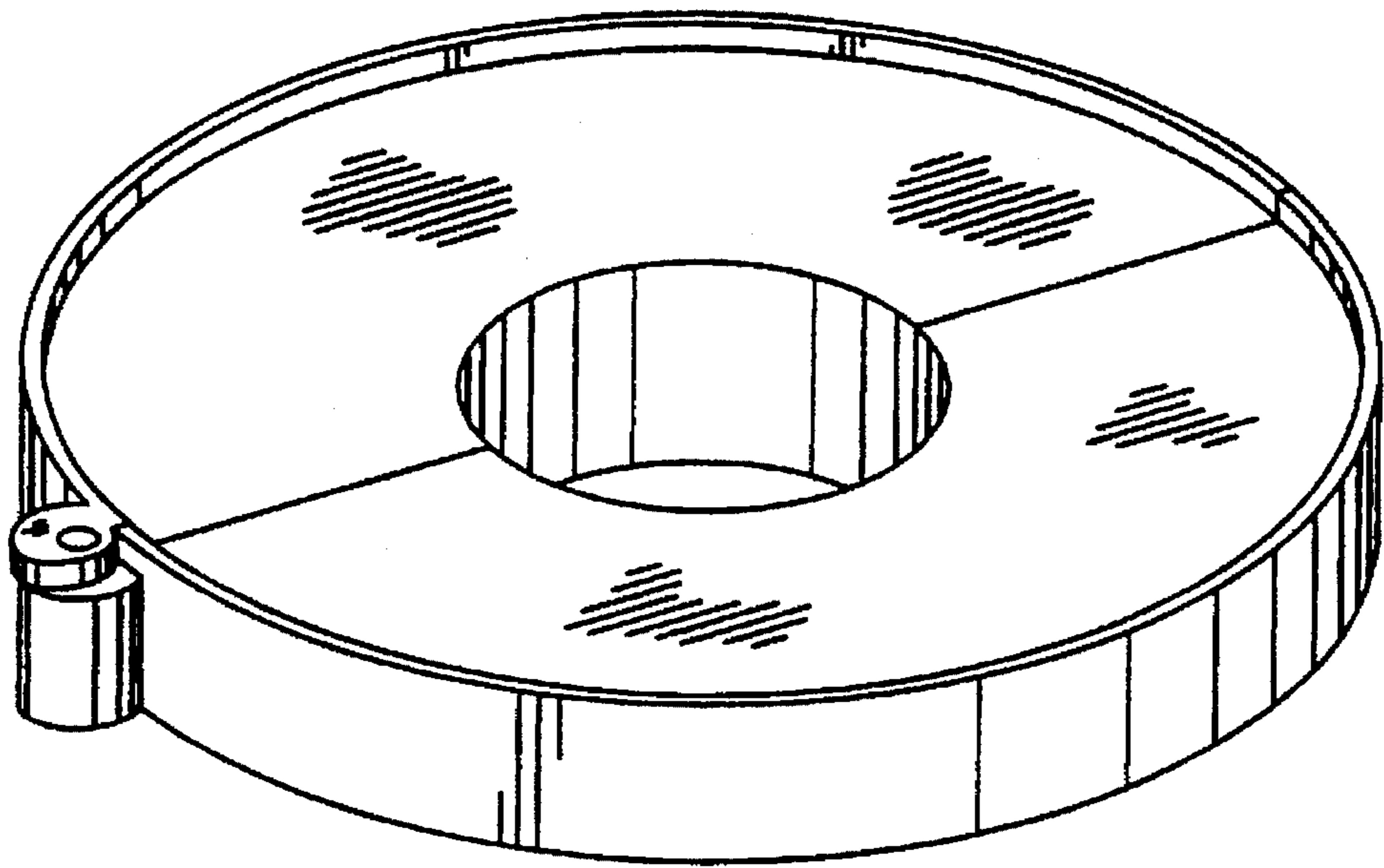


Fig. 1

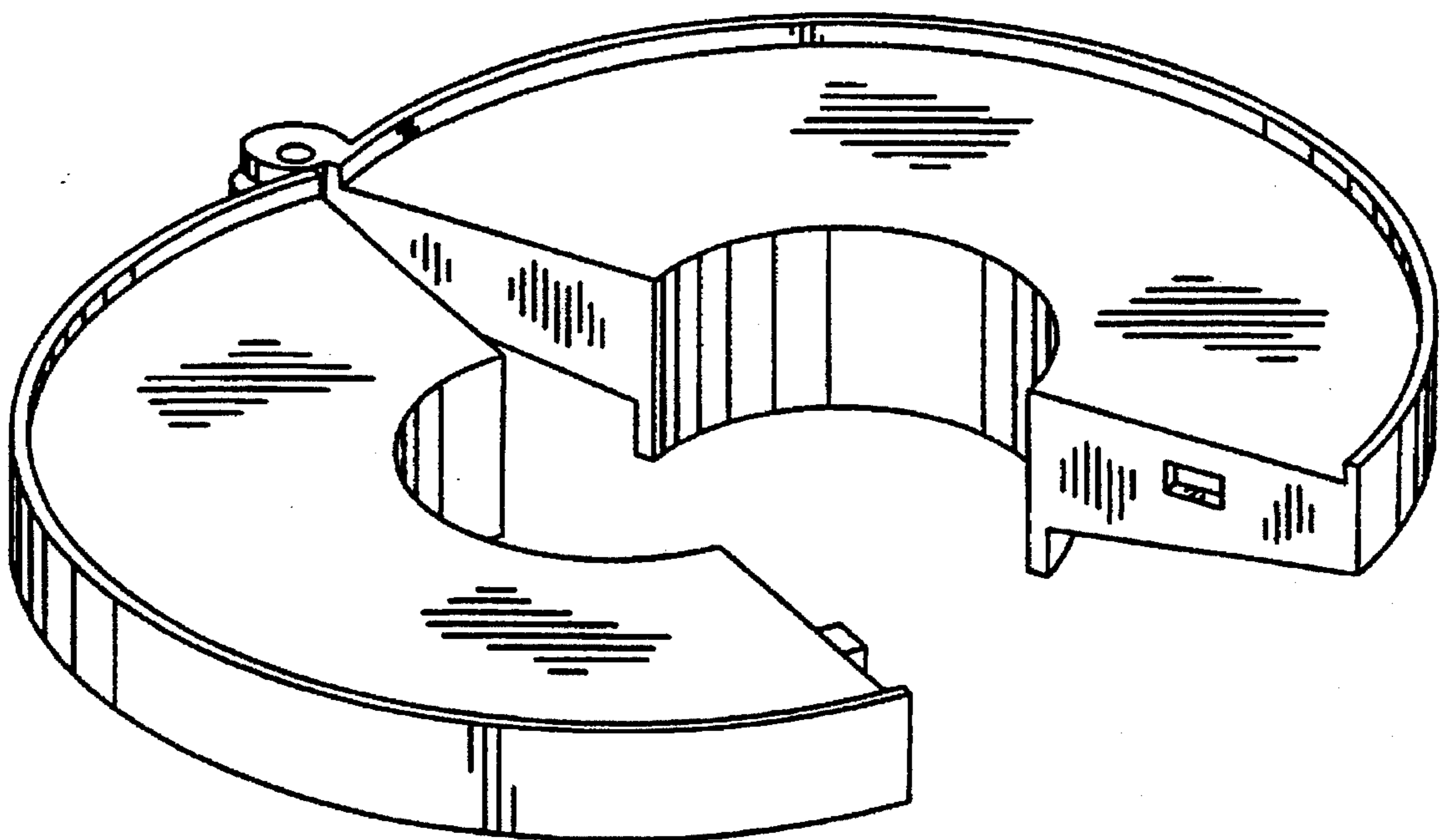


Fig. 2

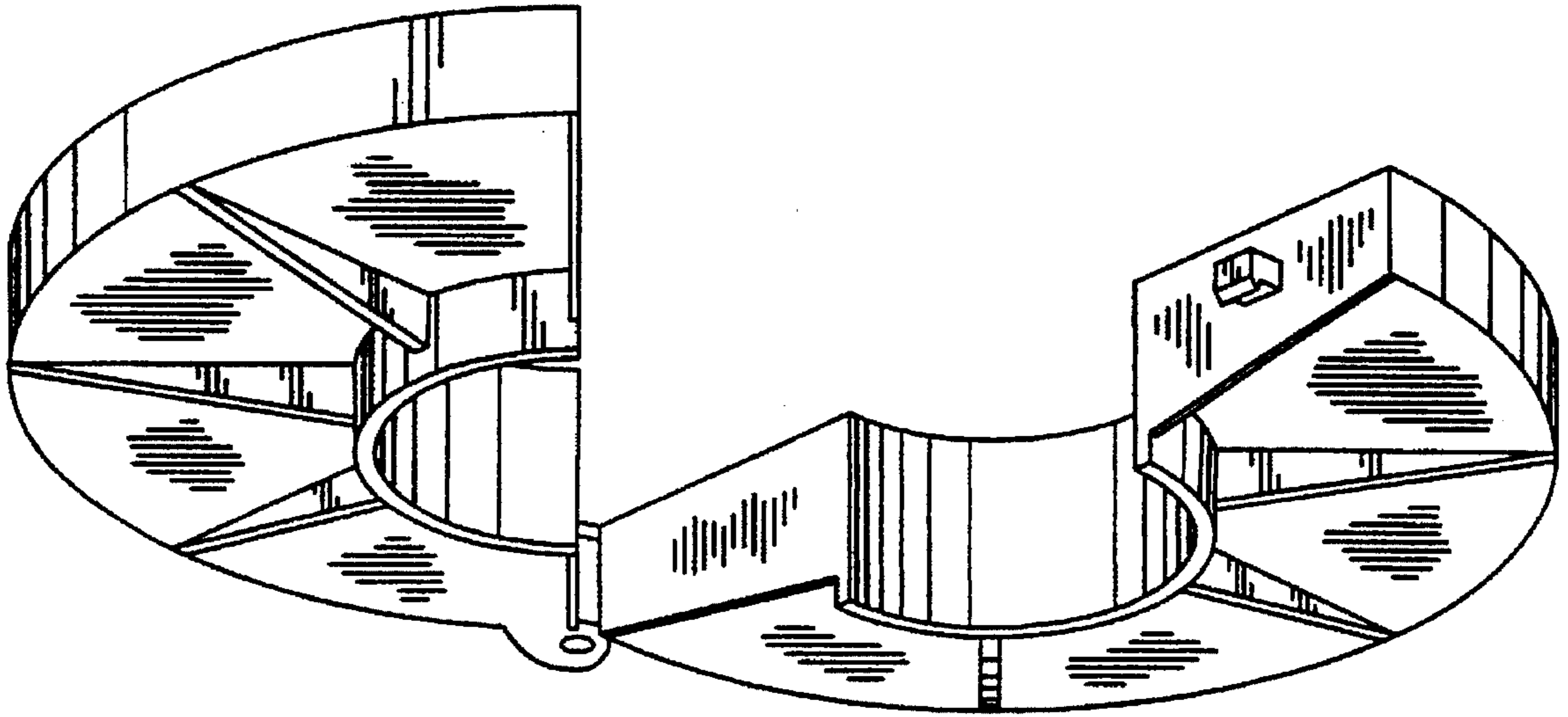


Fig. 3

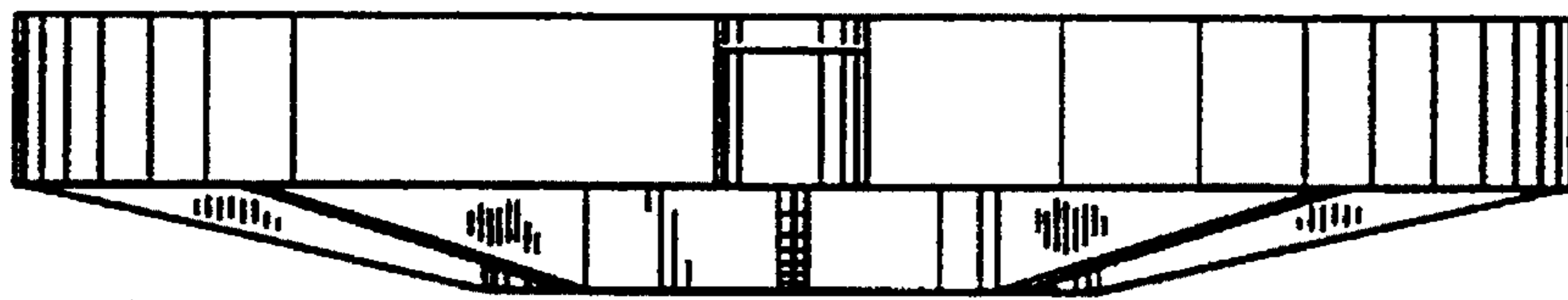


Fig. 4

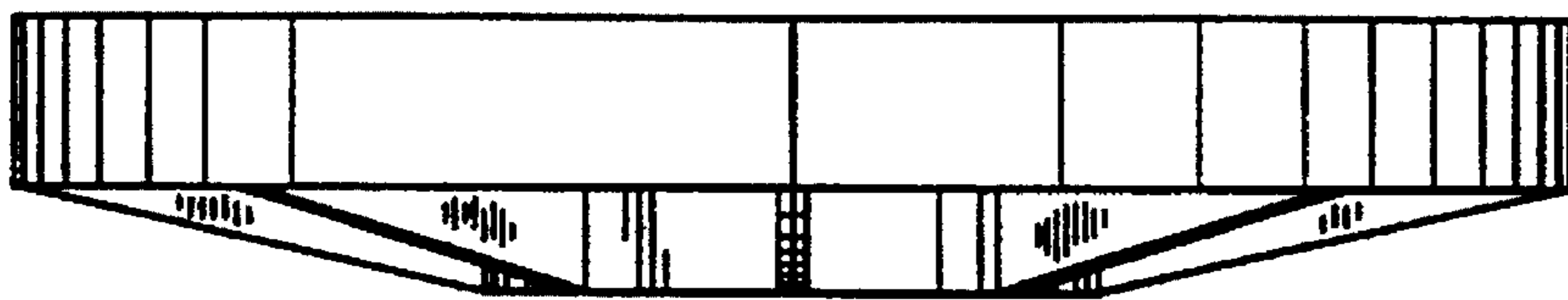


Fig. 5

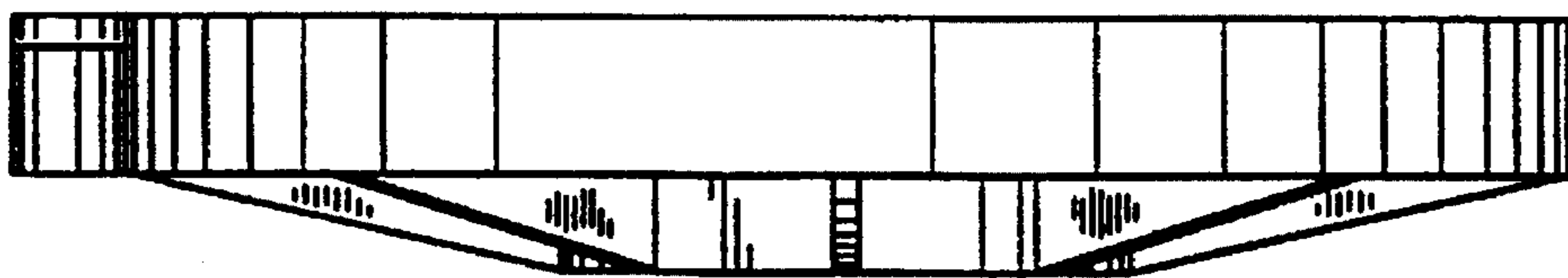


Fig. 6

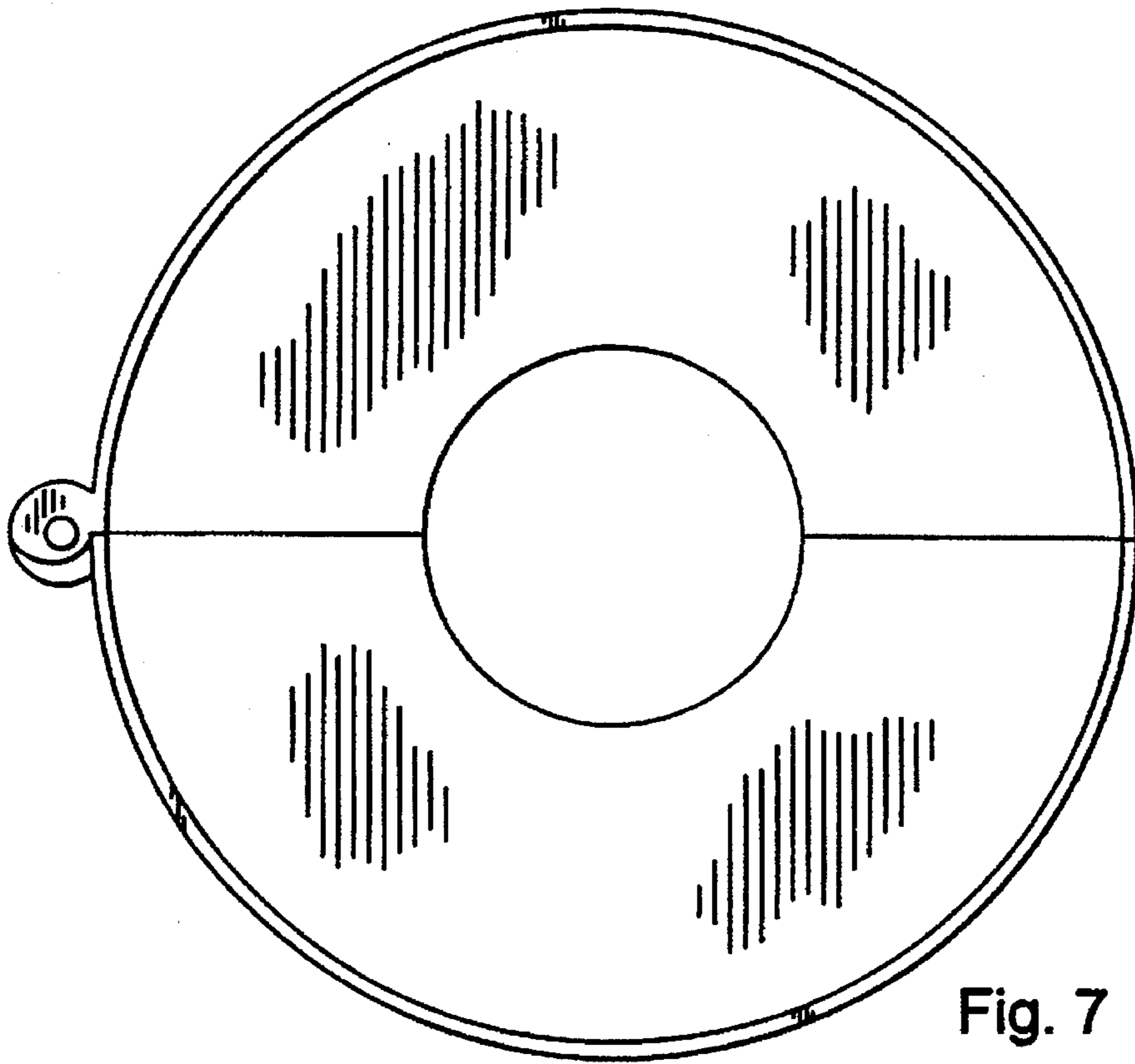


Fig. 7

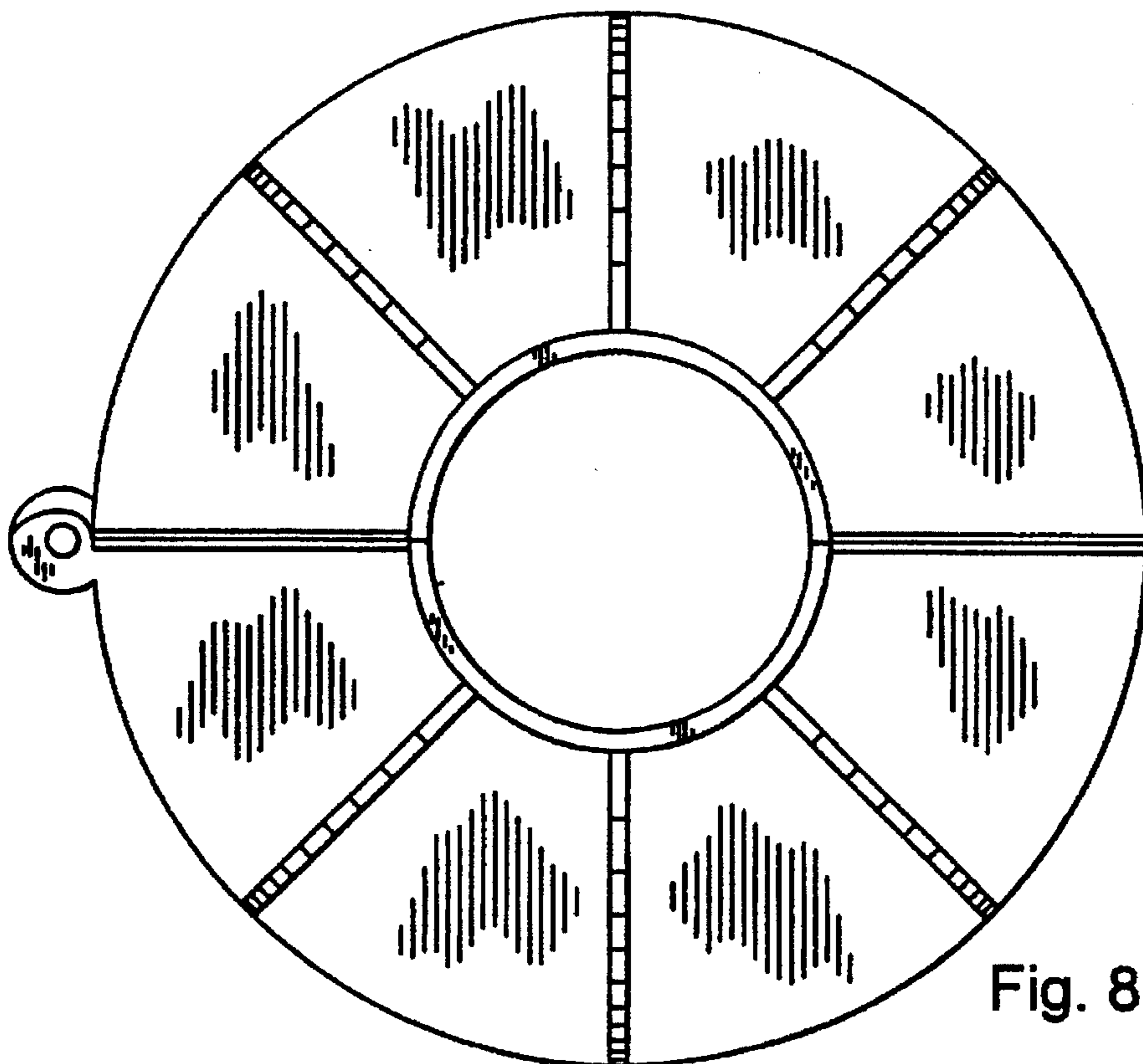


Fig. 8