



US00D379726S

United States Patent [19]

Vassallo

[11] Patent Number: **Des. 379,726**

[45] Date of Patent: ****Jun. 10, 1997**

[54] **WHEELED BASE FOR CHAIRS,
ARMCHAIRS, TABLES, COAT-STANDS**

D. 210,786	4/1968	Rodin	D6/415
D. 319,159	8/1991	Sibersky et al.	D6/498
D. 366,169	1/1996	Huang	D6/498

[75] Inventor: **Alessandro Vassallo**, Padova, Italy

[73] Assignee: **Cazzaro S.p.A.**, Padova, Italy

[**] Term: **14 Years**

Primary Examiner—Janice E. Seeger
Attorney, Agent, or Firm—Guido Modiano; Albert Josif

[21] Appl. No.: **52,031**

[22] Filed: **Mar. 21, 1996**

[30] **Foreign Application Priority Data**

Sep. 25, 1995 [IT] Italy PD50 000038

[51] LOC (6) Cl. **06-06**

[52] U.S. Cl. **D6/495; D6/498; D6/499**

[58] Field of Search D6/495, 496, 498,
D6/499, 366, 415; 248/188.7, 431

[57] **CLAIM**

The ornamental design for the wheeled base for chairs, armchairs, tables, coat-stands, as shown and described.

DESCRIPTION

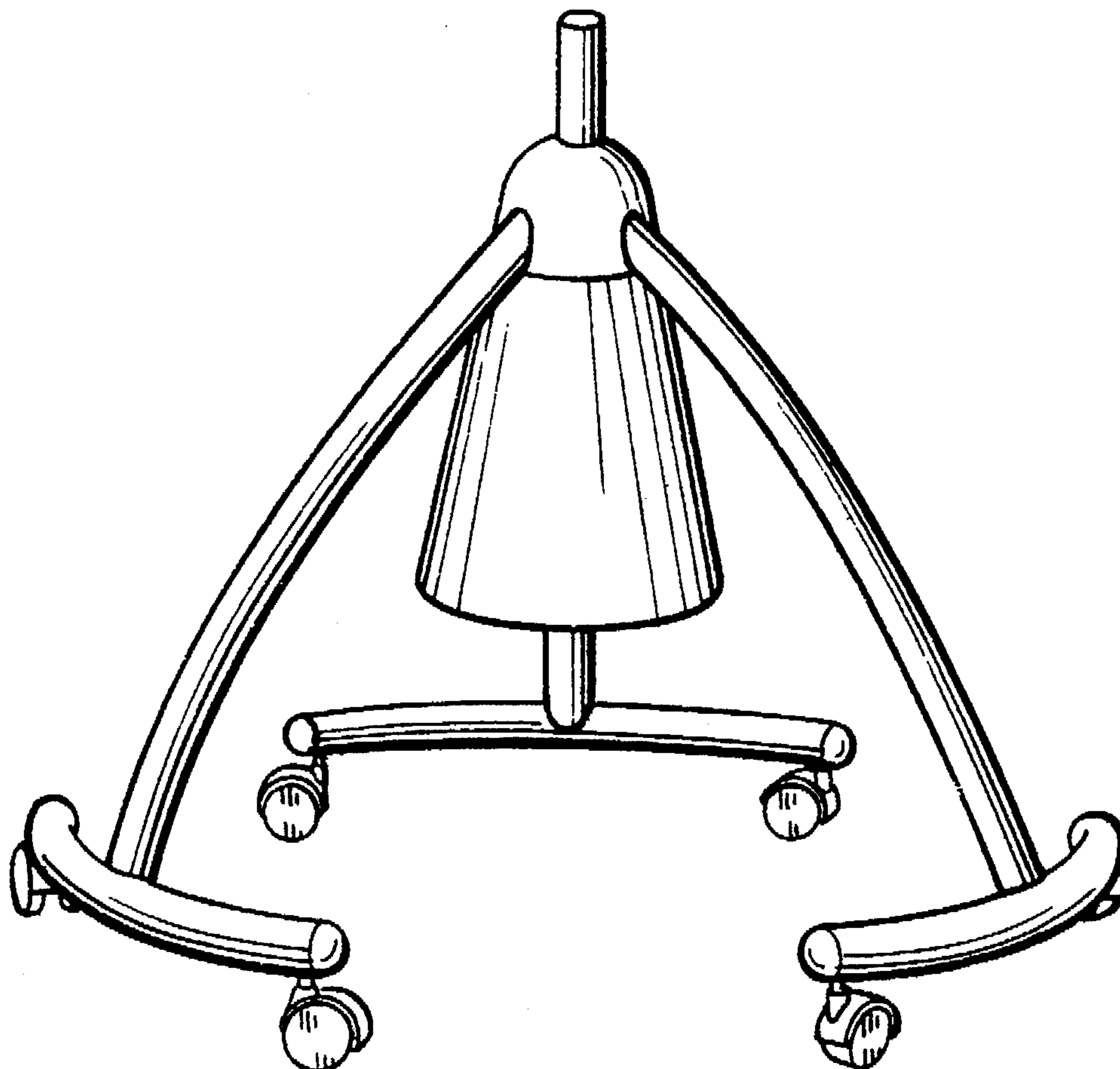
FIG. 1 is a perspective view of wheeled base for chairs, armchairs, tables, coat-stands showing my new design; FIG. 2 is a lateral view from one side; FIG. 3 is a lateral view from the other side; FIG. 4 is a front view; FIG. 5 is a rear view; FIG. 6 is a top plan view; and, FIG. 7 is a bottom plan view.

[56] **References Cited**

U.S. PATENT DOCUMENTS

7,291 4/1850 Ripley 248/188.7

1 Claim, 4 Drawing Sheets



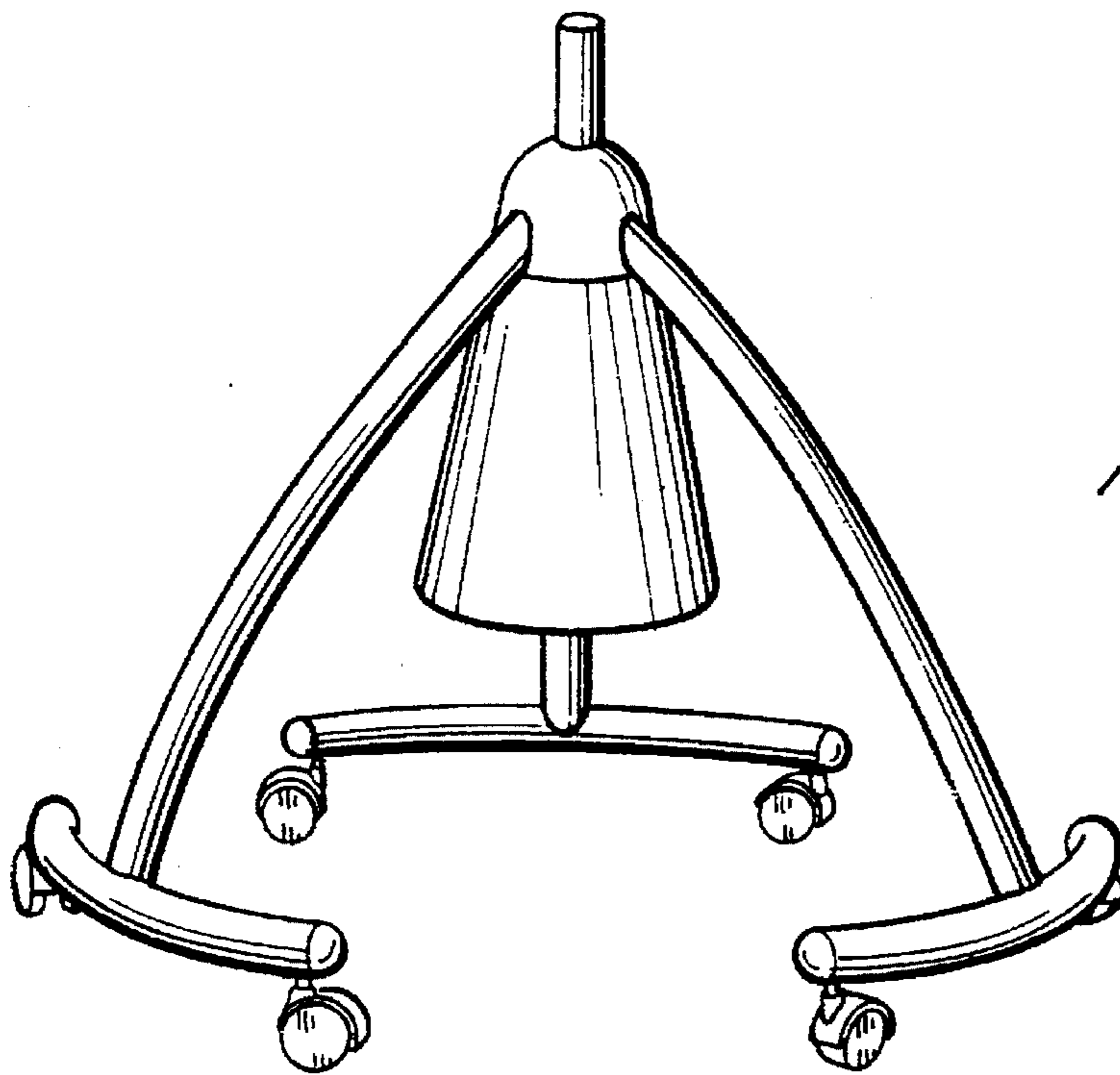
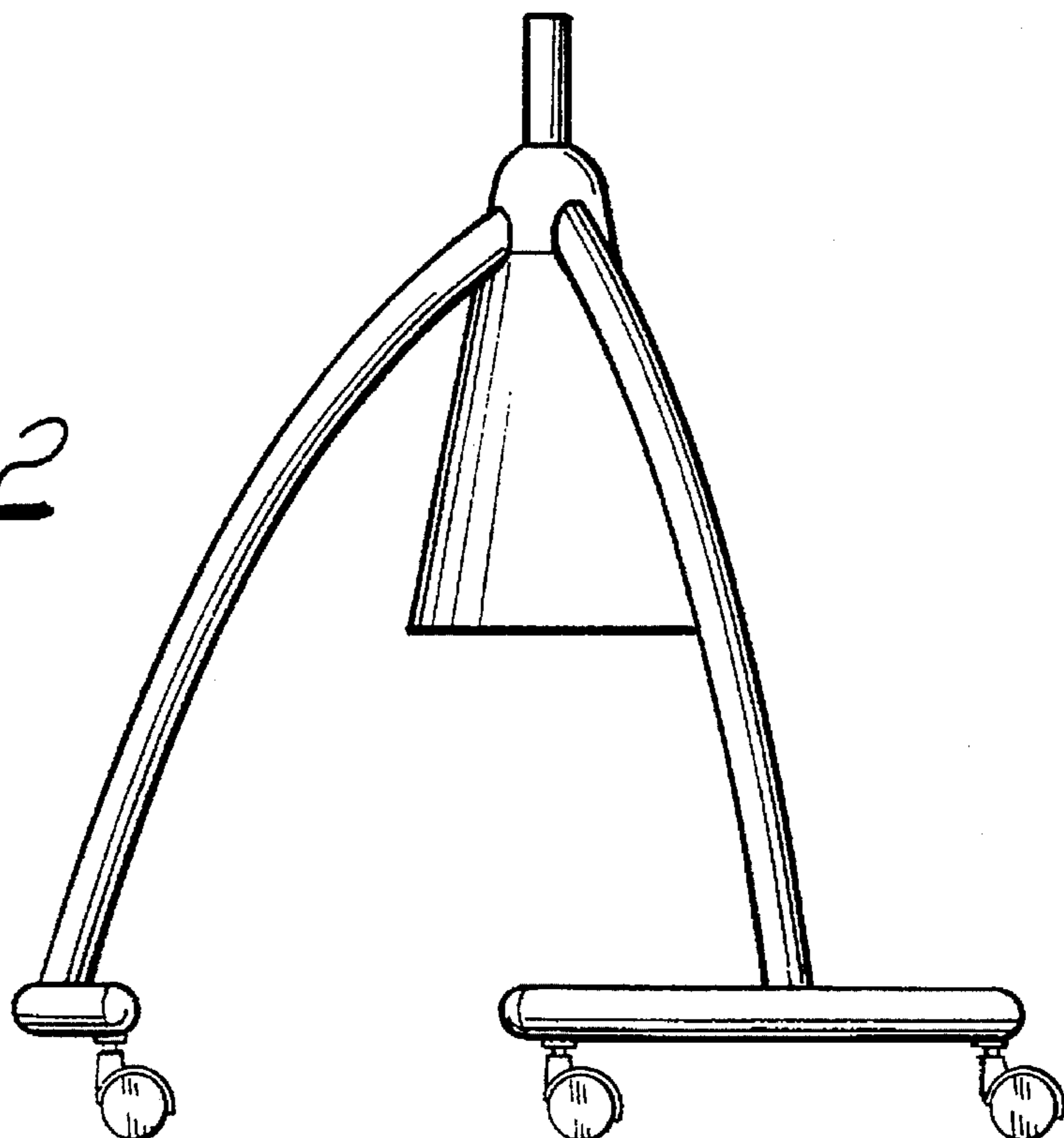


FIG. 1

FIG. 2



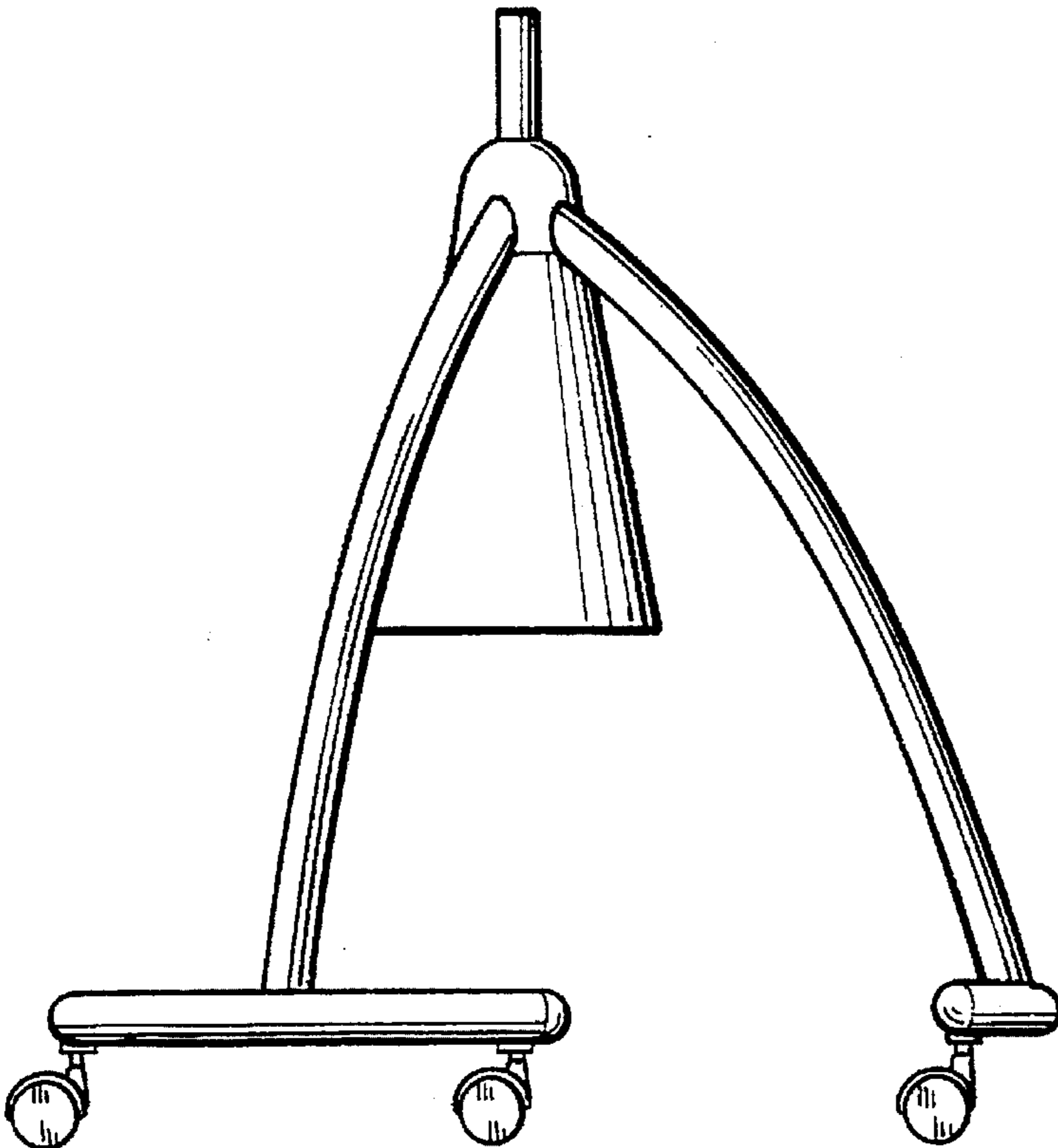
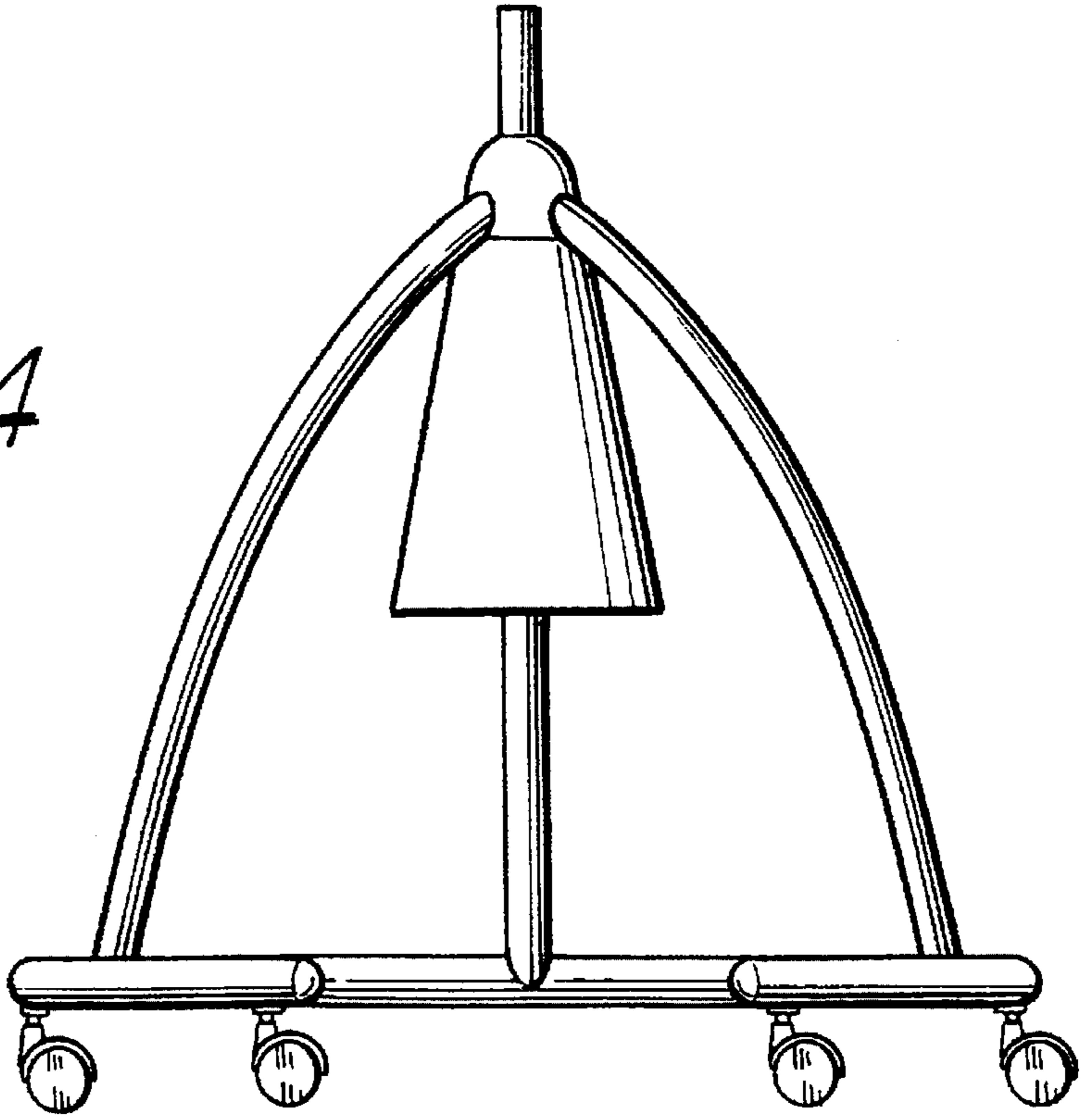


FIG. 3

FIG. 4



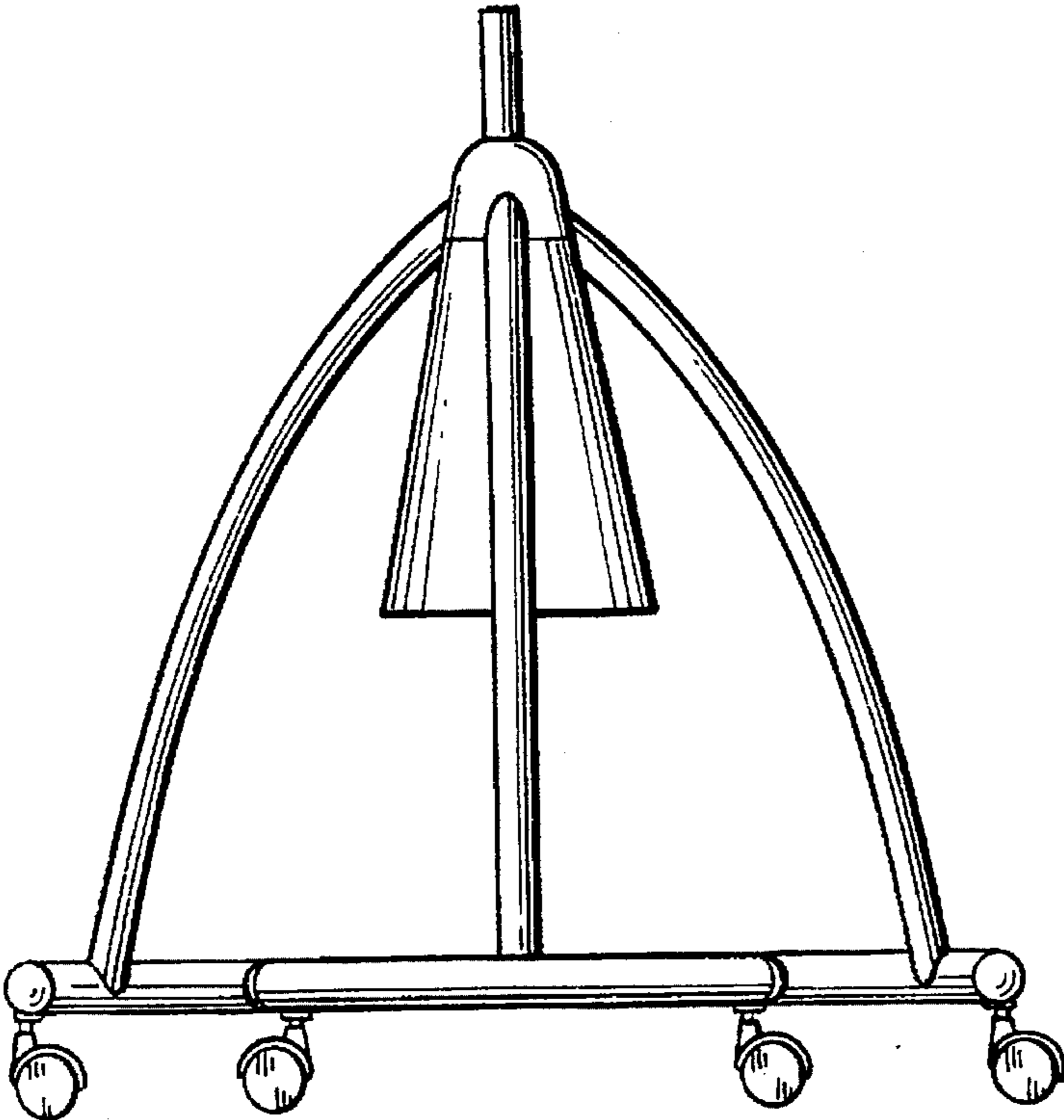


FIG. 5

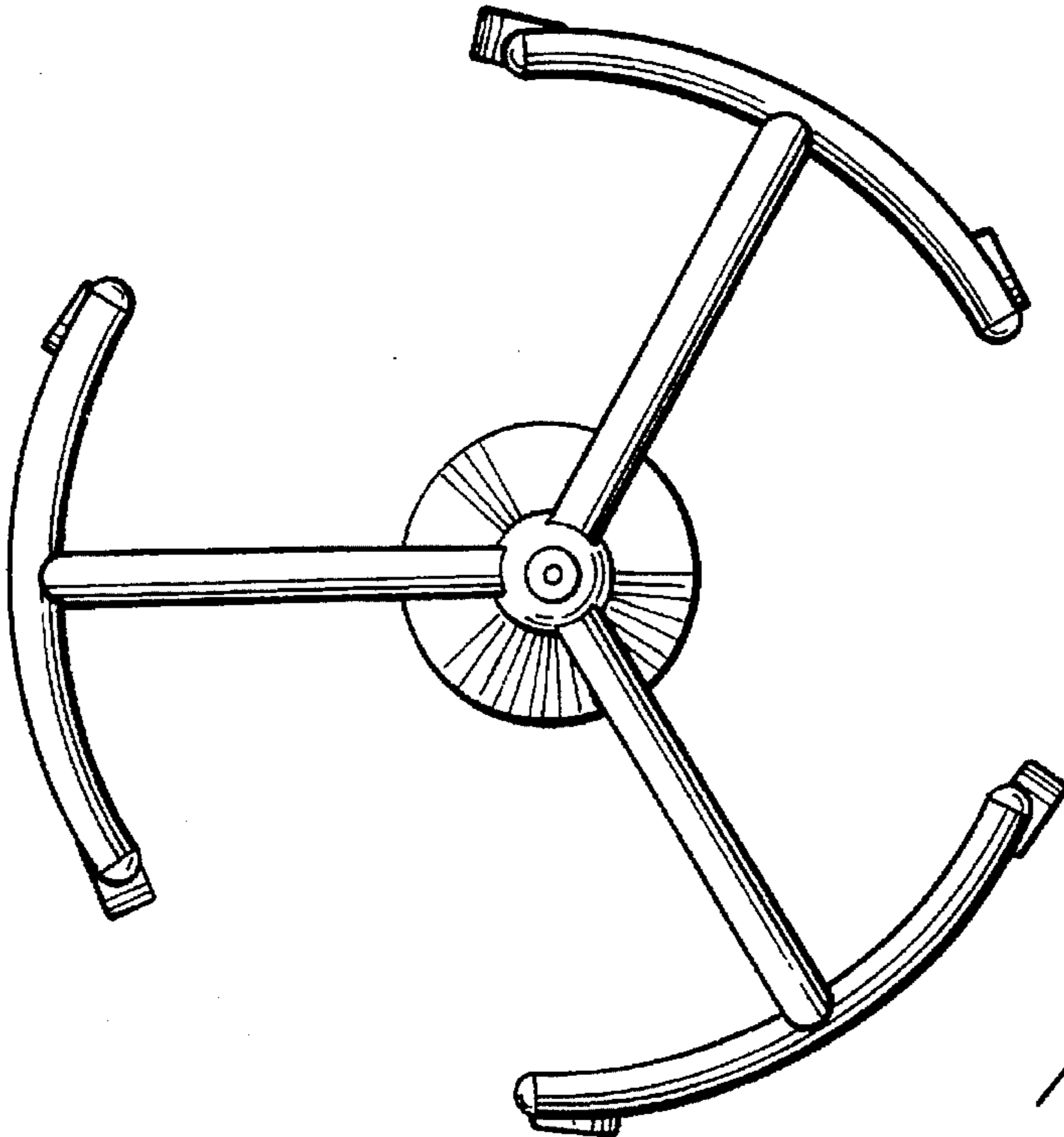


FIG. 6

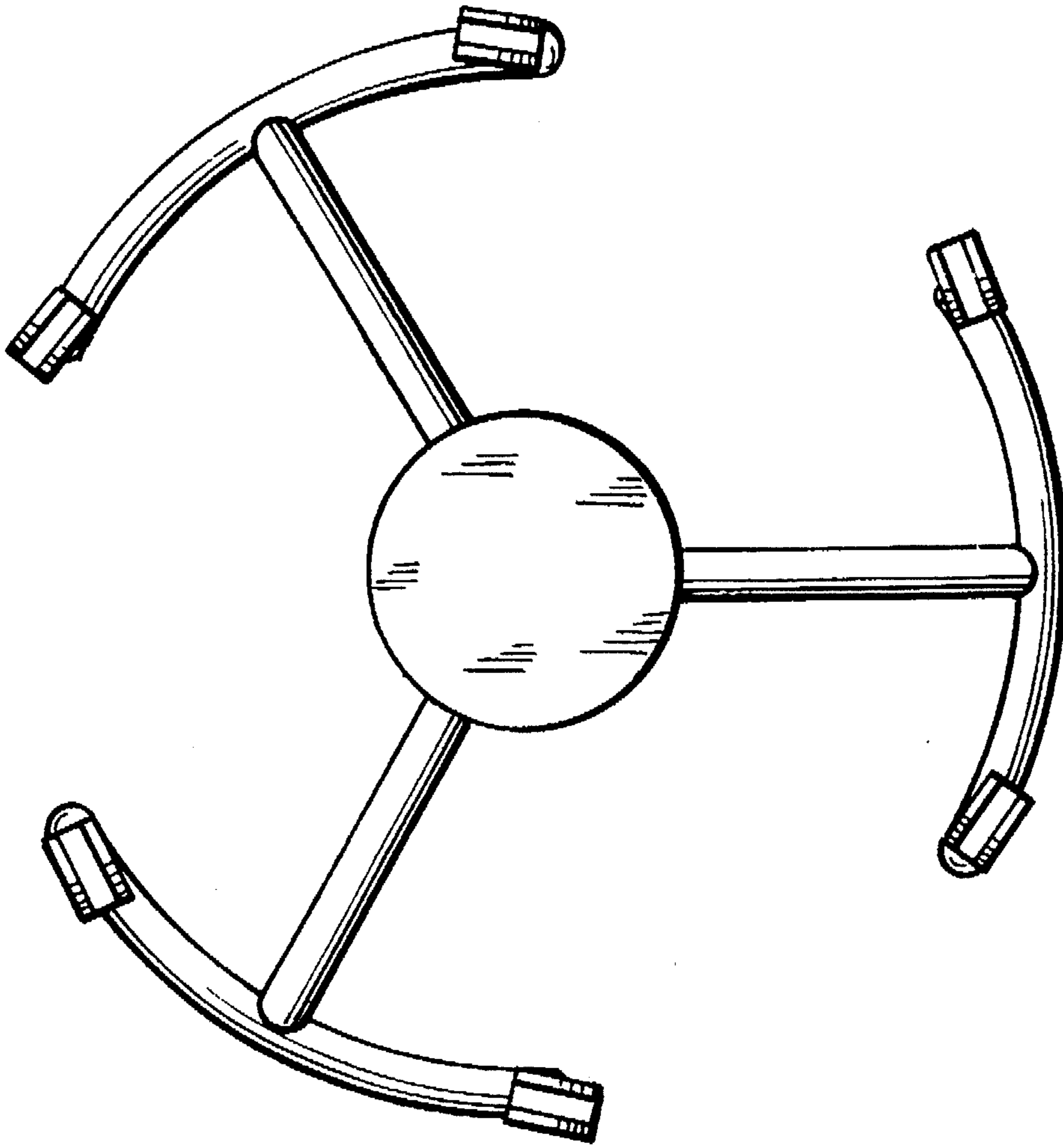


FIG. 7