



US00D379724S

United States Patent [19]

[11] **Patent Number:** **Des. 379,724**

Lo

[45] **Date of Patent:** ****Jun. 10, 1997**

[54] **WOOD BAKER'S RACK**

D. 343,534 1/1994 Holsapple D6/436

[76] **Inventor:** **Wei W. Lo**, No. 14, Lane 177,
Guang-Fu N. Rd., Taipei, Taiwan

Primary Examiner—Janice E. Seeger
Attorney, Agent, or Firm—Pro-Techtor International

[**] **Term:** **14 Years**

[57] **CLAIM**

The ornamental design for a wood baker's rack, as shown and described.

[21] **Appl. No.:** **44,719**

[22] **Filed:** **Sep. 12, 1995**

DESCRIPTION

[51] **LOC (6) Cl.** **06-04**

FIG. 1 is a top, front, right side, perspective view of a wood baker's rack showing my new design;

[52] **U.S. Cl.** **D6/436**

FIG. 2 is a front view thereof on a reduced scale;

[58] **Field of Search** D6/432-448, 464,
D6/465; 108/30, 29; 312/257, 122

FIG. 3 is a rear view thereof on a reduced scale;

FIG. 4 is a left side view thereof on a reduced scale;

FIG. 5 is a right side view thereof on a reduced scale;

FIG. 6 is a top view thereof on a reduced scale; and,

FIG. 7 is a bottom view thereof on a reduced scale.

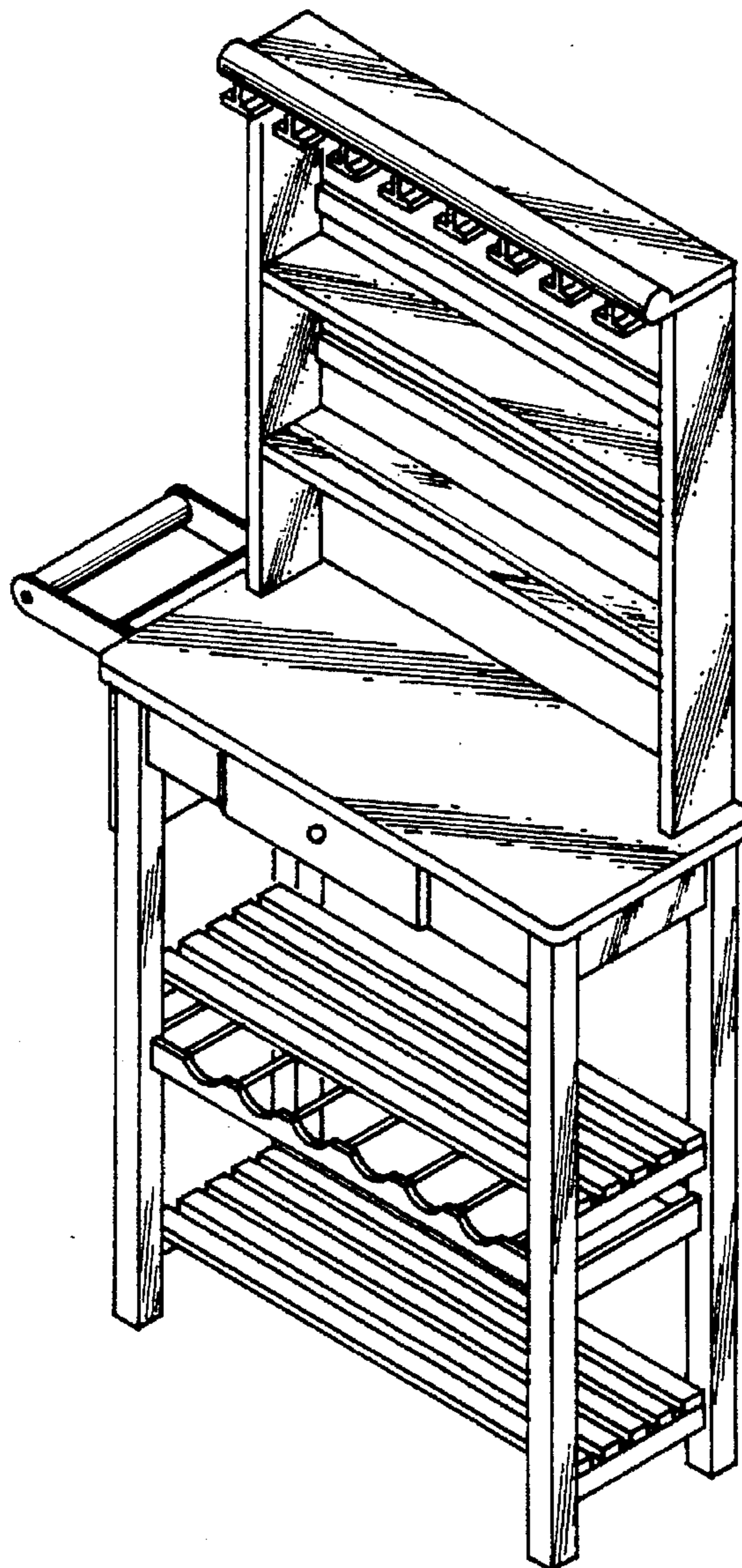
[56] **References Cited**

U.S. PATENT DOCUMENTS

D. 237,931 12/1975 Braudenfels D6/465

D. 248,915 8/1978 Braudenfels D6/480

1 Claim, 4 Drawing Sheets



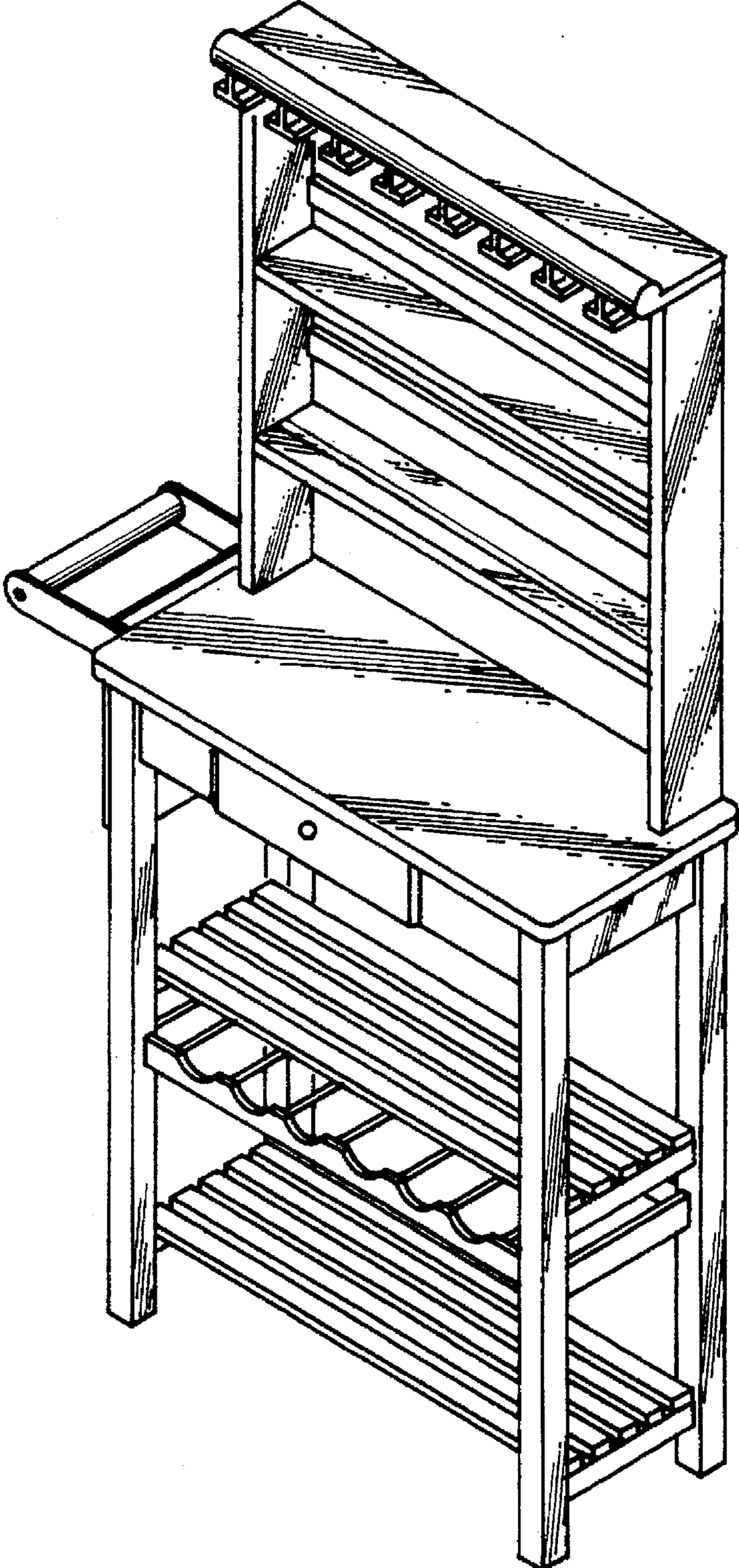


FIG. 1

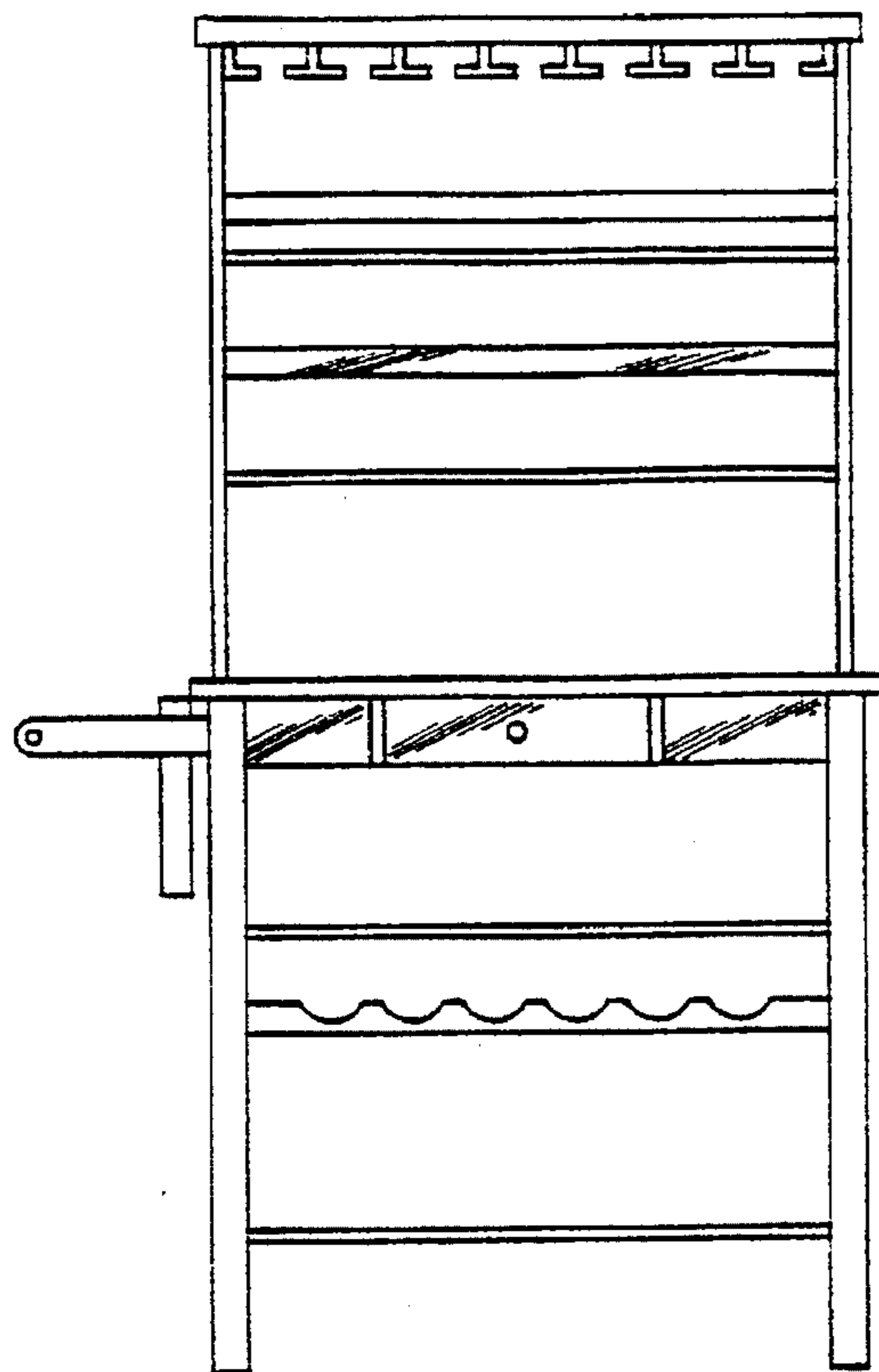


FIG. 2

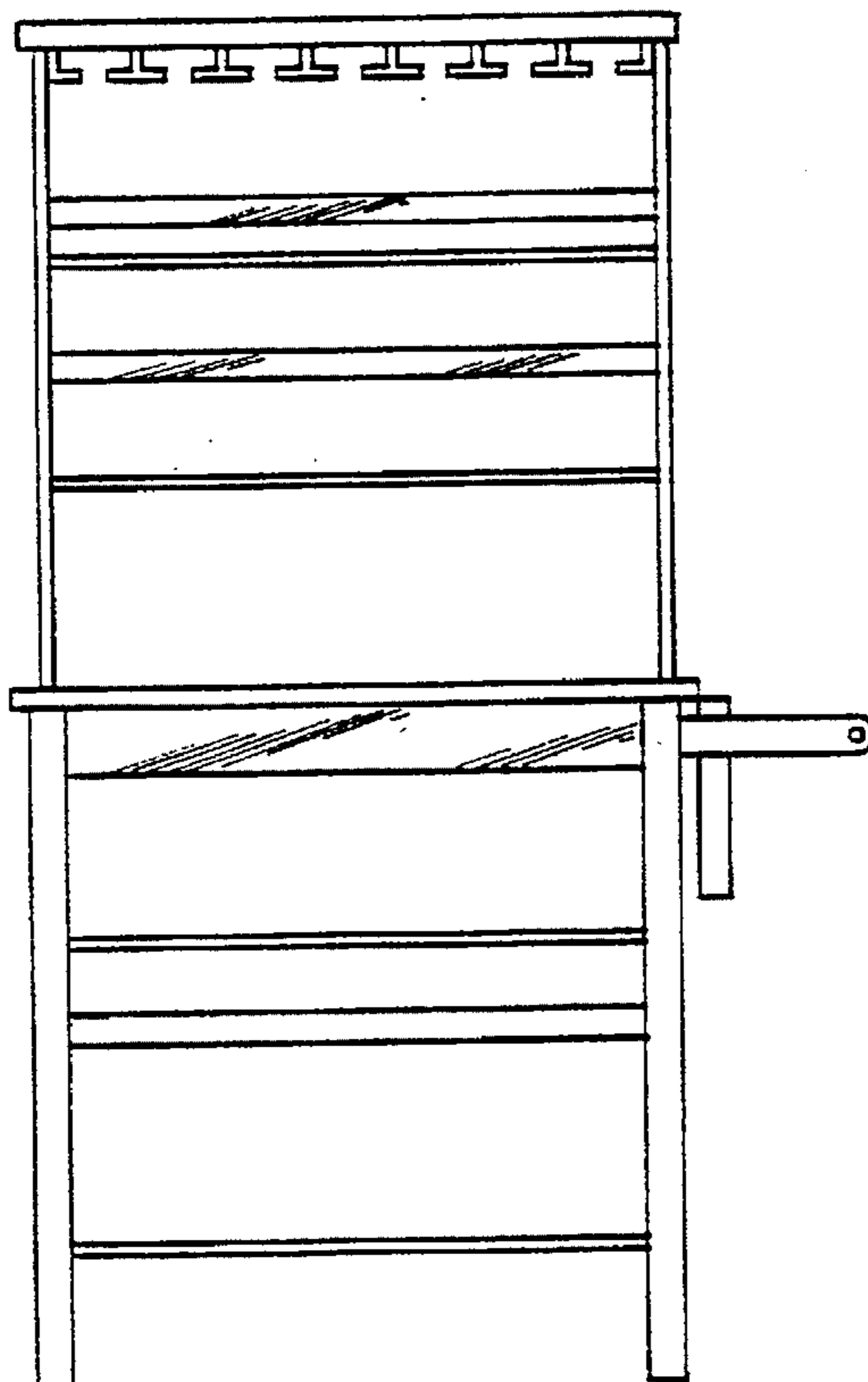


FIG. 3

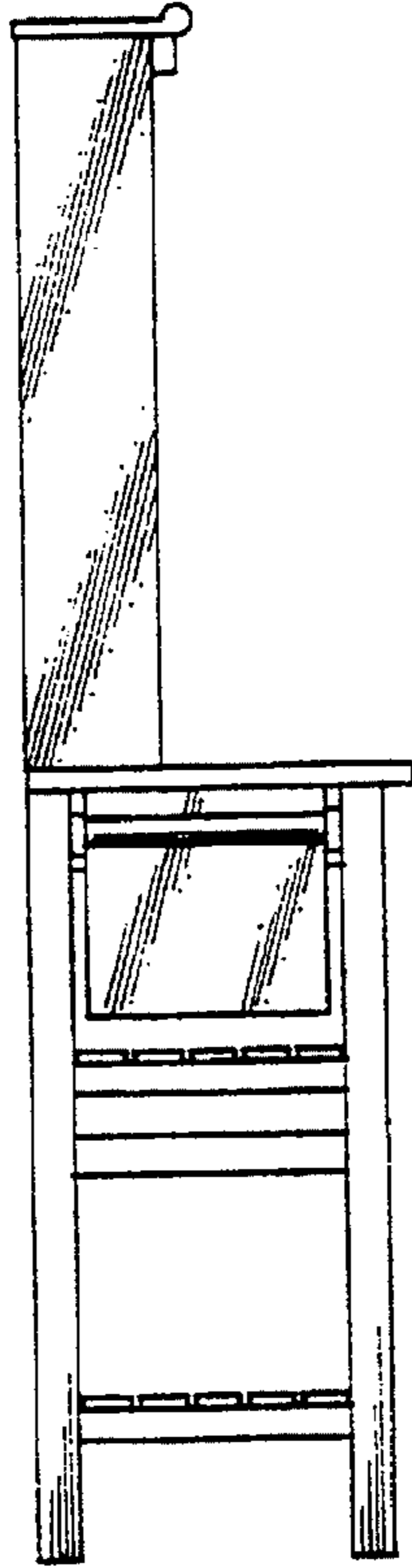


FIG. 4

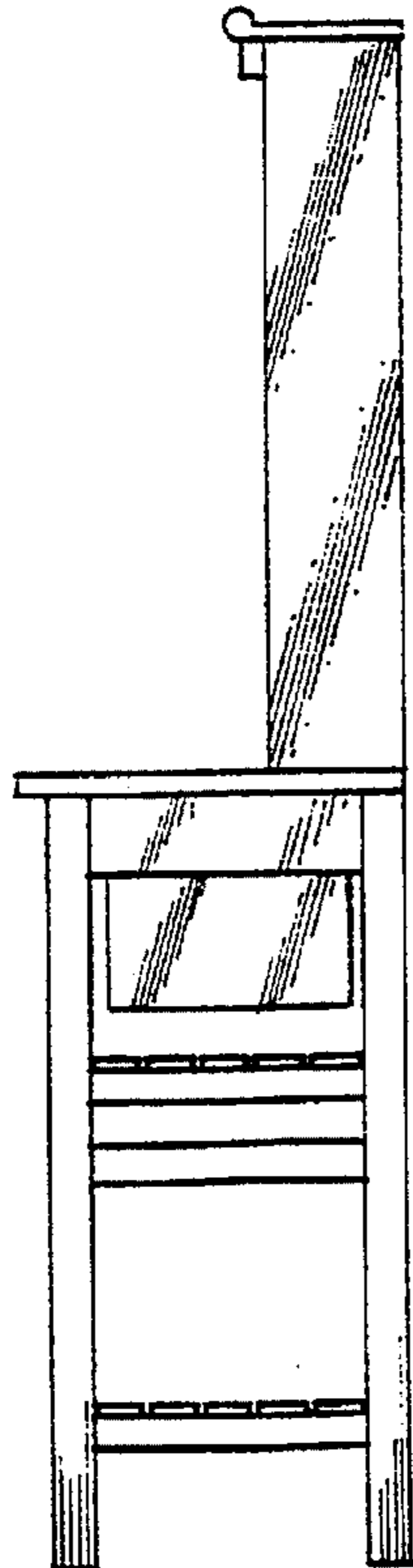


FIG. 5

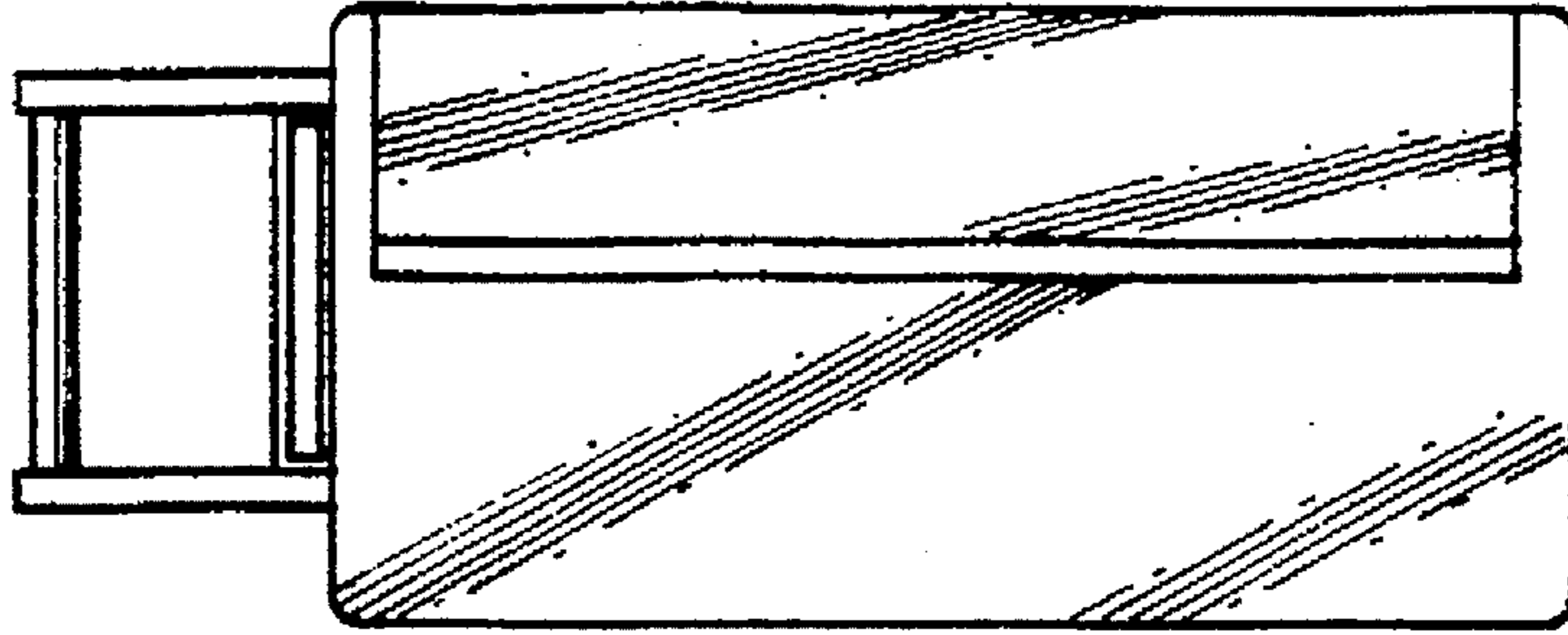


FIG. 6

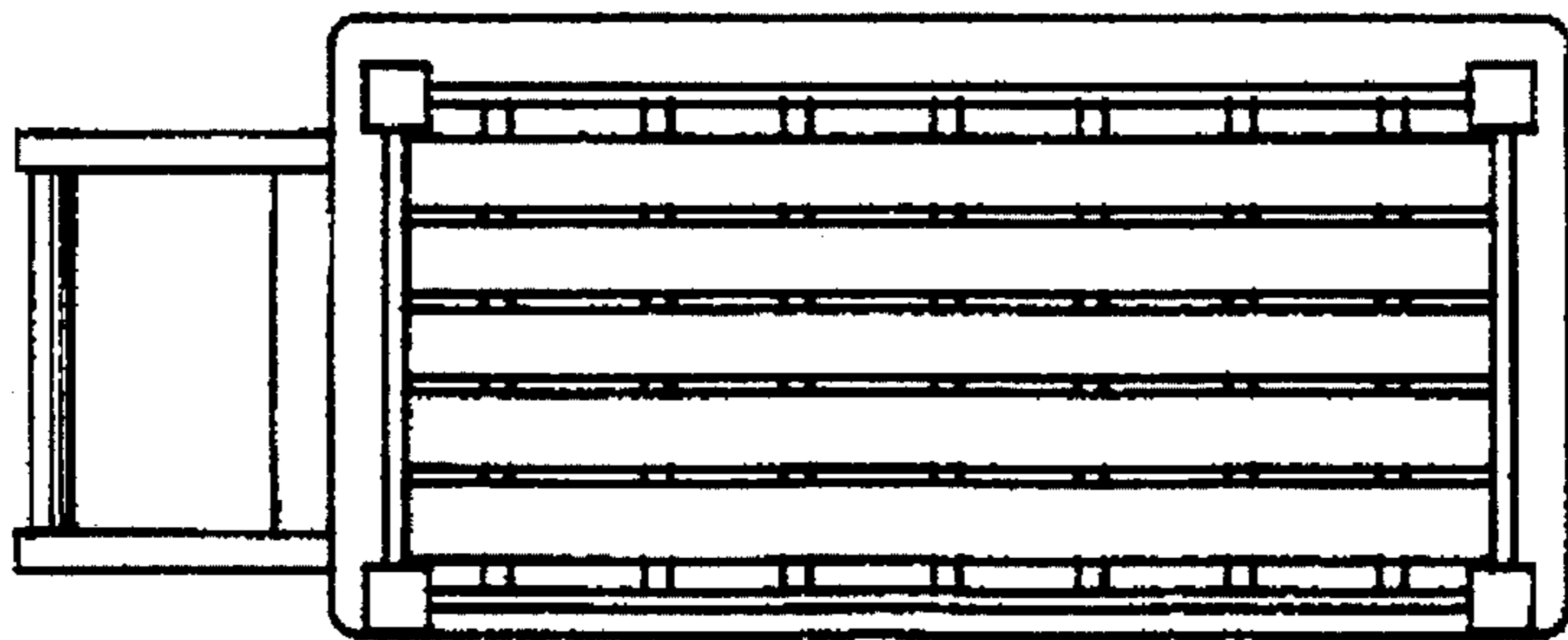


FIG. 7