



US00D379719S

United States Patent [19] Suk

[11] Patent Number: **Des. 379,719**

[45] Date of Patent: ****Jun. 10, 1997**

[54] **GOLF BAG COLLAR**

5,458,240 10/1995 Rich et al. 206/315.6 X

[76] Inventor: **Young J. Suk**, 34 Garvies Point Rd.,
Glen Cove, N.Y. 11542

Primary Examiner—Doris V. Coles
Assistant Examiner—Catherine R. Oliver
Attorney, Agent, or Firm—Myron Amer PC

[**] Term: **14 Years**

[57] CLAIM

[21] Appl. No.: **43,519**

The ornamental design for golf bag collar, as shown and described.

[22] Filed: **Sep. 6, 1995**

DESCRIPTION

[51] LOC (6) Cl. **03-99**

[52] U.S. Cl. **D3/320**

[58] Field of Search D3/254, 255, 320;
206/315.1, 315.2, 315.3, 315.4, 315.5, 315.6,
315.7, 315.8, 315.9

FIG. 1 is a perspective view of a golf bag collar showing my new design;

FIG. 2 is an inverted front elevational view thereof;

FIG. 3 is a top plan view thereof;

FIG. 4 is a right side elevational view thereof;

FIG. 5 is a rear elevational view thereof;

FIG. 6 is a left side elevational view thereof; and,

FIG. 7 is a bottom view thereof.

The broken line showing of a golf bag in FIG. 1 is for illustrative purposes only and forms no part of the claimed design.

[56] References Cited

U.S. PATENT DOCUMENTS

D. 315,639	3/1991	Warder	D3/320
D. 349,406	8/1994	Shumay	D3/320
3,139,132	6/1964	Shiller	206/315.6
3,460,597	8/1969	Daly	206/315.6 X
4,194,547	3/1980	Sidor et al.	D3/320 X

1 Claim, 2 Drawing Sheets

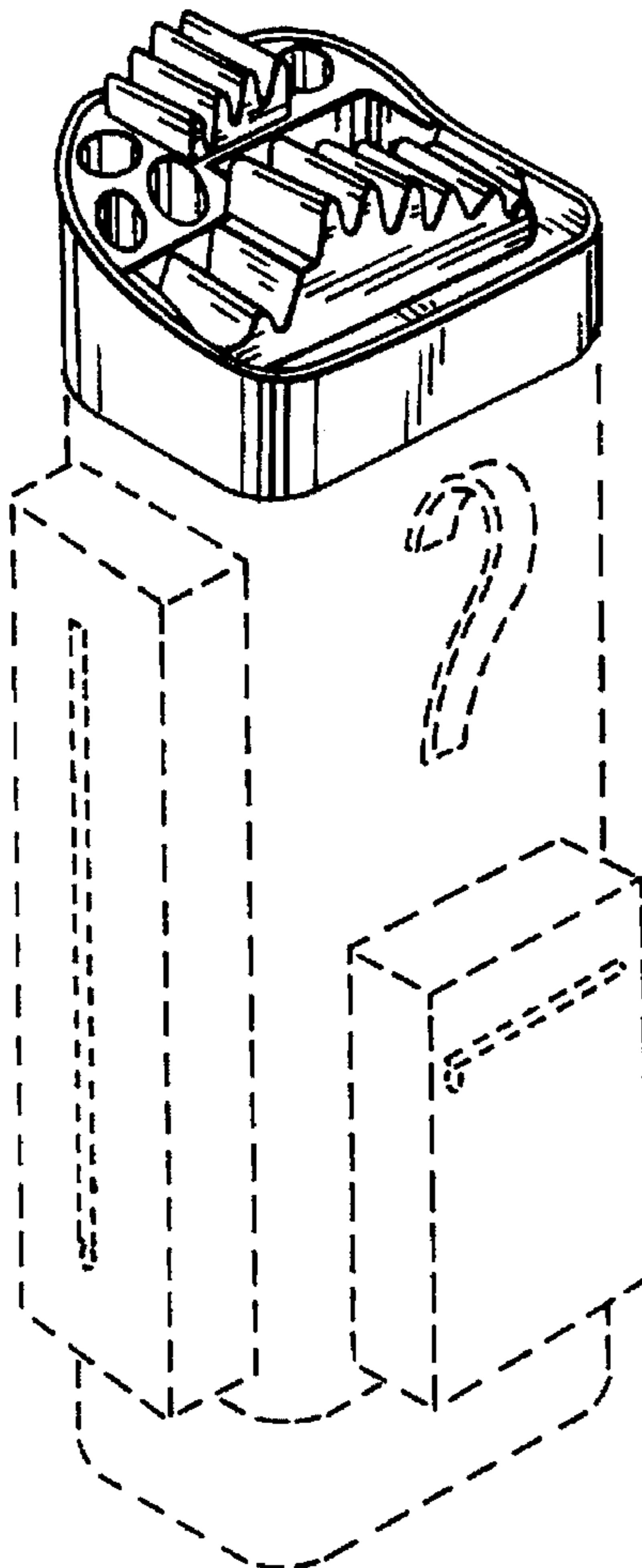


FIG. 1

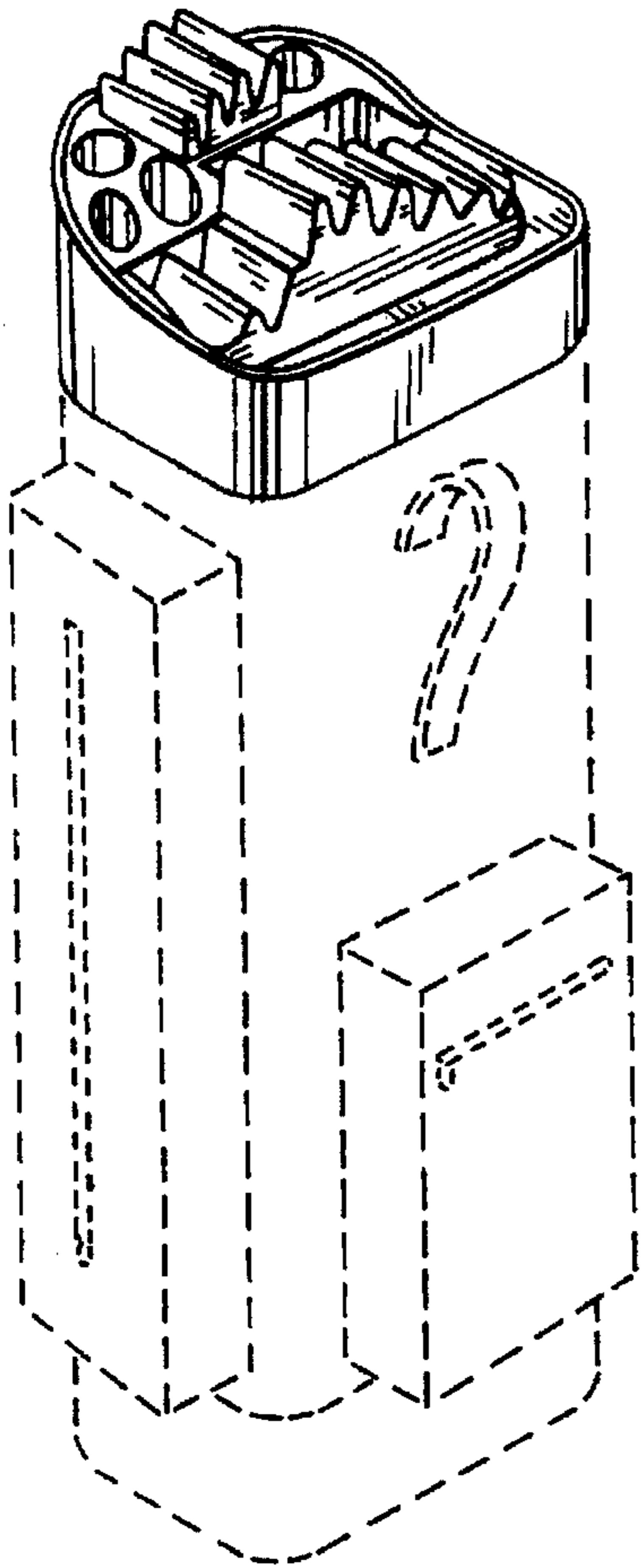


FIG. 2

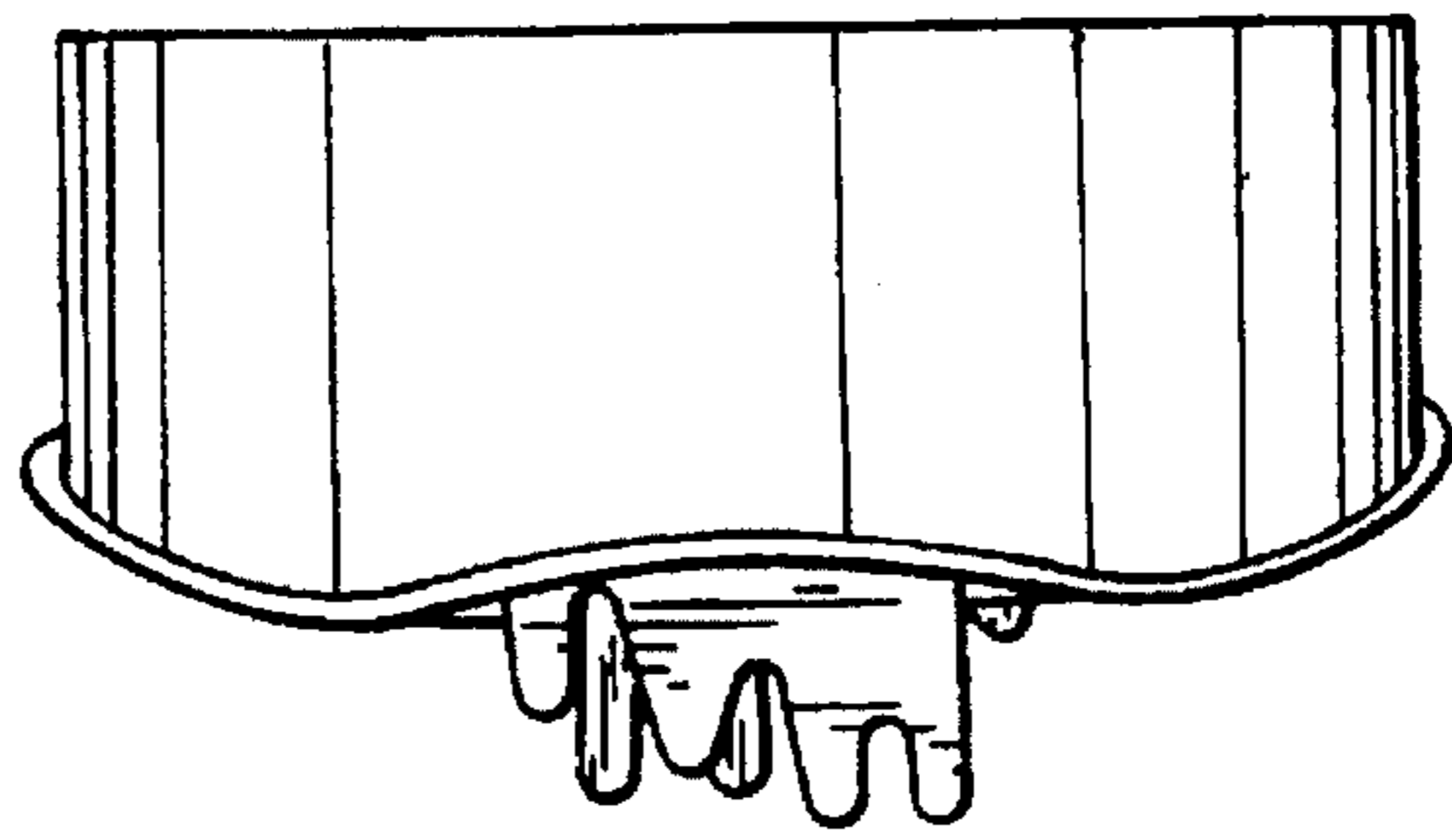


FIG. 3

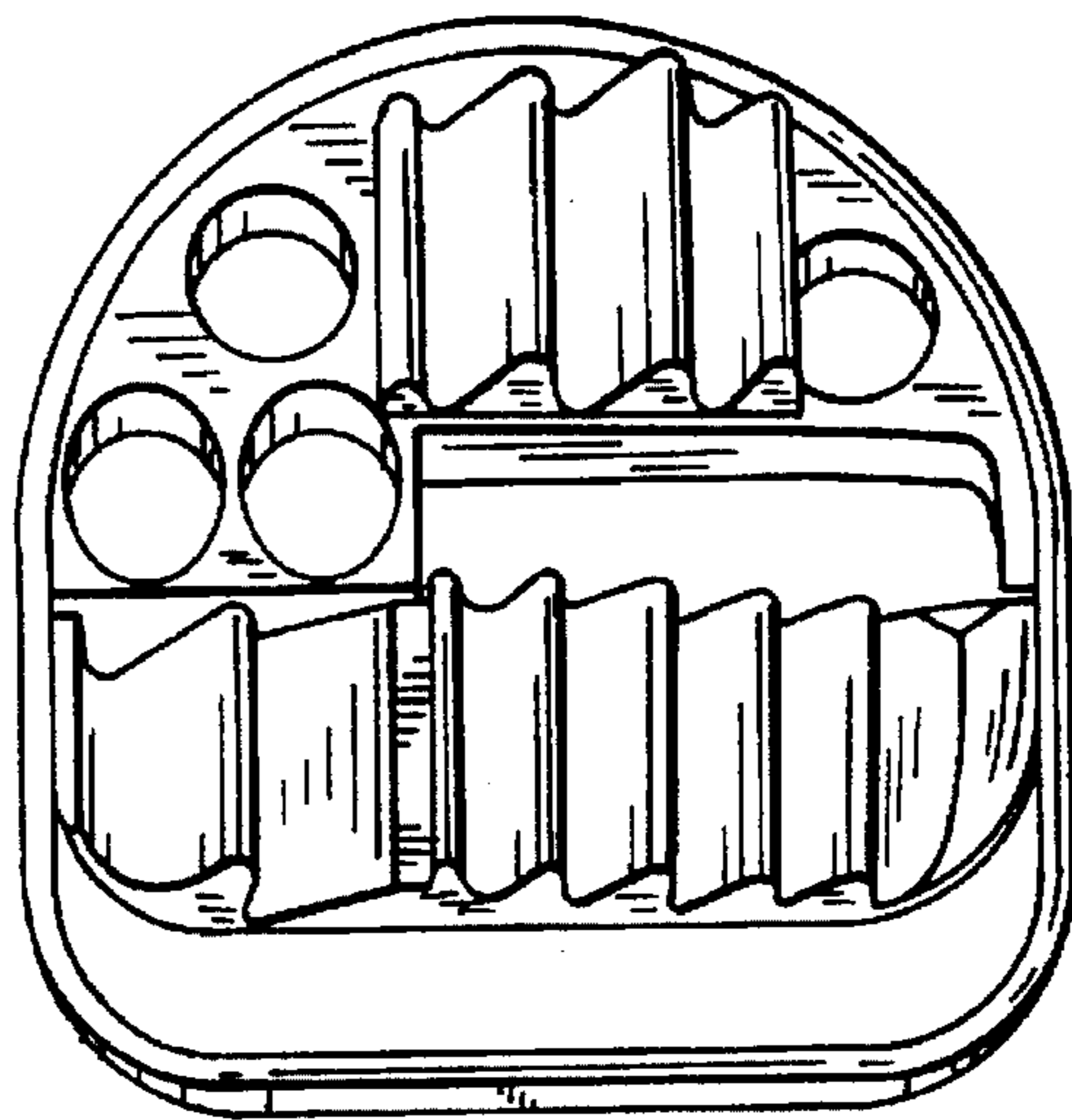


FIG. 4

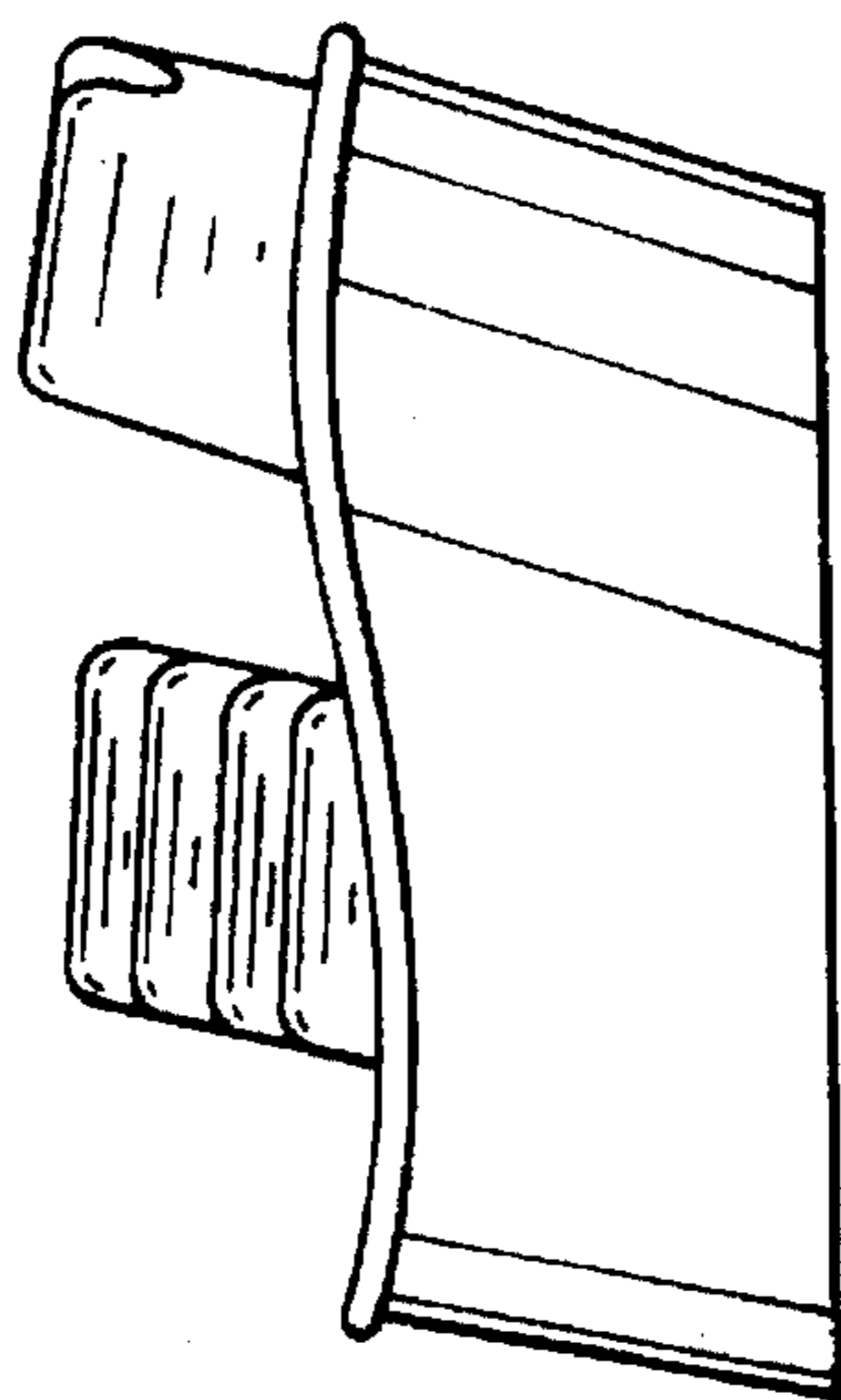


FIG. 5

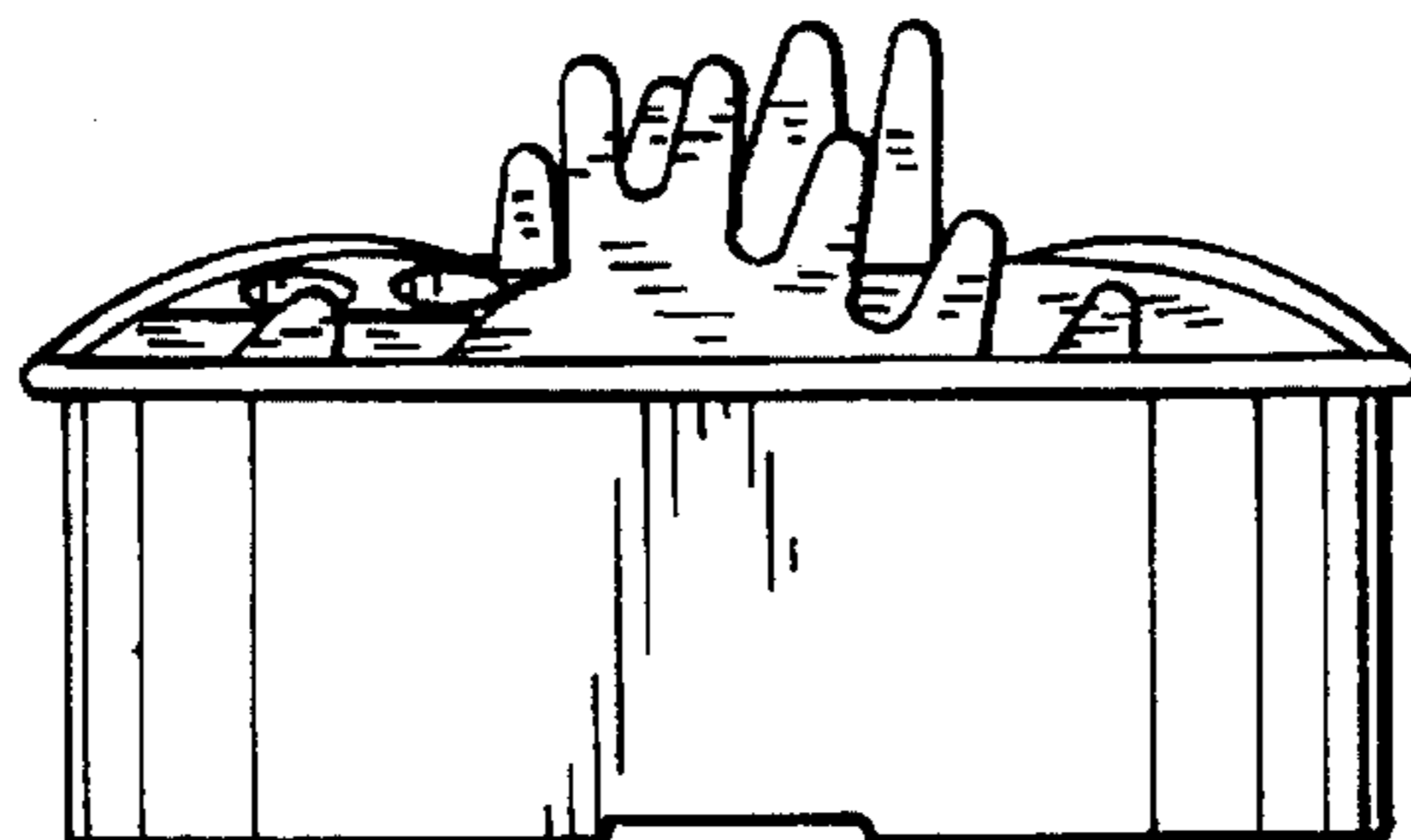


FIG. 6

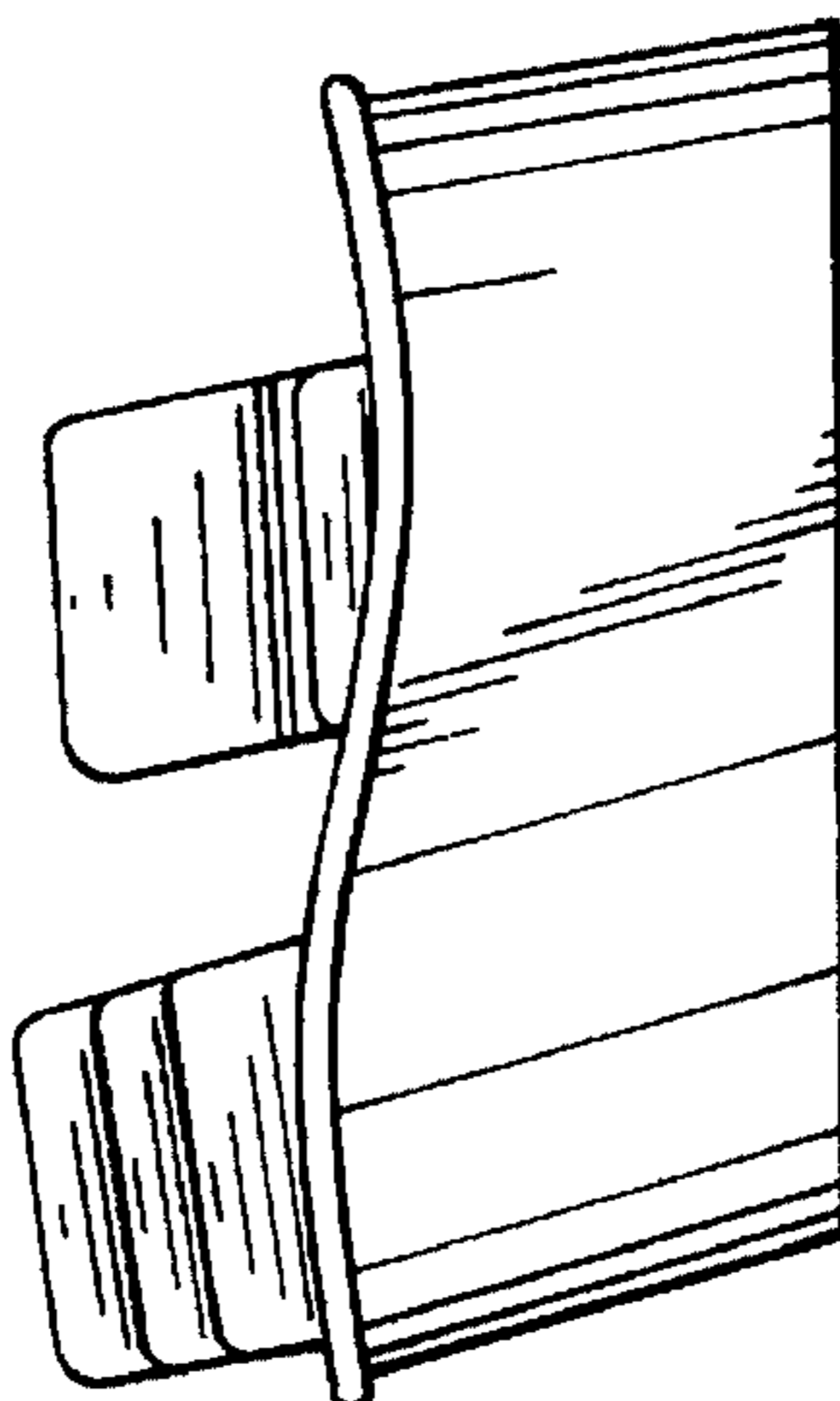


FIG. 7

