



US00D379716S

# United States Patent [19]

Zipperle et al.

[11] Patent Number: **Des. 379,716**

[45] Date of Patent: **\*\*Jun. 10, 1997**

[54] **TRAY FOR A BULK CONTAINER**

[75] Inventors: **Kevin A. Zipperle; Richard King,**  
both of Macon, Ga.

[73] Assignee: **Brown & Williamson Tobacco Corporation,** Louisville, Ky.

[\*\*] Term: **14 Years**

[21] Appl. No.: **48,428**

[22] Filed: **Dec. 28, 1995**

[51] LOC (6) Cl. .... **03-01**

[52] U.S. Cl. .... **D3/304; D32/55; D34/38**

[58] Field of Search ..... **D3/304-314; D9/455,**  
**D9/456, 499; D32/55, 38; D34/38; 206/557,**  
**521.1; 220/4.28, 440.1**

### [56] **References Cited**

#### **U.S. PATENT DOCUMENTS**

D. 229,486 12/1973 Roper ..... D34/38

*Primary Examiner*—Terry A. Wallace  
*Attorney, Agent, or Firm*—Charles I. Sherman

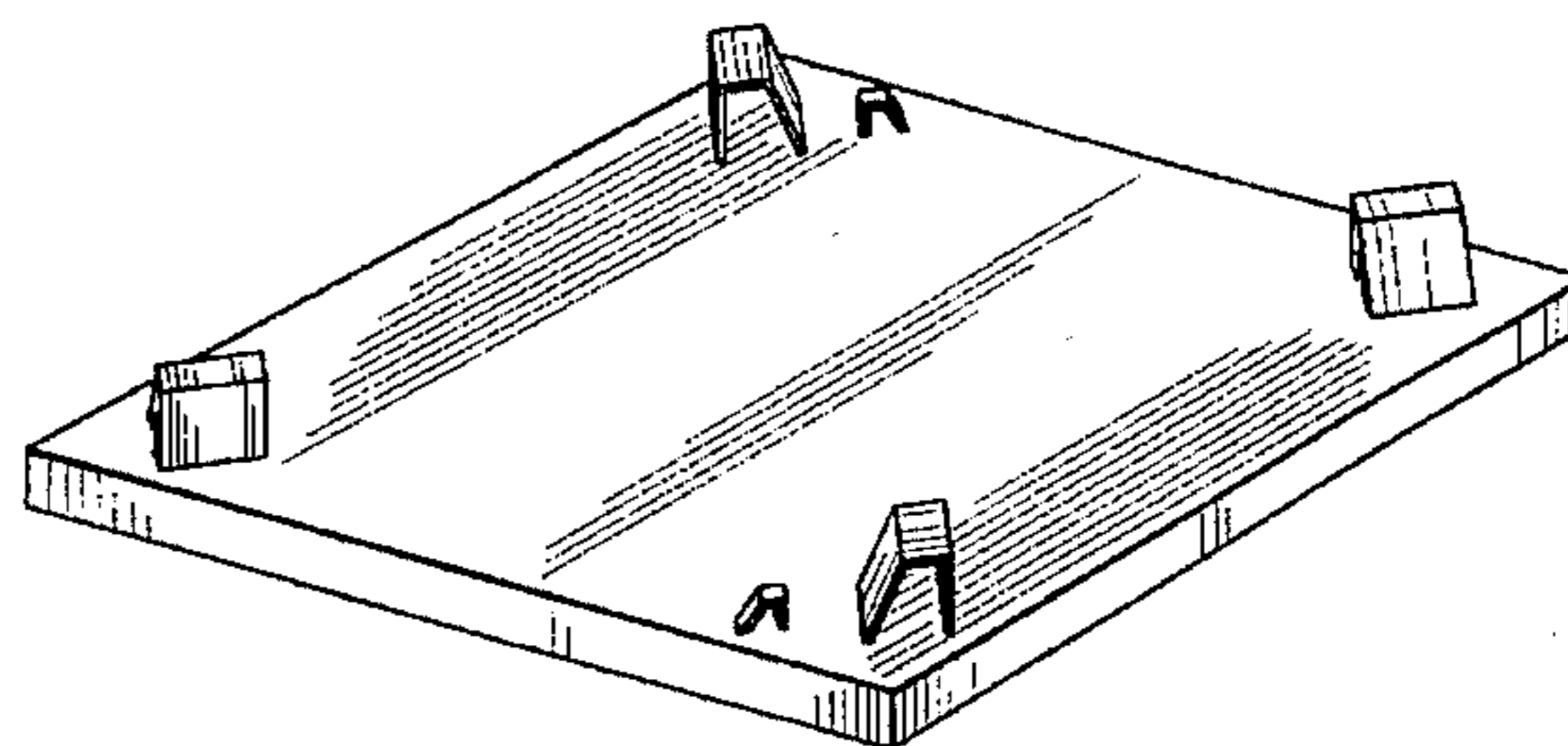
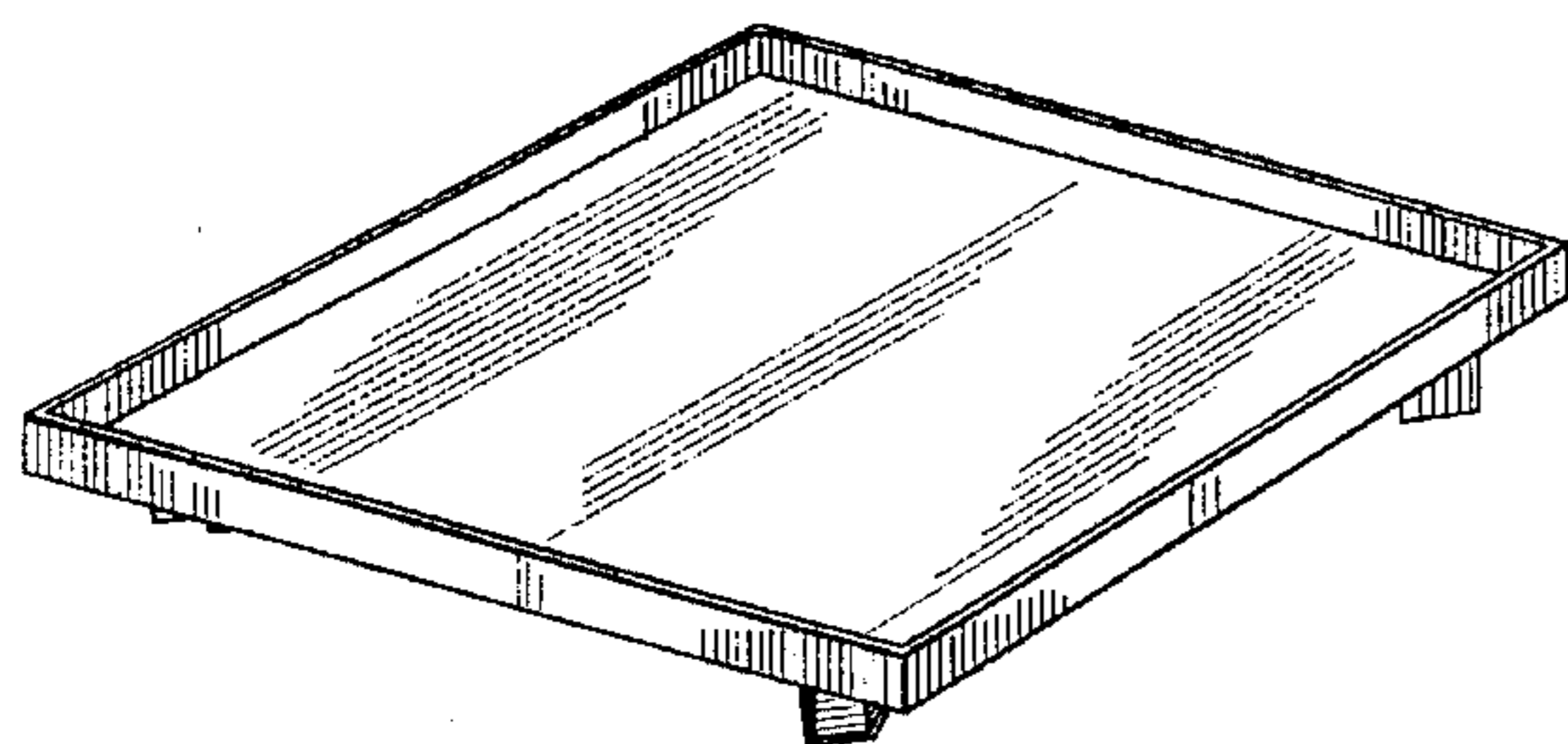
### [57] **CLAIM**

The ornamental design for a tray for a bulk container, as shown and described.

### **DESCRIPTION**

FIG. 1 is a top perspective view of a tray for a bulk container showing our new design;  
FIG. 2 is a top plan view thereof;  
FIG. 3 is a front elevation view thereof, the opposite side being identical;  
FIG. 4 is a right side elevation view thereof, the opposite side being identical;  
FIG. 5 is a bottom plan view thereof;  
FIG. 6 is a bottom perspective view thereof; and,  
FIG. 7 is a top perspective view thereof, the broken line showing of the second tray is shown in an alternate position for clarity of illustration.  
FIGS. 2-7 are shown on an enlarged scale.

**1 Claim, 3 Drawing Sheets**



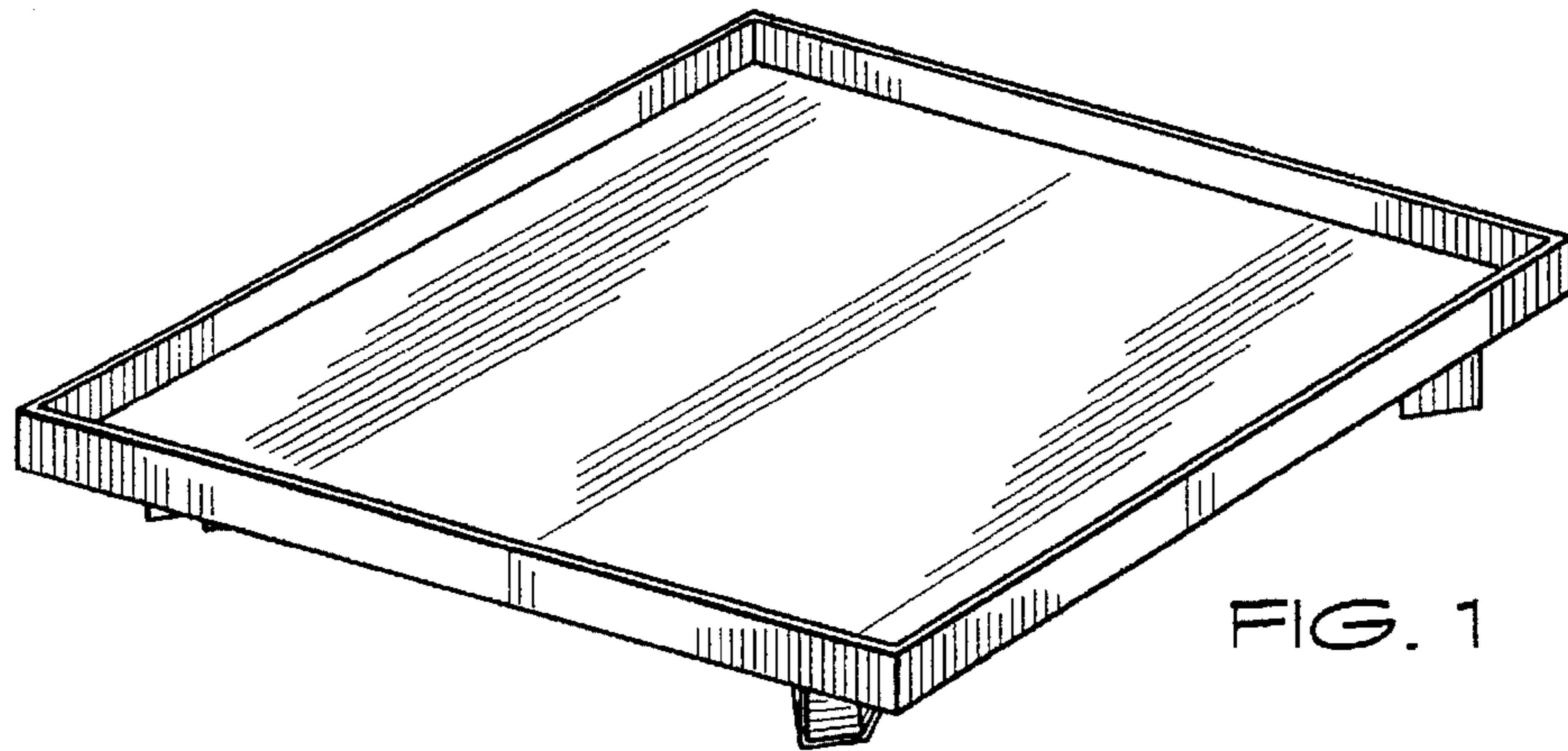


FIG. 1

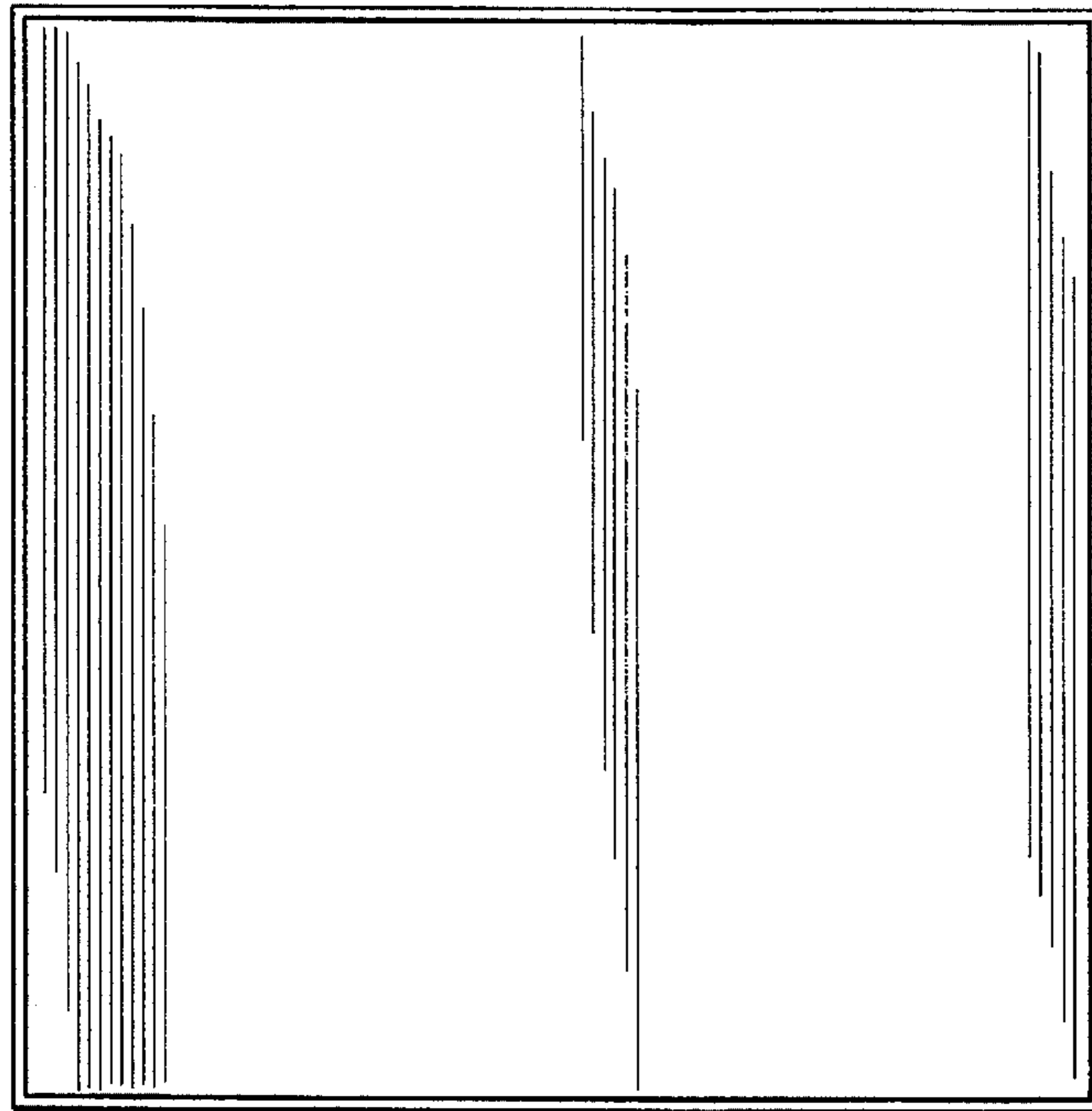


FIG. 2

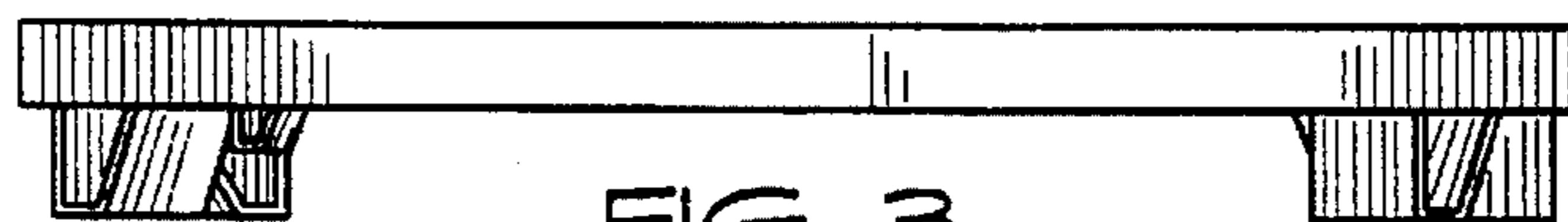


FIG. 3

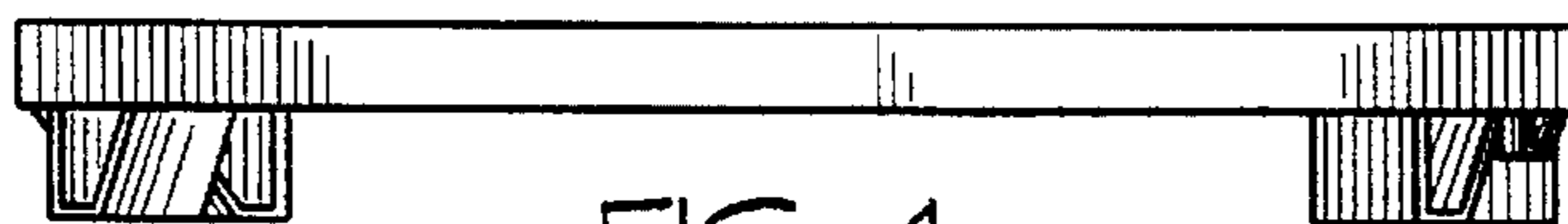


FIG. 4

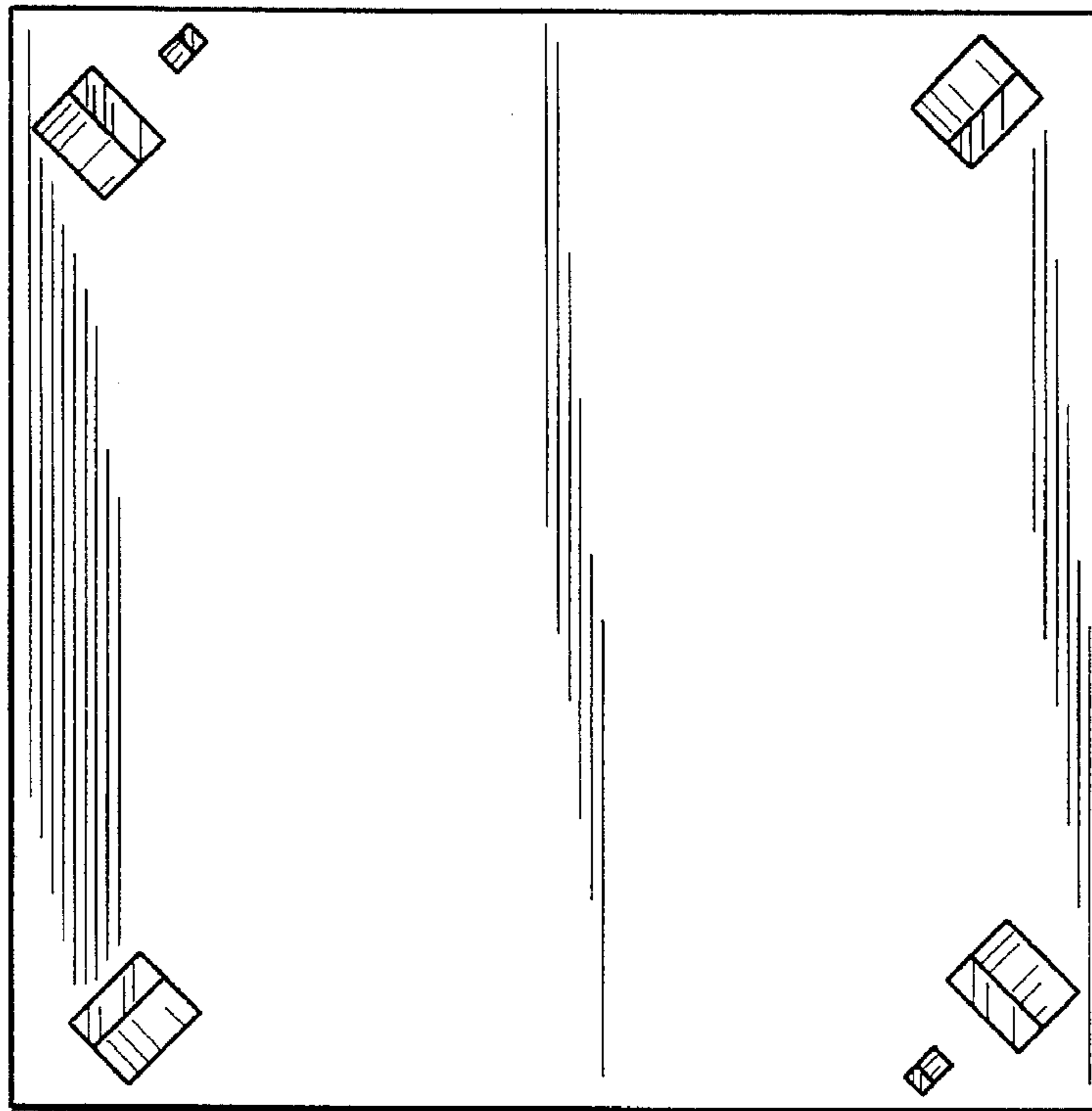


FIG. 5

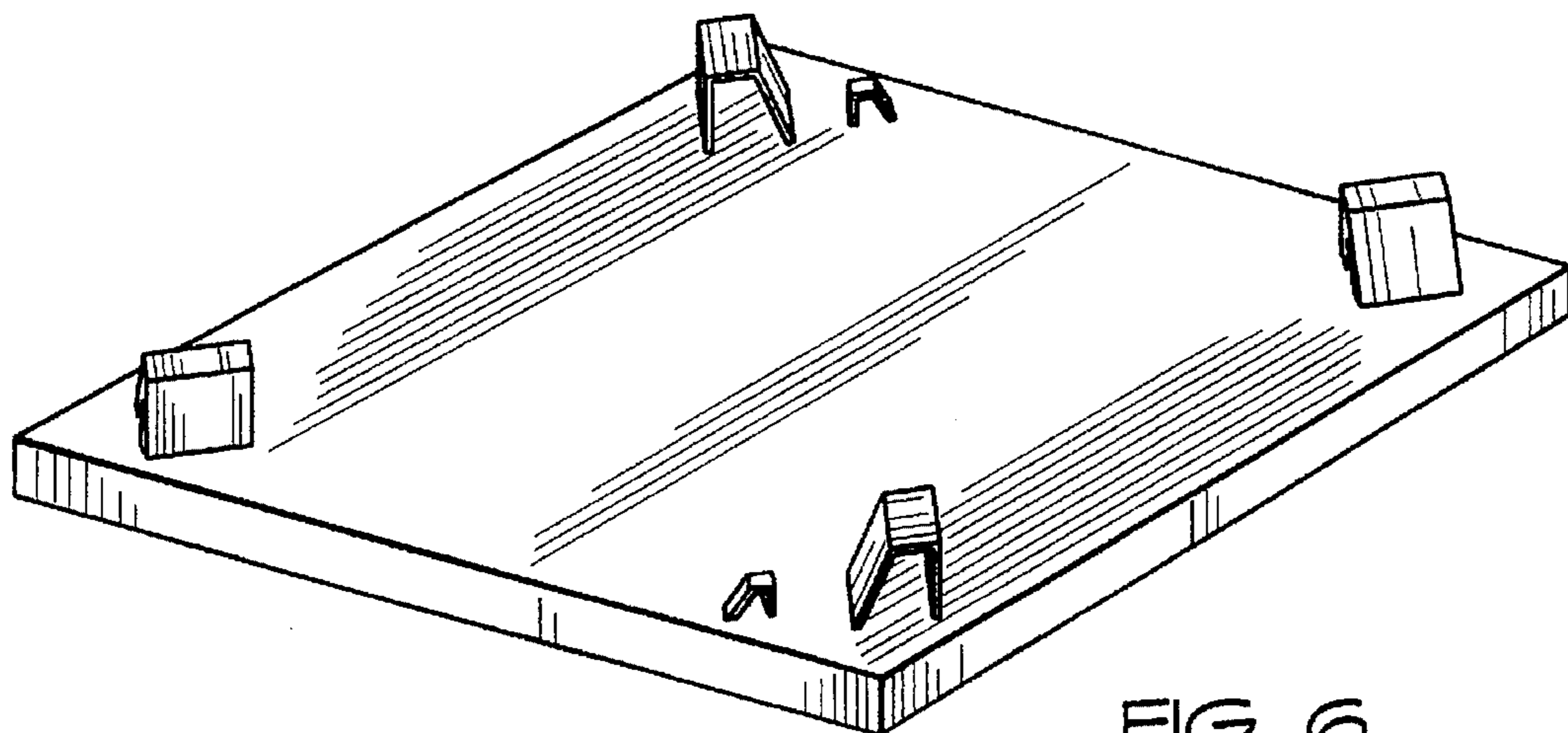


FIG. 6

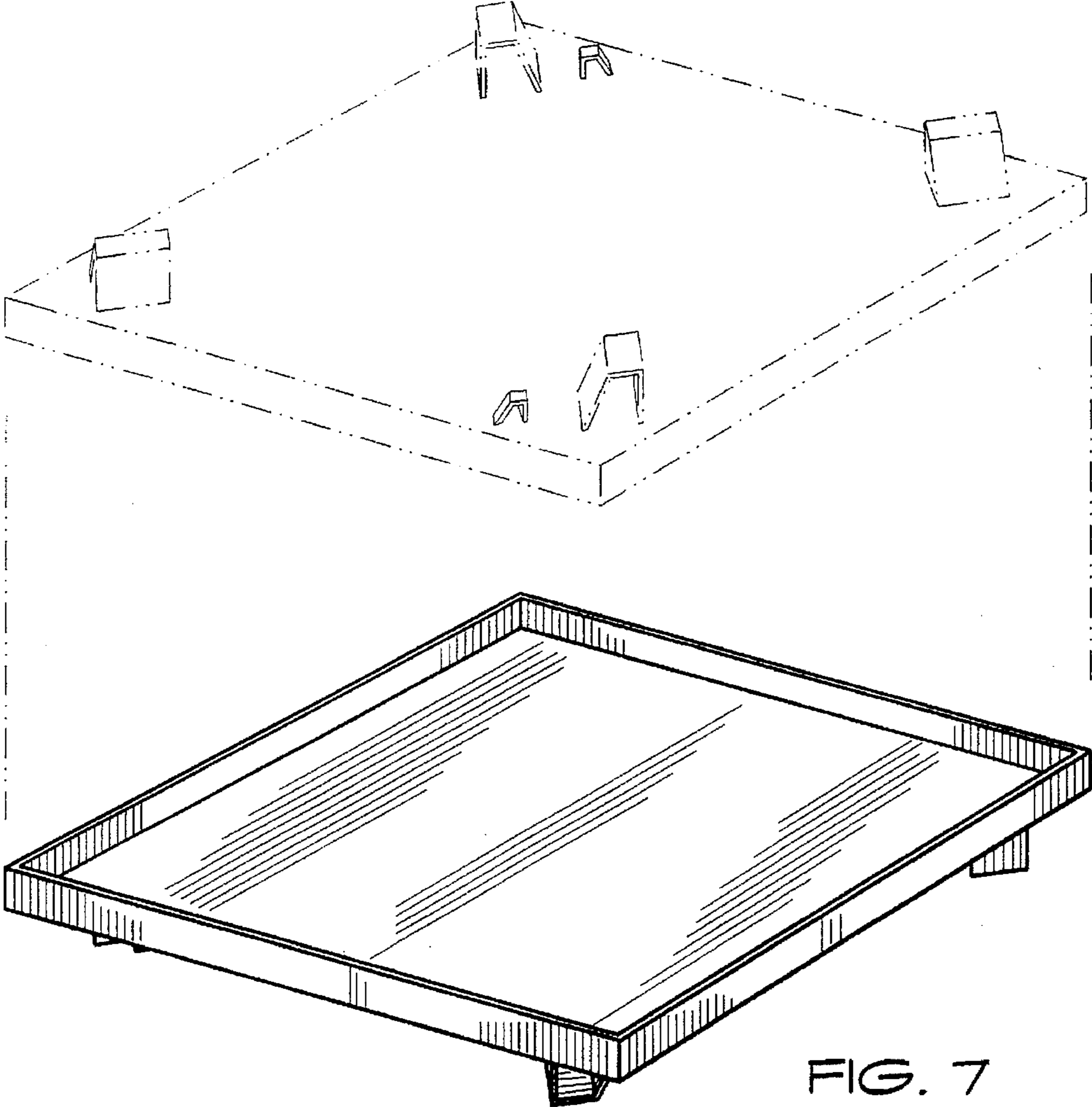


FIG. 7