



US00D379711S

United States Patent [19]
Fitzgerald

[11] **Patent Number: Des. 379,711**
[45] **Date of Patent: **Jun. 10, 1997**

- [54] **INSULATED WATER BOTTLE CARRIER**
- [76] **Inventor: Virginia H. Fitzgerald, 32 Orchard Hill La., Greenwich, Conn. 06831**
- [**] **Term: 14 Years**
- [21] **Appl. No.: 33,339**
- [22] **Filed: Jan. 10, 1995**
- [51] **LOC (6) Cl. 09-02**
- [52] **U.S. Cl. D3/202; D3/229**
- [58] **Field of Search D3/202-215, 226, D3/229; D7/607; D9/455; 215/12.1, 13.1; 220/903; 224/148, 202, 236**

5,109,588 5/1992 Hewlett et al. .
 5,147,079 9/1992 Heather D3/202
 5,188,266 2/1993 Loulias .

Primary Examiner—Celia Murphy
Attorney, Agent, or Firm—Randall C. Brown; Locke Purnell Rain Harrell

[57] **CLAIM**

The ornamental design for an insulated water bottle carrier, as shown and described.

DESCRIPTION

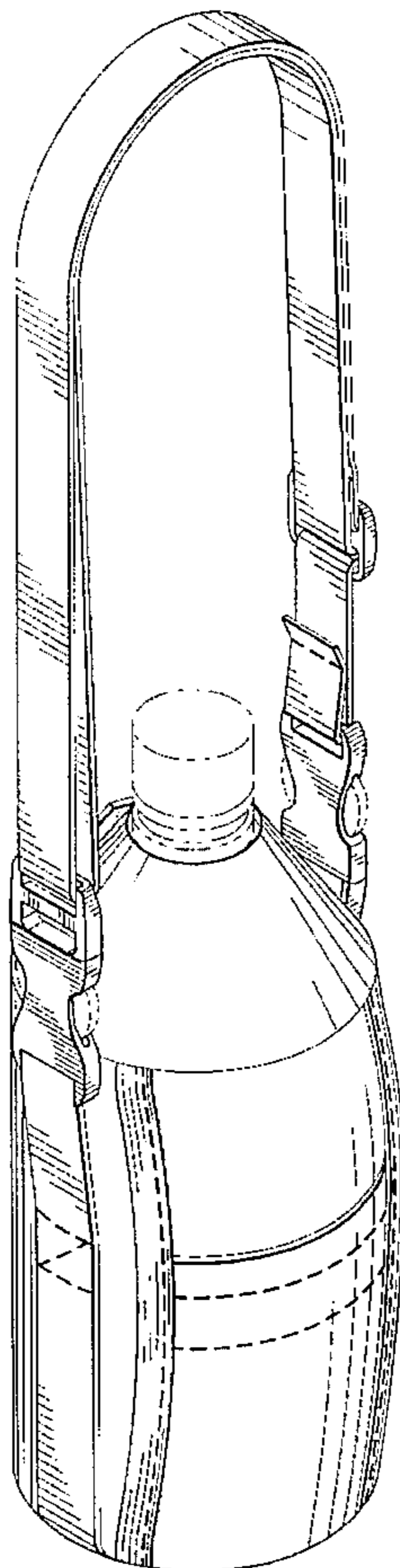
FIG. 1 is a perspective view of an insulated water bottle carrier showing my new design, the broken lines showing a water bottle as well as broken lines showing vertical release mechanisms in FIGS. 1, 3 and 5, being for illustrative purposes only and forming no part of the claimed design; FIG. 2 is a front elevational view thereof; FIG. 3 is a right side elevational view thereof; FIG. 4 is a rear elevational view thereof; FIG. 5 is a left side elevational view thereof; FIG. 6 is a top plan view thereof; and, FIG. 7 is a bottom plan view thereof. The broken lines shown on the straps and carrier portion of the claimed article throughout the views are understood to represent conventional stitching.

[56] **References Cited**

U.S. PATENT DOCUMENTS

- D. 247,392 2/1978 Coleman D3/202
- D. 344,413 2/1994 Bedrosian et al. D7/607
- 3,814,288 6/1974 Westrich .
- 4,197,890 4/1980 Simko .
- 4,282,279 8/1981 Strickland .
- 4,401,245 8/1983 Zills .
- 4,802,602 2/1989 Evans et al. .
- 4,871,597 10/1989 Hobson .
- 4,974,761 12/1990 Luque .
- 4,984,724 1/1991 Johnston .
- 5,048,734 9/1991 Long .

1 Claim, 3 Drawing Sheets



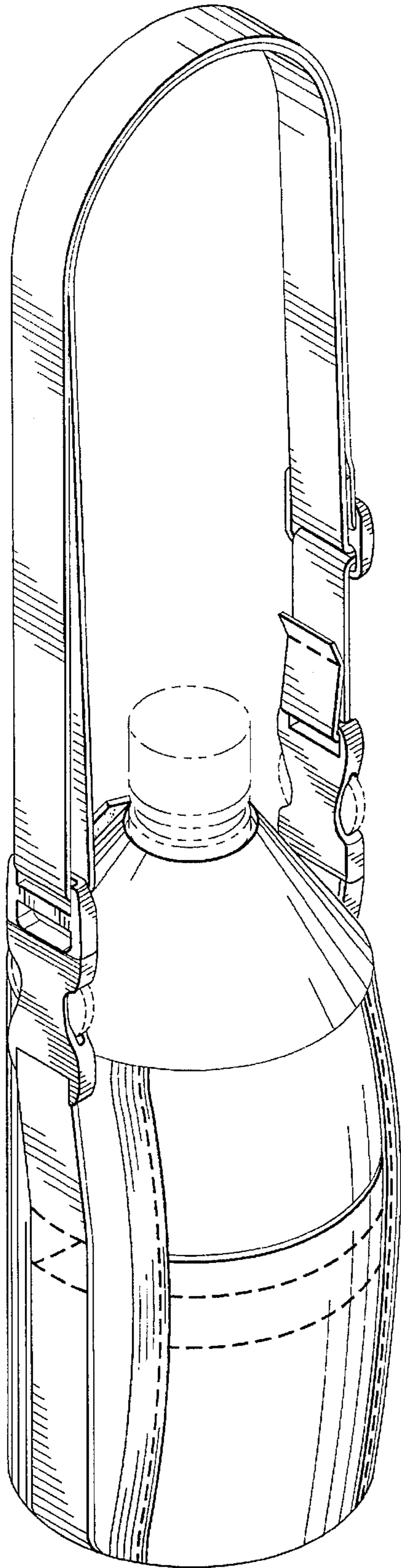


FIG. 1

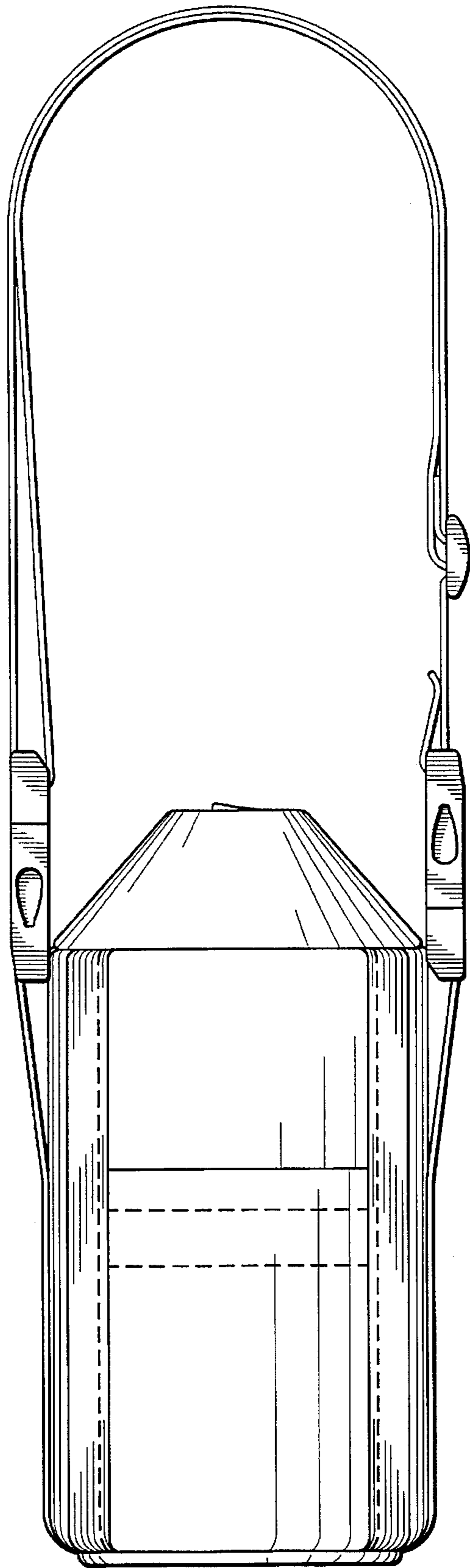


FIG. 2

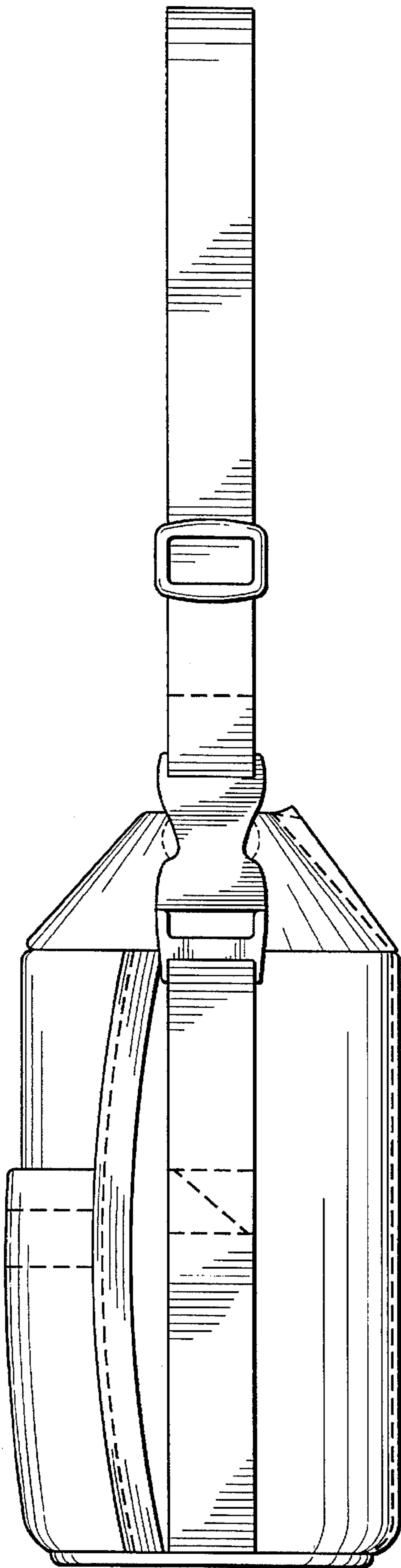


FIG. 3

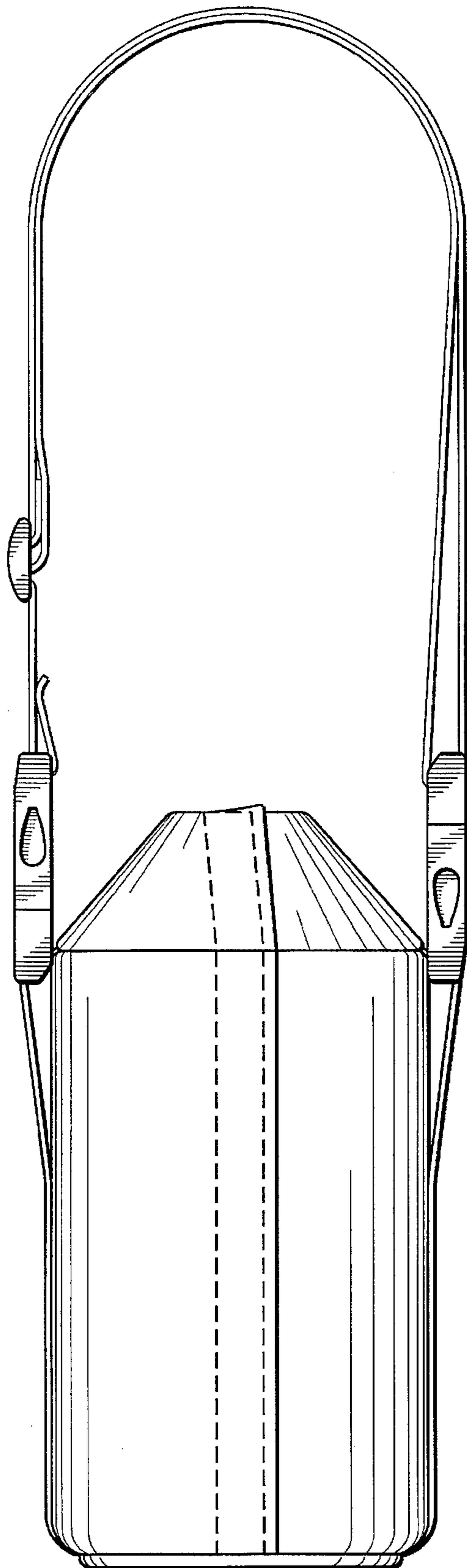


FIG. 4

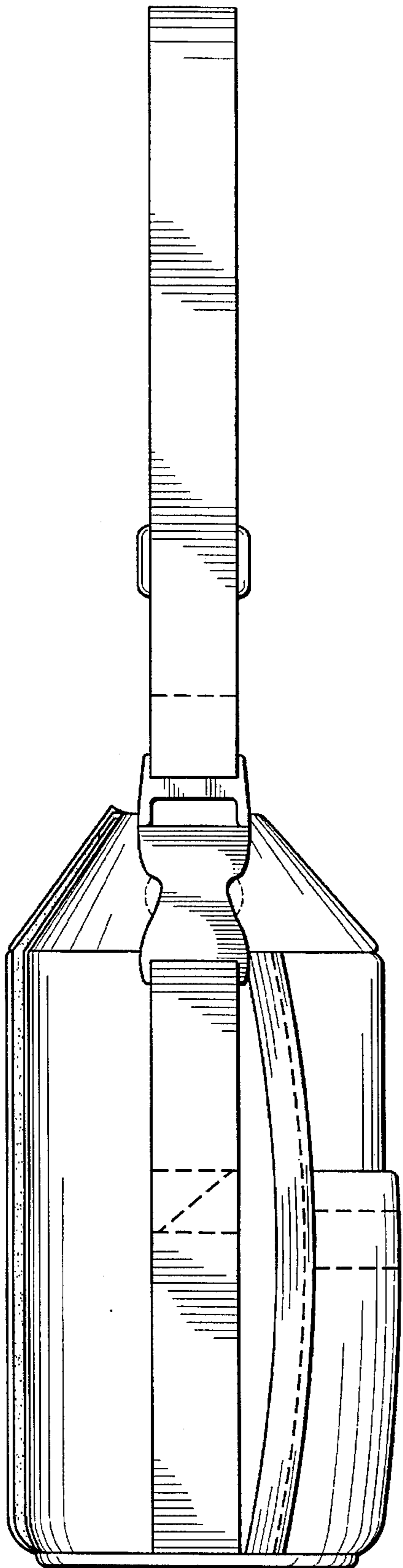


FIG. 5

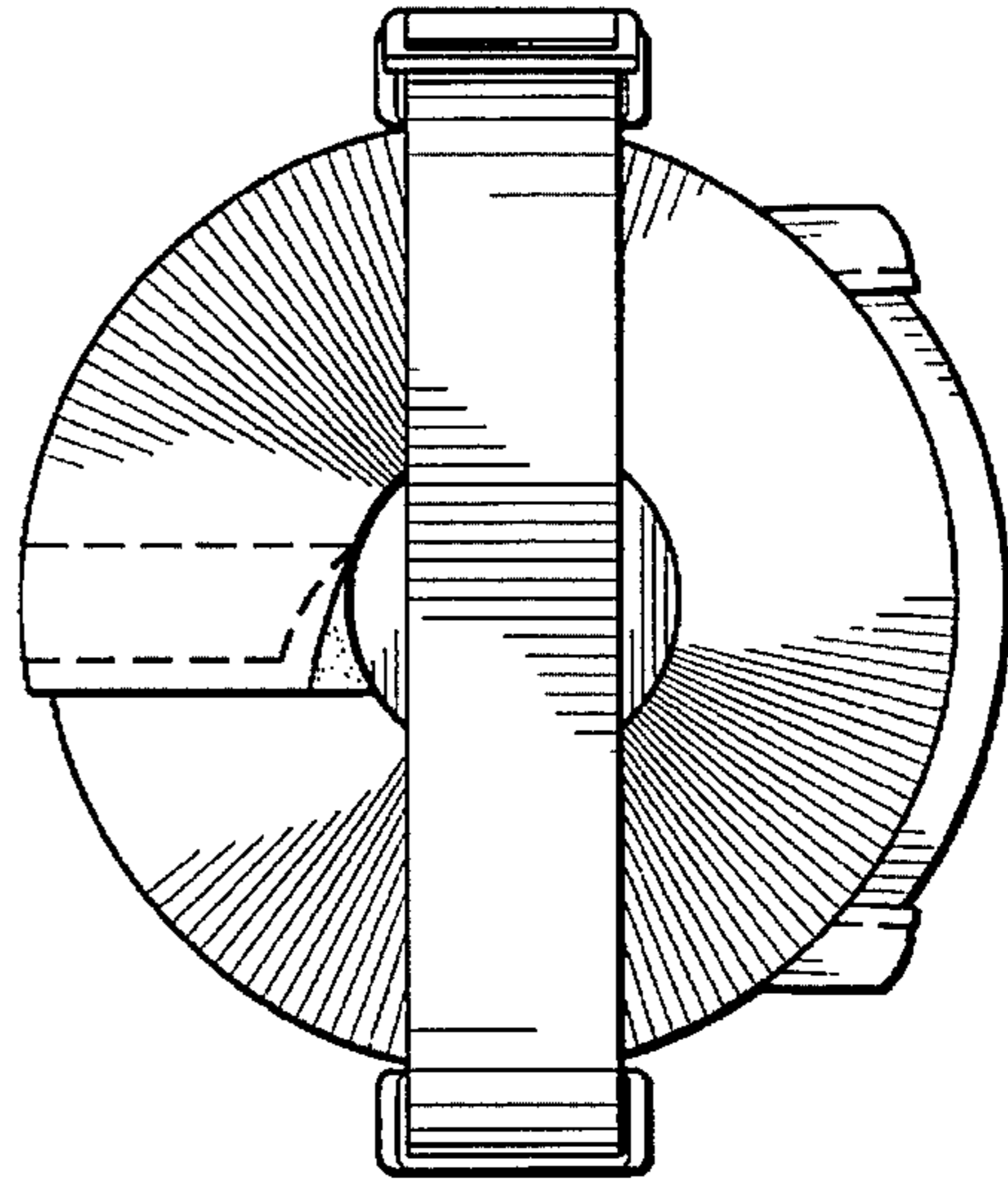


FIG. 6

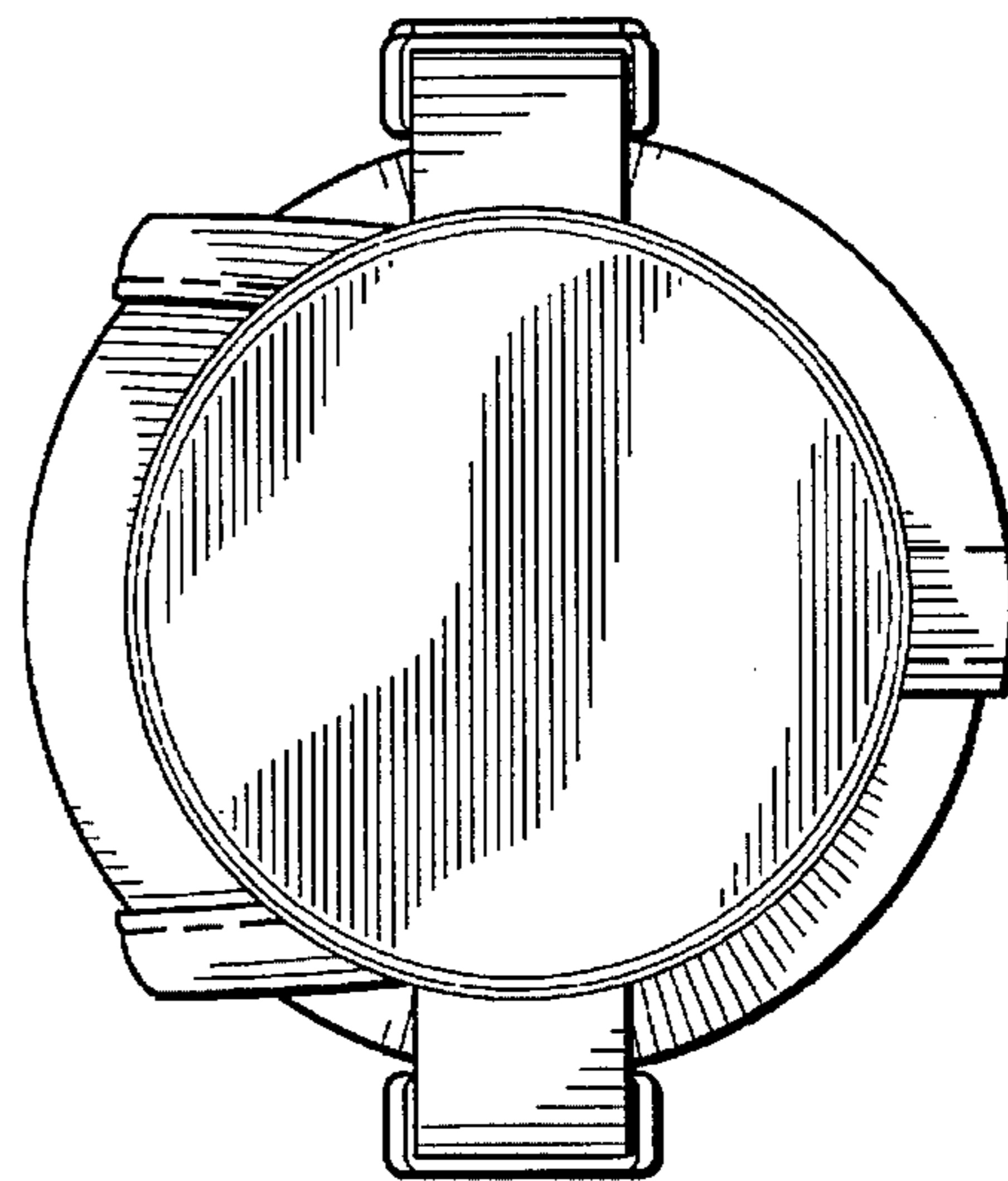


FIG. 7