



US00D379706S

**United States Patent** [19]  
**Hurst**

[11] **Patent Number: Des. 379,706**

[45] **Date of Patent: \*\*Jun. 3, 1997**

[54] **UPPER EDGE FOR A FRONT WALL OF A SHOPPING CART BASKET**

[75] Inventor: **Jack W. Hurst**, Wagoner, Okla.

[73] Assignee: **Unarco LLC**, Atlanta, Ga.

[\*\*] Term: **14 Years**

[21] Appl. No.: **55,919**

[22] Filed: **Jun. 17, 1996**

[51] LOC (6) Cl. .... **12-02**

[52] U.S. Cl. .... **D34/27**

[58] Field of Search .... **D34/12-27; 280/33.991-33.997**

[56] **References Cited**

**U.S. PATENT DOCUMENTS**

D. 368,564 4/1996 Trubiano ..... D34/19

**FOREIGN PATENT DOCUMENTS**

3633140 3/1986 Germany ..... 280/33.991

*Primary Examiner*—Kay H. Chin  
*Attorney, Agent, or Firm*—Dressler, Rockey, Milnamow & Katz, Ltd.

[57] **CLAIM**

The ornamental design for an upper edge for a front wall of a shopping cart basket, as shown and described.

**DESCRIPTION**

FIG. 1 is a perspective view of an upper edge for a front wall of a shopping cart basket, showing my new design;

FIG. 2 is a top plan view thereof;

FIG. 3 is a front elevational view thereof;

FIG. 4 is a sectional view thereof, as taken along line 4—4 of FIG. 3, in a direction indicated by arrows; and,

FIG. 5 is a sectional view thereof, as taken along line 5—5 of FIG. 3, in a direction indicated by arrows.

A sectional view thereof would be a mirror image of FIG. 4, if taken along line 4—4 of FIG. 3, in a direction opposite to the direction indicated by arrows in FIG. 4.

Broken line illustrations of other portions of a shopping cart basket and broken line illustrations of other elements of a shopping cart are not parts of the design claimed.

**1 Claim, 2 Drawing Sheets**

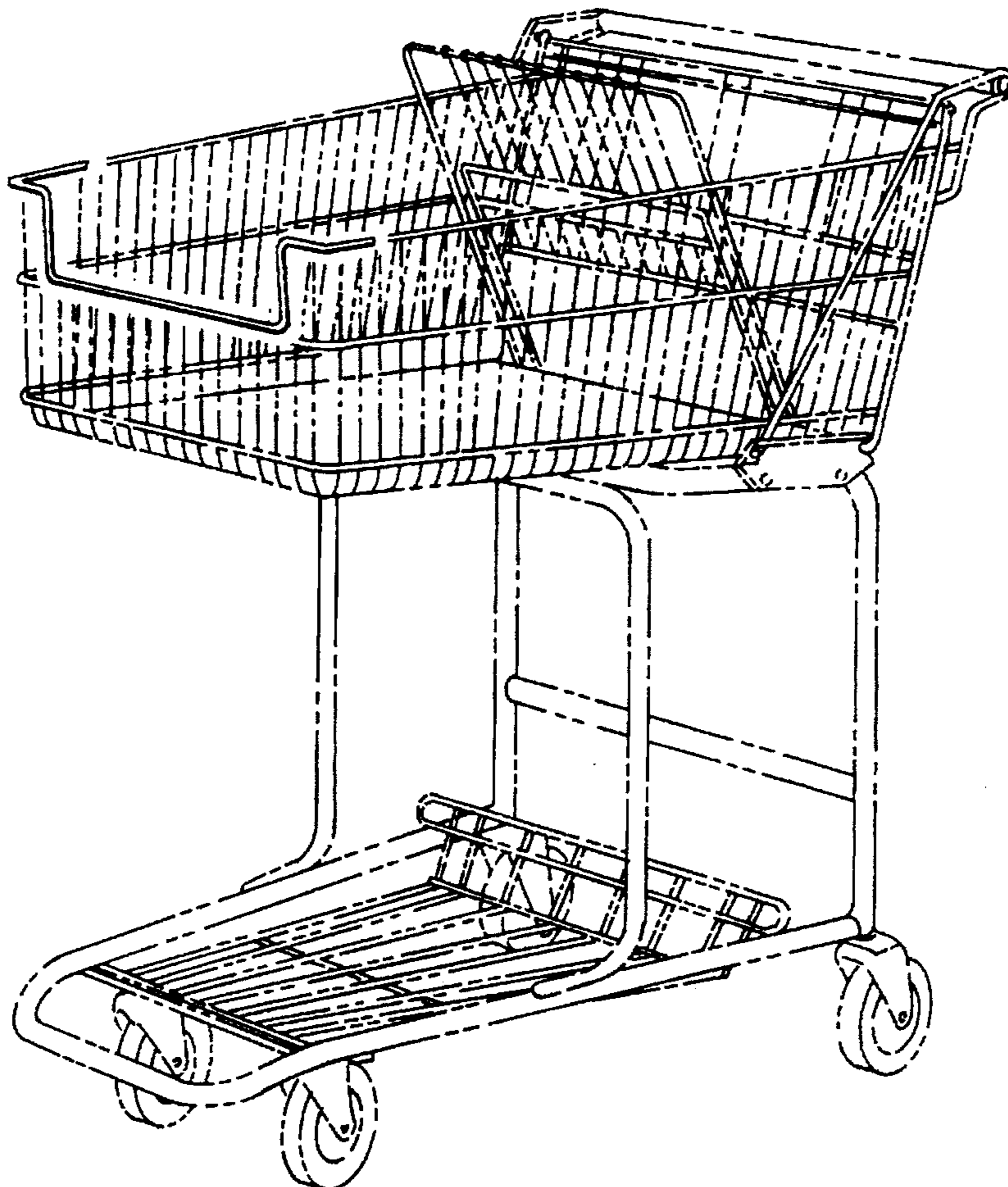


FIG. 1

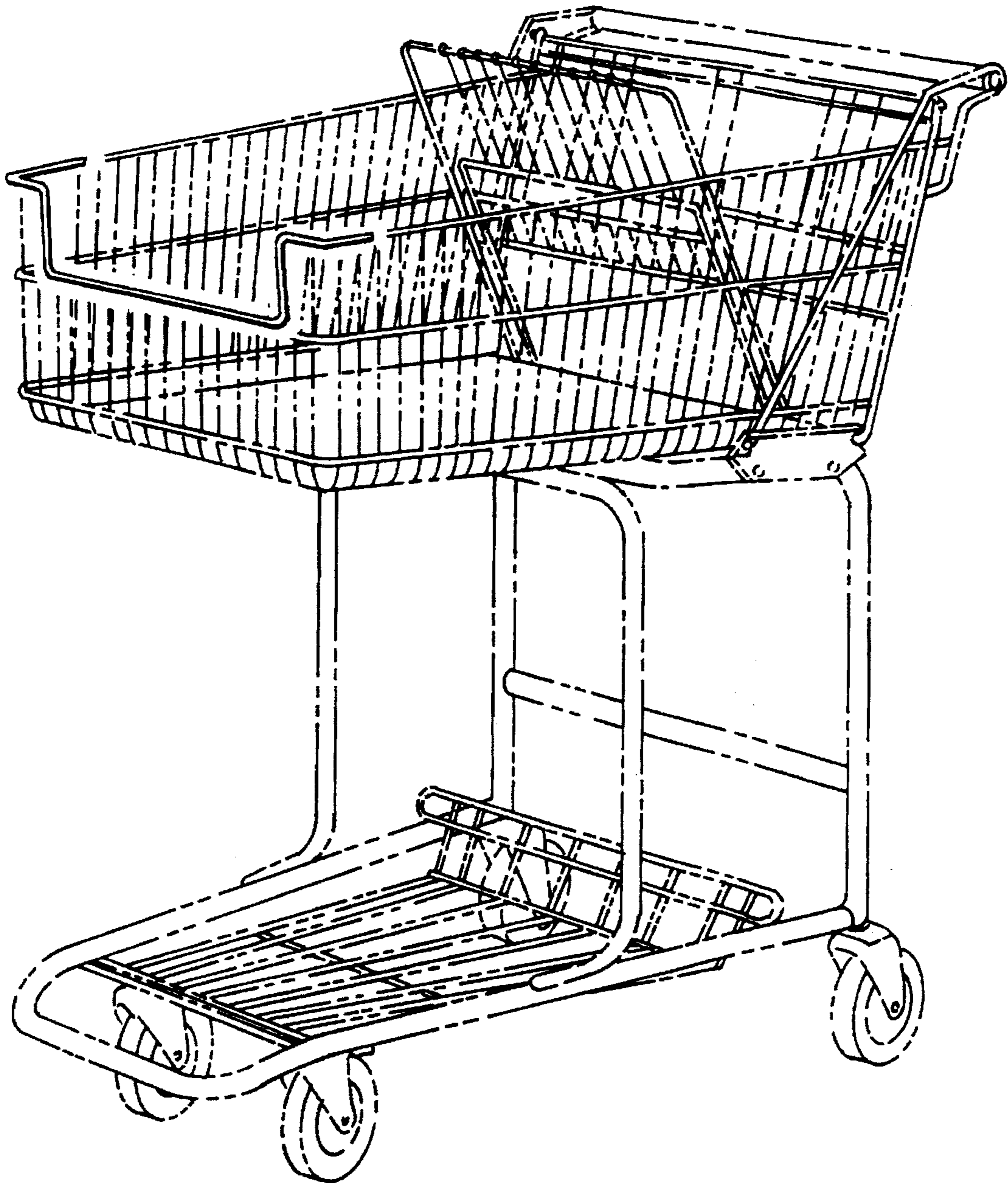


FIG. 2

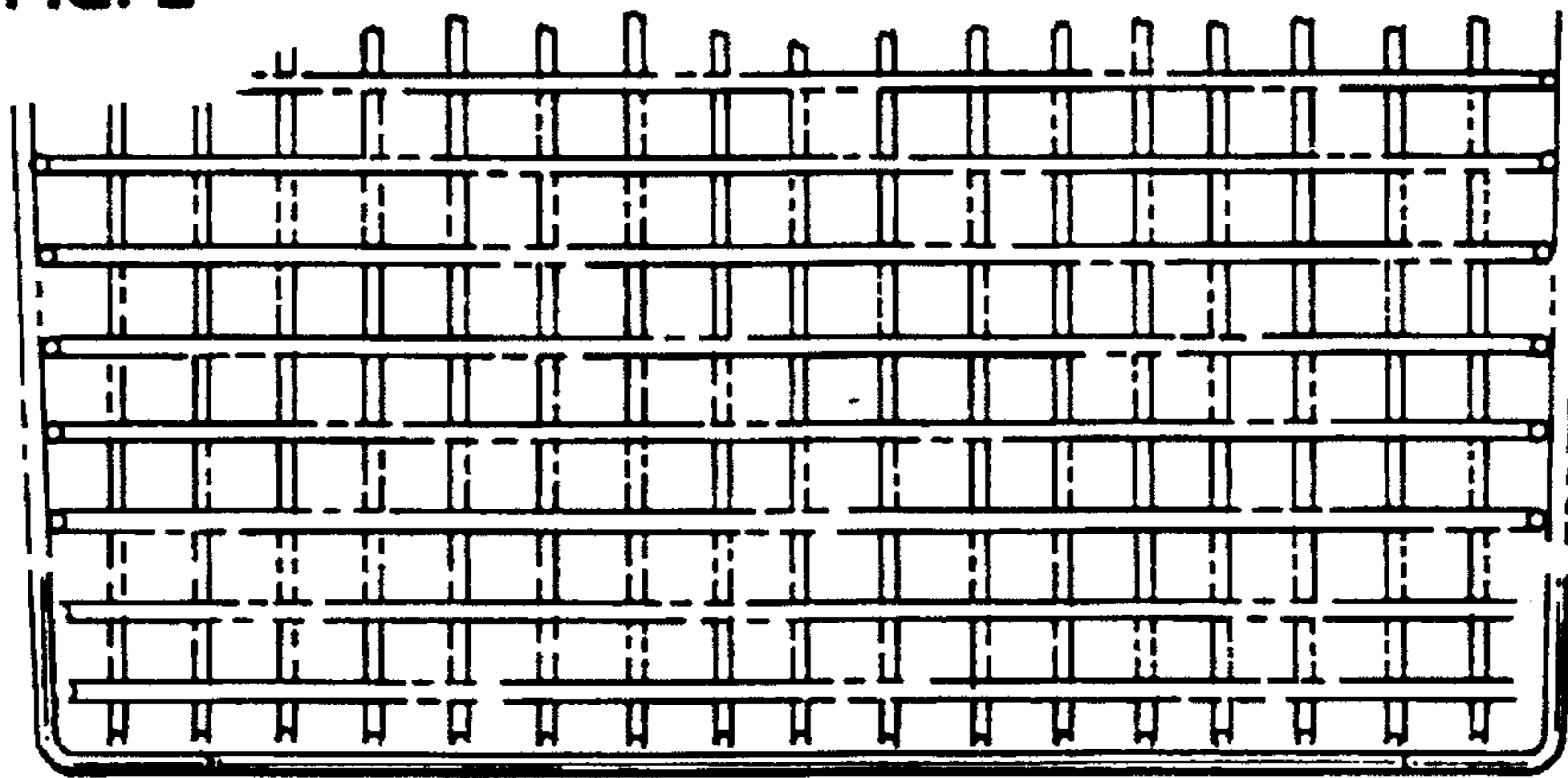


FIG. 3

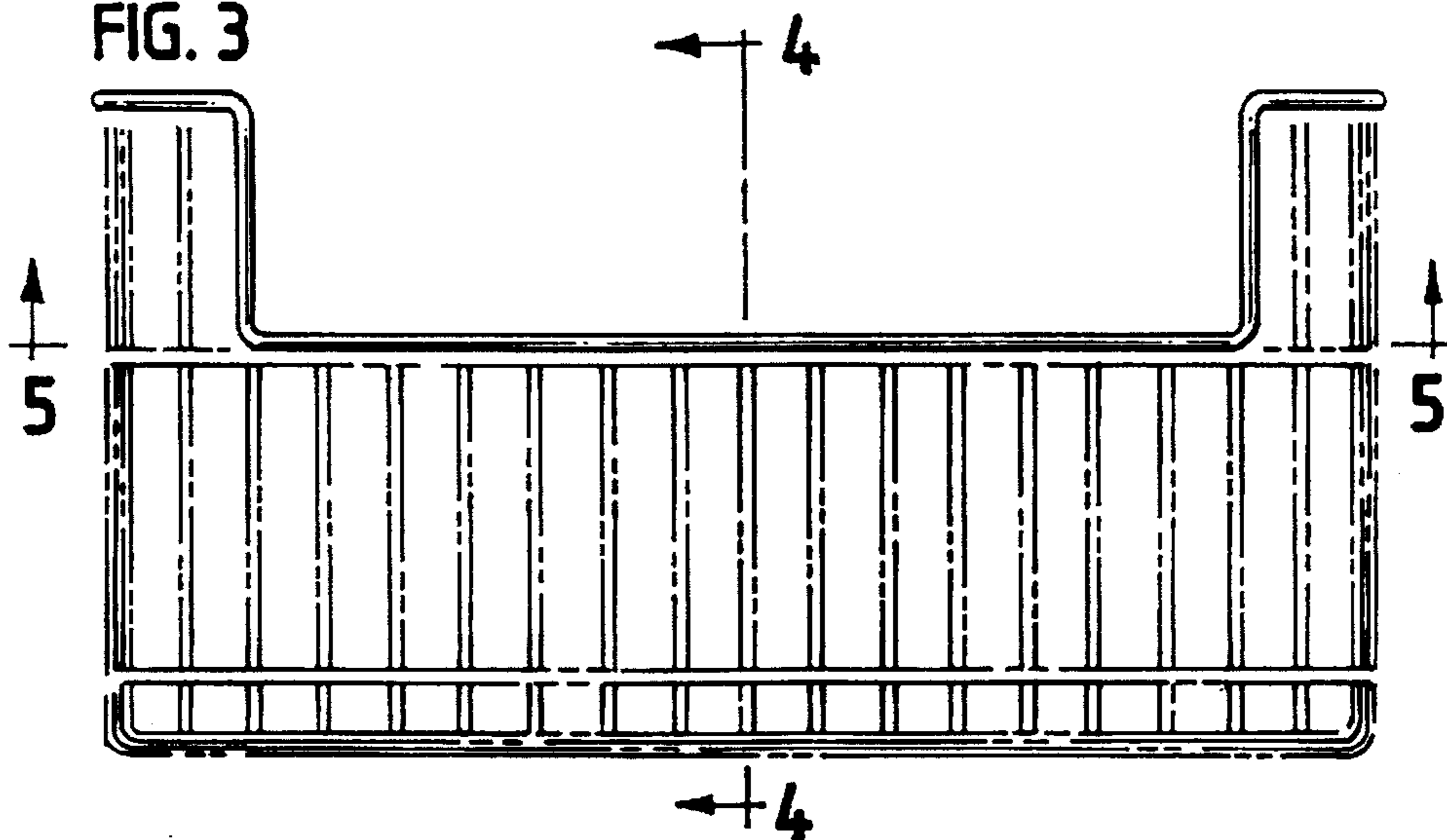


FIG. 4

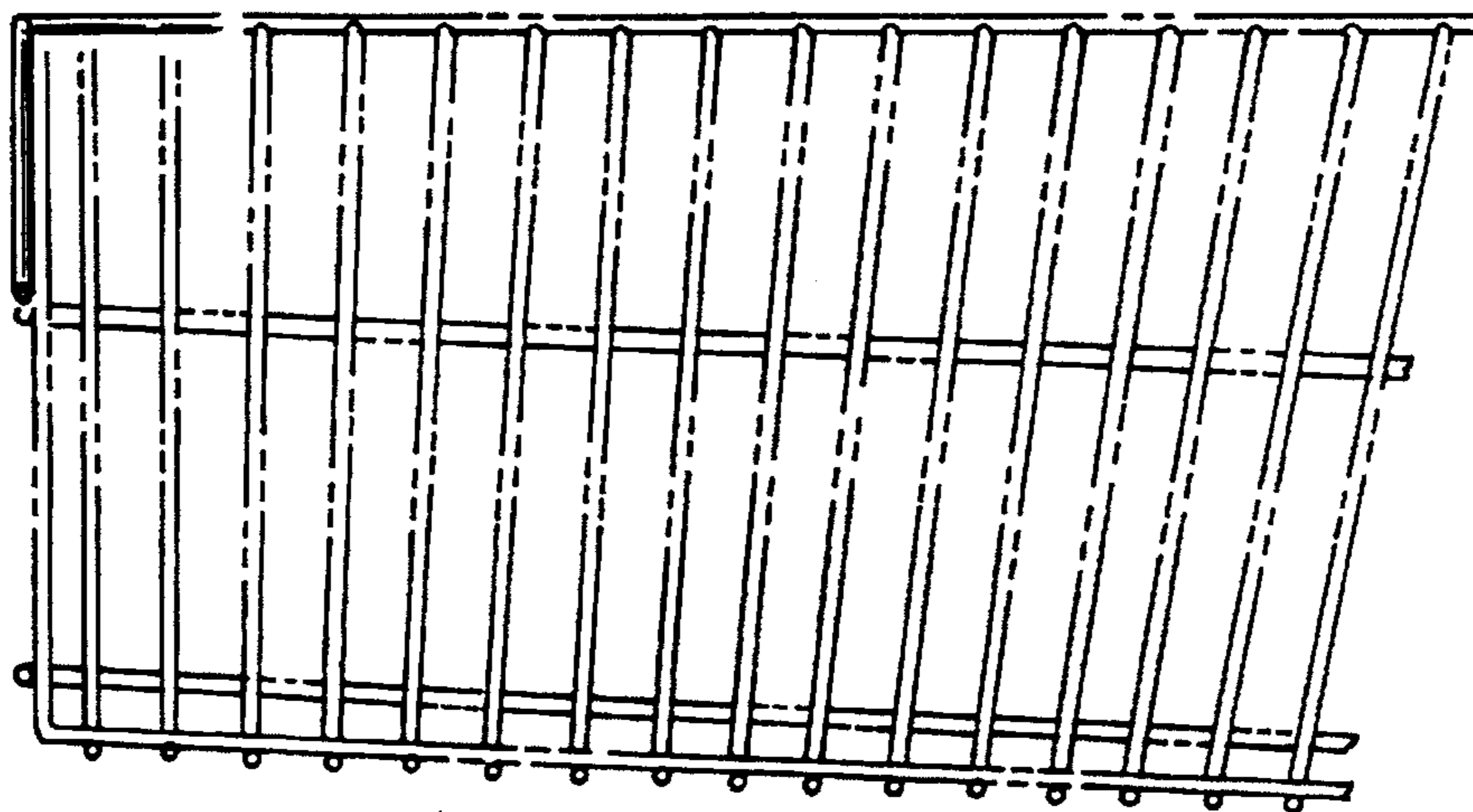


FIG. 5

