



US00D379705S

United States Patent [19]

Delmerico et al.

[11] Patent Number: **Des. 379,705**

[45] Date of Patent: ****Jun. 3, 1997**

[54] POST FOR CART

[75] Inventors: **Paul E. Delmerico**, Winchester, Va.; **Brad Forrest**, Cary, N.C.; **Brian Leonard**, Durham, N.C.; **Joel Wittkamp**, Raleigh, N.C.

[73] Assignee: **Rubbermaid Commercial Products, Inc.**, Winchester, Va.

[**] Term: **14 Years**

[21] Appl. No.: **47,474**

[22] Filed: **Dec. 5, 1995**

[51] LOC (6) Cl. **12-02**

[52] U.S. Cl. **D34/27; D25/122**

[58] Field of Search **D34/127, 12; 280/33.992, 280/33.995, 33.993; D25/119, 124, 122**

[56] References Cited

U.S. PATENT DOCUMENTS

D. 199,670	12/1964	Inglis	D14/3
D. 275,044	8/1984	Hampshire et al.	D34/21
D. 302,064	7/1989	Delmerico	D34/20
D. 323,915	2/1992	Welch	D34/21
D. 333,900	3/1993	Kinnamon et al.	D34/27
D. 343,312	1/1994	Burdick et al.	D25/122
D. 344,382	2/1994	Conaway et al.	D34/21
D. 360,725	7/1995	Snell	D34/21
D. 361,187	8/1995	Snell	D34/21
D. 361,188	8/1995	Perelli	D34/21
D. 361,419	8/1995	Snell	D34/21
D. 361,643	8/1995	Snell	D34/21
D. 363,590	10/1995	Kazmerchek et al.	D34/21
3,797,842	3/1974	Swick, Jr. et al.	280/36 R
4,119,287	10/1978	Mollenkopf	248/243
4,595,107	6/1986	Welsch	211/187
4,644,876	2/1987	Thomas	108/111
4,740,010	4/1988	Moskovitz	280/641
4,763,799	8/1988	Cohn et al.	211/187
4,924,931	5/1990	Miller	160/135
5,016,948	5/1991	Welch et al.	312/250
5,069,511	12/1991	Swets et al.	312/107.5

OTHER PUBLICATIONS

P. E4, Posts for carts; Company name and address unknown. Published at least as early as Feb. 1994.
 Catalog page, Posts for carts; Luxor Corporation, Waukegan, Illinois 60085. Publication date 1987.
 Catalog page, Posts for carts; Company name and address unknown. Published at least as early as Feb. 1994.
 Pp. 1172 and 1174, Posts for carts; Grainger Industrial and Commercial Equipment and Supplies, address unknown. Published at least as early as Jan. 1994.
 P. 24, Posts for carts; Advanced Equipment, 236 Westhampton Avenue, Capitol Heights, Maryland 20743. Published at least as early as Jan., 1994.
 P. 76, Posts for carts; Global Equipment Company, 6598 Hemlock Drive, Hempstead, New York 11550. Published at least as early as Jan., 1994.
 P. 22, Posts for carts; Continental Manufacturing Company, A Division of Contico International Inc., 1234 Byassee Dr., Hazelwood, Missouri 63042. Publication date May, 1994.

(List continued on next page.)

Primary Examiner—Kay H. Chin
 Attorney, Agent, or Firm—Richard B. O’Planick; Lisa B. Riedesel

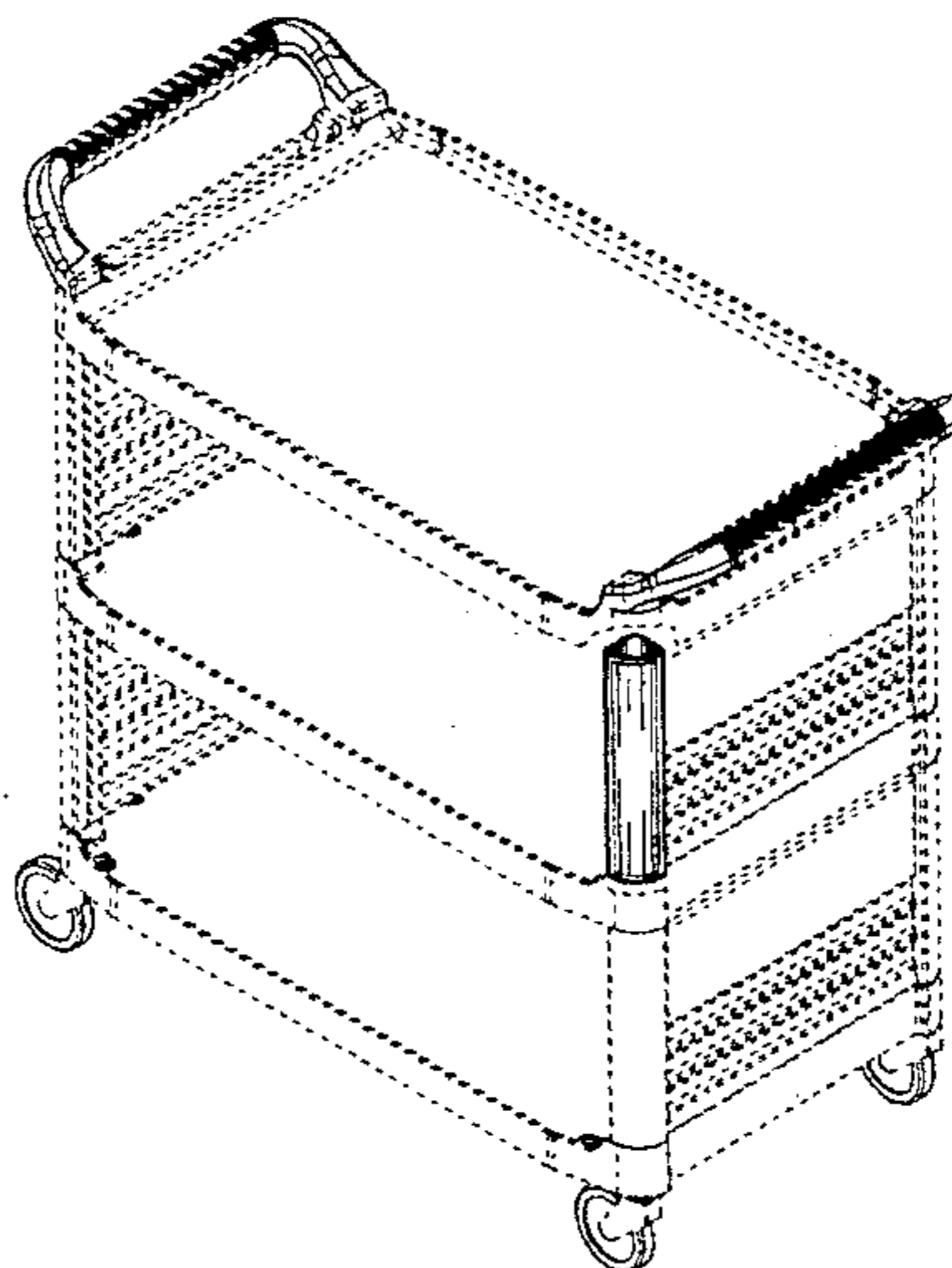
[57] CLAIM

The ornamental design for a post for cart, as shown and described.

DESCRIPTION

FIG. 1 is a top front perspective view of a post for cart showing our new design;
 FIG. 2 is a top plan view thereof, the bottom plan view being a mirror image;
 FIG. 3 is a right side lateral view thereof, the left side lateral view being a mirror image;
 FIG. 4 is a front elevational view thereof; and,
 FIG. 5 is a top front perspective view of the post for cart illustrating its configuration within a cart. The broken line showing of a cart is for illustrative purposes only and forms no part of the claimed design.

1 Claim, 3 Drawing Sheets



OTHER PUBLICATIONS

P. 73-75, Posts for carts; InterMetro Industries Corporation, Wilkes-Barre, Pennsylvania 18705. Publication date 1993.

P. 5 and 6, Posts for carts; Vollrath Company, P. O. Box 611, Sheboygan, Wisconsin 53082-0611. Published at least as early as Jan., 1994.

P. 11, 13 and 15, Posts for carts; Sammons Equipment Manufacturing Corporation, 12226 Coast Drive, Whittier, California 90601. Publication date Jan., 1990.

Pp. 28, 31, 35 and 62, Posts for carts; Lakeside Manufacturing Inc., 1977 South Allis St., Milwaukee, Wisconsin 53207-0912. Published at least as early as Jan., 1994.

Sell sheet, Posts for carts; Lakeside Manufacturing Inc., 1977 South Allis Street, Milwaukee, Wisconsin 53207-0912. Published at least as early as Jun., 1995.

P. 8, Posts for carts; Lakeside Manufacturing Inc., 1977 South Allis Street, Milwaukee, Wisconsin 53207-0912. Published at least as early as Jun., 1995.

P. 12 and 40, Posts for carts; Lakeside Manufacturing Inc., 1977 South Allis St., Milwaukee, Wisconsin 53207-0912. Published at least as early as Jun., 1995.

P. 112, Posts for carts; C & H, address unknown. Publication date Jan./Apr. 1992.

Pp. 105, Posts for carts; Continental/SilLite International, P. O. Box 53006, Oklahoma City, Oklahoma 73152-3006. Published at least as early as Jun., 1995.

P. 11, Posts for carts; Rubbermaid Commercial Products Inc., 3124 Valley Avenue, Winchester, Virginia 22601. Publication date 1994.

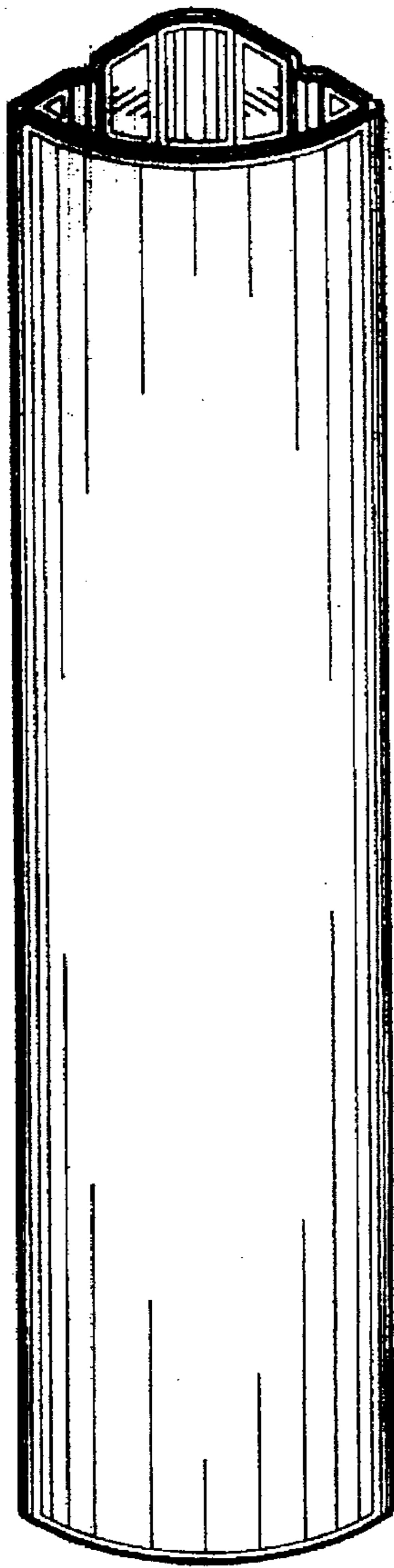


FIG. 1

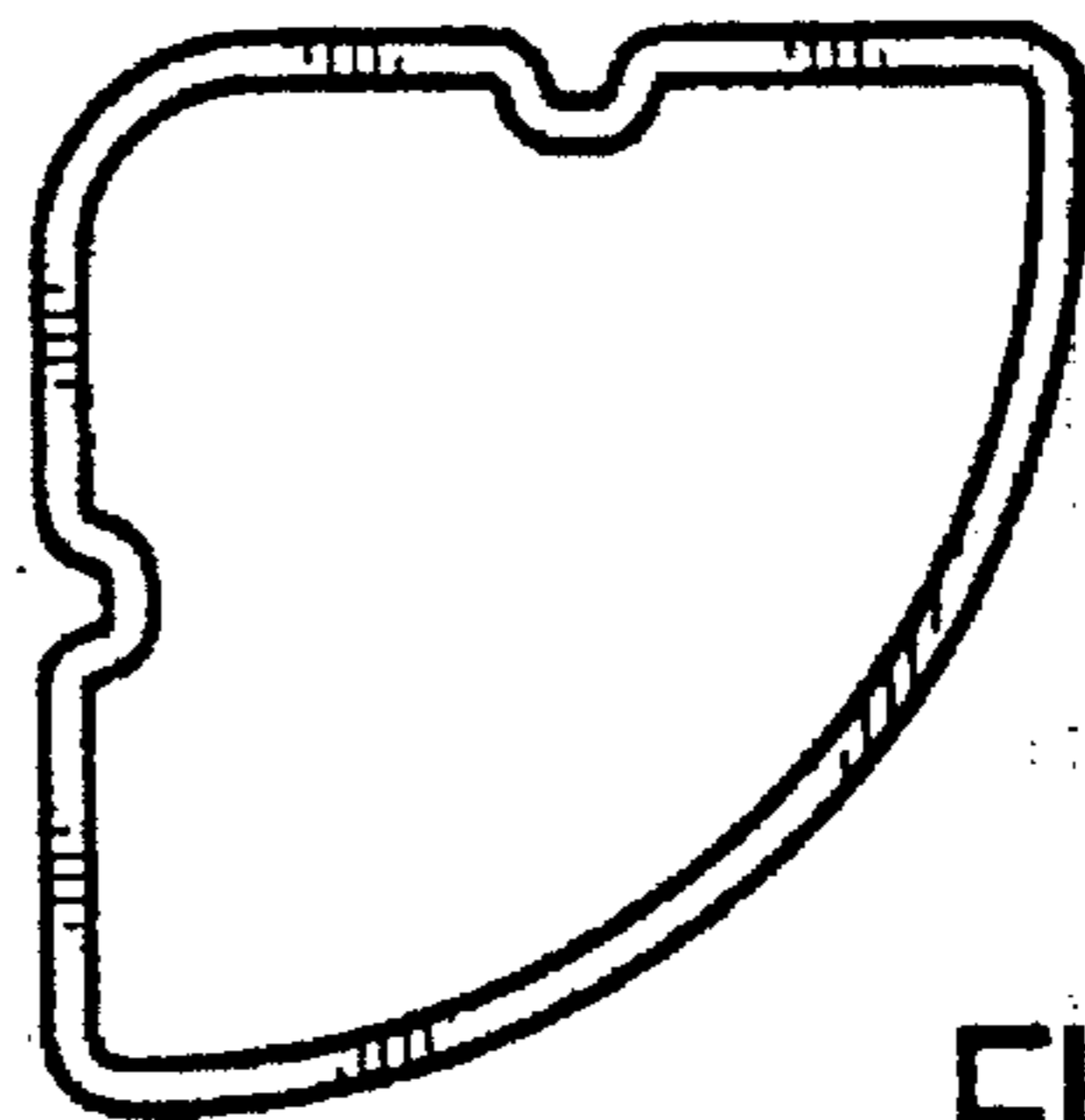


FIG. 2

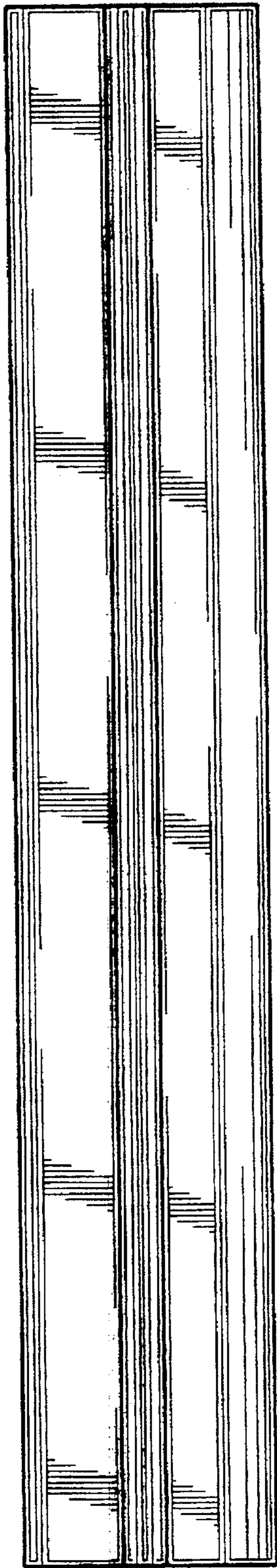


FIG. 3

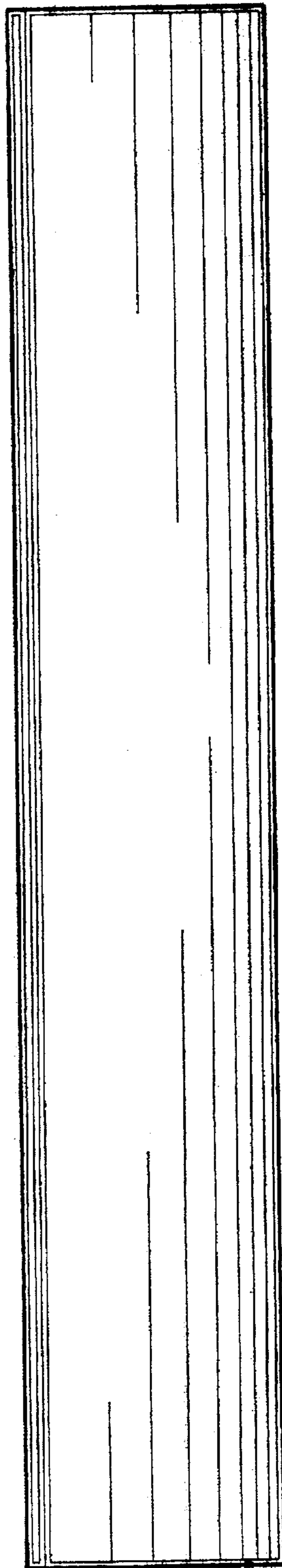


FIG. 4

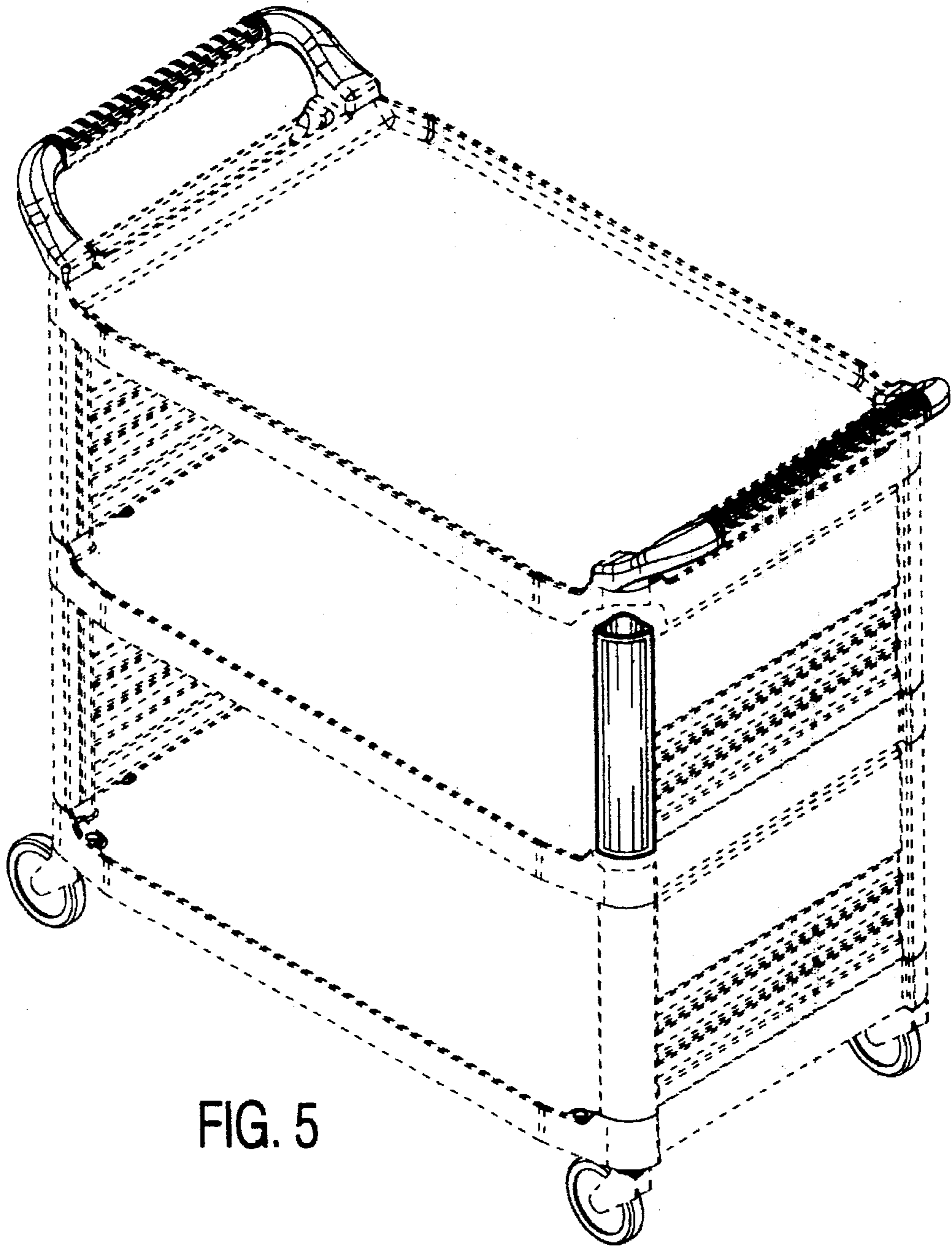


FIG. 5