



US00D379704S

United States Patent [19]

Corlett et al.

[11] Patent Number: **Des. 379,704**

[45] Date of Patent: ****Jun. 3, 1997**

[54] **COOLER CADDY**

5,193,842 3/1993 Fontenot .
5,313,817 5/1994 Meinders .

[76] Inventors: **Phyllis M. Corlett; William R. Corlett**, both of 18890 Geauga Lake Rd., Bainbridge Township, Ohio 44023

FOREIGN PATENT DOCUMENTS

1509040 11/1966 France D34/26
1469640 4/1977 United Kingdom 280/652

[**] Term: **14 Years**

Primary Examiner—Kay H. Chin

[21] Appl. No.: **50,712**

[57] **CLAIM**

[22] Filed: **Feb. 23, 1996**

The ornamental design for a cooler caddy, as shown and described.

[51] LOC (6) Cl. **12-02**

[52] U.S. Cl. **D34/24; D34/26**

[58] Field of Search D34/12-27; 280/654, 280/655, 47.19, 47.29, 42, 652; 211/132

DESCRIPTION

[56] **References Cited**

FIG. 1 is a perspective view of the cooler caddy showing our new design;

FIG. 2 is a front elevational view thereof;

FIG. 3 is a rear elevational view thereof;

FIG. 4 is a left side elevational view thereof; and,

FIG. 5 is a right side elevational view thereof with the base in a folded position.

U.S. PATENT DOCUMENTS

D. 302,891 8/1989 Lardell .
4,865,346 9/1989 Carile .
4,887,837 12/1989 Bonewicz, Jr. et al. 280/47.26
5,159,777 11/1992 Gonzalez .
5,169,164 12/1992 Bradford .

1 Claim, 3 Drawing Sheets

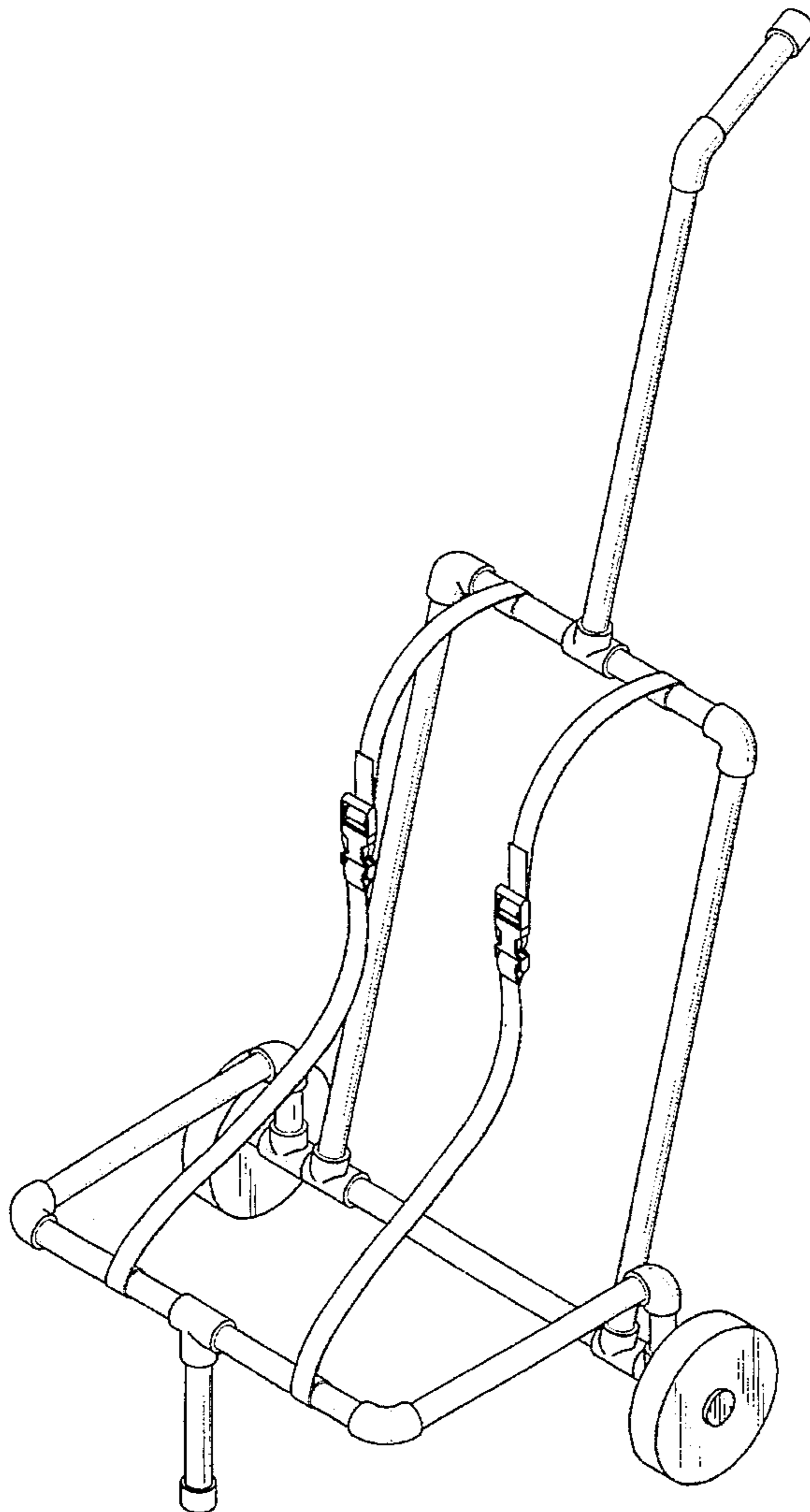


FIG. 1

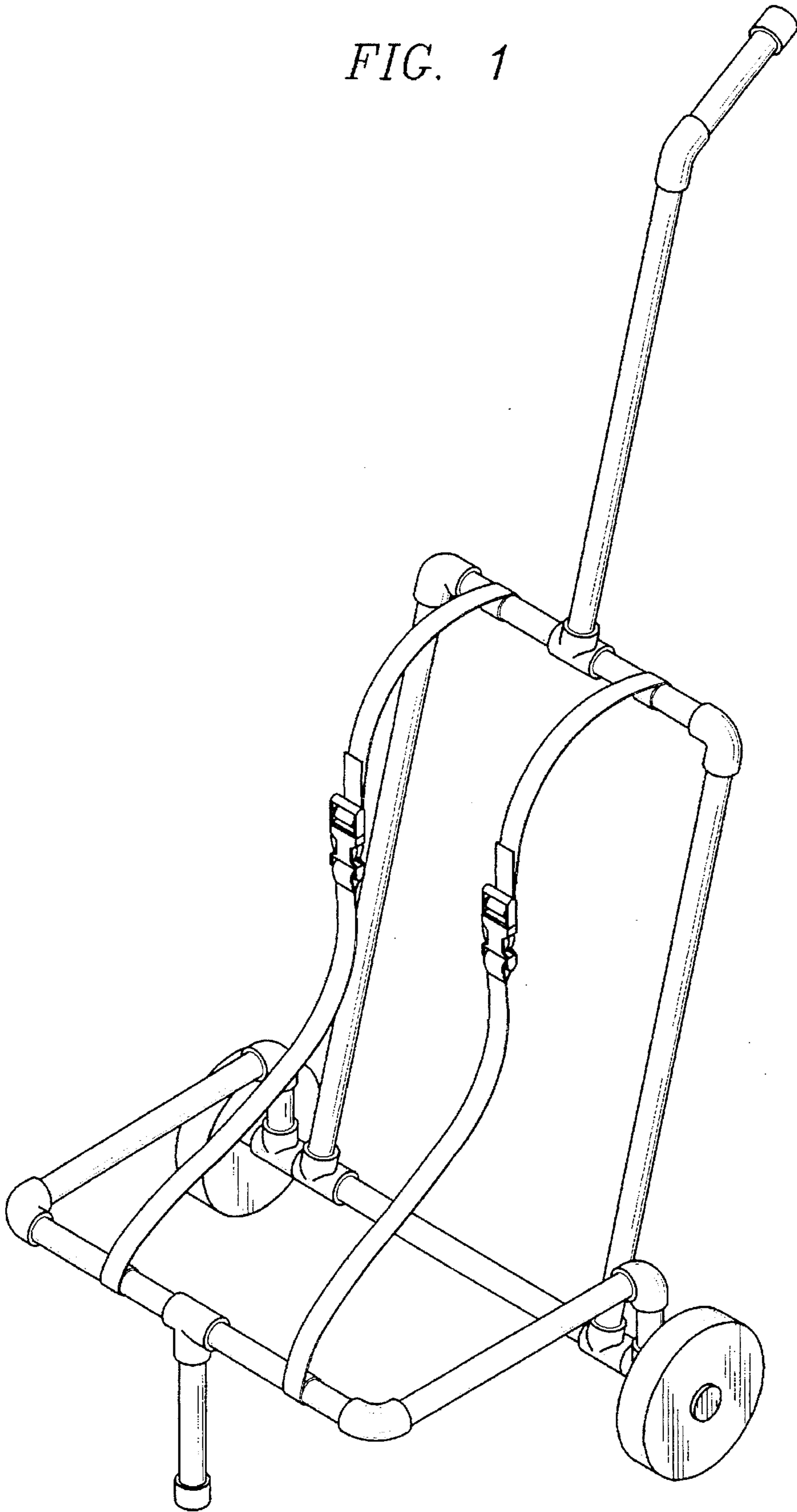


FIG. 2

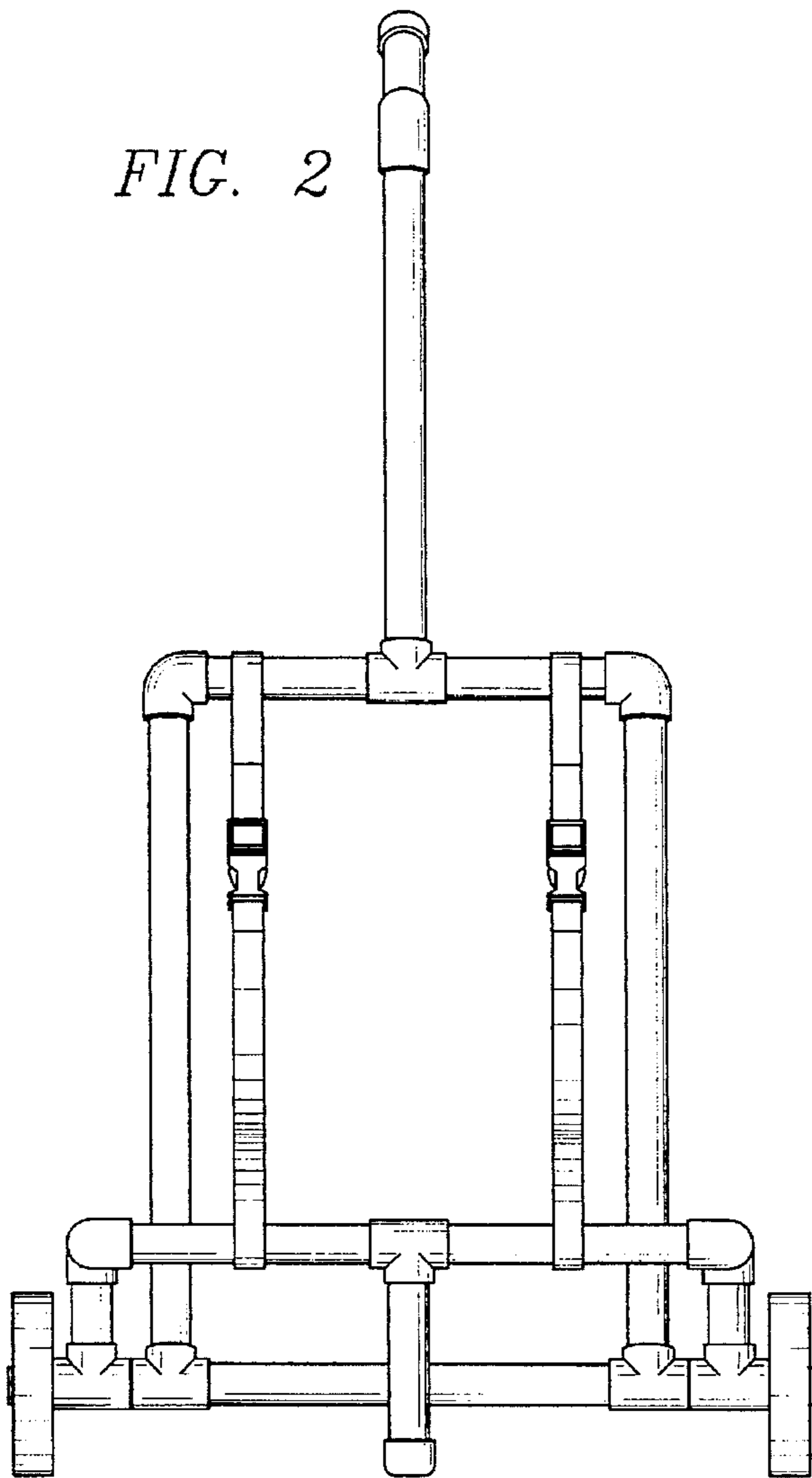
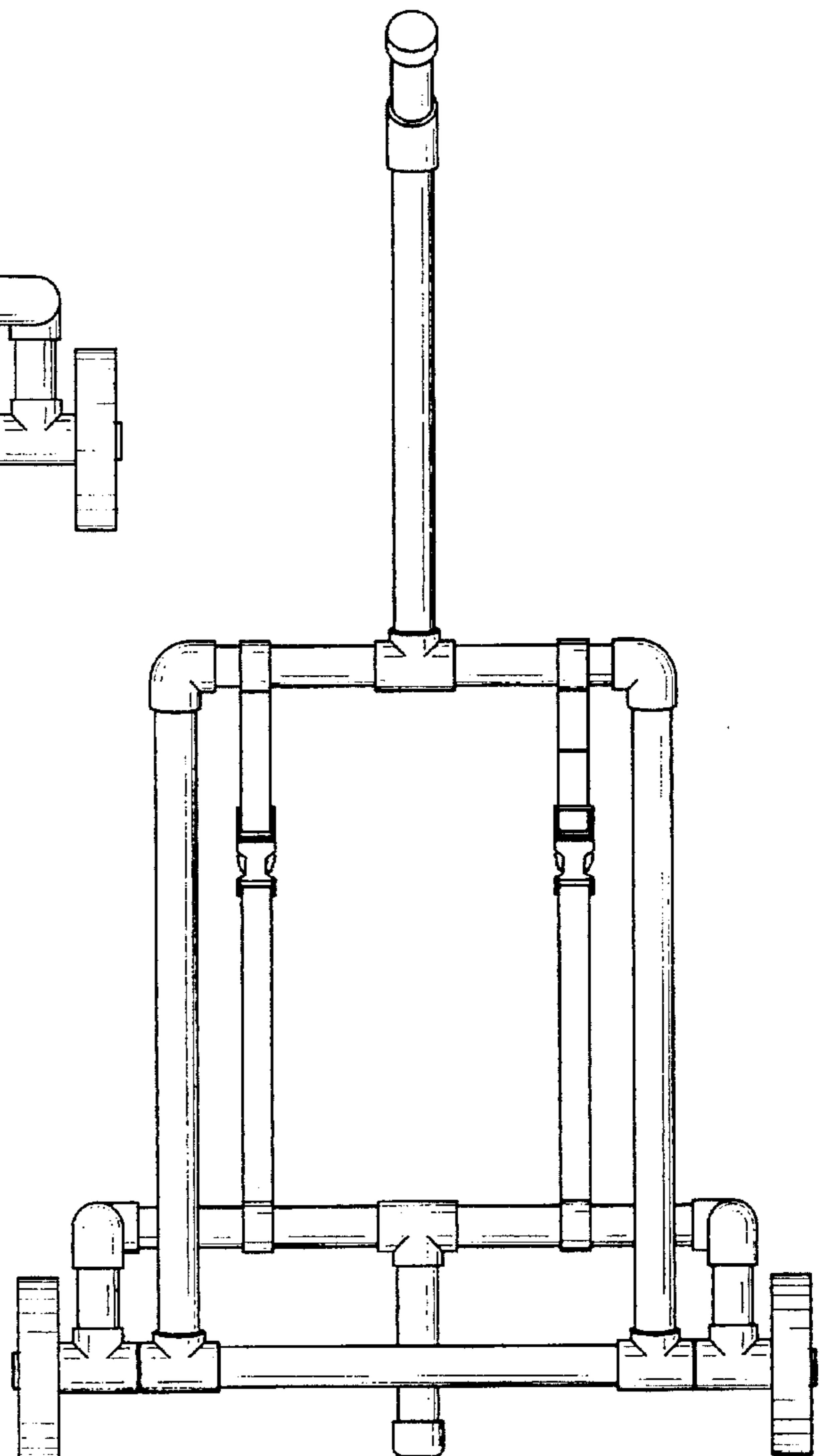


FIG. 3



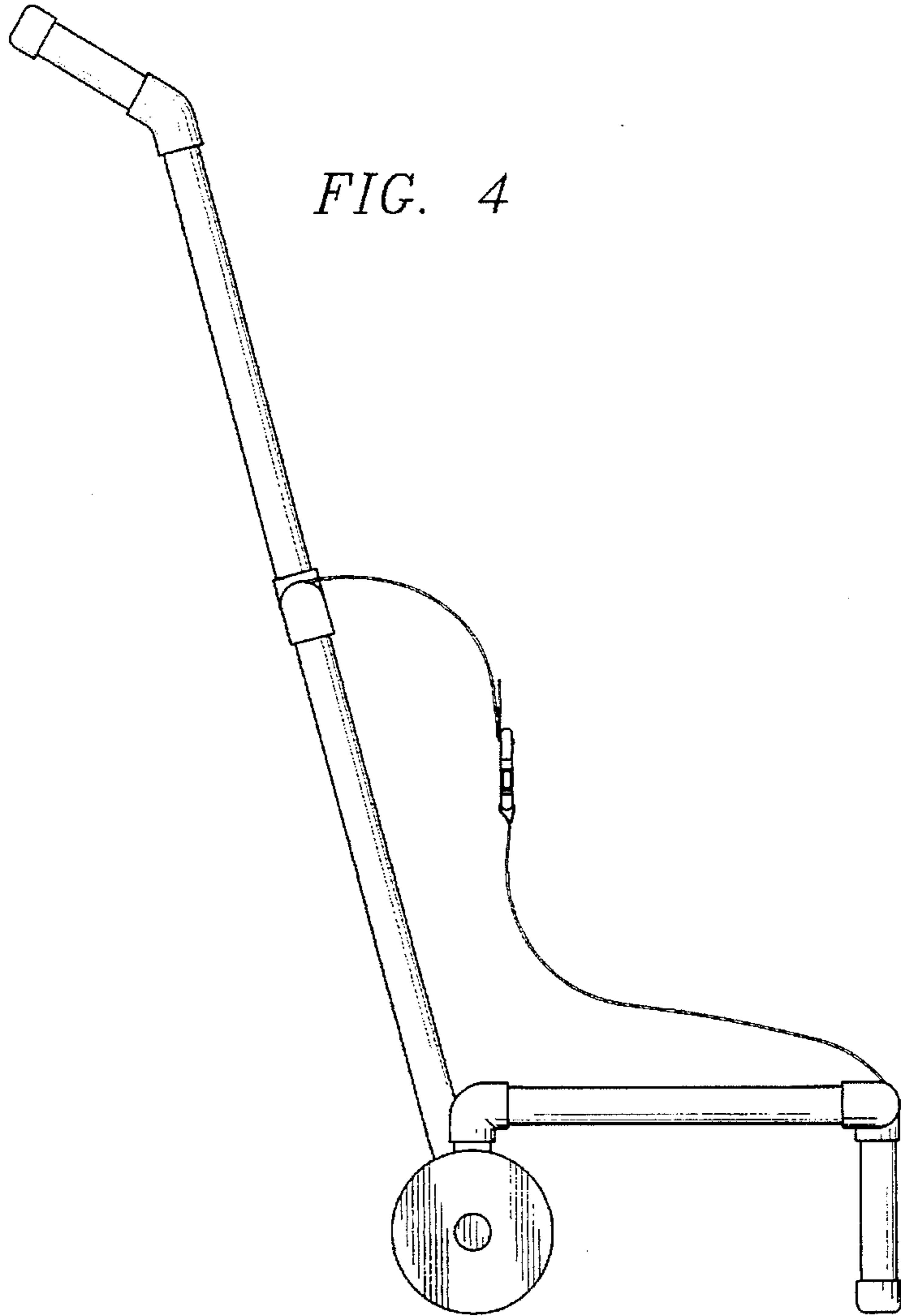


FIG. 4

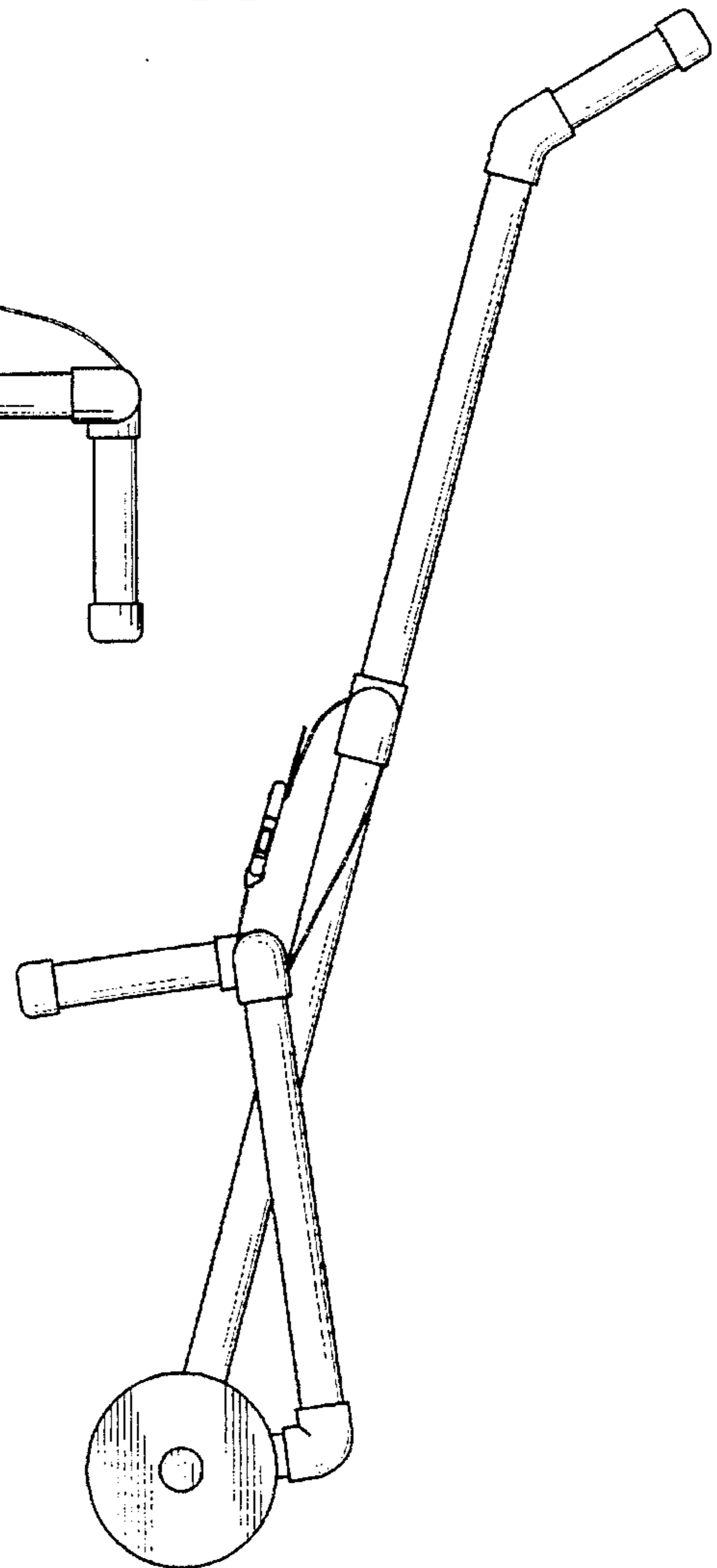


FIG. 5