



US00D379701S

United States Patent [19]

Copeland, Sr.

[11] Patent Number: **Des. 379,701**

[45] Date of Patent: ****Jun. 3, 1997**

[54] **MOBILE PAINT TRAY**

[75] Inventor: **Lorenzo Copeland, Sr.**, 2414 Tahoe Blvd., Colorado Springs, Colo. 80910

[73] Assignee: **Lorenzo Copeland, Sr.**, Colorado Springs, Colo.

[**] Term: **14 Years**

[21] Appl. No.: **803,329**

[22] Filed: **Jun. 25, 1992**

[51] LOC (6) Cl. **19-06**

[52] U.S. Cl. **D32/53.1**

[58] Field of Search D32/53, 53.1, D32/54; 15/257, 257.05, 257.06, 248.2; 206/515, 518, 557; 220/520, 570, 571; D8/375

[56] **References Cited**

U.S. PATENT DOCUMENTS

- D. 204,368 4/1966 von Tersch D8/375
- D. 208,969 10/1967 Paxton D32/53.1
- D. 328,808 8/1992 Goetz D32/53.1
- D. 332,512 1/1993 Bernard D32/53.1
- 2,392,208 1/1946 Wilken 15/264

- 2,977,624 4/1961 Tarr D32/53.1
- 3,926,452 12/1975 Goines 15/264
- 4,815,160 3/1989 Smith 15/264

FOREIGN PATENT DOCUMENTS

- 1352969 5/1974 United Kingdom 220/570

Primary Examiner—A. Hugo Word
Assistant Examiner—Robin V. Taylor
Attorney, Agent, or Firm—Lorenzo Copeland, Sr.

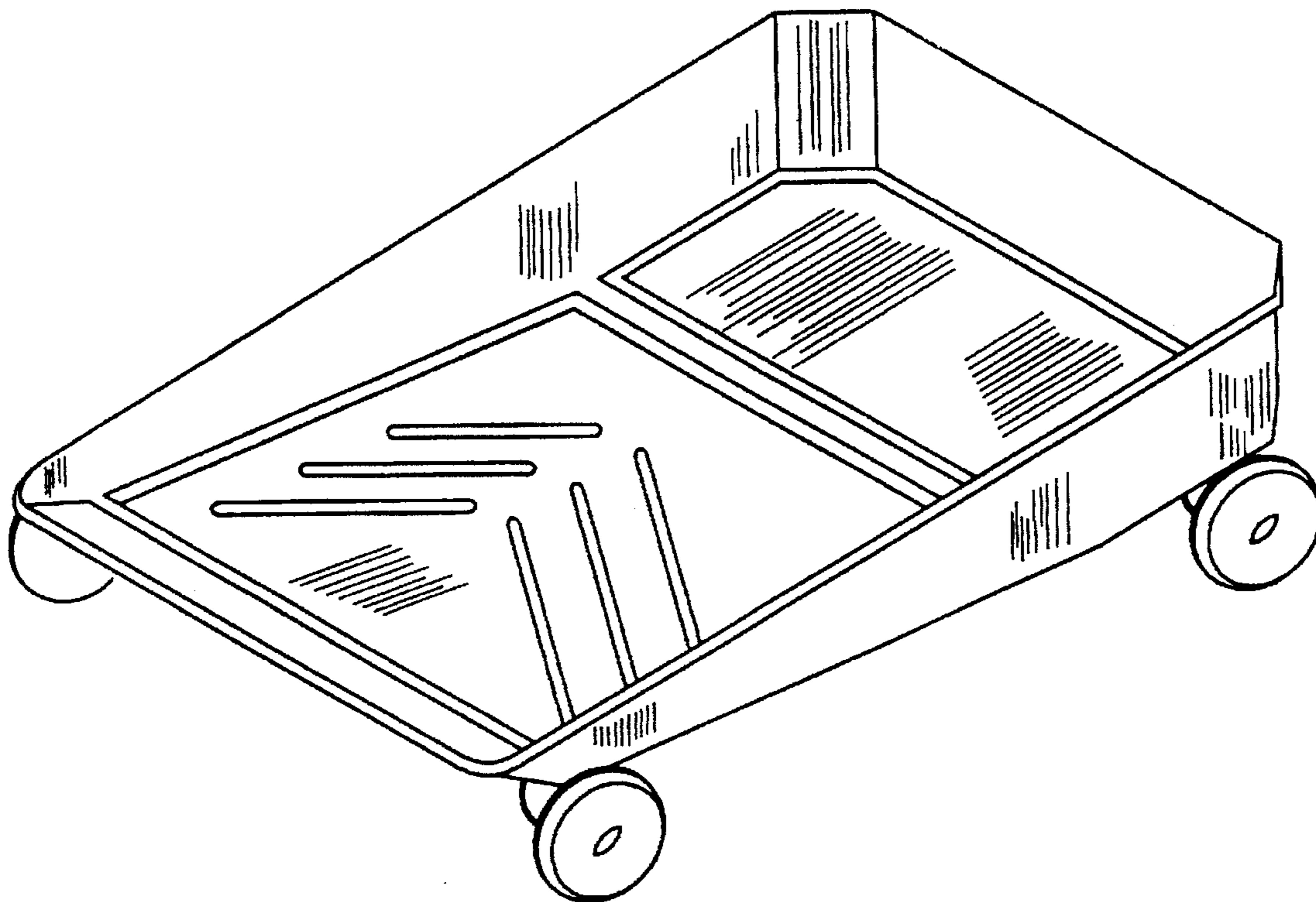
[57] **CLAIM**

The ornamental design for a mobile paint tray, as shown and described.

DESCRIPTION

FIG. 1 is a perspective top view of a mobile paint tray showing my new design;
FIG. 2 is a rear elevational view of a mobile paint tray showing my new design;
FIG. 3 is a front view of a mobile paint tray showing my new design;
FIG. 4 is a perspective side view of a mobile paint tray; and,
FIG. 5 is a bottom view of a mobile paint tray showing my new design.

1 Claim, 3 Drawing Sheets



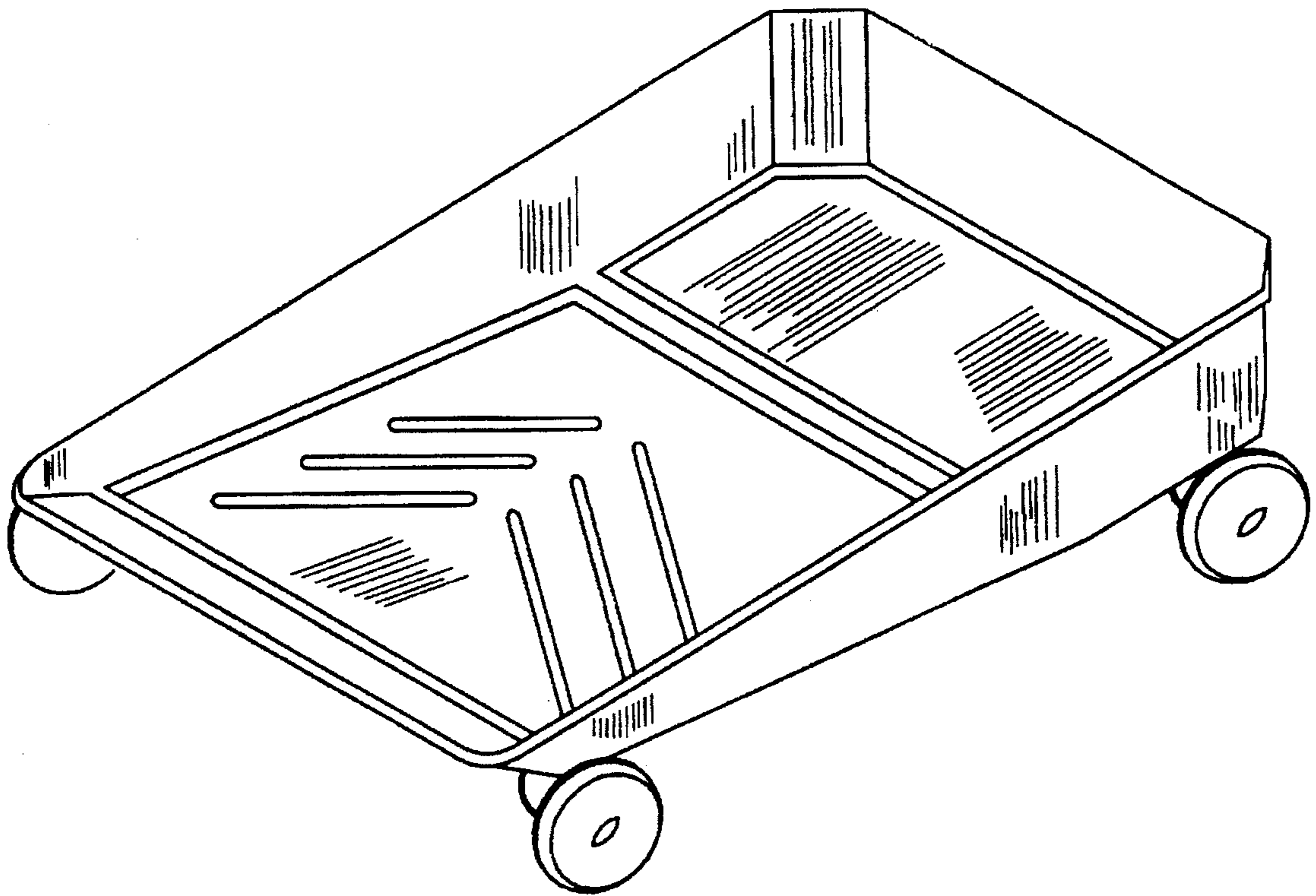


FIGURE 1

FIGURE 2

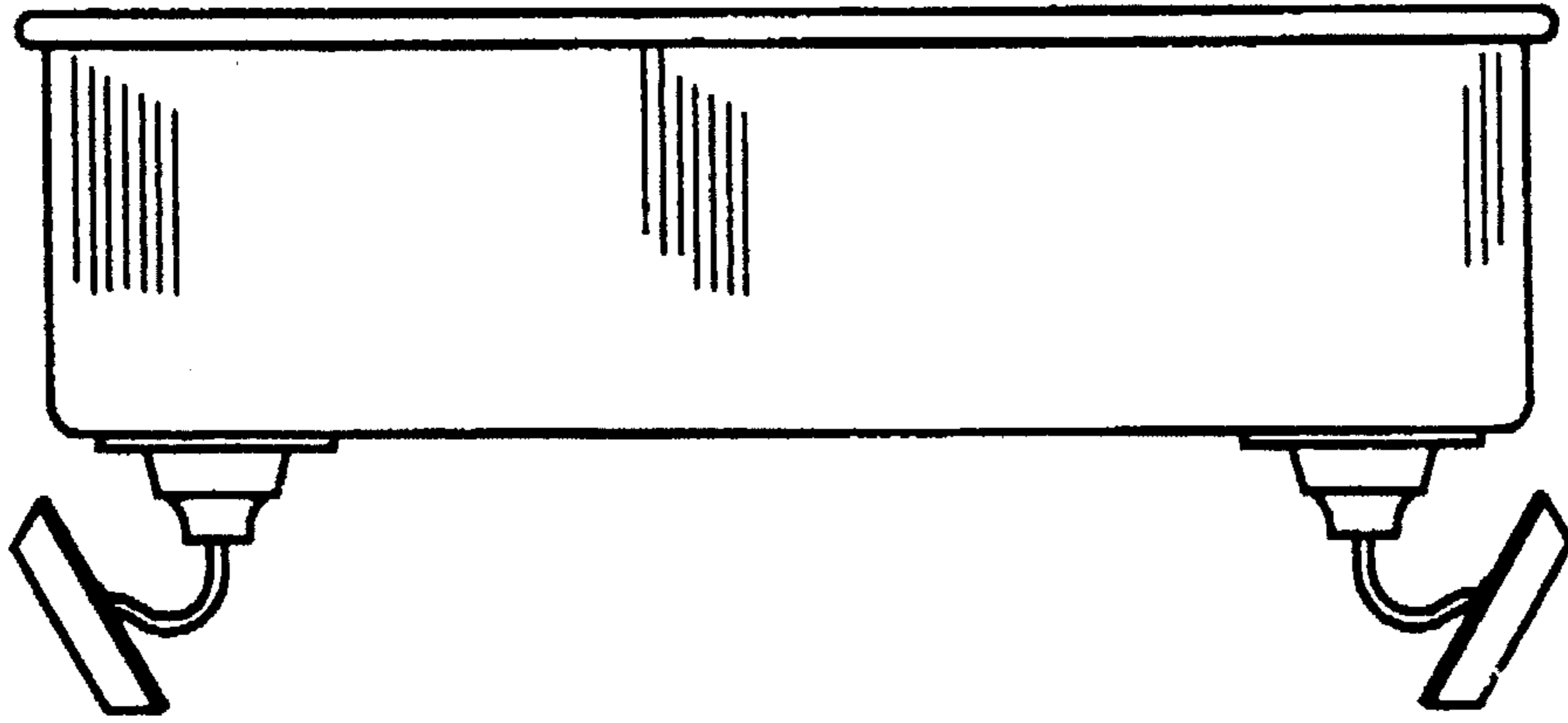


FIGURE 3

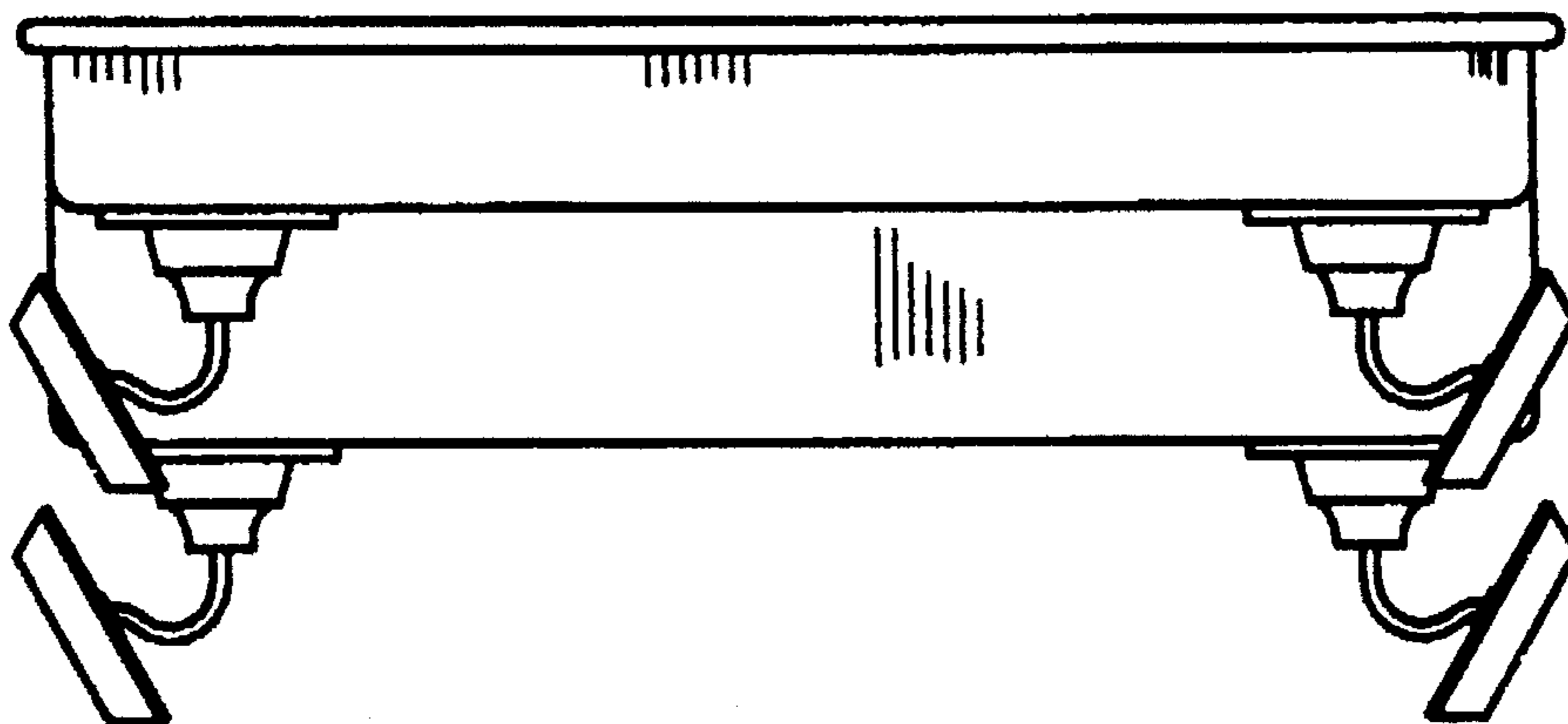


FIGURE 4

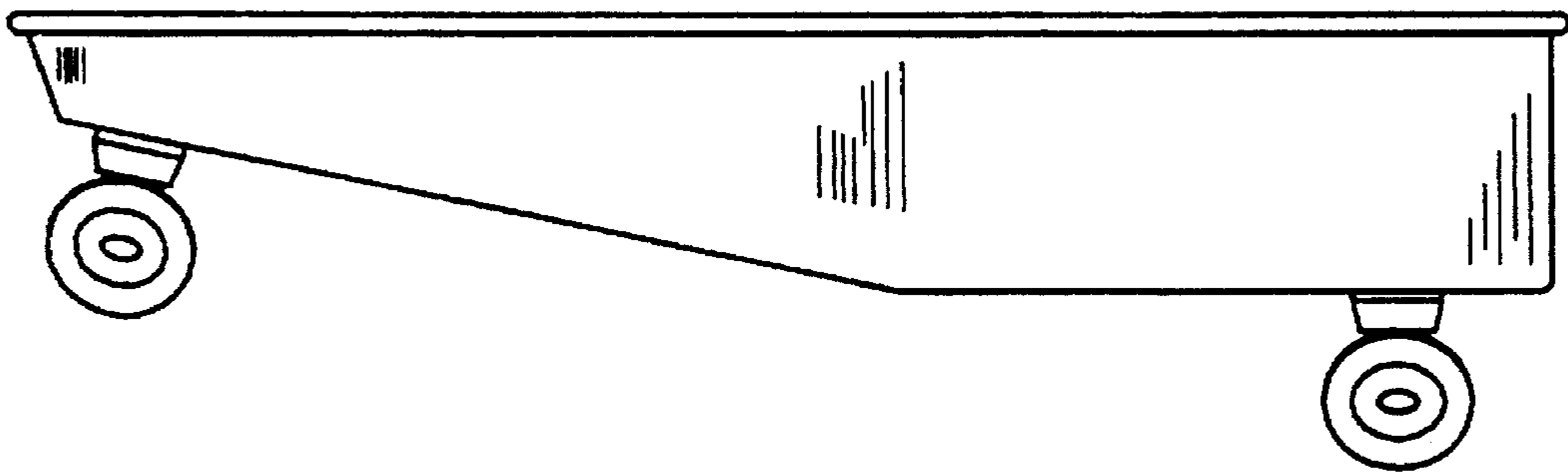


FIGURE 5

