



US00D379700S

United States Patent [19]

Vogel et al.

[11] Patent Number: **Des. 379,700**

[45] Date of Patent: ****Jun. 3, 1997**

[54] **WALL PAPER PASTE DISPENSER**

5,195,636 3/1993 Wridt 220/770

[75] Inventors: **Alvin R. Vogel; James A. Arnold**, both of Indianapolis, Ind.

Primary Examiner—A. Hugo Word

Assistant Examiner—Robin V. Taylor

Attorney, Agent, or Firm—Woodard, Emhardt, Naughton, Moriarty & McNett

[73] Assignee: **Speed-Pro, Inc.**, Indianapolis, Ind.

[**] Term: **14 Years**

[57] CLAIM

[21] Appl. No.: **48,855**

The ornamental design for a wall paper paste dispenser, as shown and described.

[22] Filed: **Jan. 5, 1996**

DESCRIPTION

[51] LOC (6) Cl. **07-07**

[52] U.S. Cl. **D32/53**

[58] Field of Search D32/53-54; 220/764, 220/770; 15/257.01, 257.05, 257.06, 77, 102, 302

FIG. 1 is a front elevational view of a wall paper paste dispenser, showing a typical embodiment of our new design;

FIG. 2 is a top plan view thereof;

FIG. 3 is an enlarged left-hand side elevational view thereof;

FIG. 4 is an enlarged right-hand side elevational view thereof;

FIG. 5 is a perspective view thereof;

FIG. 6 is a bottom plan view thereof; and,

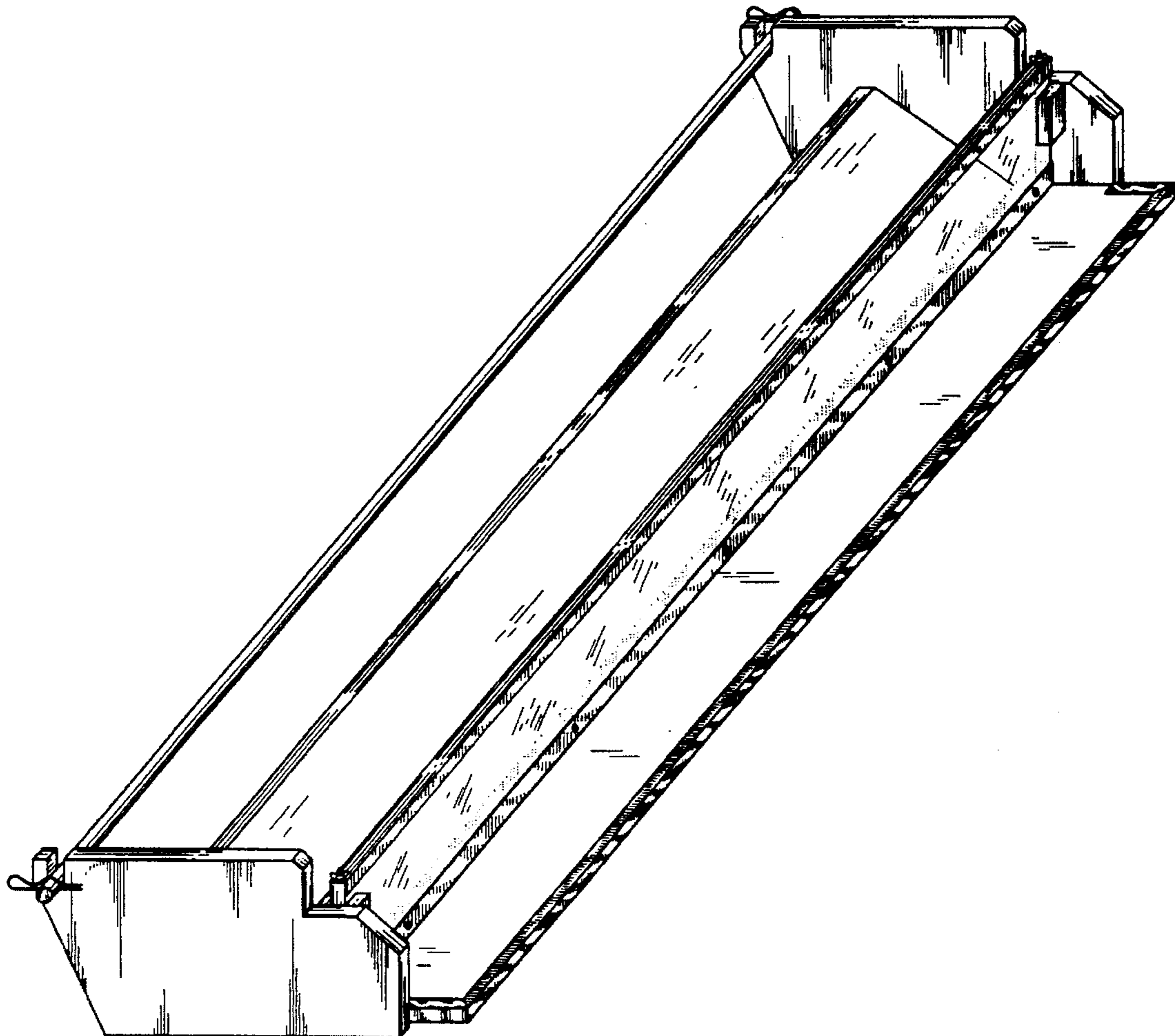
FIG. 7 is a rear elevational view thereof.

[56] References Cited

U.S. PATENT DOCUMENTS

D. 157,213	2/1950	Stevens	D32/53.1
D. 369,001	4/1996	Hedges	D32/53.1
1,428,528	9/1922	Bryan	15/257.05

1 Claim, 7 Drawing Sheets



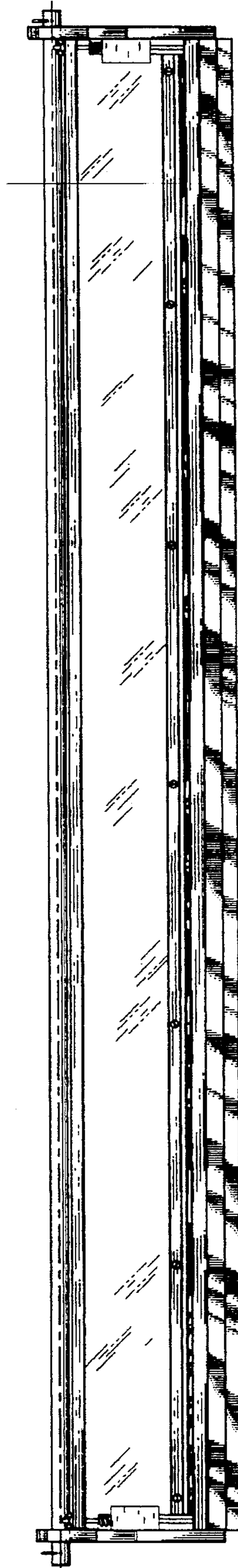


FIG. 1

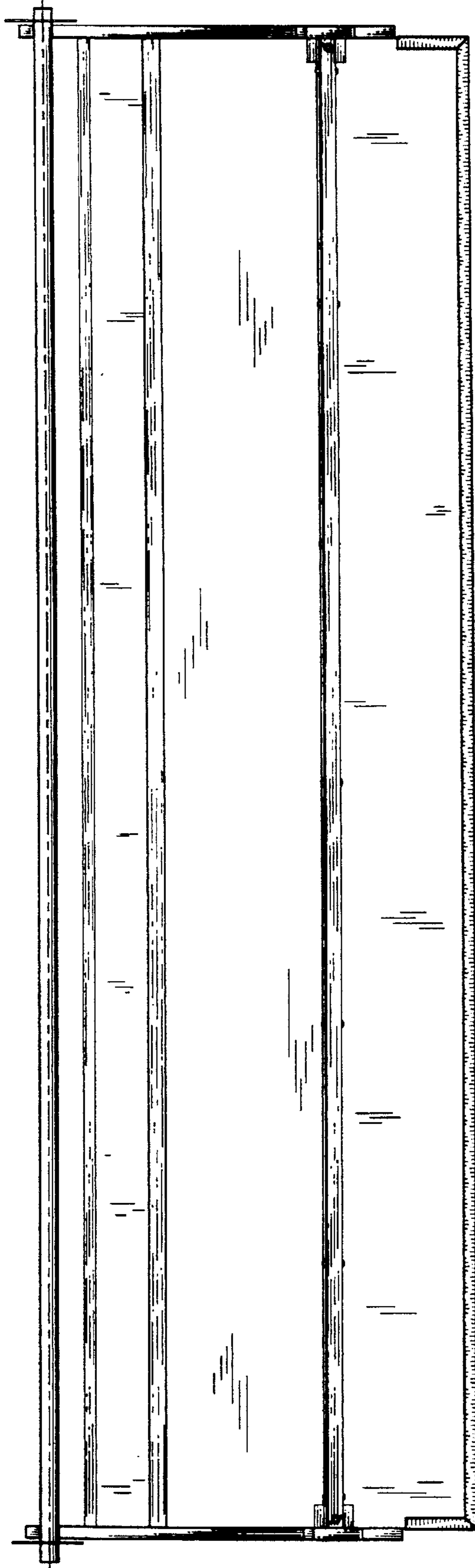


FIG. 2

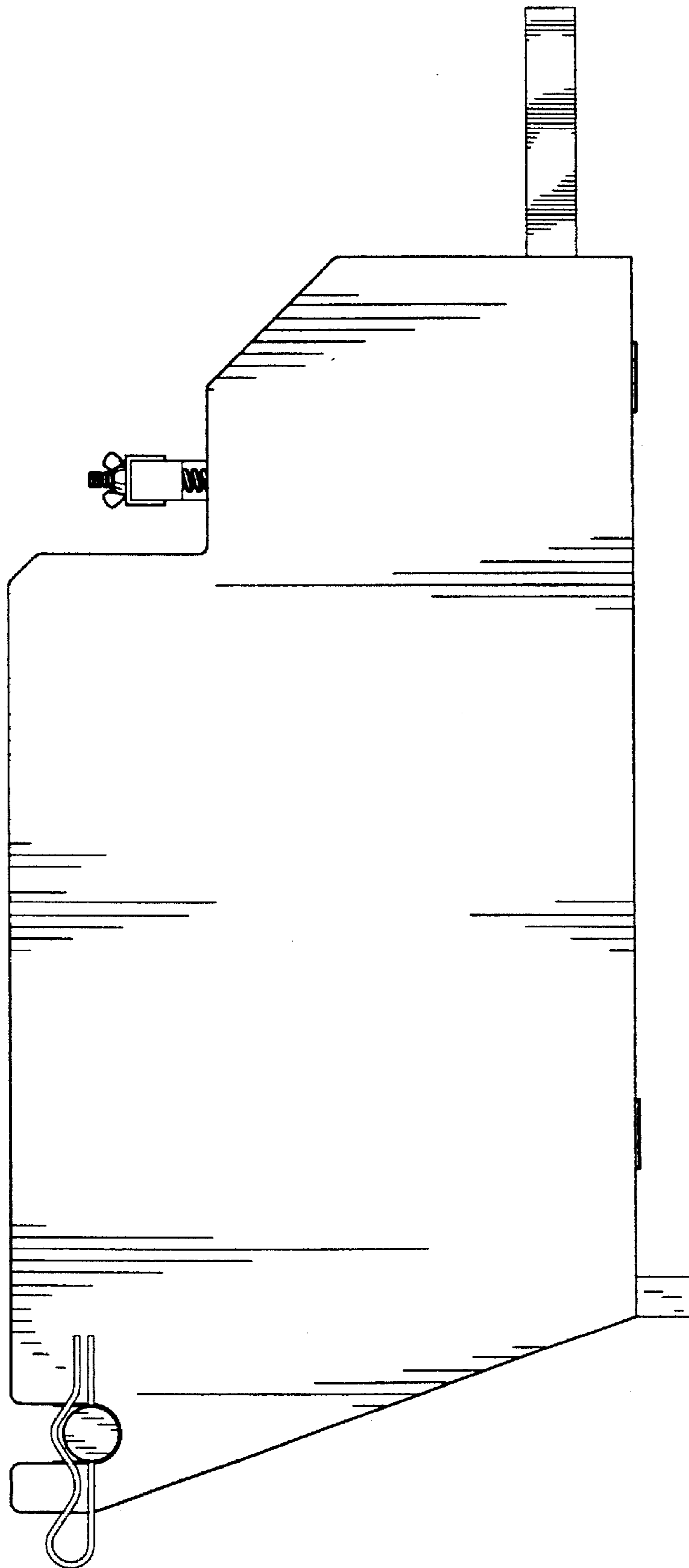


FIG. 3

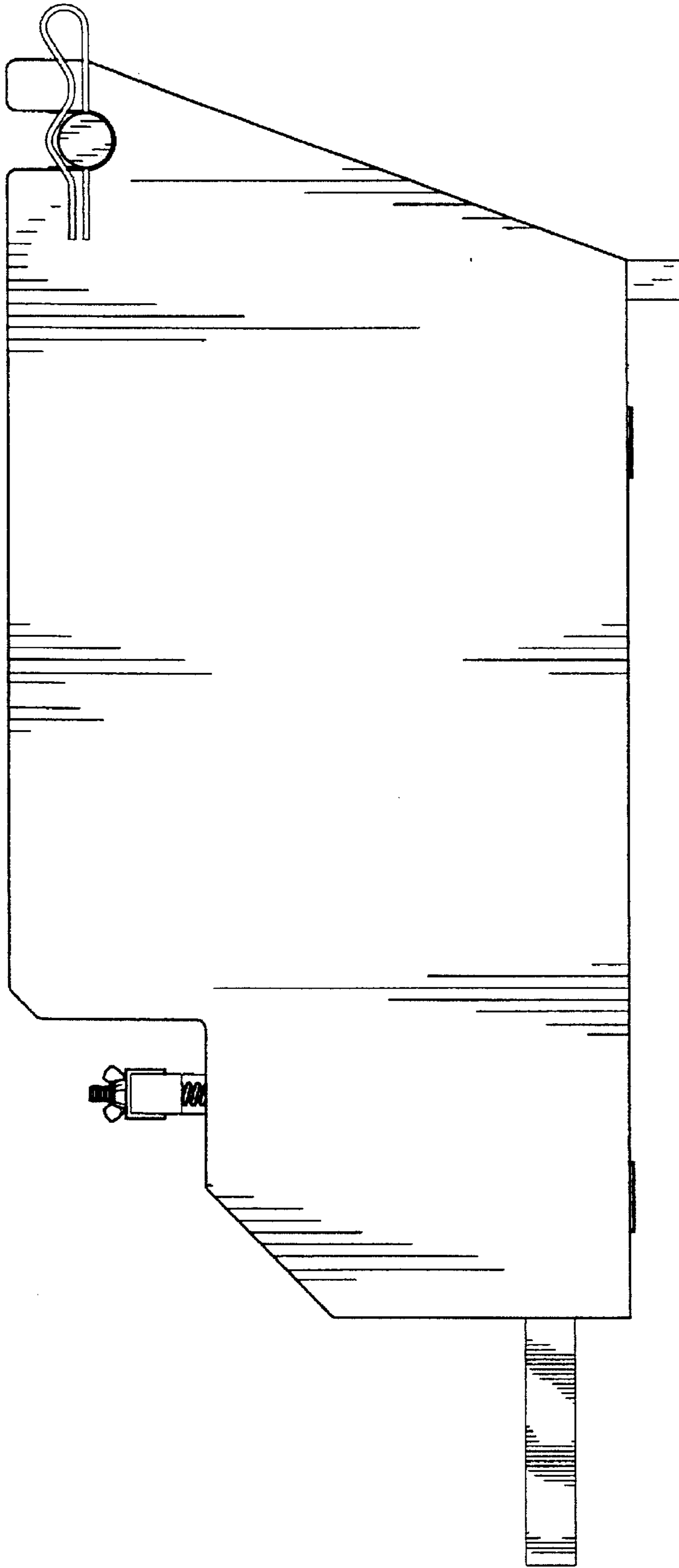


FIG. 4

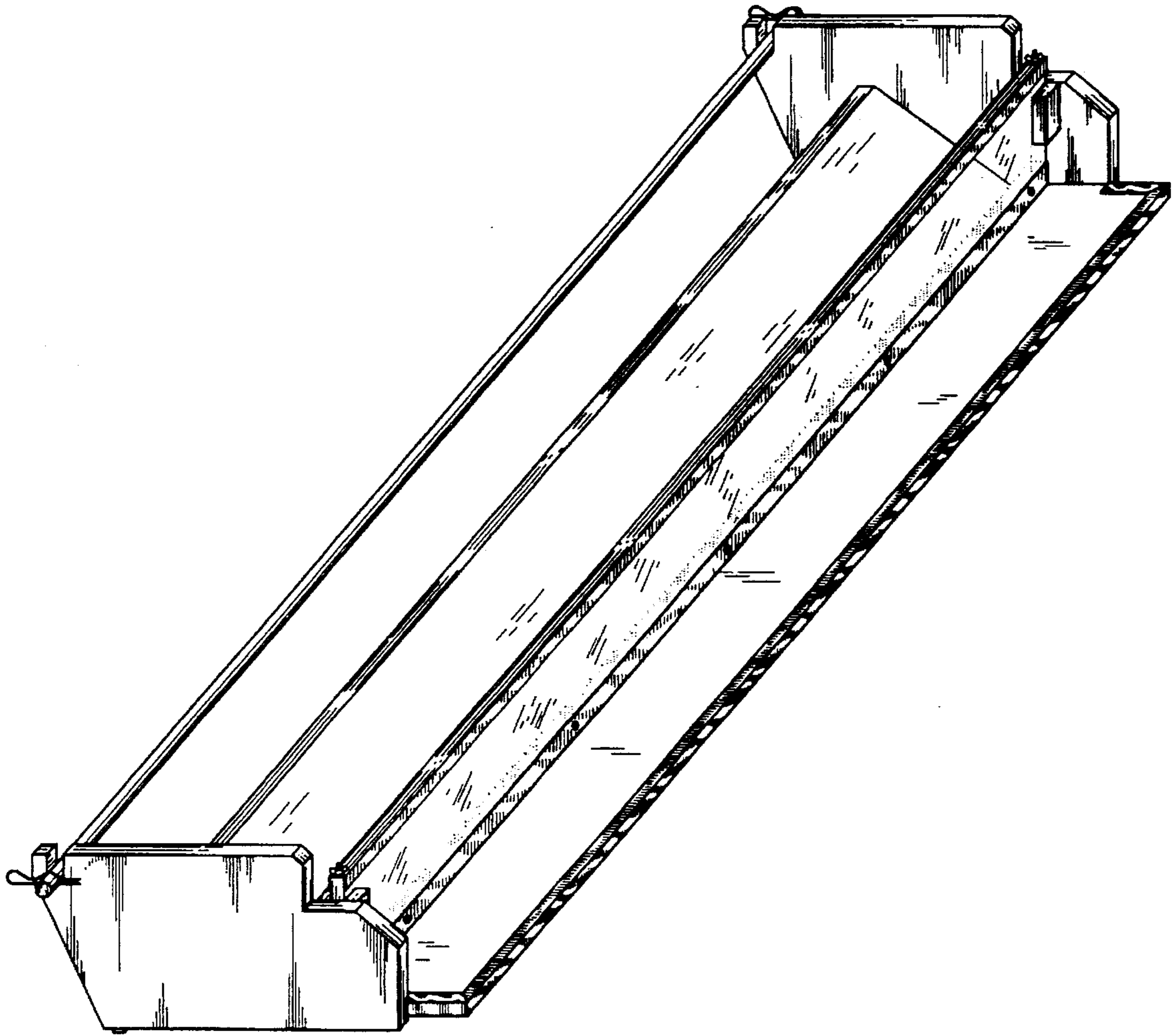


FIG. 5

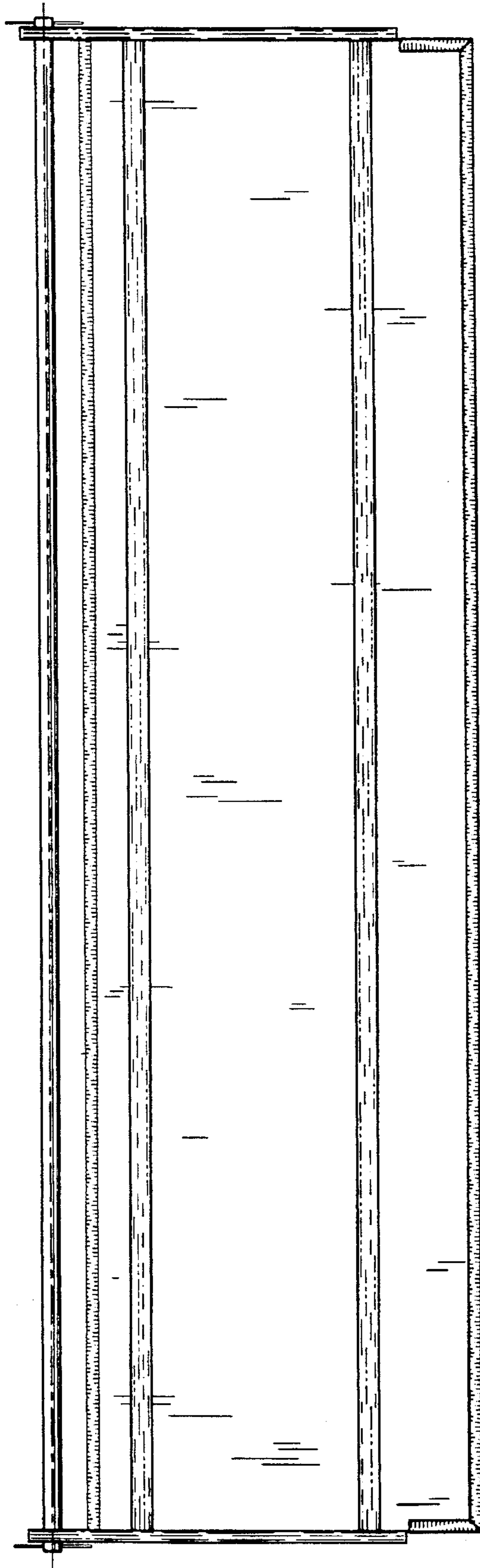


FIG. 6

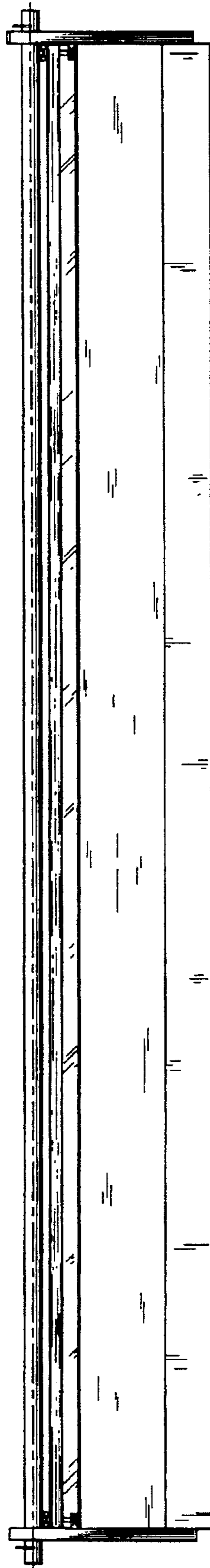


FIG. 7