



US00D379694S

United States Patent [19]

[11] Patent Number: Des. 379,694

Bradd

[45] Date of Patent: **Jun. 3, 1997

[54] UPRIGHT EXTRACTOR RECOVERY TANK

[75] Inventor: Sidney H. Bradd, Solon, Ohio

[73] Assignee: The Hoover Company, North Canton, Ohio

[**] Term: 14 Years

[21] Appl. No.: 34,128

[22] Filed: Jan. 27, 1995

D. 288,016	1/1987	Watkins et al.	D32/22
D. 306,087	2/1990	Woodhall et al.	D32/22
D. 343,707	1/1994	Dyson	D32/22
D. 345,830	4/1994	Furcron et al.	D32/22
D. 346,247	4/1994	Furcron et al.	D32/22
D. 346,467	4/1994	Furcron et al.	D32/22

Primary Examiner—Ruth McInroy
Attorney, Agent, or Firm—A. Burgess Lowe; Bruce P. Watson

Related U.S. Application Data

[62] Division of Ser. No. 5,972, Feb. 5, 1993, Pat. No. Des. 358,241.

[51] LOC (6) Cl. 15-05

[52] U.S. Cl. D32/31

[58] Field of Search D32/21, 22, 31-34;
15/323-326, 331-337, 347, 350-351, 361,
412, 413, 415.1

[56] References Cited

U.S. PATENT DOCUMENTS

D. 287,894 1/1987 Watkins et al. D32/22

[57] CLAIM

The ornamental design for an upright extractor recovery tank, as shown and described.

DESCRIPTION

FIG. 1 is a left side elevational view of an upright extractor recovery tank showing my new design; FIG. 2 is an enlarged left side elevational view thereof, the right side being a mirror image; FIG. 3 is an enlarged front elevational view thereof; and, FIG. 4 is an enlarged top plan view thereof. The details shown in broken lines are shown for illustrative purposes only and form no part of the claimed design.

1 Claim, 3 Drawing Sheets

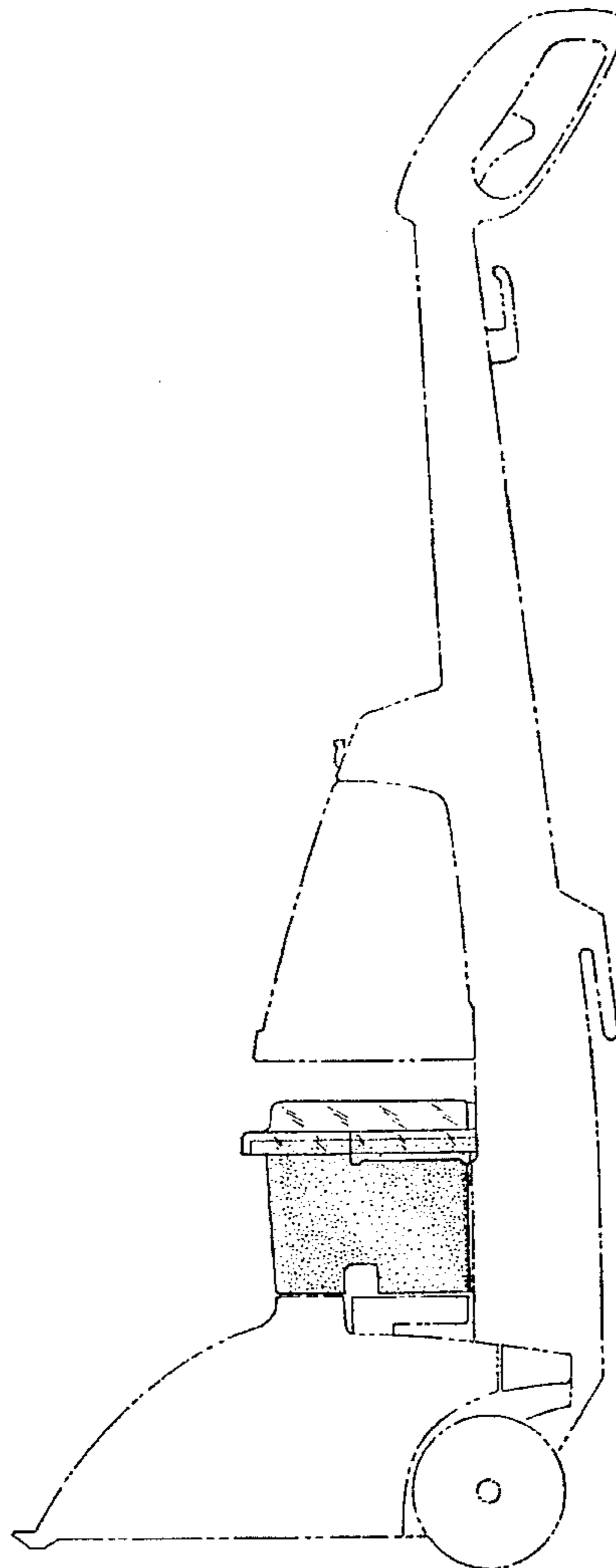


FIG.-1

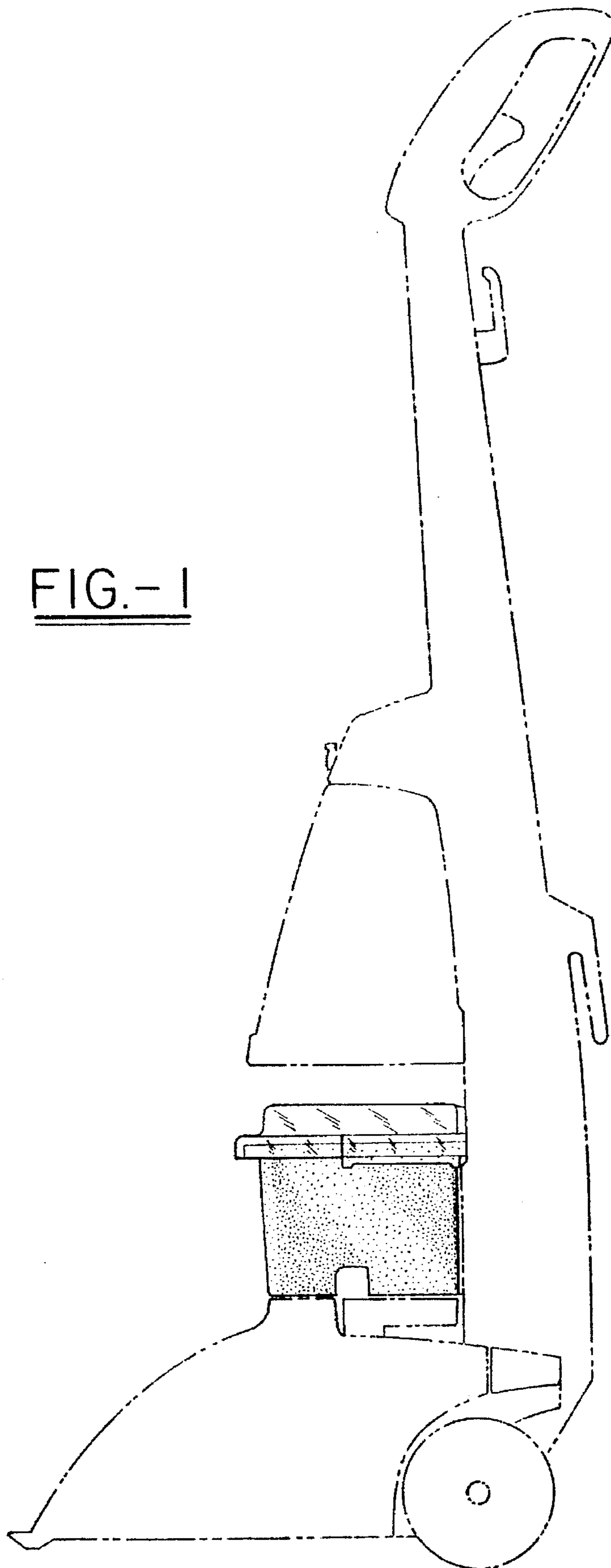


FIG.-3

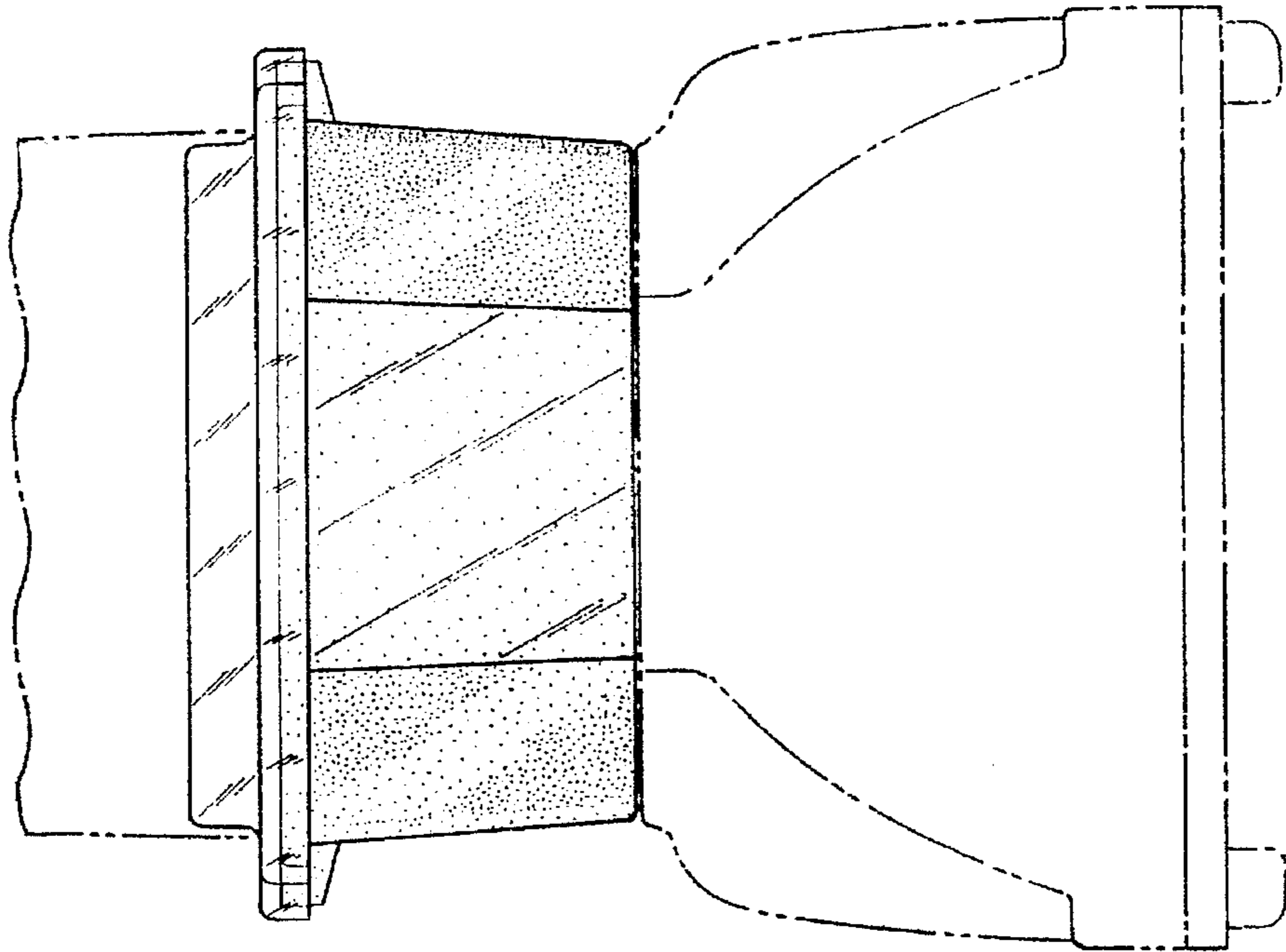


FIG.-2

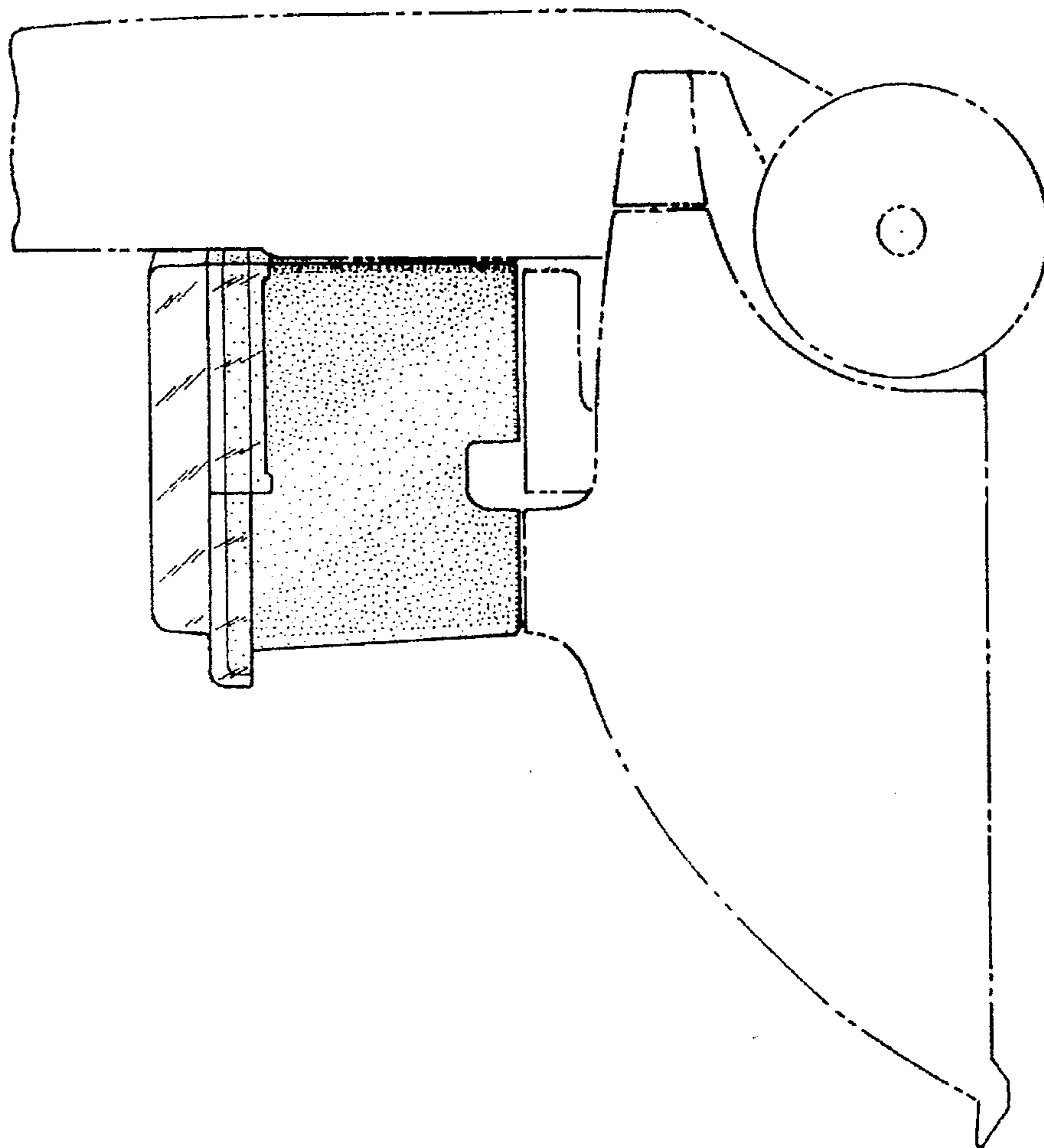


FIG. - 4

