



US00D379688S

# United States Patent [19]

Werner

[11] Patent Number: Des. 379,688

[45] Date of Patent: \*\*Jun. 3, 1997

[54] ANIMAL RESTRAINING DEVICE

[76] Inventor: Sandra S. Werner, 9032 S. Normandy La., Centerville, Ohio 45459

[\*\*] Term: 14 Years

[21] Appl. No.: 50,269

[22] Filed: Feb. 13, 1996

[51] LOC (6) Cl. .... 30-09

[52] U.S. Cl. .... D30/152; D30/151

[58] Field of Search ..... D30/151-154; 119/771, 174, 907, 784, 770, 785-786, 792; D12/412

[56] References Cited

U.S. PATENT DOCUMENTS

D. 250,488	12/1978	Wilmot	.....	D30/152 X
D. 343,032	1/1994	Carrero	.....	D30/151
D. 360,711	7/1995	O'Neill	.....	D30/151
D. 370,751	6/1996	Hodgson	.....	D30/153
2,909,154	10/1959	Thomas	.....	119/770
3,765,375	10/1973	Young	.....	119/770 X
4,252,084	2/1981	Willow	.....	119/771 X
4,676,198	6/1987	Murray	.....	119/771 X
4,827,876	5/1989	Krekelberg	.....	119/785 X
4,834,027	5/1989	Meyer	.....	119/771 X
4,899,694	2/1990	Belluomini	.....	119/771 X
4,958,597	9/1990	Mildner	.....	119/792 X
4,970,991	11/1990	Luce	.....	119/771 X
5,154,660	10/1992	Snyder et al.	.....	119/792 X
5,325,819	7/1994	Krauss	.....	119/792
5,443,037	8/1995	Saleme	.....	119/771
5,471,953	12/1995	Sporn	.....	119/792
5,492,084	2/1996	Brassington	.....	119/771

Primary Examiner—B. J. Bullock  
Assistant Examiner—Stacia Sinuik  
Attorney, Agent, or Firm—Wascher & Thomas, PLLC; Rick R. Wascher; Laura K. Thomas

[57] CLAIM

The ornamental design for an animal restraining device, as shown and described.

DESCRIPTION

FIG. 1 is a perspective of the animal restraint device of the present invention operably attached to an animal and vehicle, both of which are shown in phantom lines for illustrative purposes only forming no part of the claimed design;

FIG. 2 is an enlarged top view thereof;

FIG. 3 is further enlarged rear elevation view of the collar portion shown separately and broken away for ease of illustration;

FIG. 4 is a top view of the collar portion as shown in FIG. 3;

FIG. 5 is a front elevation view of the collar portion as shown in FIG. 3;

FIG. 6 is a rear elevation view of the collar portion as shown in FIG. 3 shown in the buckled position;

FIG. 7 is a top view of the collar portion as shown in FIG. 6;

FIG. 8 is a front elevation view of the collar portion as shown in FIG. 6;

FIG. 9 is a rear elevation view of one of the leash portions shown separately for ease of illustration, the other portion being identical thereto;

FIG. 10 is a top view of one of the leash portions as shown in FIG. 9;

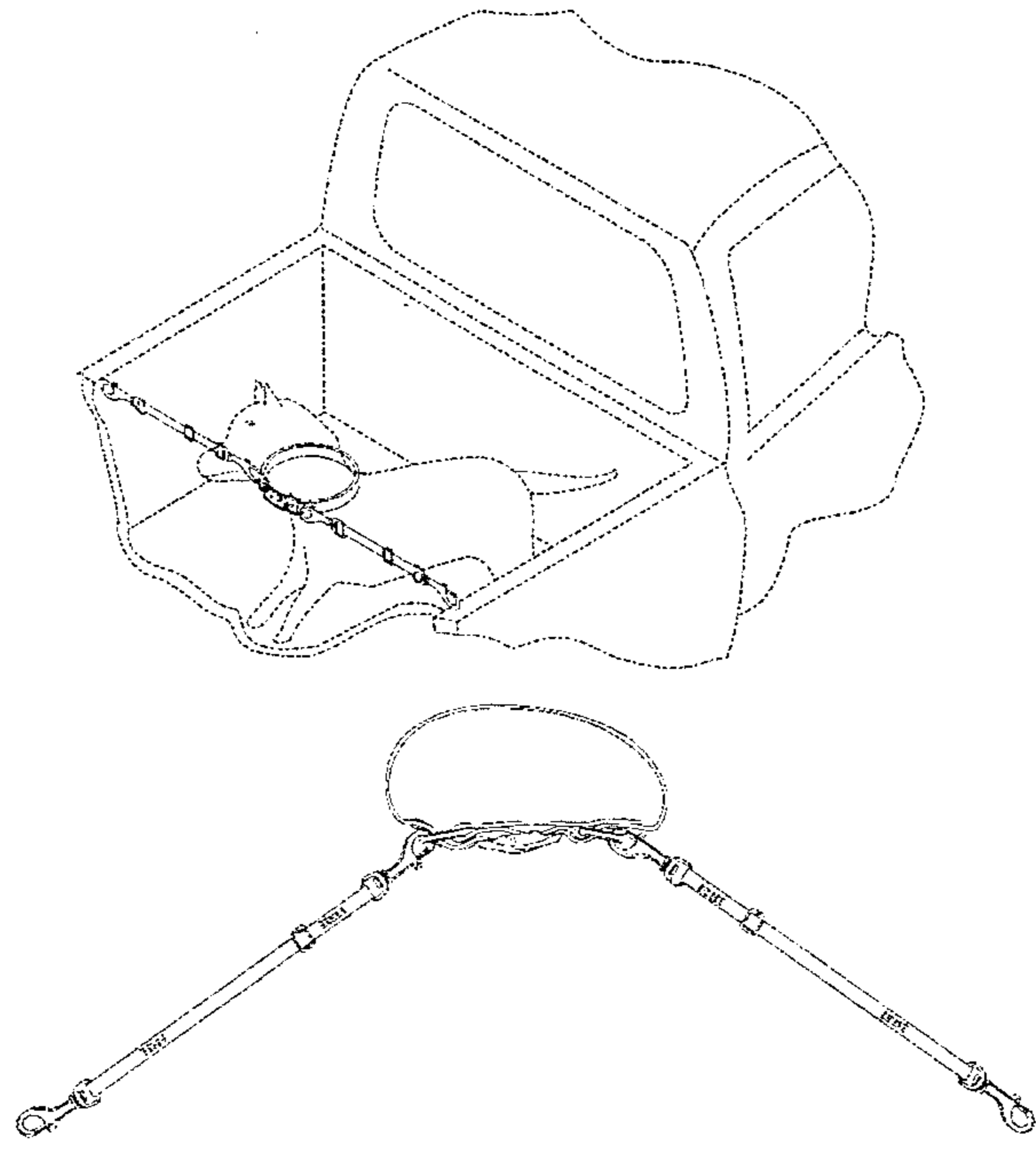
FIG. 11 is a front elevation view of one of the leash portions as shown in FIG. 9;

FIG. 12 is a side elevation of the animal restraining device shown in FIG. 1; and,

FIG. 13 is a rear elevation of the animal restraining device shown in FIG. 1.

While the views are shown on multiple scales, it is understood that they represent a single embodiment of the same design.

1 Claim, 4 Drawing Sheets



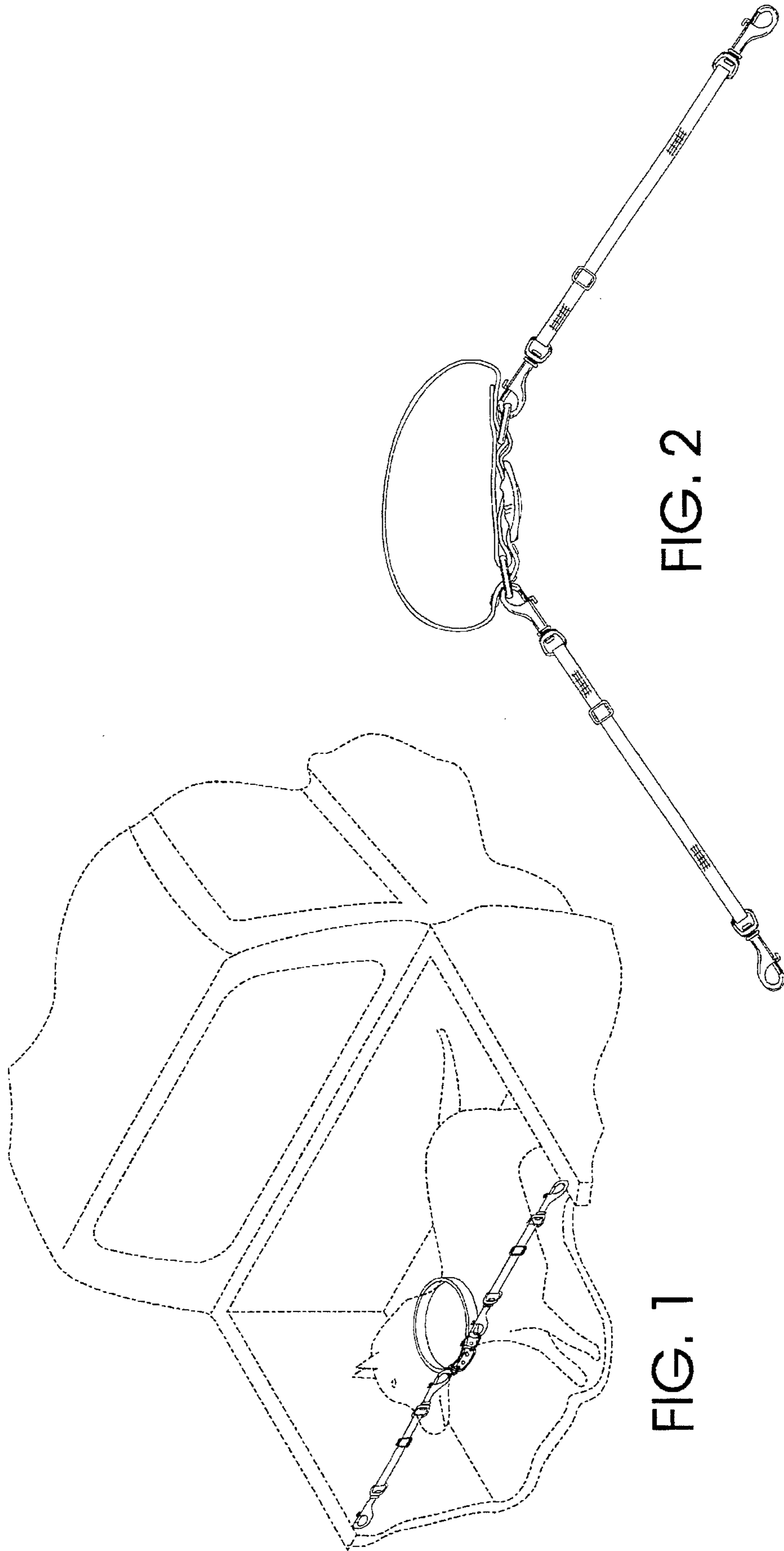


FIG. 2

FIG. 1

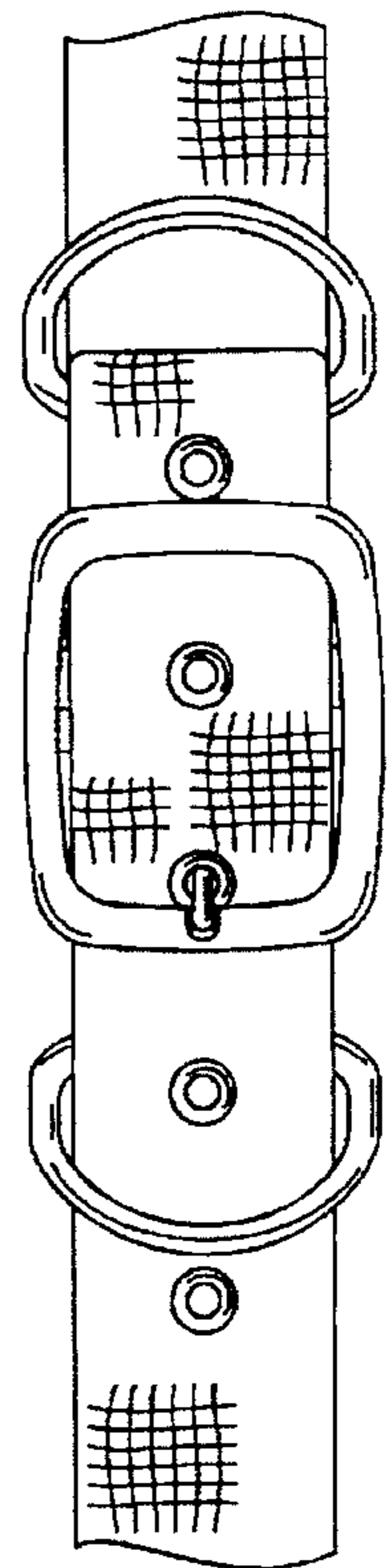
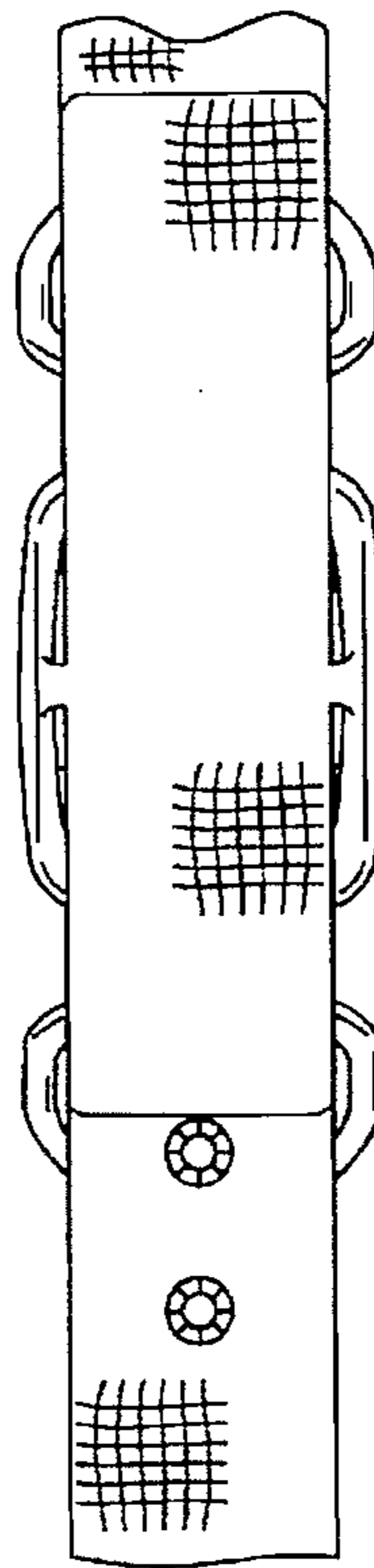
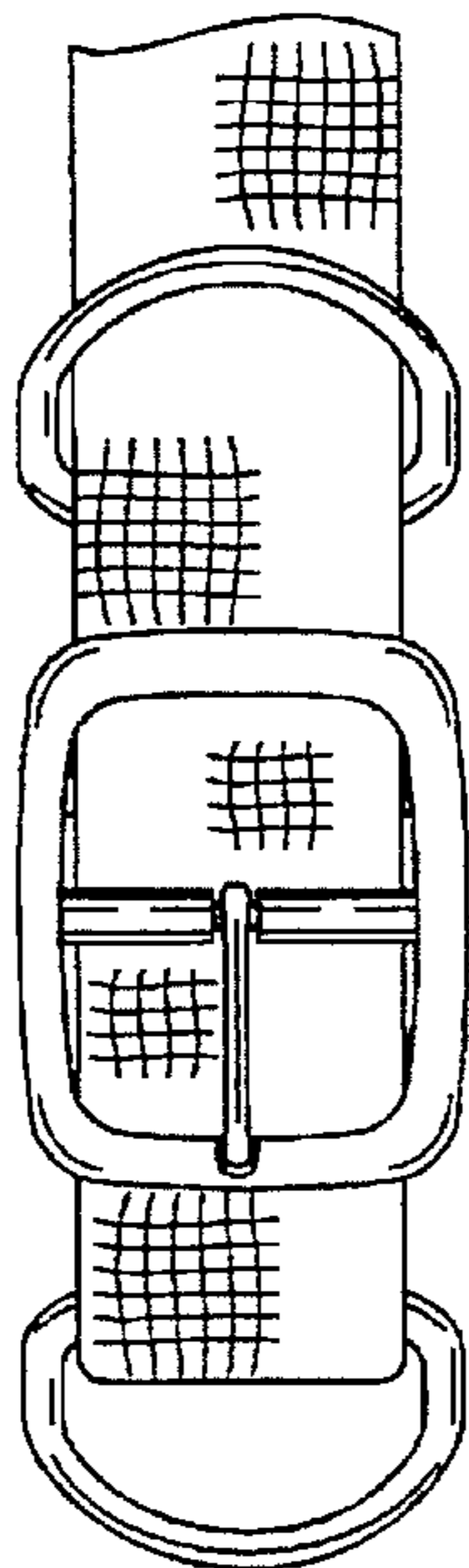
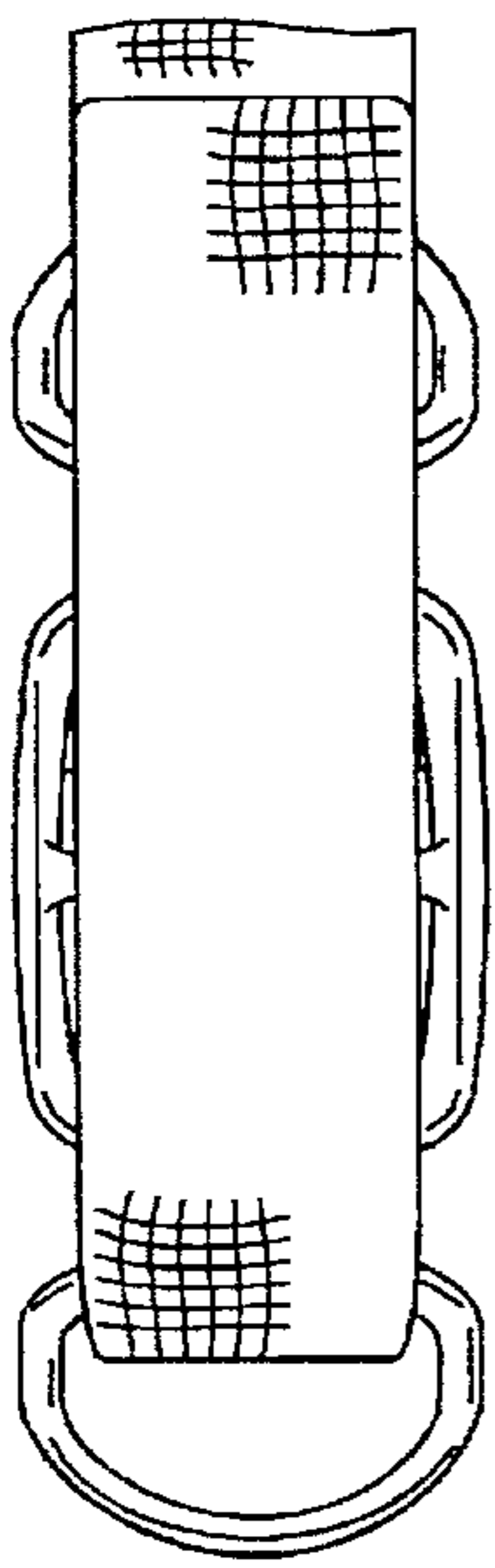
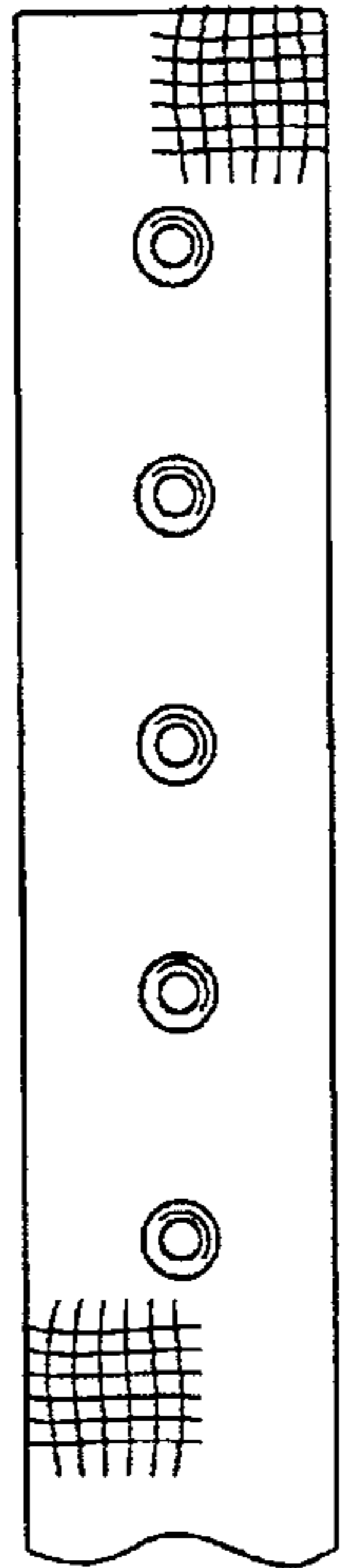
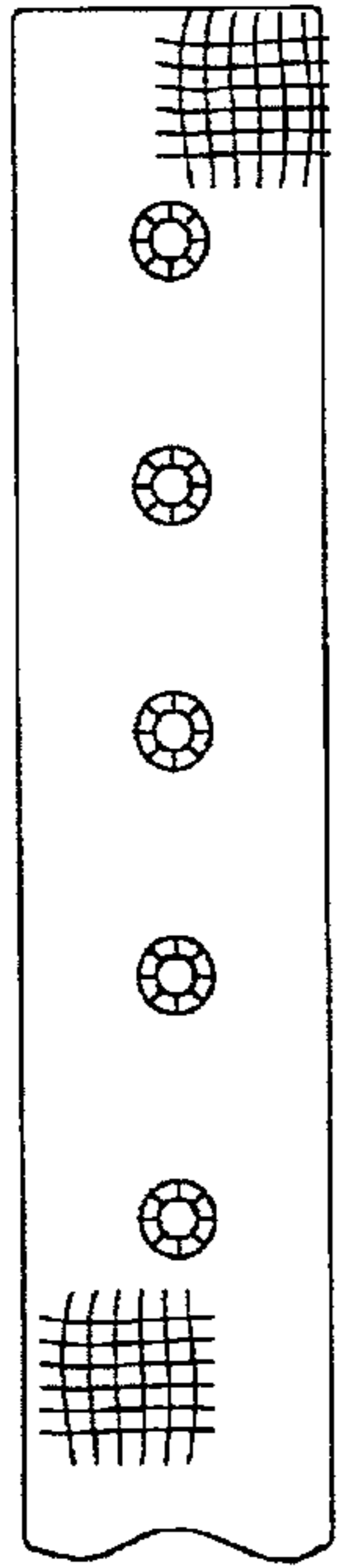


FIG. 3

FIG. 4

FIG. 5

FIG. 6

FIG. 7

FIG. 8

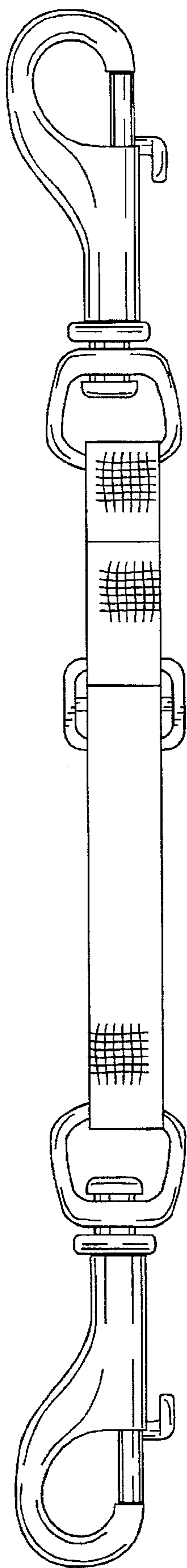


FIG. 9



FIG. 10

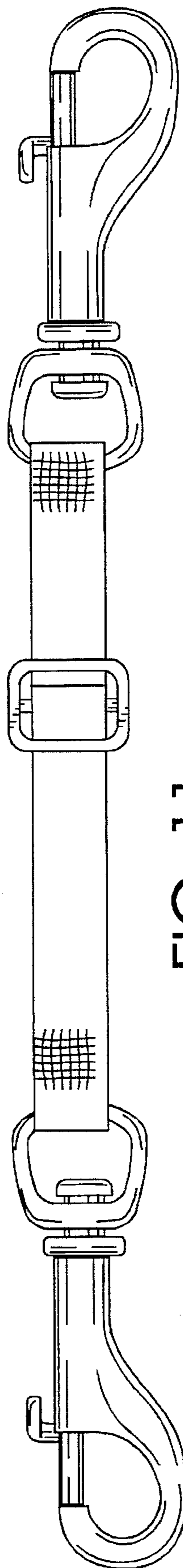


FIG. 17

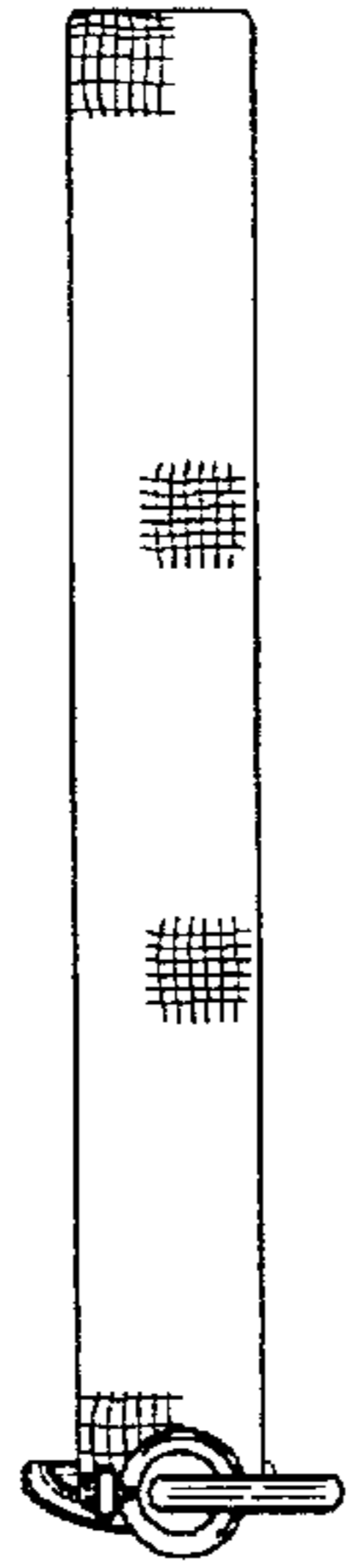


FIG. 12

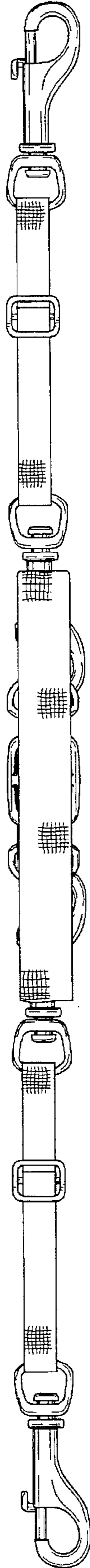


FIG. 13