



US00D379683S

# United States Patent [19]

Deitrich et al.

[11] Patent Number: **Des. 379,683**

[45] Date of Patent: **\*\*Jun. 3, 1997**

[54] **WIRE BAR LID FOR AN ANIMAL CAGE**

[75] Inventors: **Eric A. Deitrich, Woodbine; John E. Sheaffer, Perryville, both of Md.**

[73] Assignee: **Lab Products, Inc., Maywood, N.J.**

[\*\*] Term: **14 Years**

[21] Appl. No.: **45,212**

[22] Filed: **Oct. 12, 1995**

[51] LOC (6) Cl. .... **30-02**

[52] U.S. Cl. .... **D30/119**

[58] Field of Search ..... D30/119, 118,  
D30/114-116, 120; 119/452, 453, 416,  
475

[56] **References Cited**

**U.S. PATENT DOCUMENTS**

D. 351,259	10/1994	Semenuk et al. ....	D30/119
3,256,859	6/1966	Petit .....	119/475
3,358,649	12/1967	Gabriel et al. ....	119/475
3,381,665	5/1968	Naturale .....	119/475
3,572,293	3/1971	Schroen .....	119/475

3,699,925	10/1972	Van Dongen .....	119/475
3,951,105	4/1976	Mehn .....	119/475
4,480,587	11/1984	Sedlacek .....	119/452 X
4,940,017	7/1990	Niki et al. ....	119/452
5,165,362	11/1992	Sheaffer et al. ....	119/452

*Primary Examiner*—B. J. Bullock  
*Assistant Examiner*—Stacia Sinuik  
*Attorney, Agent, or Firm*—Stroock & Stroock & Lavan

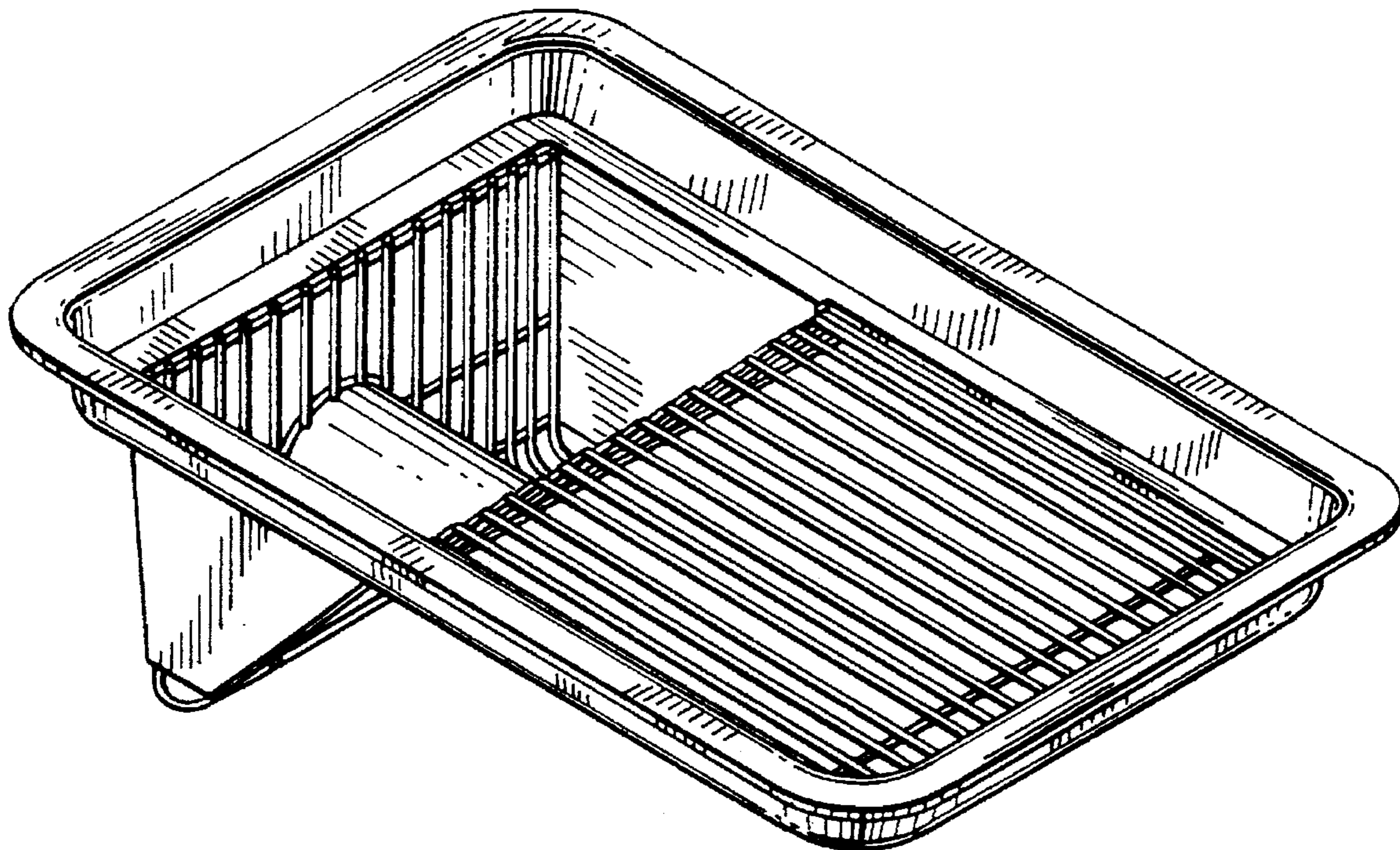
[57] **CLAIM**

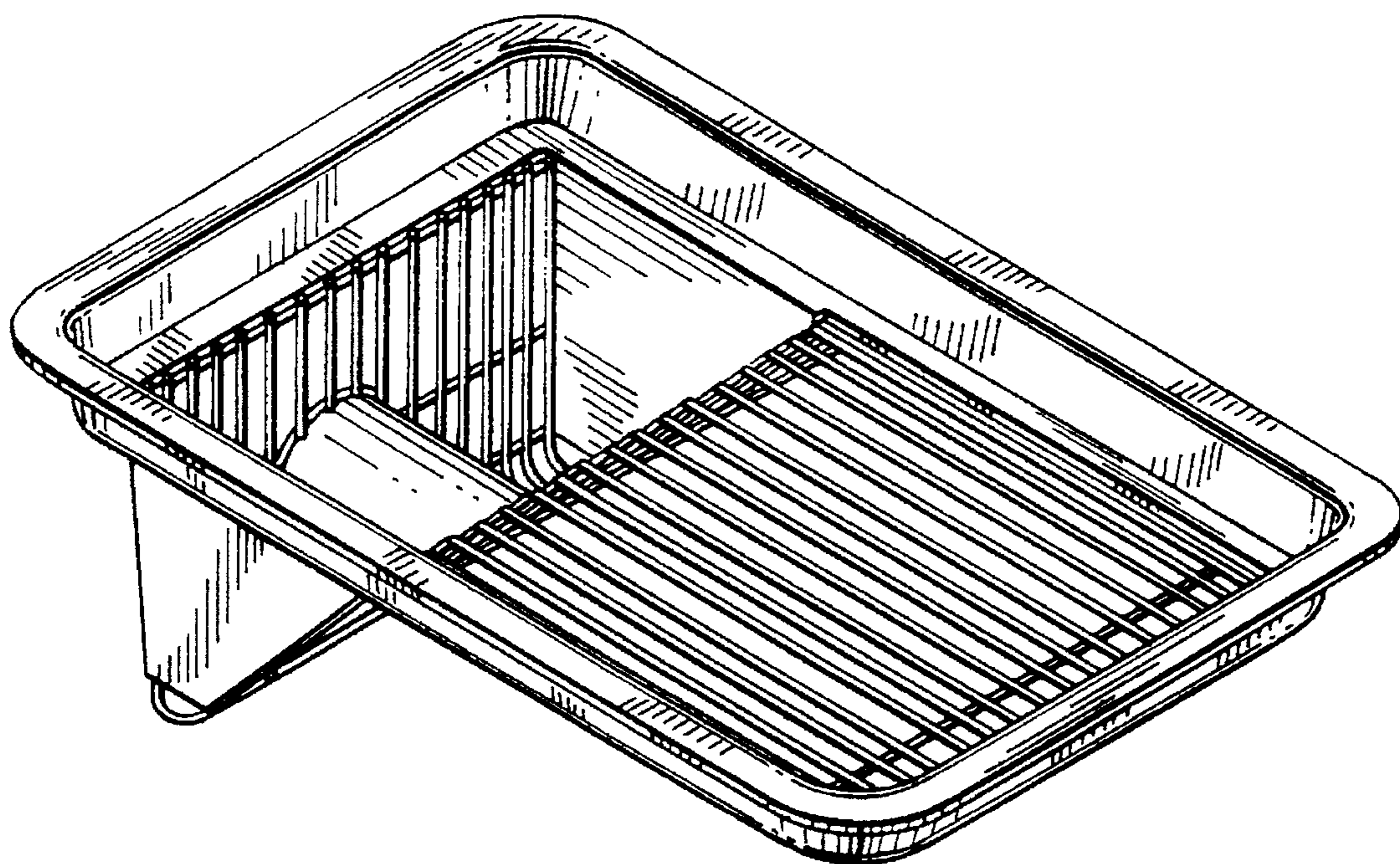
The ornamental design for a wire bar lid for an animal cage, as shown and described.

**DESCRIPTION**

FIG. 1 is a perspective view of a wire bar lid for animal cage showing my design;  
FIG. 2 is an enlarged front elevational view thereof;  
FIG. 3 is a top plan view thereof;  
FIG. 4 is a right side elevational view thereof, the opposite side being a mirror image thereof;  
FIG. 5 is a rear elevational view thereof; and,  
FIG. 6 is a bottom plan view thereof.

**1 Claim, 4 Drawing Sheets**





*FIG. 1*

*FIG. 2*

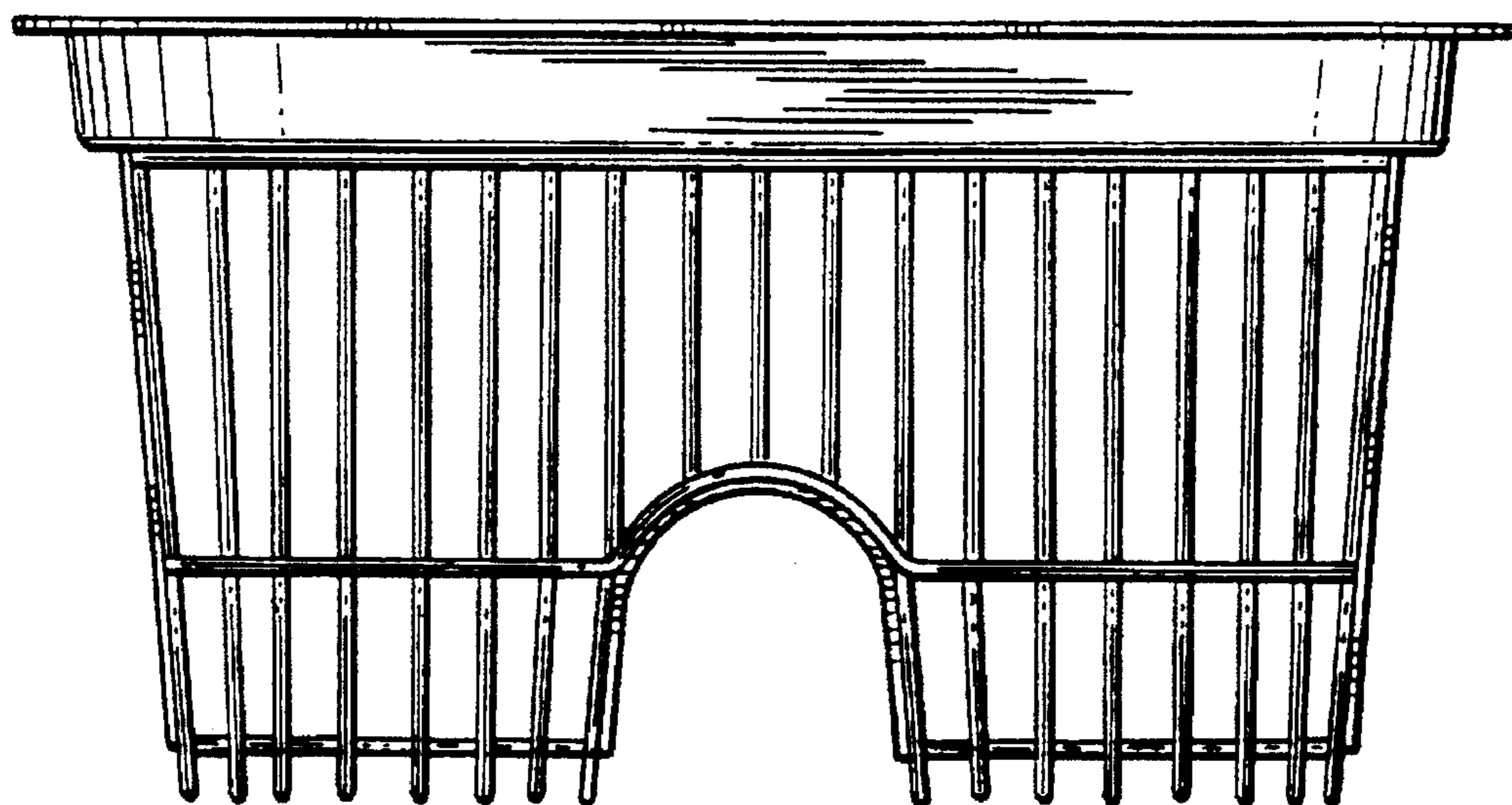
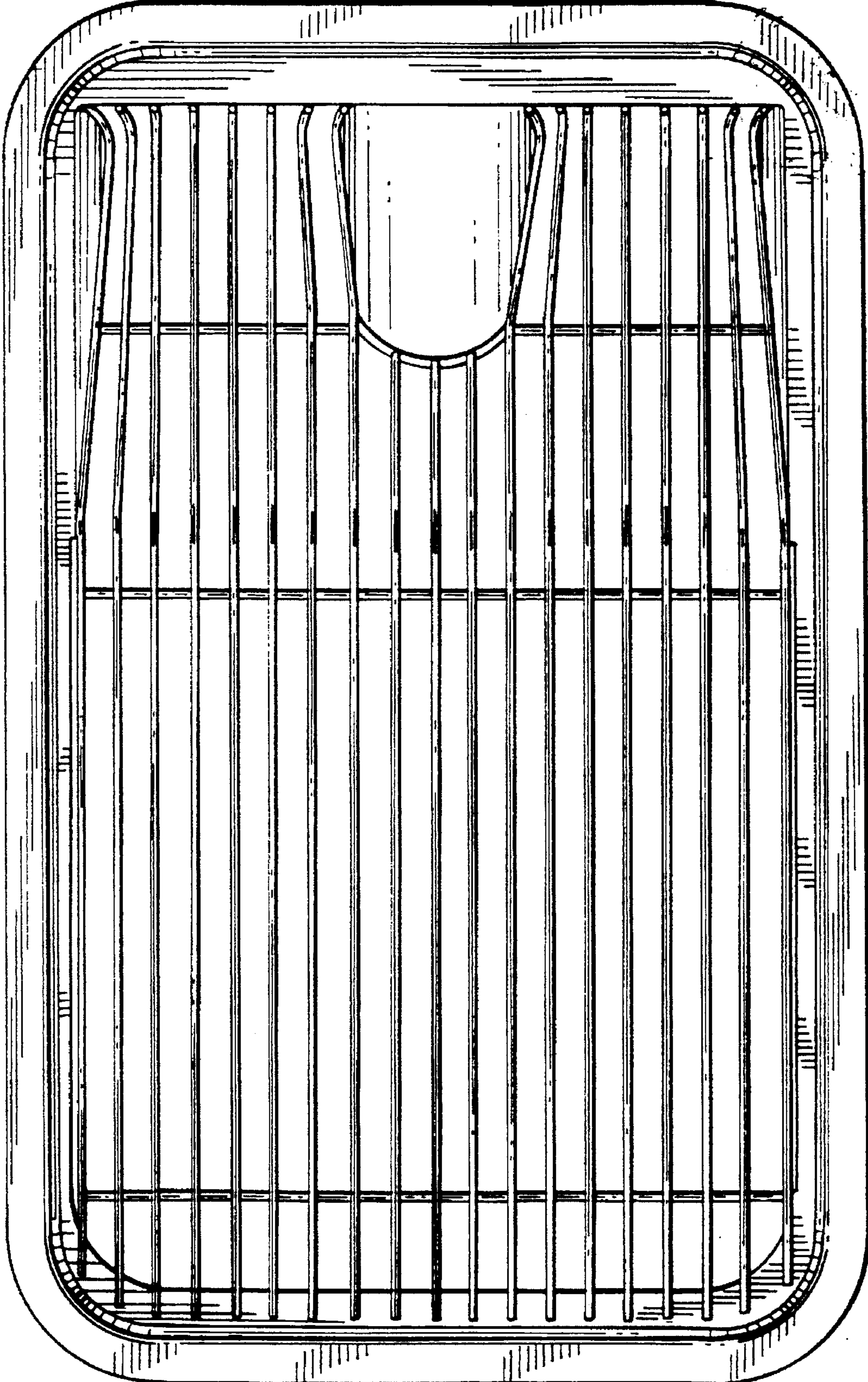




FIG. 3



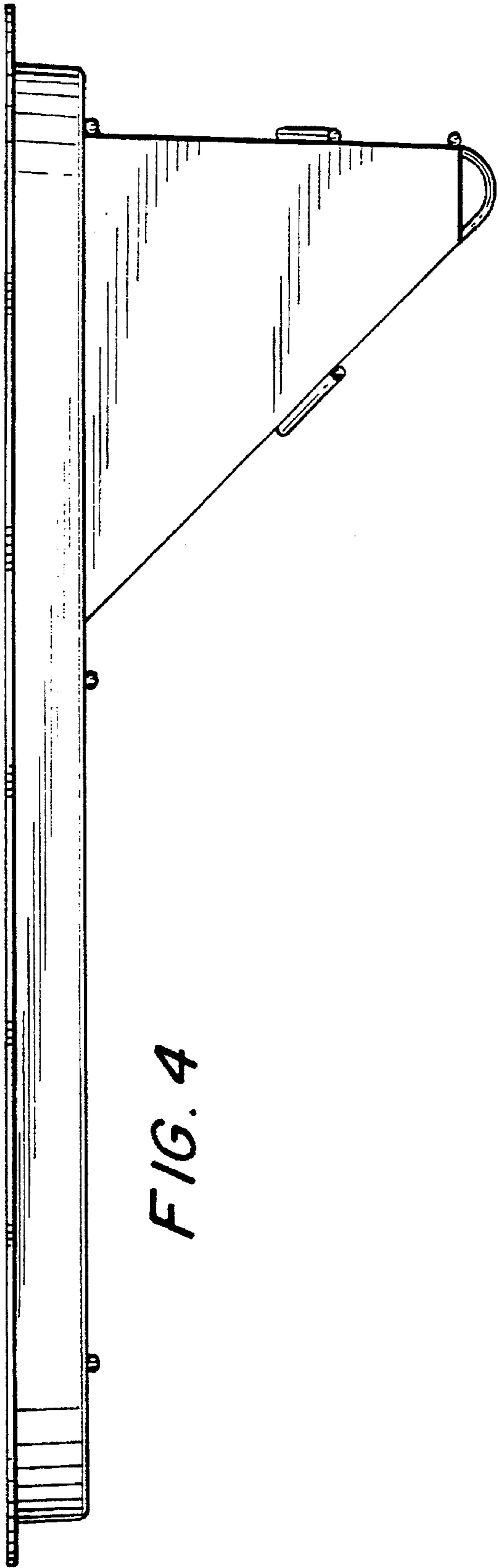


FIG. 4

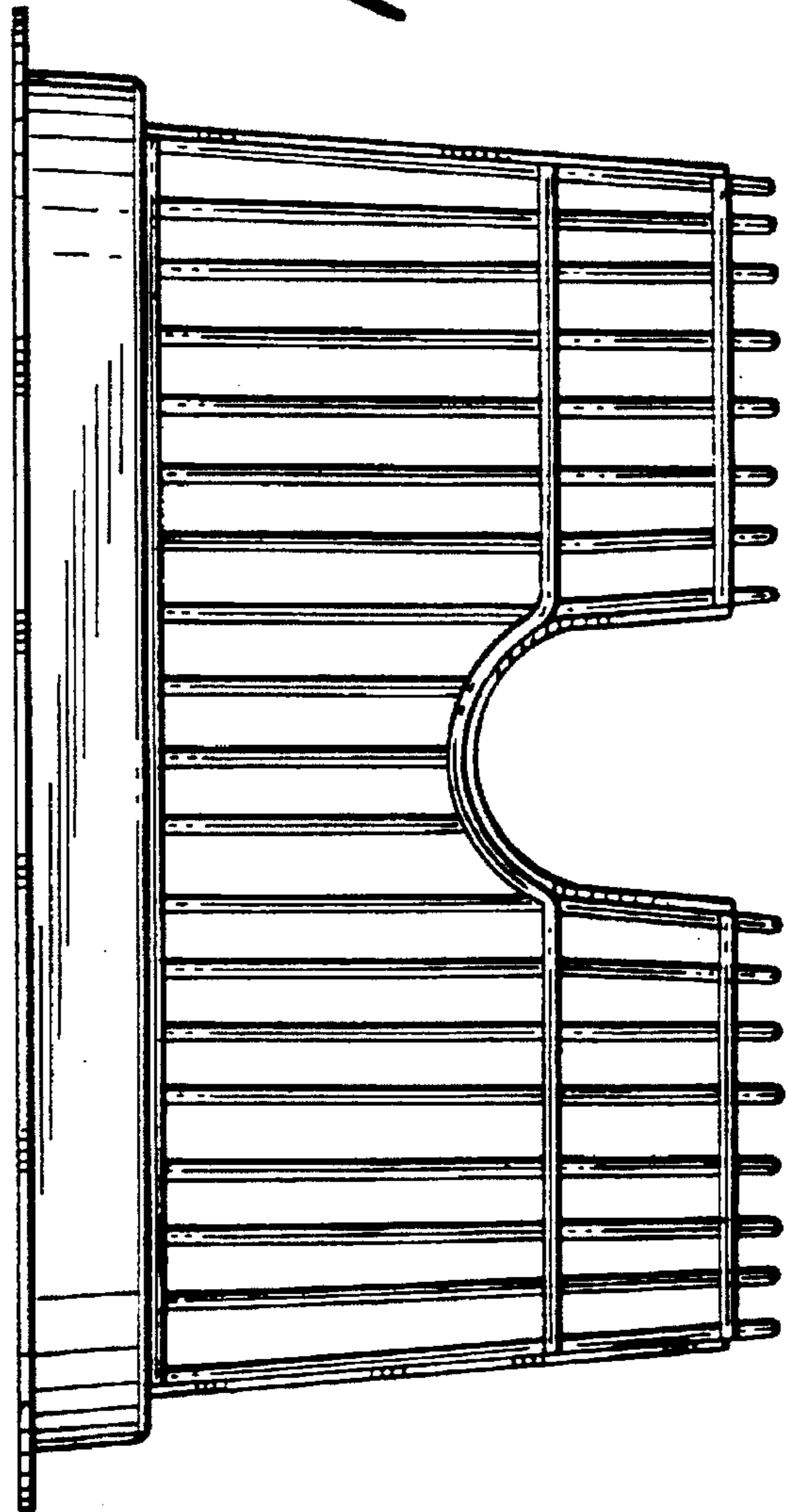


FIG. 5

FIG. 6

