



US00D379682S

United States Patent [19] Rafaat

[11] Patent Number: Des. 379,682

[45] Date of Patent: **Jun. 3, 1997

[54] PET BED

[76] Inventor: **Hormoz Rafaat**, 1903 El Camino del Teatro, La Jolla, Calif. 92037

[**] Term: 14 Years

[21] Appl. No.: 12,856

[22] Filed: Sep. 13, 1993

[51] LOC (6) Cl. 30-06

[52] U.S. Cl. D30/118; D6/349; D21/235

[58] Field of Search 5/110, 111-112, 5/114; D21/235; 482/27; 383/4; D30/118, 158, 160; 119/28.5, 27-28, 165-170, 61; D6/382, 390, 391, 601, 604, 392, 349, 368, 334; D8/382

[56] References Cited

U.S. PATENT DOCUMENTS

D. 127,808	6/1941	McGillicuddy	119/28.5
219,080	9/1879	Edwards	383/4
D. 274,679	7/1984	Stehlik	D6/392
D. 338,744	8/1993	Marlon et al.	D30/118
1,820,284	8/1931	Mills	119/28.5
2,646,577	7/1953	Thayer	5/114
2,839,320	6/1958	Hill	D8/382

2,871,489	2/1959	Emmert	5/114
4,688,281	8/1987	Lantz	5/111
4,941,222	7/1990	Prager	D6/601

FOREIGN PATENT DOCUMENTS

670730	9/1963	Canada	5/114
250286	6/1948	Switzerland	119/28.5
803980	11/1958	United Kingdom	119/28.5
1342394	1/1974	United Kingdom	119/28.5

OTHER PUBLICATIONS

Spencer's Catalog; Pet Hammock #52835 p. 44.
House Beautiful; Oct. 1964; p. 155; Sling Pet Bed.

Primary Examiner—Cathy Anne MacCormac

[57] CLAIM

The ornamental design for a pet bed, as shown.

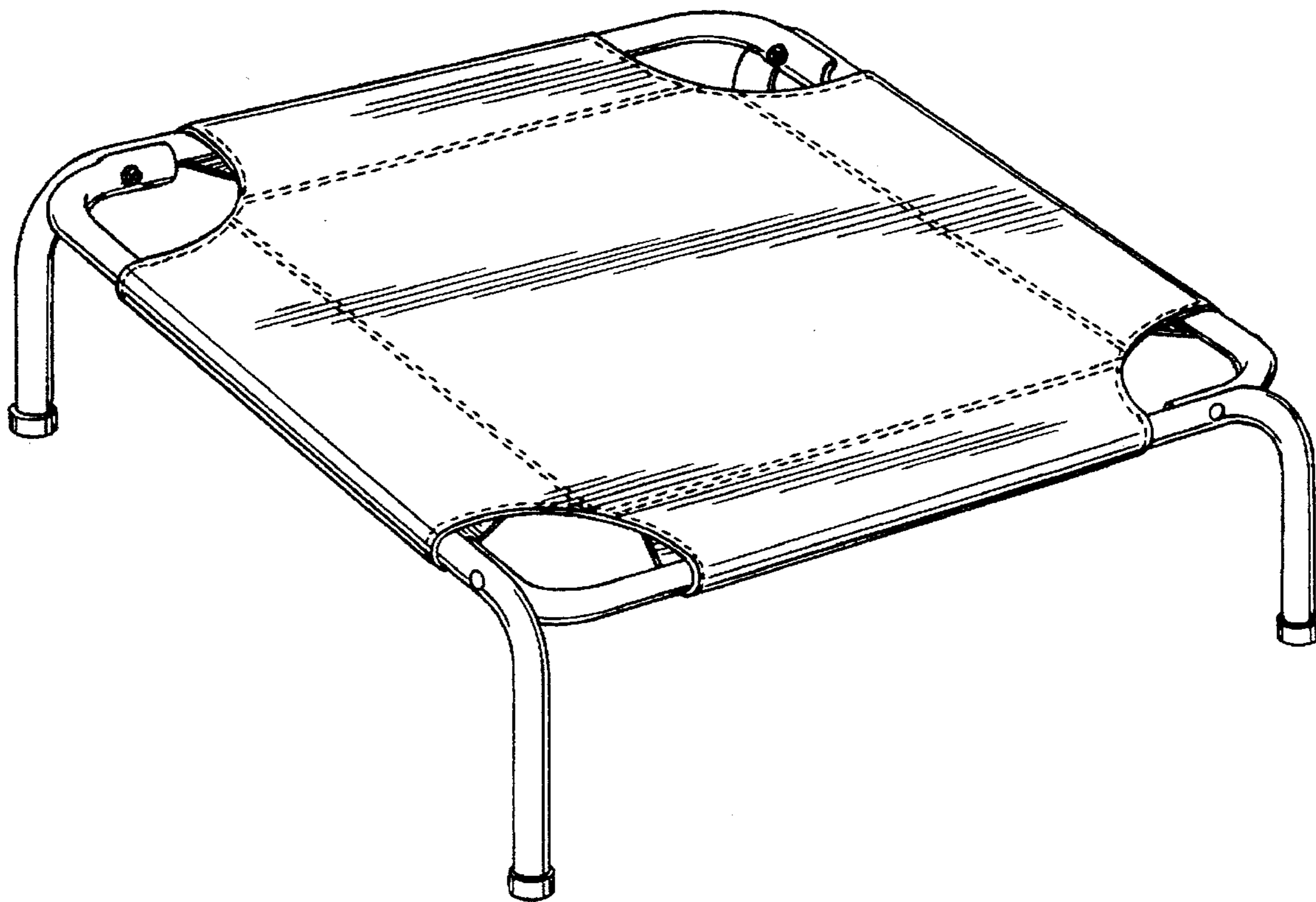
DESCRIPTION

FIG. 1 is a perspective view of a pet bed showing my new design;

FIG. 2 is a side elevational view thereof, all four sides being similar; and,

FIG. 3 is a bottom plan view thereof.

1 Claim, 2 Drawing Sheets



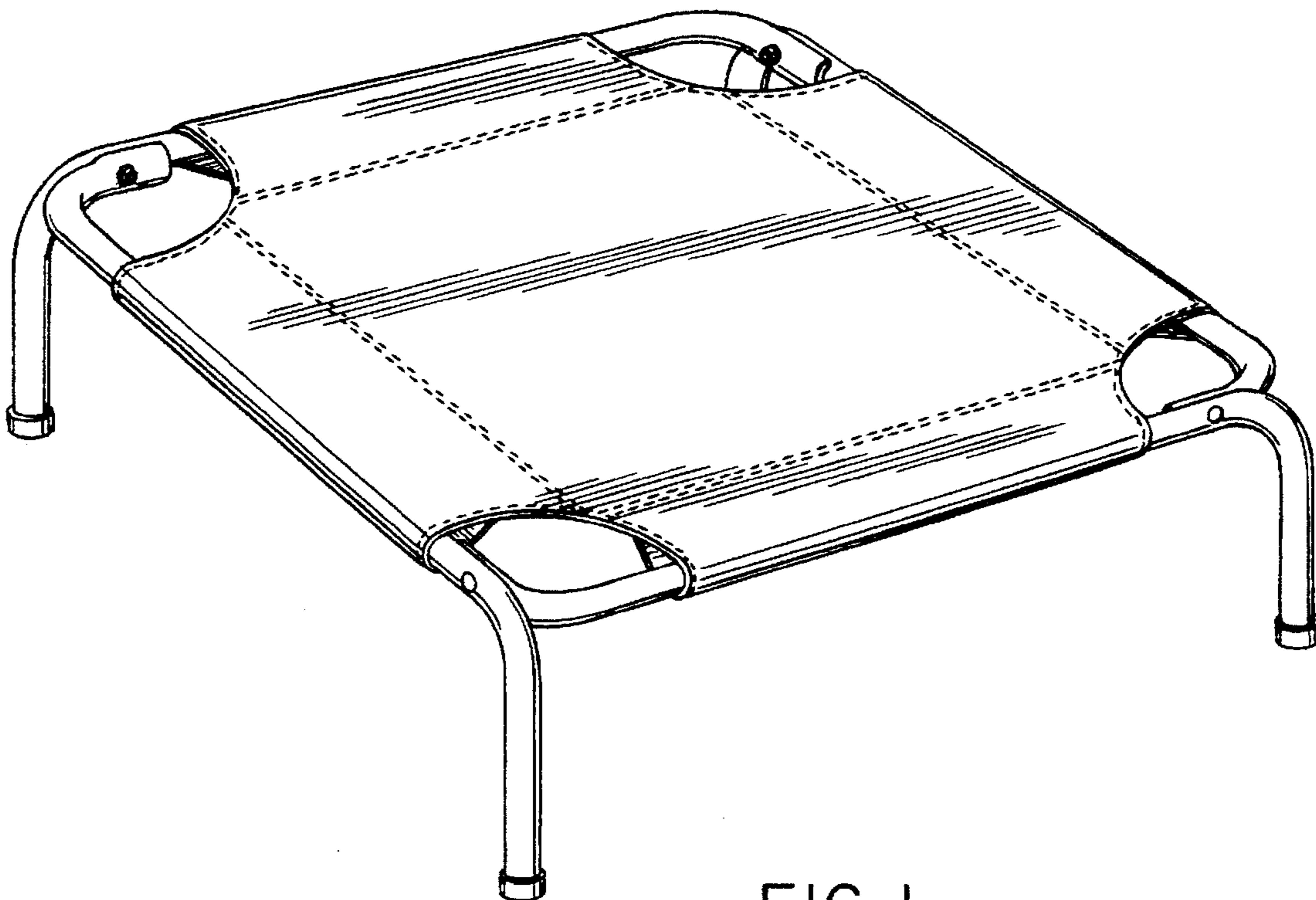


FIG. 1

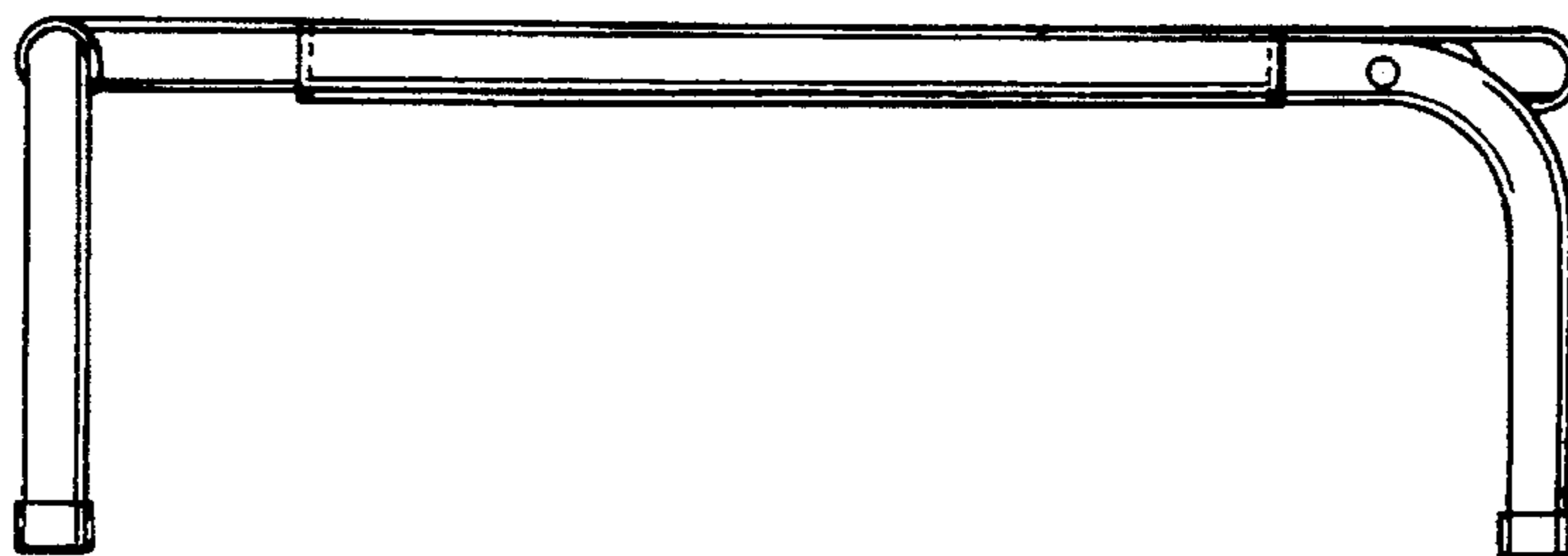


FIG. 2

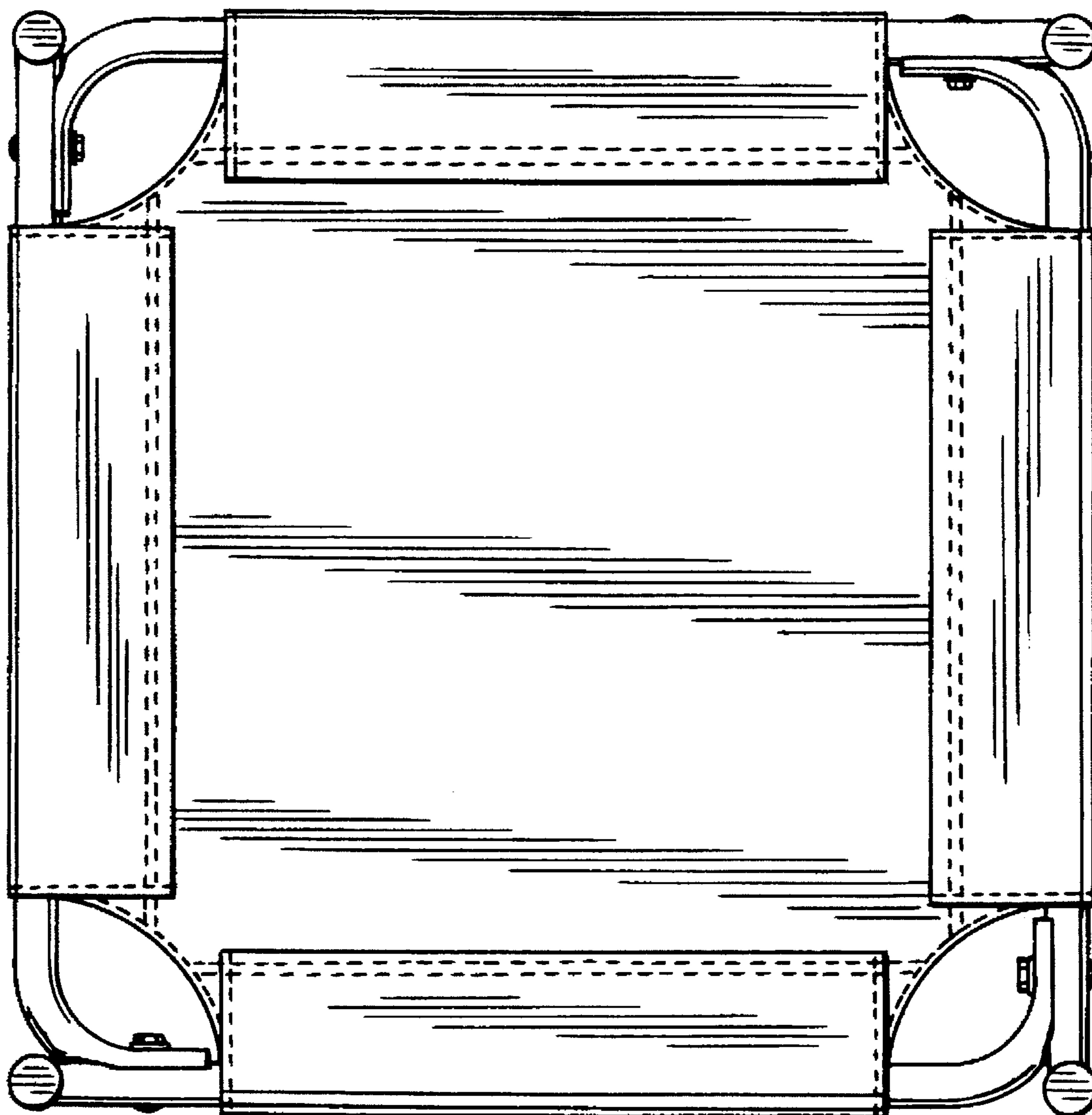


FIG. 3