



US00D379678S

United States Patent [19]

Rosado

[11] Patent Number: **Des. 379,678**

[45] Date of Patent: ****Jun. 3, 1997**

[54] **WEIGHT LIFTING BARBELL GLOVE WITH WRIST SUPPORT**

[76] Inventor: **Victor Rosado**, P.O. Box 929, Milford, Pa. 18337

[**] Term: **14 Years**

[21] Appl. No.: **23,205**

[22] Filed: **May 19, 1994**

[51] LOC (6) Cl. **29-02**

[52] U.S. Cl. **D29/120**

[58] Field of Search D29/100, 113, D29/120-122; D24/189, 190, 192; 2/16, 20, 22-24, 62

[56] **References Cited**

U.S. PATENT DOCUMENTS

D. 131,437	2/1942	Love	D29/120
D. 209,896	1/1968	Anderson et al.	D29/120
D. 234,434	3/1975	Trevino	D24/190
D. 239,143	3/1976	Arluck et al.	D24/190
D. 246,077	10/1977	Gwon	D29/113
D. 327,753	7/1992	Banks	D29/120
D. 334,085	3/1993	Niemann	D29/113

D. 339,224	9/1993	Burke	D29/113
3,117,786	1/1964	Anderson	D29/113
4,942,624	7/1990	Cho	2/24

Primary Examiner—Ruth McInroy
Attorney, Agent, or Firm—Daryl Josephson; Kevin Sembrat; John Gugliotta

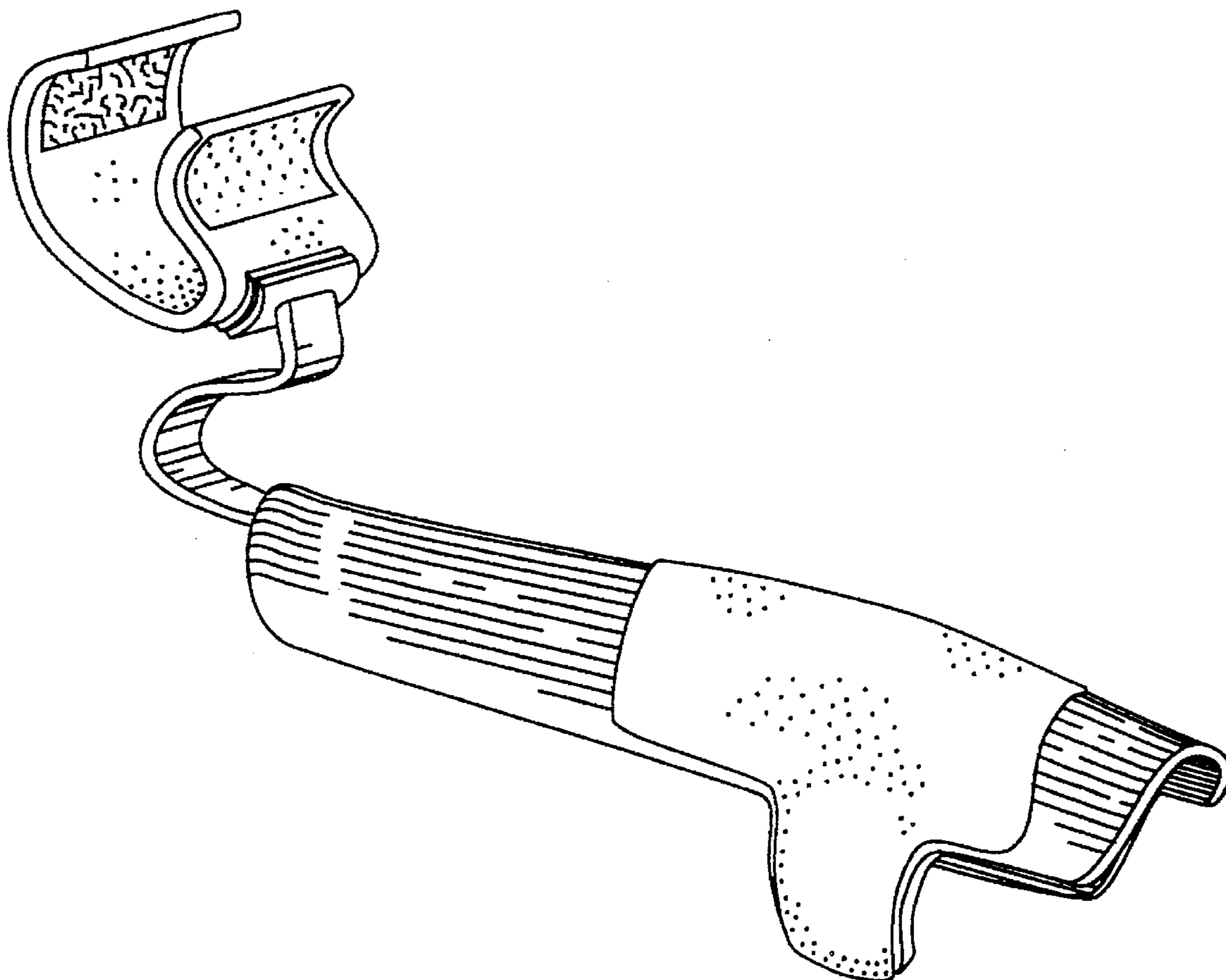
[57] **CLAIM**

The ornamental design for a weight lifting barbell glove with wrist support, as shown and described.

DESCRIPTION

FIG. 1 is a top, front and right side perspective view of a weight lifting barbell glove with wrist support showing my new design;
FIG. 2 is an exploded perspective view thereof;
FIG. 3 is a rear perspective view thereof;
FIG. 4 is a top plan view thereof;
FIG. 5 is a bottom plan view thereof;
FIG. 6 is a front elevation view thereof;
FIG. 7 is a rear elevation view thereof;
FIG. 8 is a left side elevation view thereof; and,
FIG. 9 is a right side elevation view thereof.

1 Claim, 3 Drawing Sheets



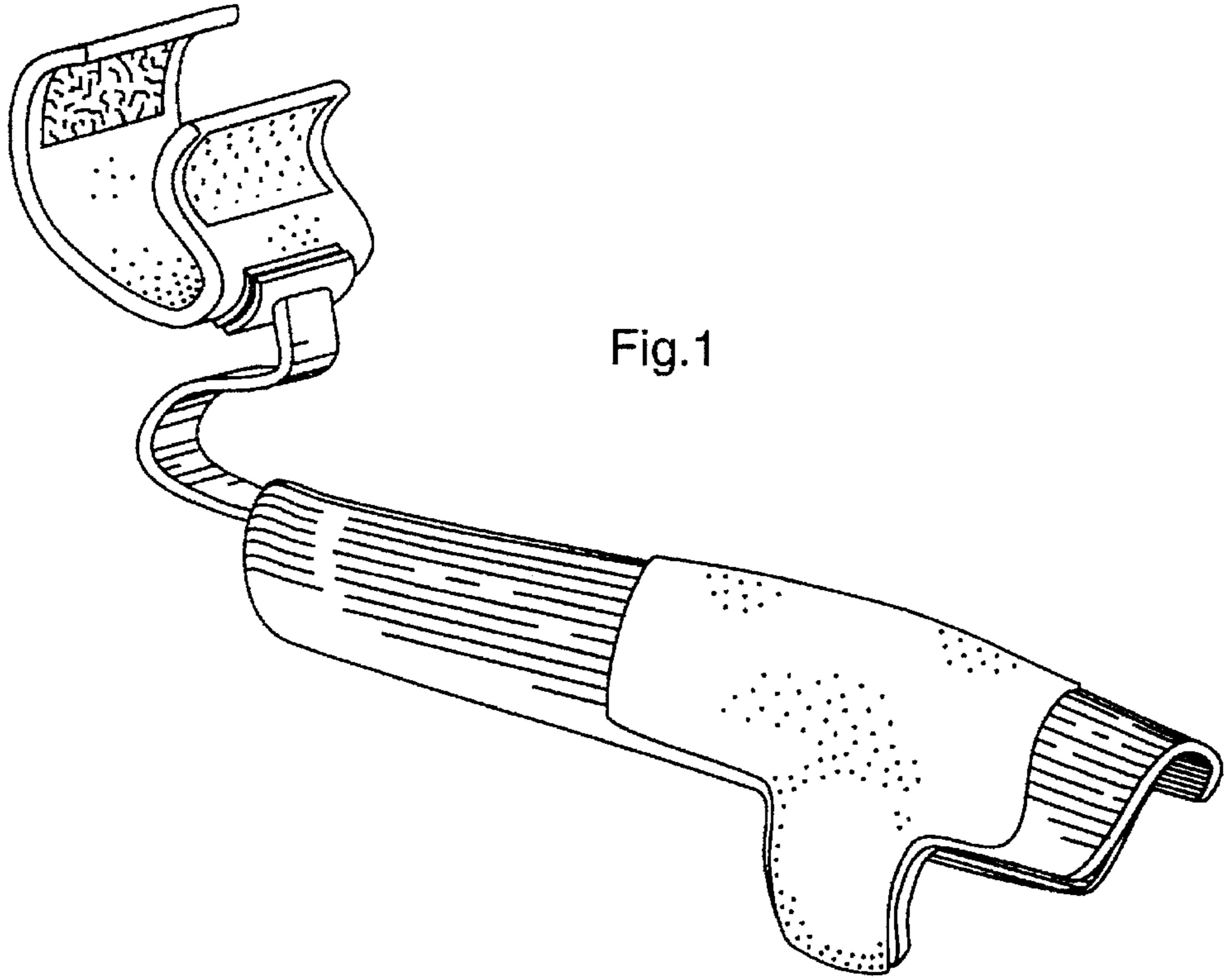


Fig. 1

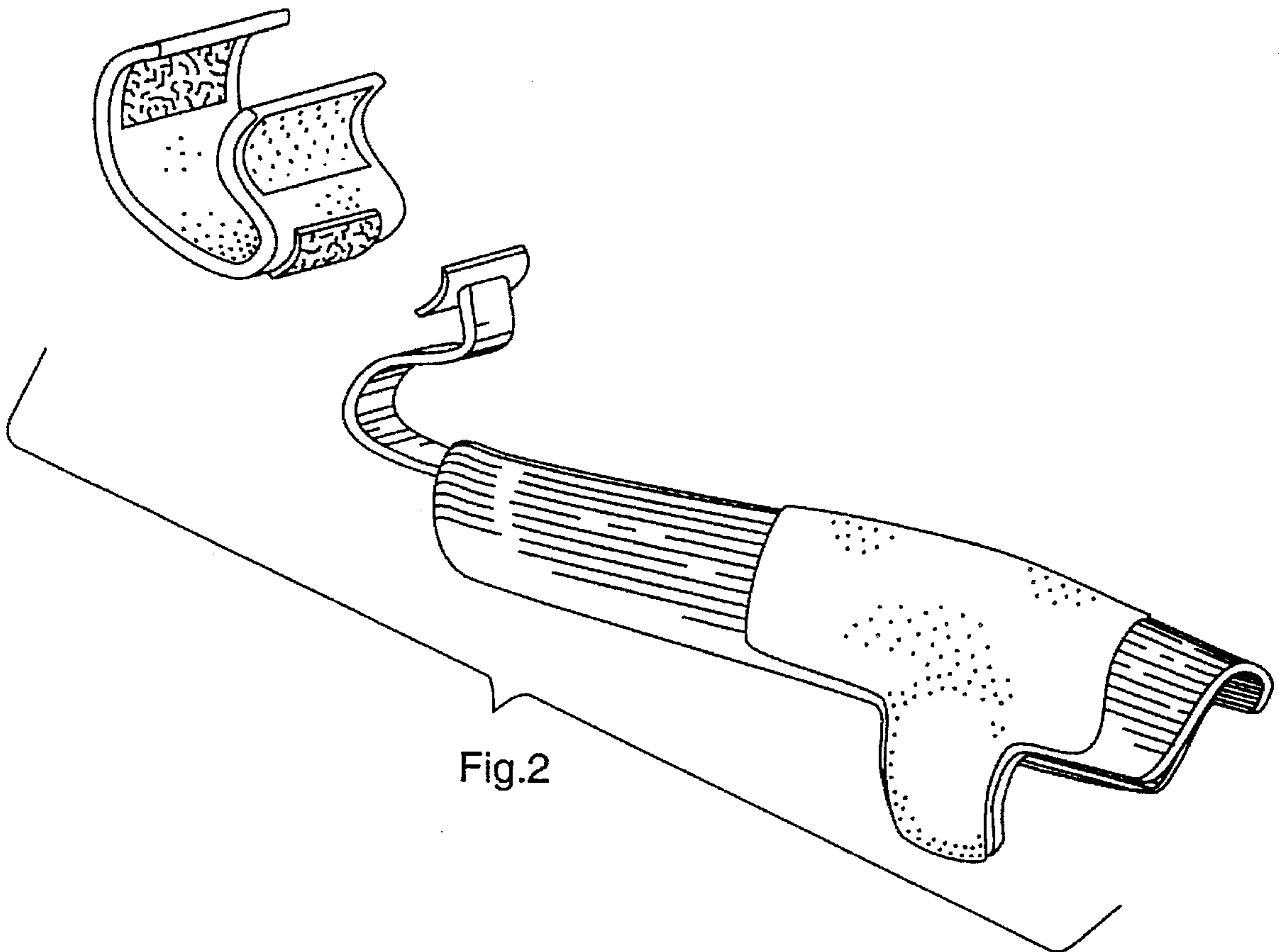


Fig. 2

Fig.3

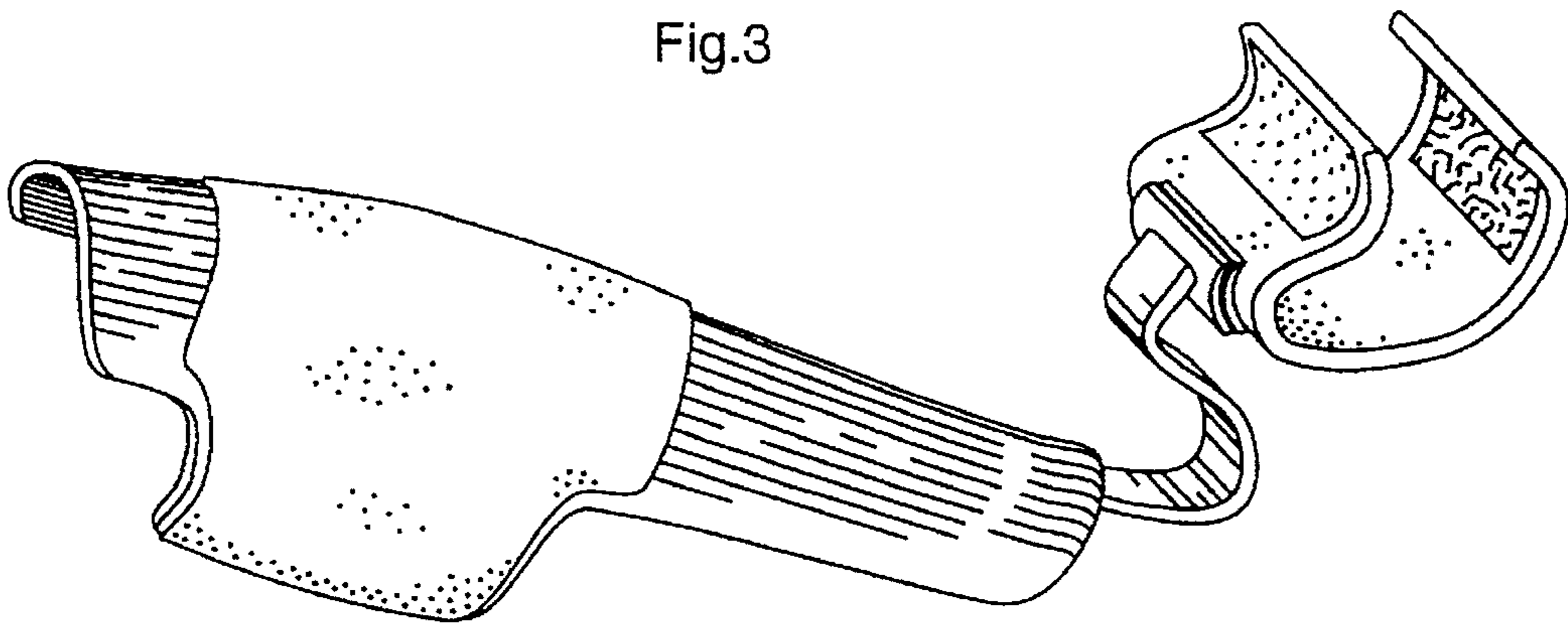


Fig.4

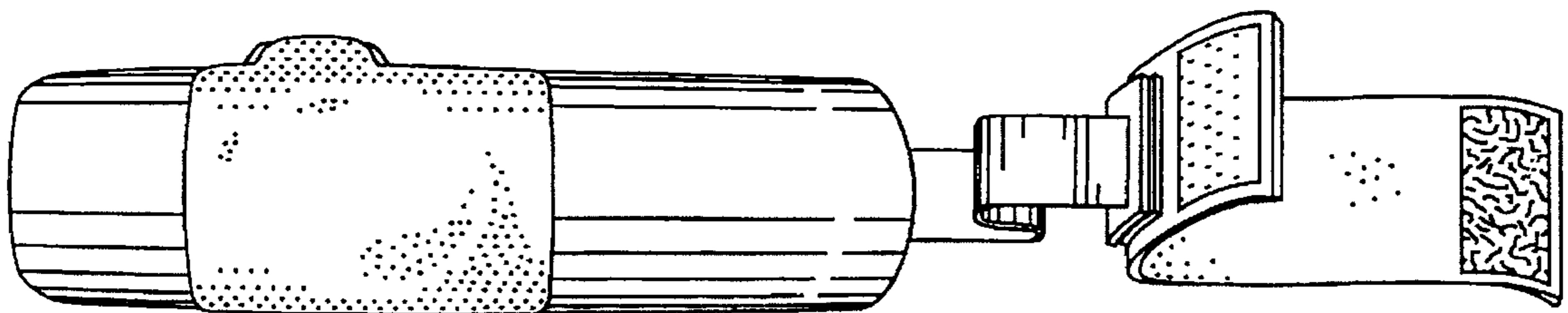


Fig.5

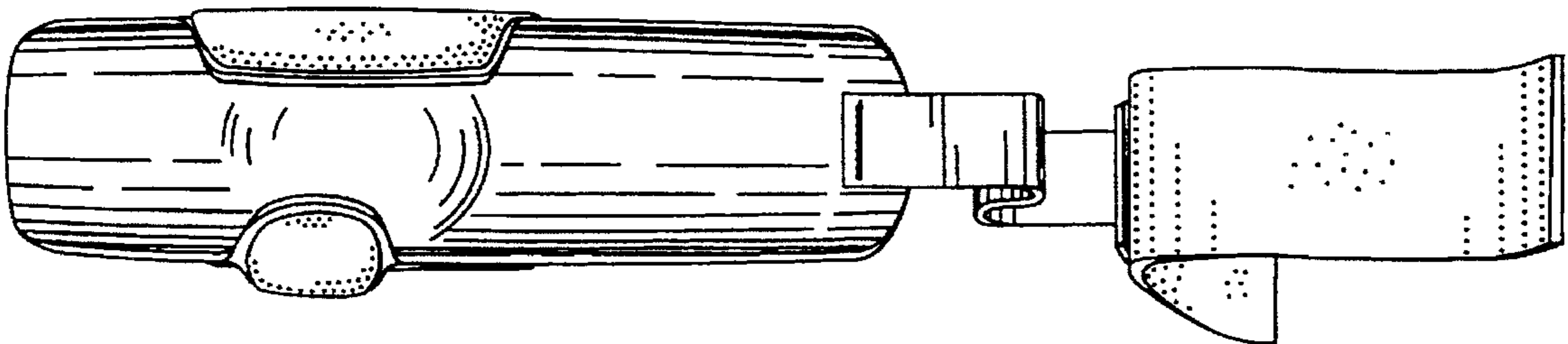


Fig.6

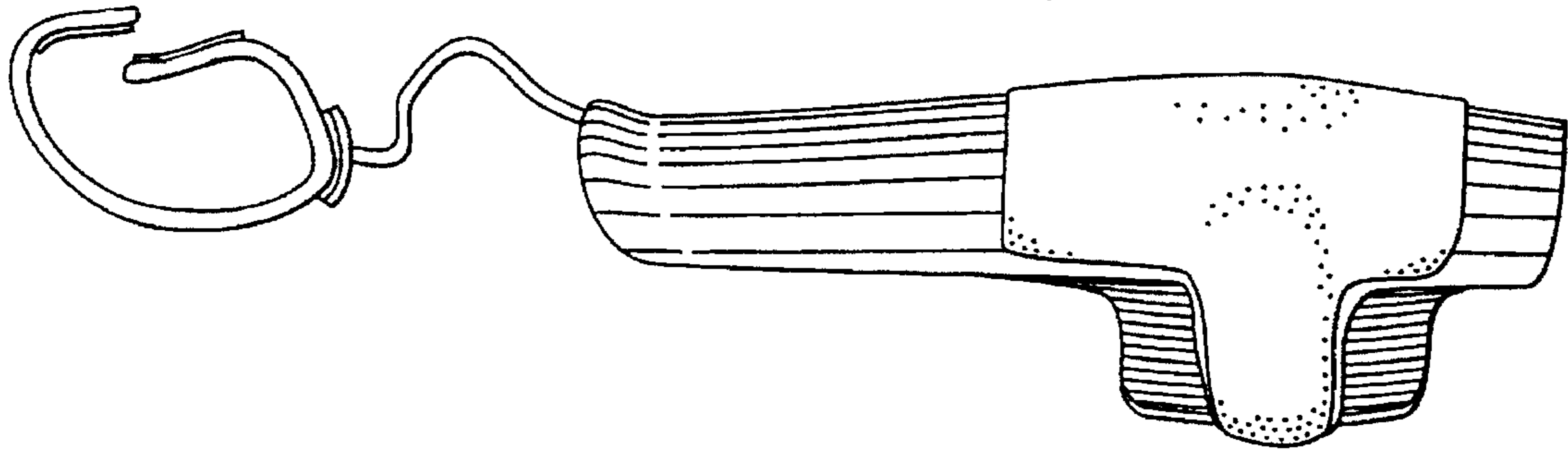


Fig.7

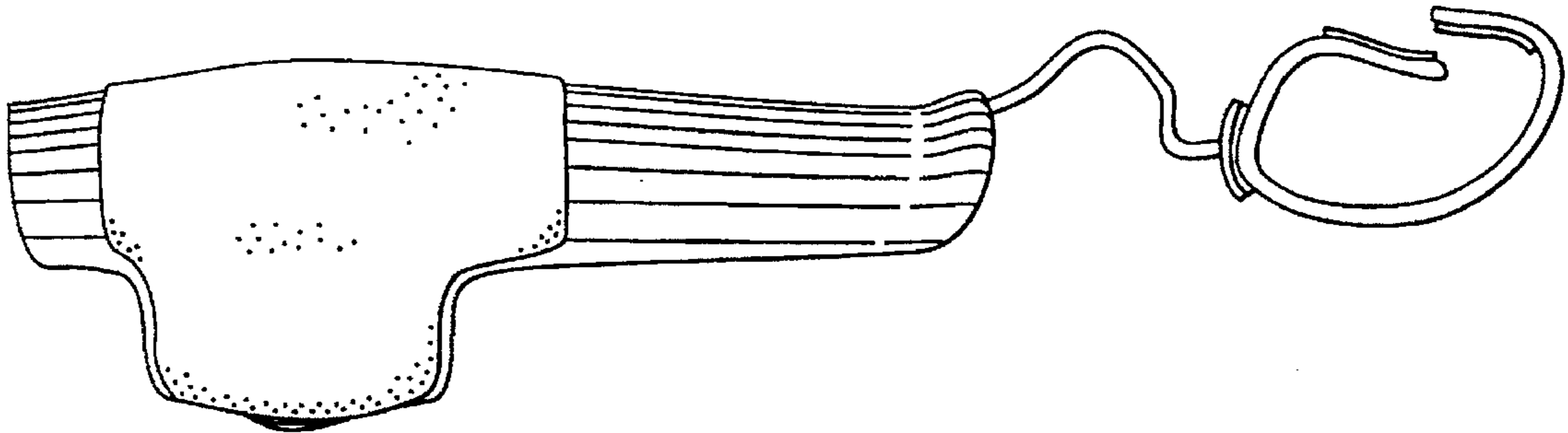


Fig.8

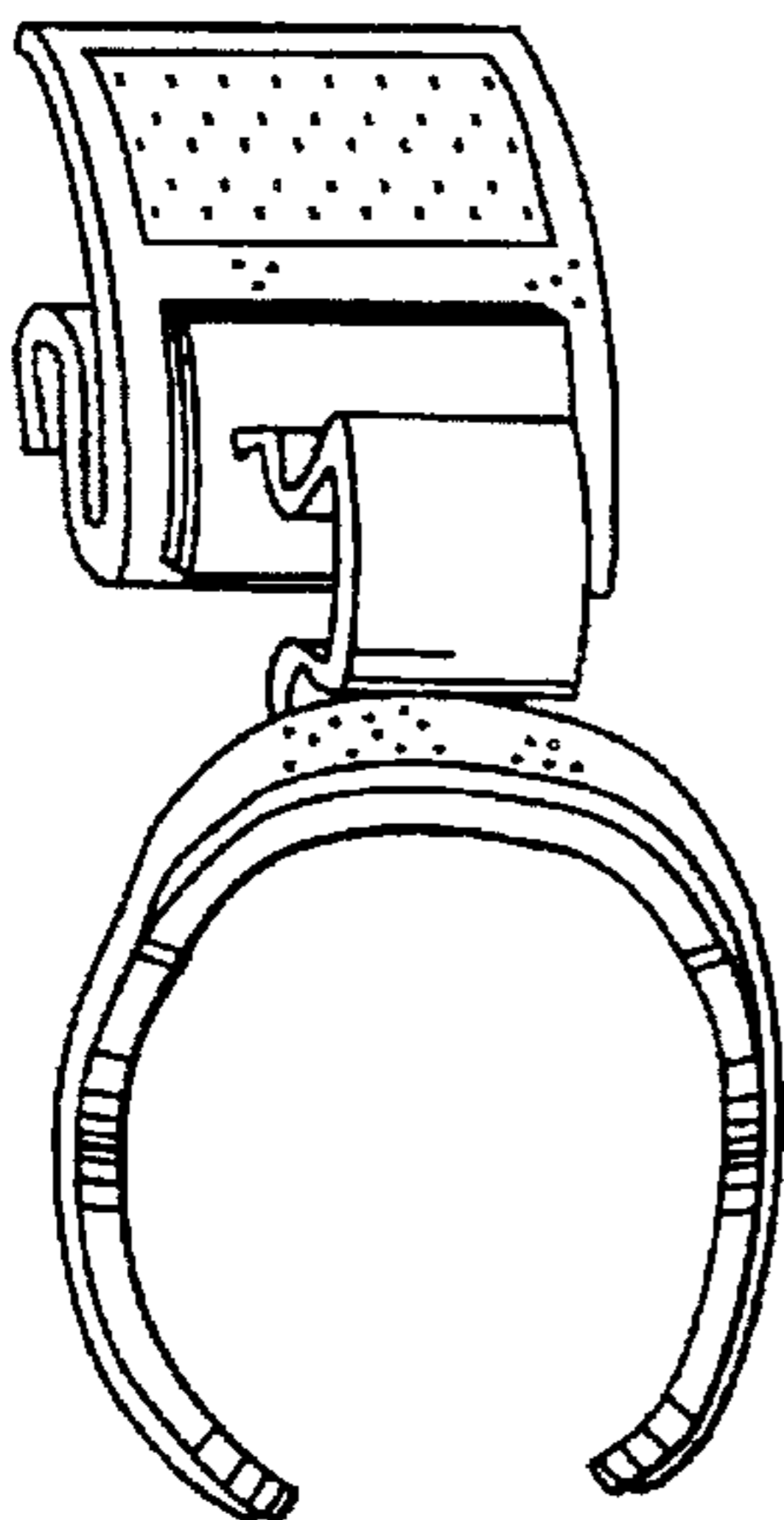


Fig.9

