



US00D379671S

United States Patent [19]

Stayner

[11] Patent Number: **Des. 379,671**

[45] Date of Patent: ****Jun. 3, 1997**

[54] **BUILDING PANEL BRACE**

5,377,462 1/1995 Beals et al. D25/60

[75] Inventor: **Vance A. Stayner**, Sugar Grove, Ill.

Primary Examiner—Doris Clark

Attorney, Agent, or Firm—Banner & Witcoff, Ltd.

[73] Assignee: **Geneva International Industrial Corp.**, Huntley, Ill.

[57] CLAIM

[**] Term: **14 Years**

The ornamental design for a building panel brace, as shown.

[21] Appl. No.: **52,045**

DESCRIPTION

[22] Filed: **Mar. 21, 1996**

FIG. 1 is an top perspective view of the building panel brace; FIG. 2 is an bottom perspective view of the building panel brace;

[51] LOC (6) Cl. **25-01**

[52] U.S. Cl. **D25/132**

[58] Field of Search D25/61, 132; 52/127.2, 52/146, 152; 248/354.1

FIG. 3 is a top plan view of the building panel brace;

FIG. 4 is a bottom plan view of the building panel brace;

FIG. 5 is a front view of the building panel brace;

FIG. 6 is a back view of the building panel brace;

FIG. 7 is a right side elevational view of the building panel brace; and,

FIG. 8 is a left side elevational view of the building panel brace.

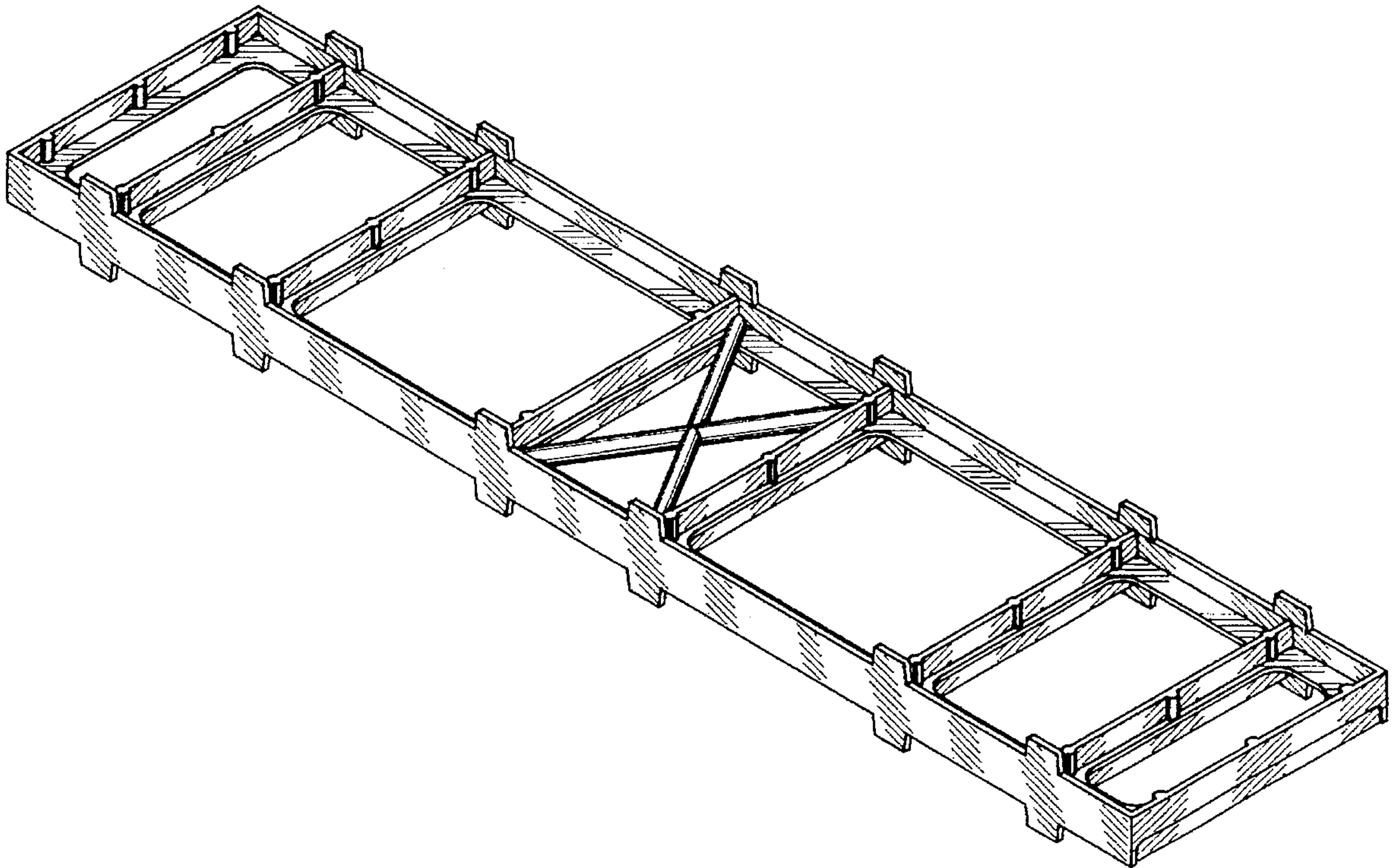
[56] References Cited

U.S. PATENT DOCUMENTS

4,200,946 5/1980 Lawrence D25/132

5,253,839 10/1993 McClure 52/127.2

1 Claim, 4 Drawing Sheets



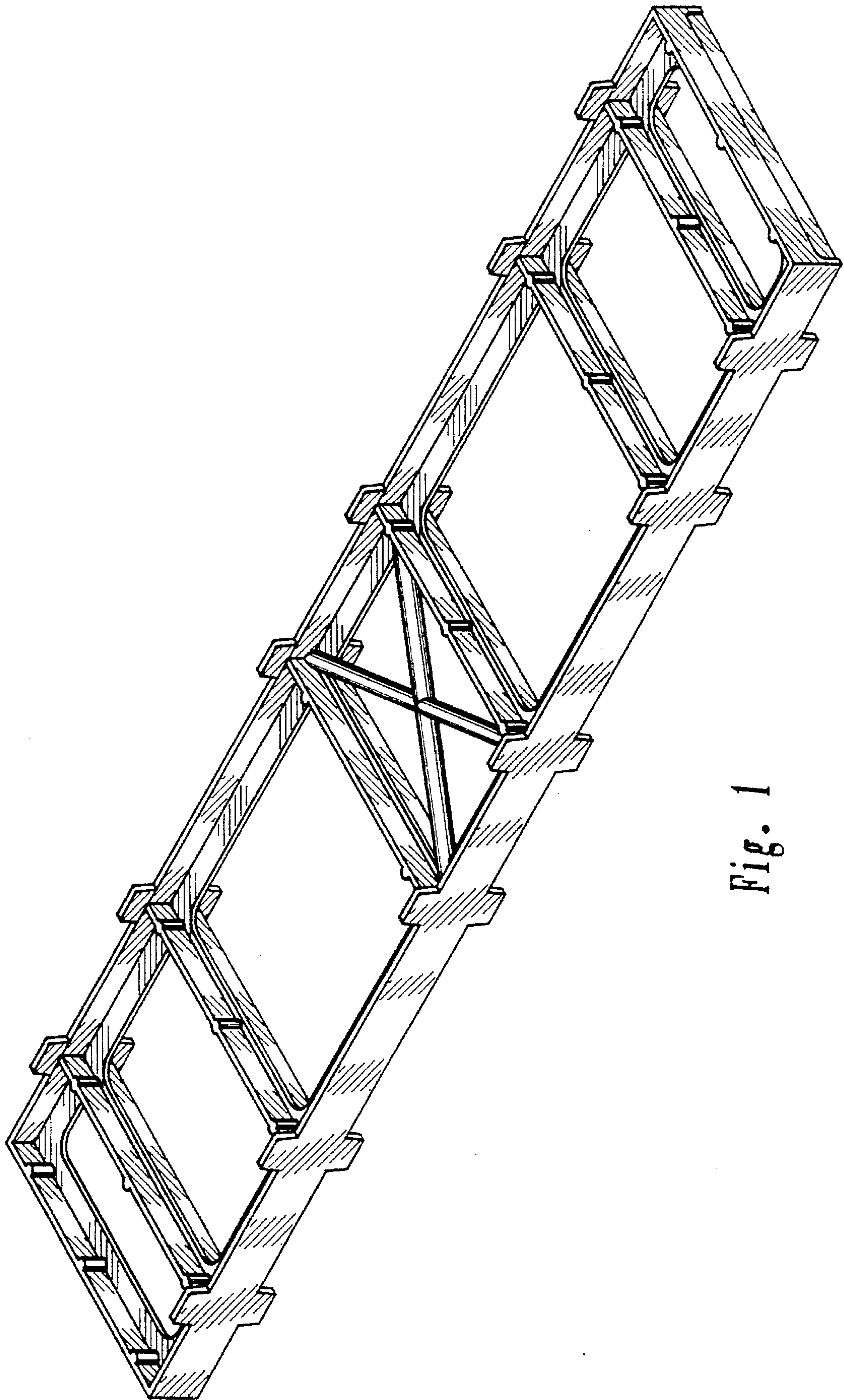


Fig. 1

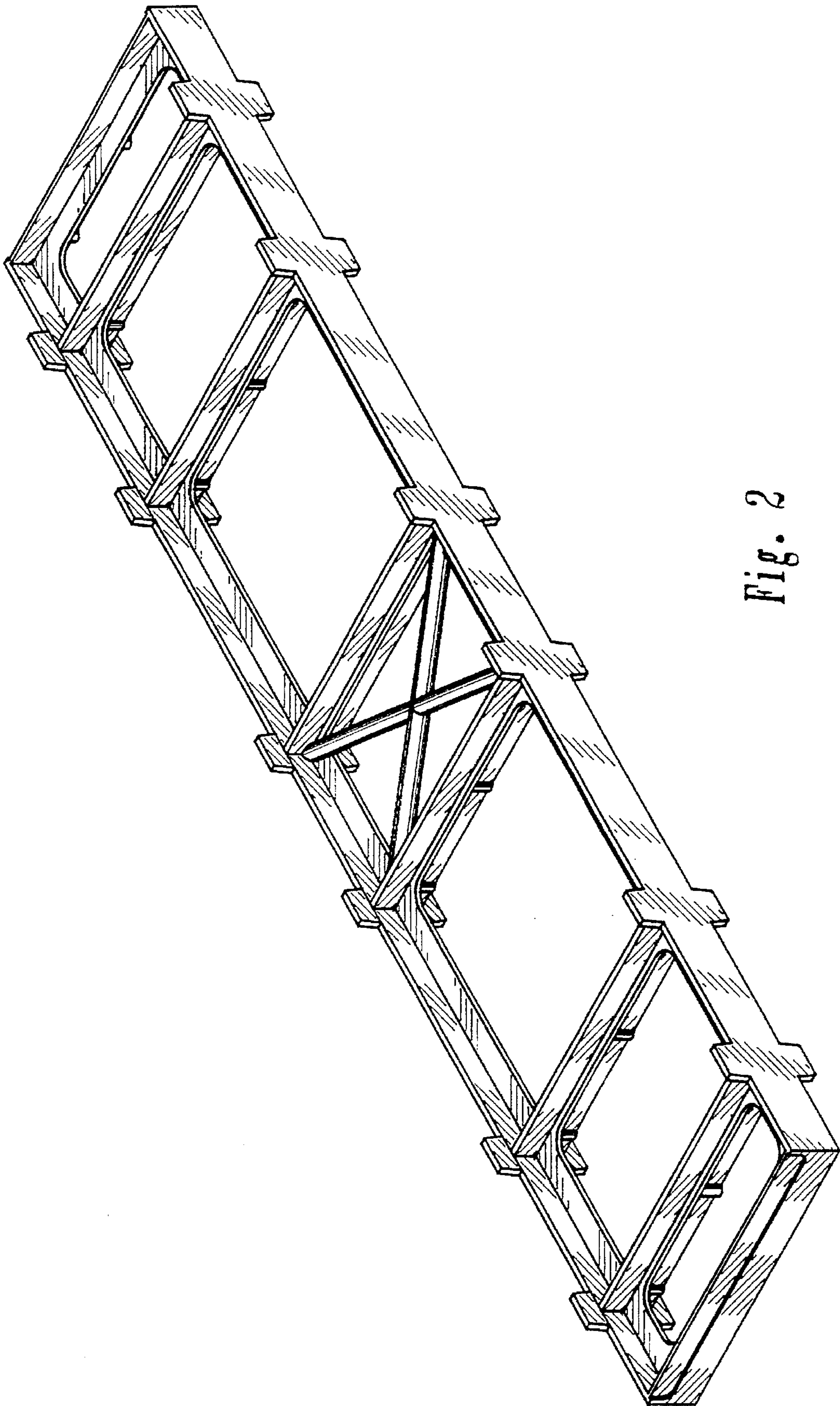


Fig. 2

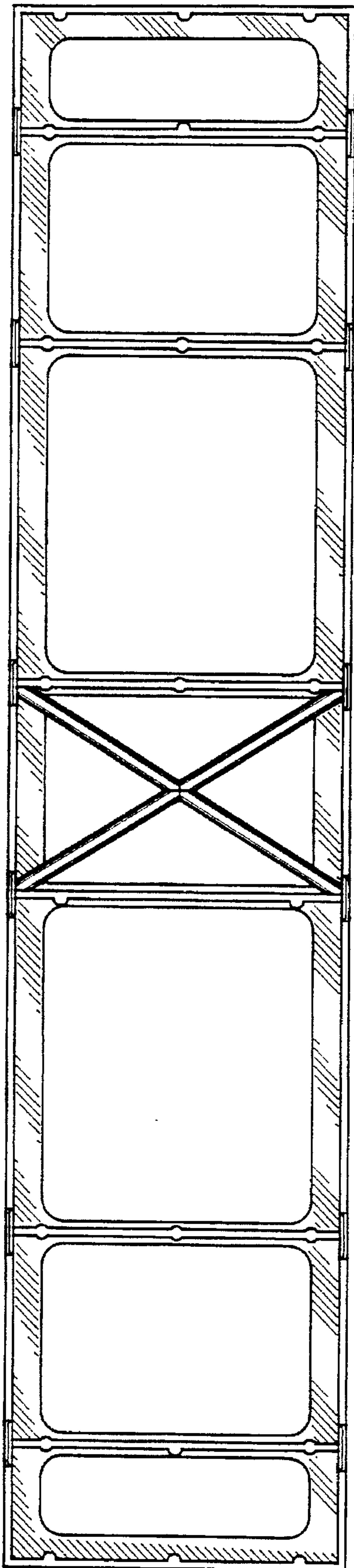


Fig. 3

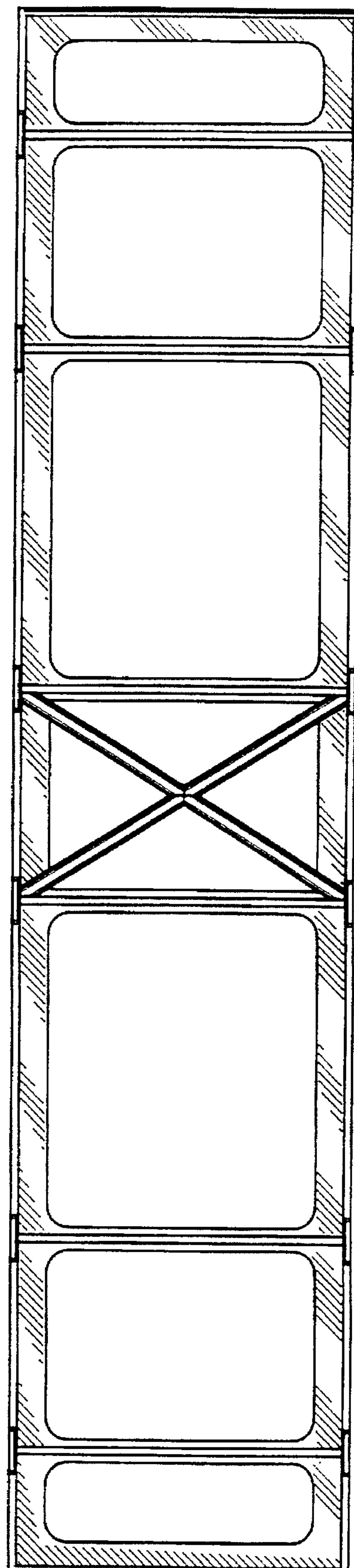


Fig. 4

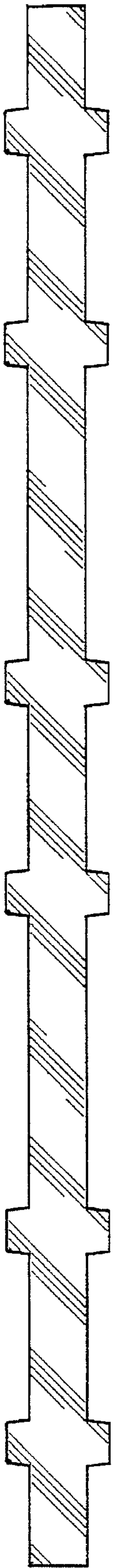


Fig. 5

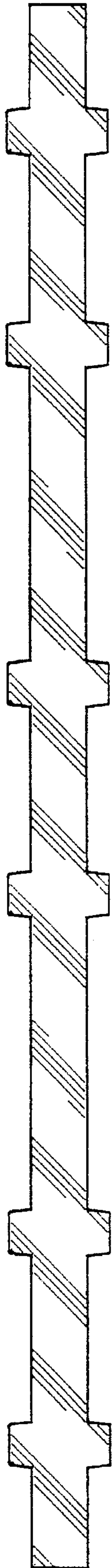


Fig. 6

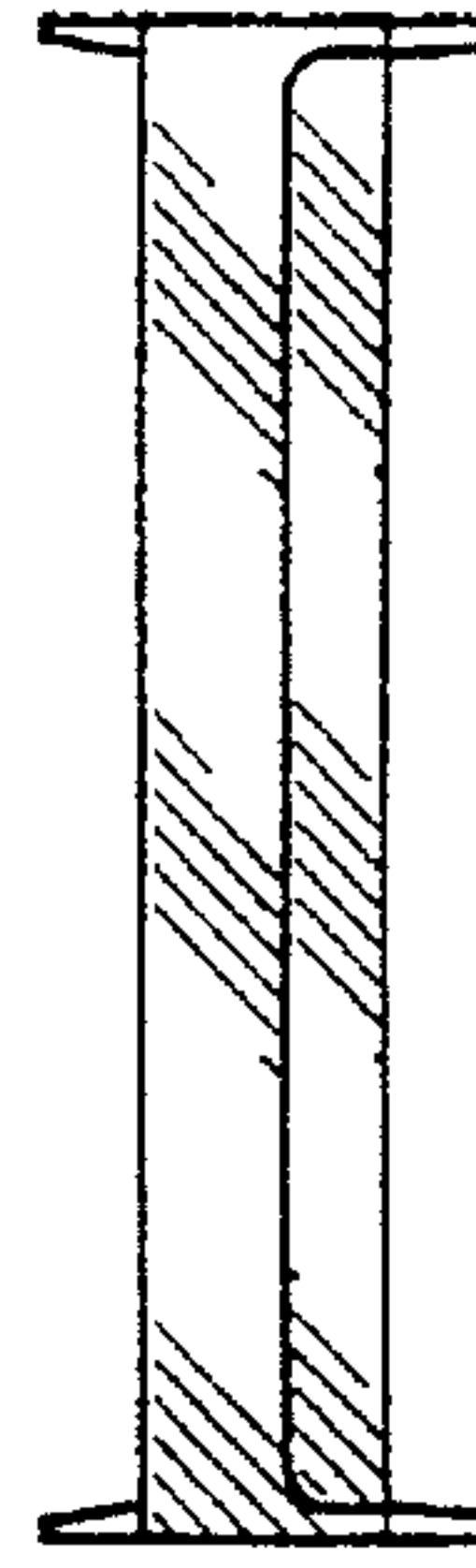


Fig. 8

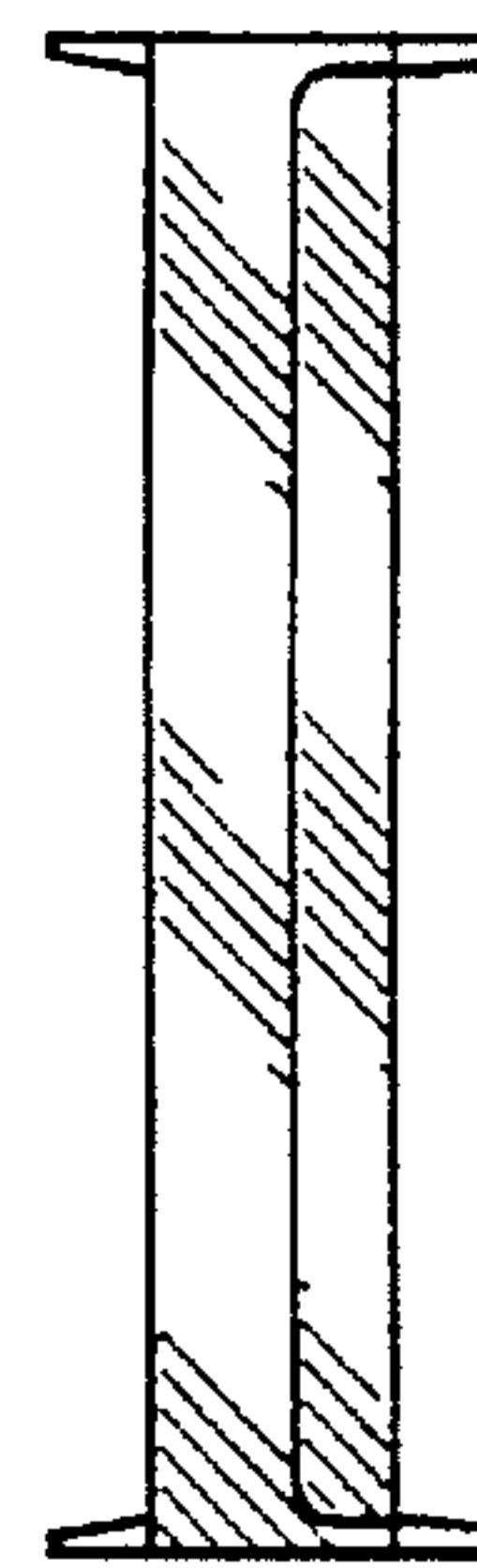


Fig. 7