



US00D379670S

United States Patent [19]
Karanikas

[11] **Patent Number: Des. 379,670**
[45] **Date of Patent: **Jun. 3, 1997**

[54] **STACKABLE UNIT FOR A RETAINING WALL HAVING IRREGULAR STONEWORK**

[76] **Inventor: Terry Karanikas, P.O. Box 4621, Queensbury, N.Y. 12804**

[**] **Term: 14 Years**

[21] **Appl. No.: 51,042**

[22] **Filed: Feb. 28, 1996**

[51] **LOC (6) Cl. 25-01**

[52] **U.S. Cl. D25/113**

[58] **Field of Search D25/113-118; D21/108, 114; 446/110, 111, 119-122, 124-125, 128; 52/604, 605, 606, 592.1, 592.3, 592.6, 314, 311.1, 456, 592.2**

[56] **References Cited**

U.S. PATENT DOCUMENTS

D. 124,533	1/1941	Lebecque	D25/113
D. 297,767	9/1988	Forsberg	D25/114
D. 306,489	3/1990	Karanikas	D25/113
723,175	3/1903	Meyers	52/606

1,809,504	6/1931	Carvel	52/314
1,879,311	9/1932	Keuls	52/604
2,449,458	9/1948	Dryden	52/592.6
2,578,600	12/1951	Rose	52/605
2,819,495	1/1958	Krausz	52/314
3,659,358	5/1972	Brown	446/110
5,257,880	11/1993	Janopaul, Jr.	52/606

Primary Examiner—Ted Shooman
Assistant Examiner—Raphael Barkai
Attorney, Agent, or Firm—Schmeiser, Olsen & Watts

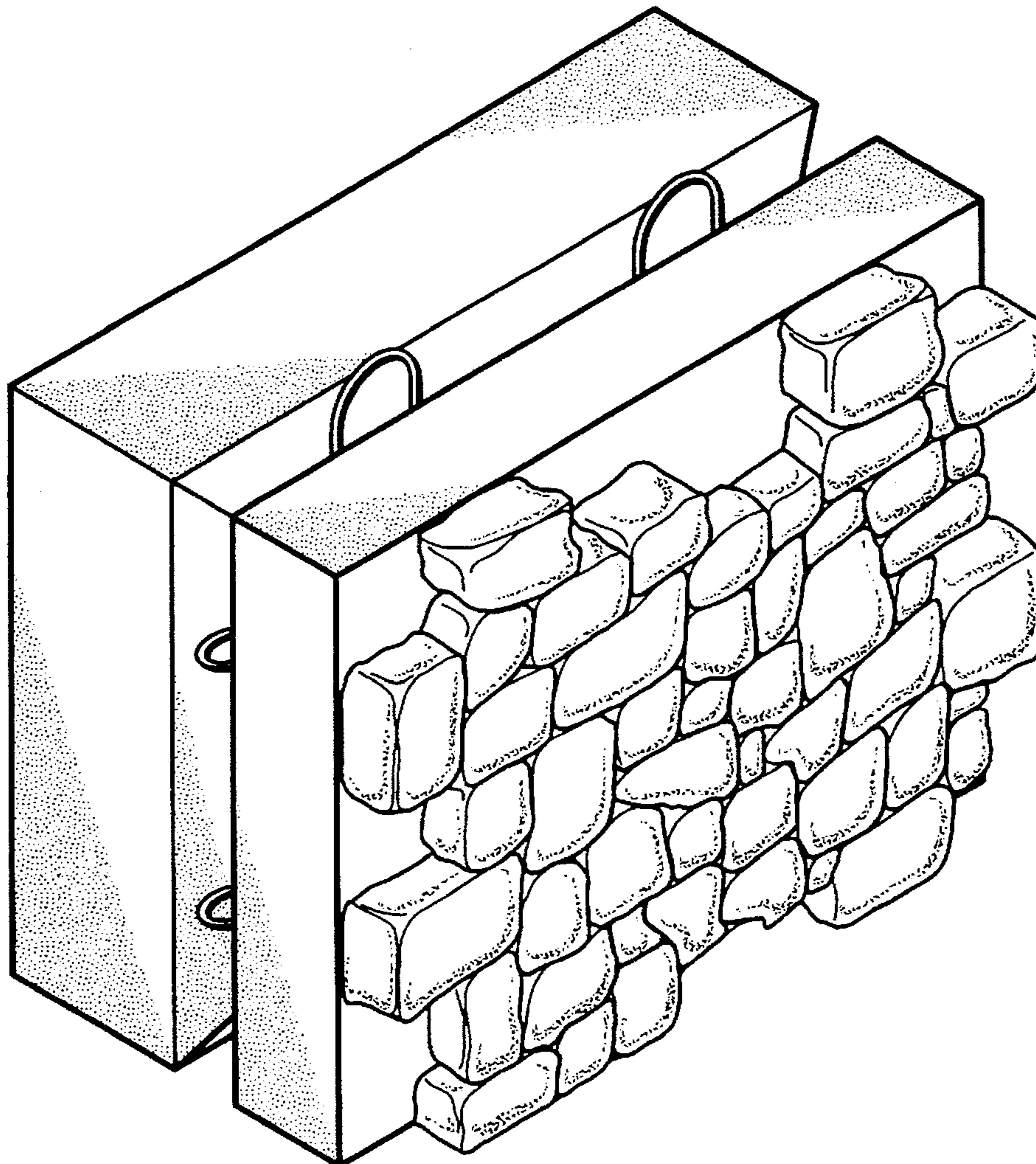
[57] **CLAIM**

The ornamental design for a stackable unit for a retaining wall having irregular stonework, as shown.

DESCRIPTION

FIG. 1 is a top plan view of a stackable unit for a retaining wall having irregular stonework showing my new design; FIG. 2 is a front elevational view thereof; FIG. 3 is a right side elevational view thereof; FIG. 4 is a bottom plan view thereof; FIG. 5 is a rear elevational view thereof; and, FIG. 6 is an isometric view thereof.

1 Claim, 2 Drawing Sheets



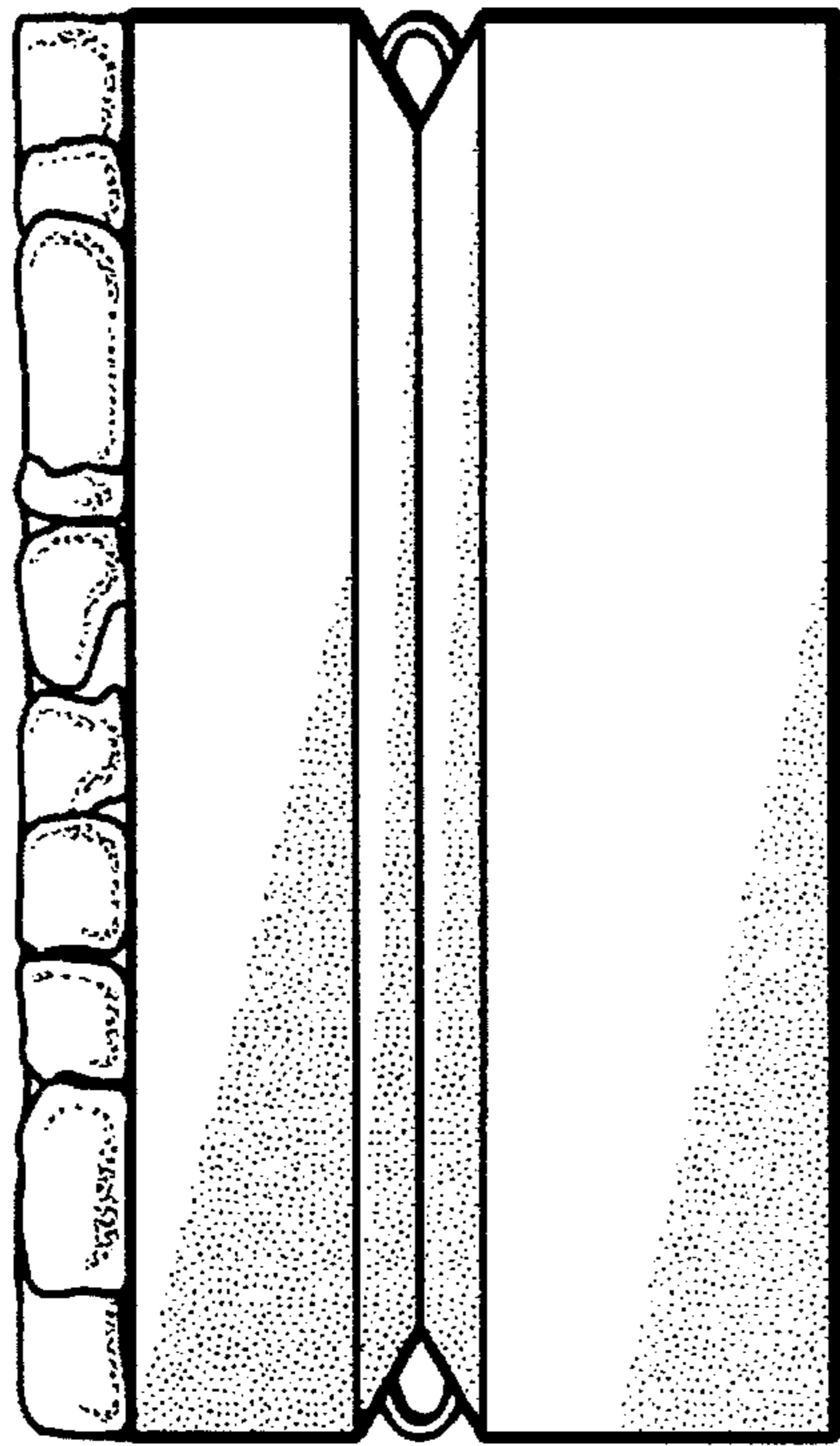


FIG. 1

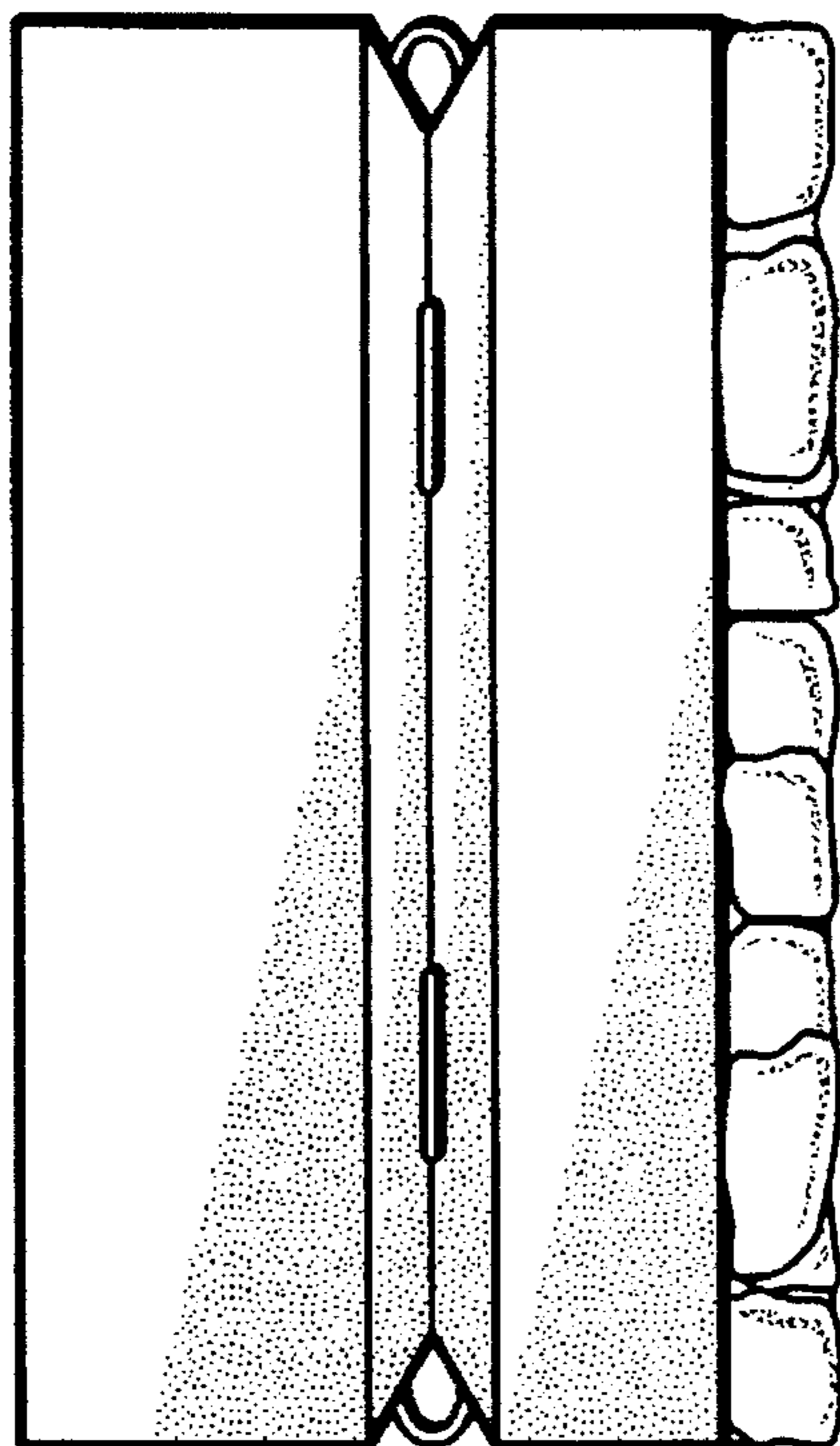


FIG. 2

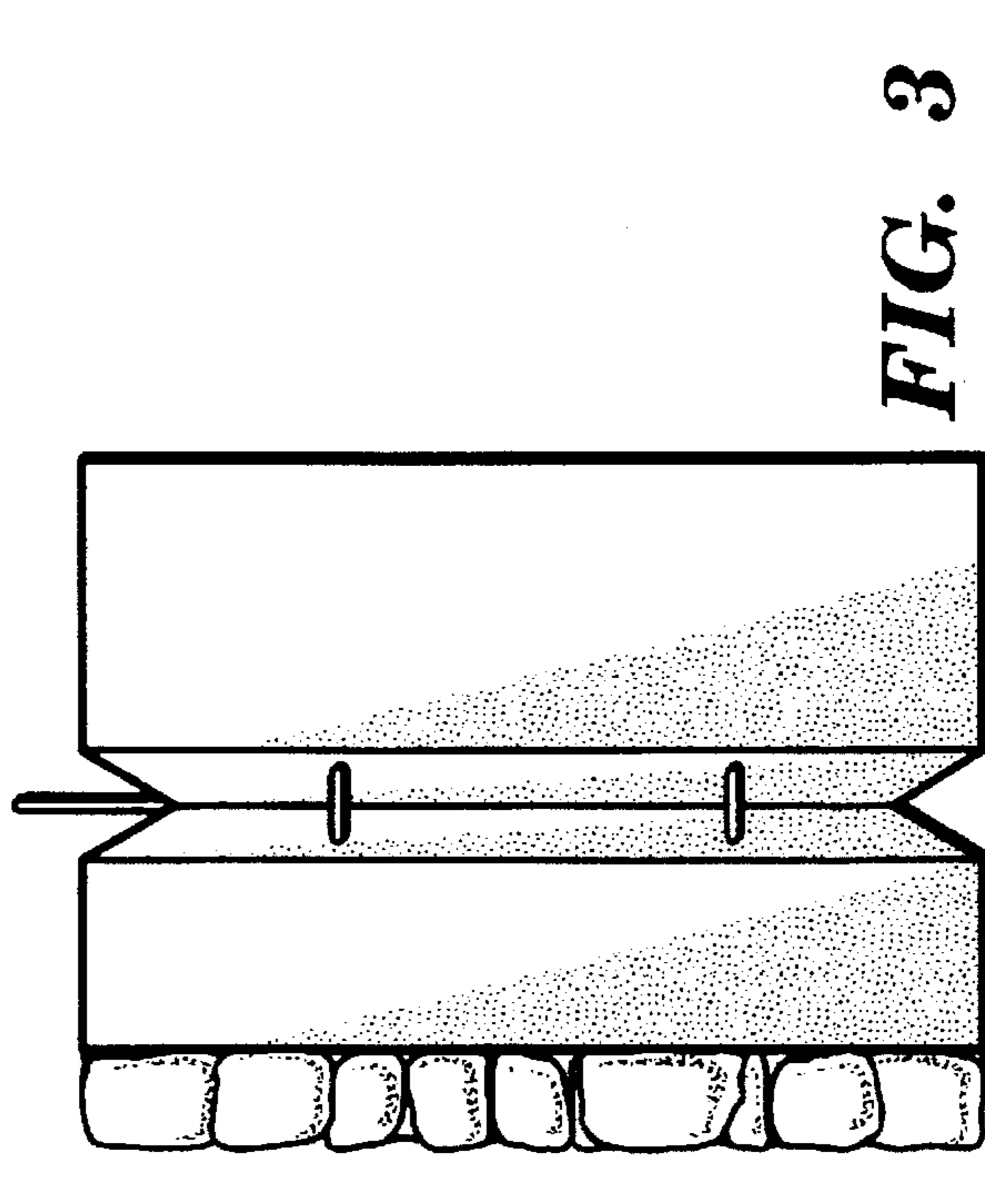


FIG. 3

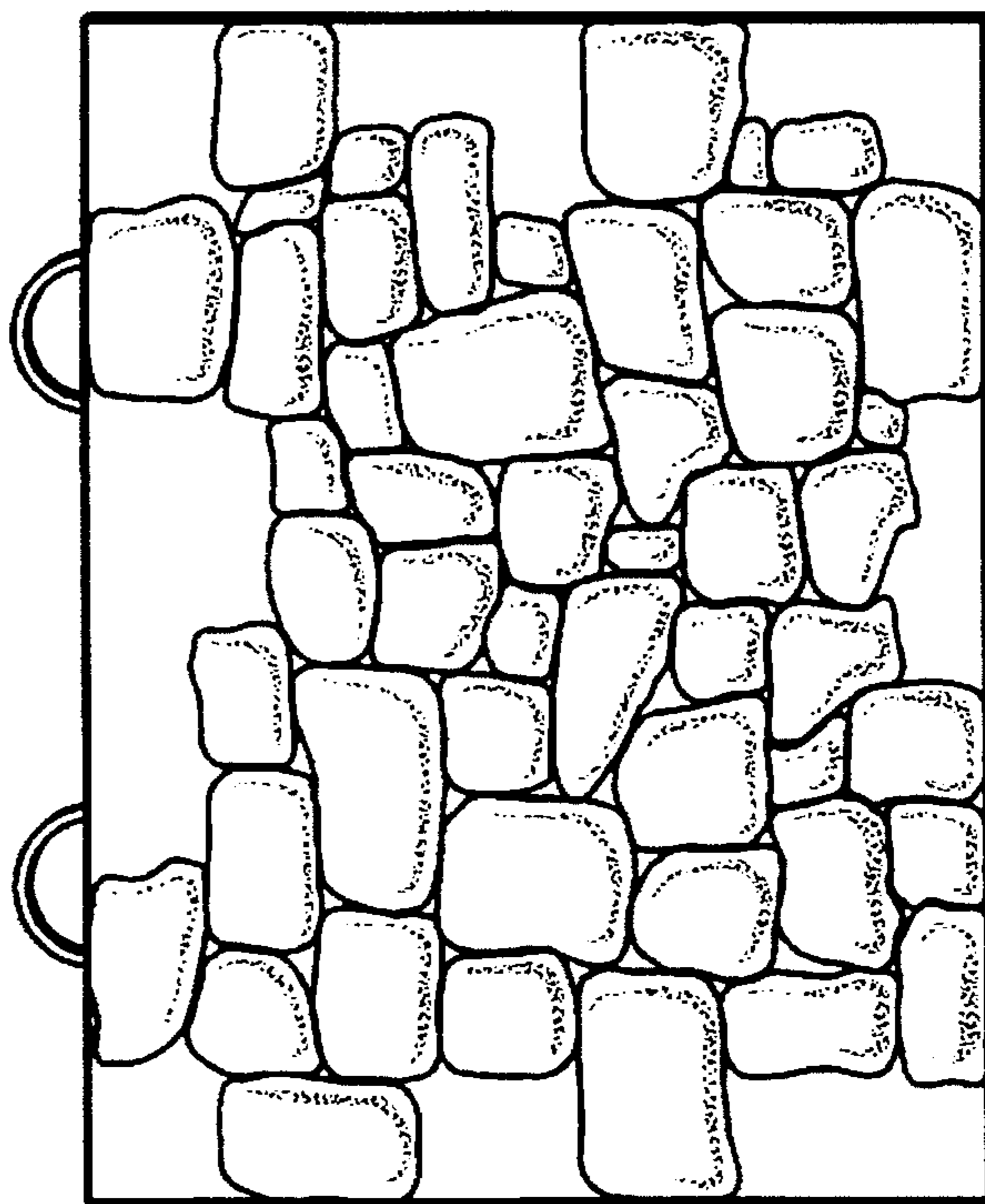


FIG. 4

FIG. 5

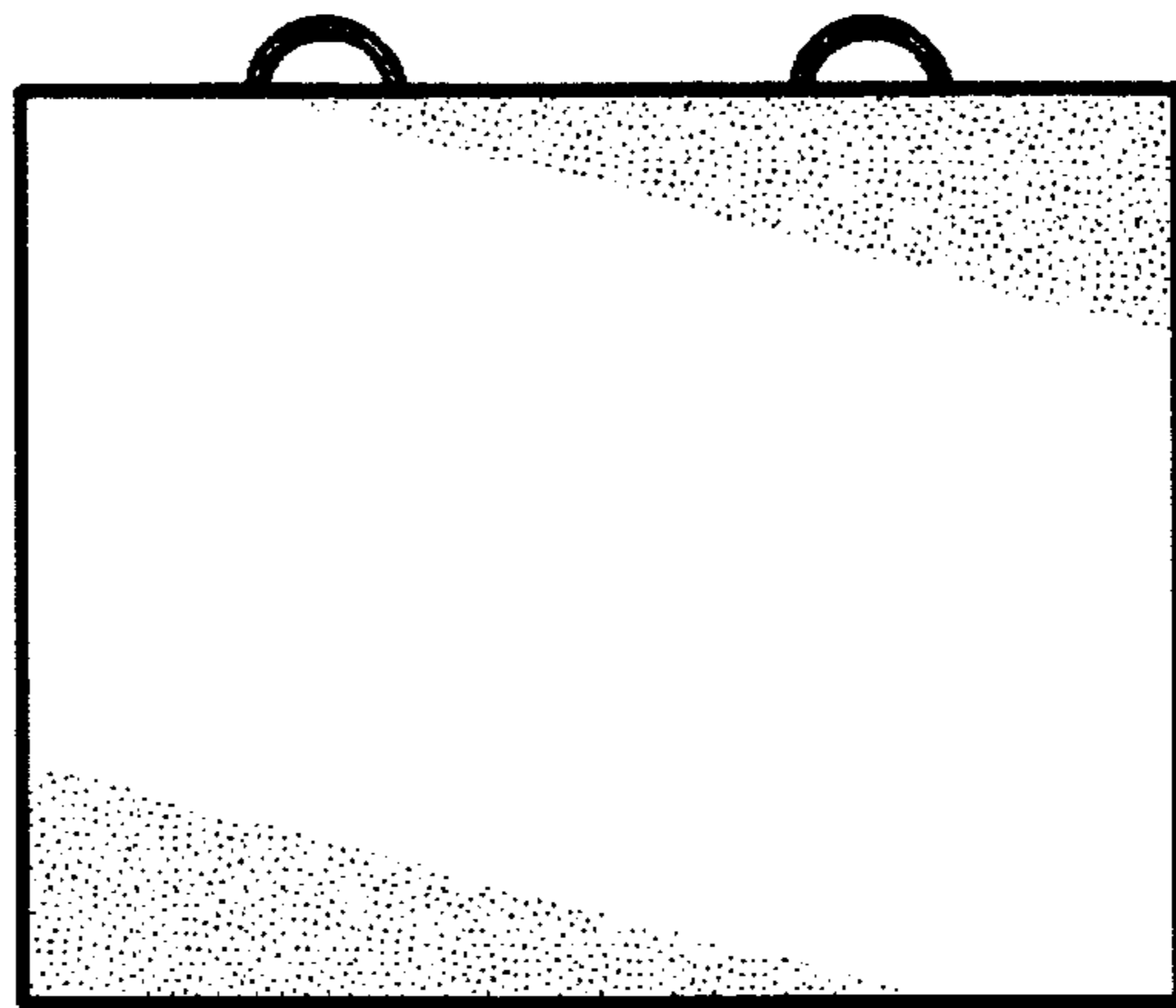


FIG. 6

