



US00D379667S

United States Patent [19] Horton

[11] Patent Number: **Des. 379,667**
[45] Date of Patent: ****Jun. 3, 1997**

[54] **KIOSK**
[75] Inventor: **Tony L. Horton, Dallas, Tex.**
[73] Assignee: **T L Horton Design, Inc., Dallas, Tex.**
[**] Term: **14 Years**
[21] Appl. No.: **52,900**
[22] Filed: **Apr. 8, 1996**
[51] LOC (6) Cl. **25-03**
[52] U.S. Cl. **D25/16; D6/437**
[58] Field of Search **D6/432-448, 396, D6/397, 474, 481, 477-479, 473, 476; D34/19-21; D25/16, 22-26; 52/34, 74; 312/194-196; 108/92-96, 111**

D. 279,408	6/1985	Davenport et al.	D25/25
D. 288,040	2/1987	LeBlanc	D6/473
D. 288,609	3/1987	Watkins	D25/1
D. 313,077	12/1990	Minarro	D25/16
D. 346,867	5/1994	Montilla	D25/16
D. 350,829	9/1994	Horton	D25/16
D. 354,816	1/1995	Horton	D25/16
D. 367,777	3/1996	Arnone	D6/436
589,971	9/1897	Kephart	D25/16 X
2,836,860	6/1958	Staropoli	20/1.6
3,715,815	2/1973	Lewis	312/196 X
5,048,857	9/1991	Stevens	108/111 X

Primary Examiner—Carmen H. Vales-Lado
Attorney, Agent, or Firm—Ross, Clapp, Korn & Montgomery, L.L.P.

[57] CLAIM

The ornamental design for a “kiosk”, as shown and described.

[56] References Cited

U.S. PATENT DOCUMENTS

D. 54,883	4/1920	Willett	D6/476 X
D. 85,555	7/1931	Stebbins	D25/7
D. 148,842	3/1948	Cushman	D6/437
D. 149,381	4/1948	Schick	D6/437
D. 152,219	12/1948	Schick	D6/437
D. 152,371	1/1949	Schick	D6/437
D. 200,225	2/1965	Benjamin	D25/16
D. 219,579	12/1970	Wormser	D13/1
D. 254,327	2/1980	Tasse	D25/26

DESCRIPTION

FIG. 1 is a front elevational view of my invention; FIG. 2 is a right side elevational view thereof; FIG. 3 is a top plan view thereof; FIG. 4 is a bottom plan view thereof; FIG. 5 is a rear elevational view thereof; and, FIG. 6 is a left side elevational view thereof.

1 Claim, 3 Drawing Sheets

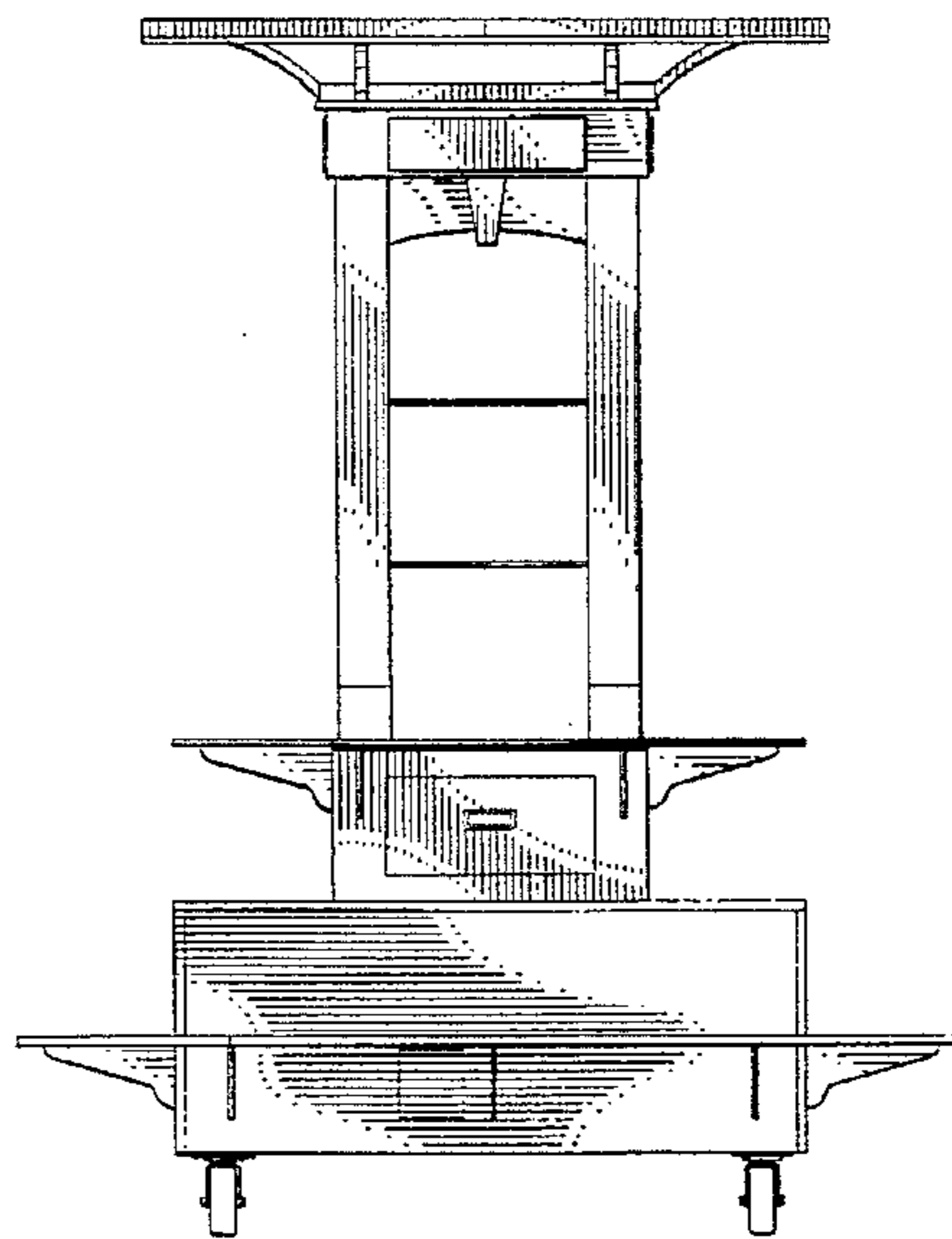
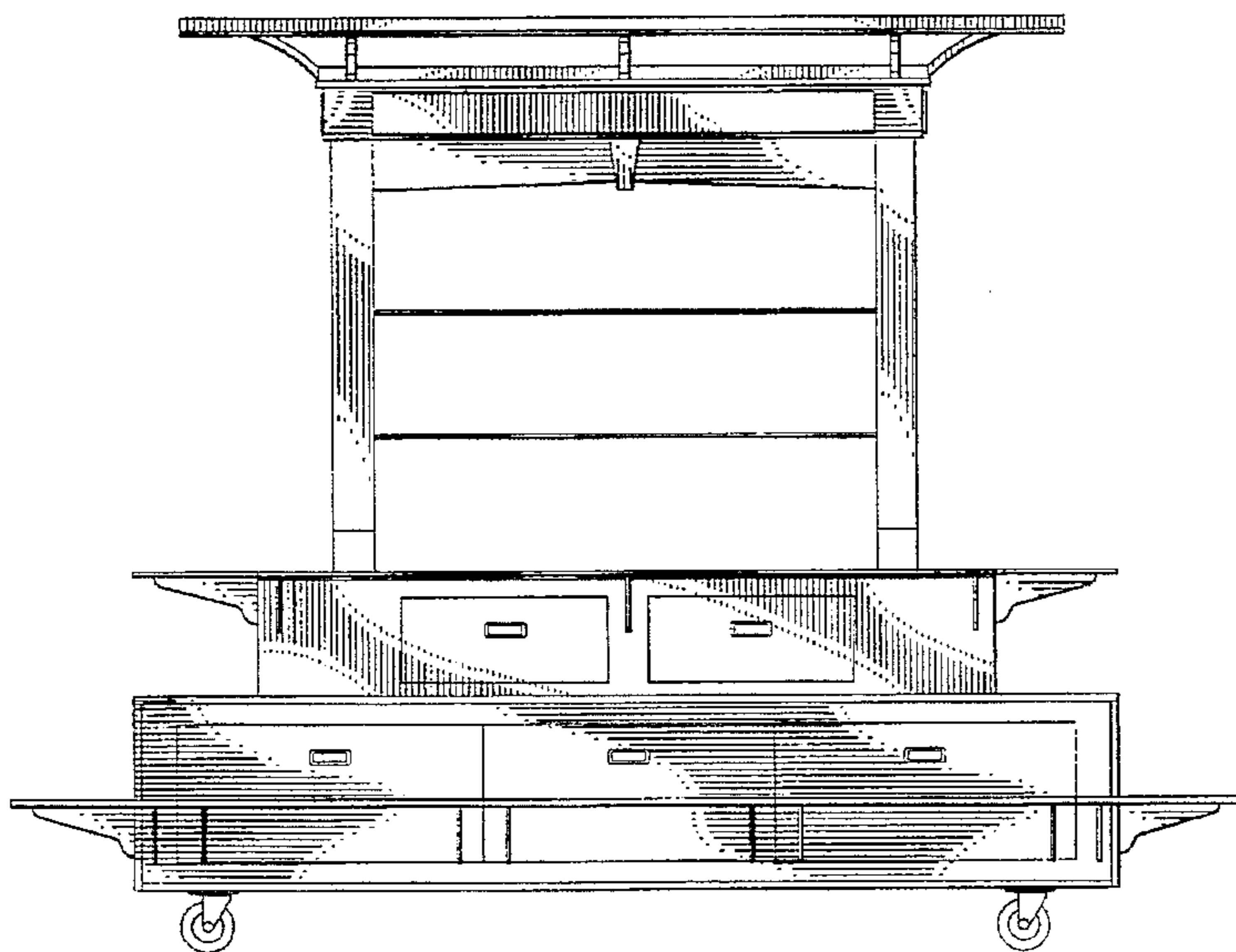


FIG. 2

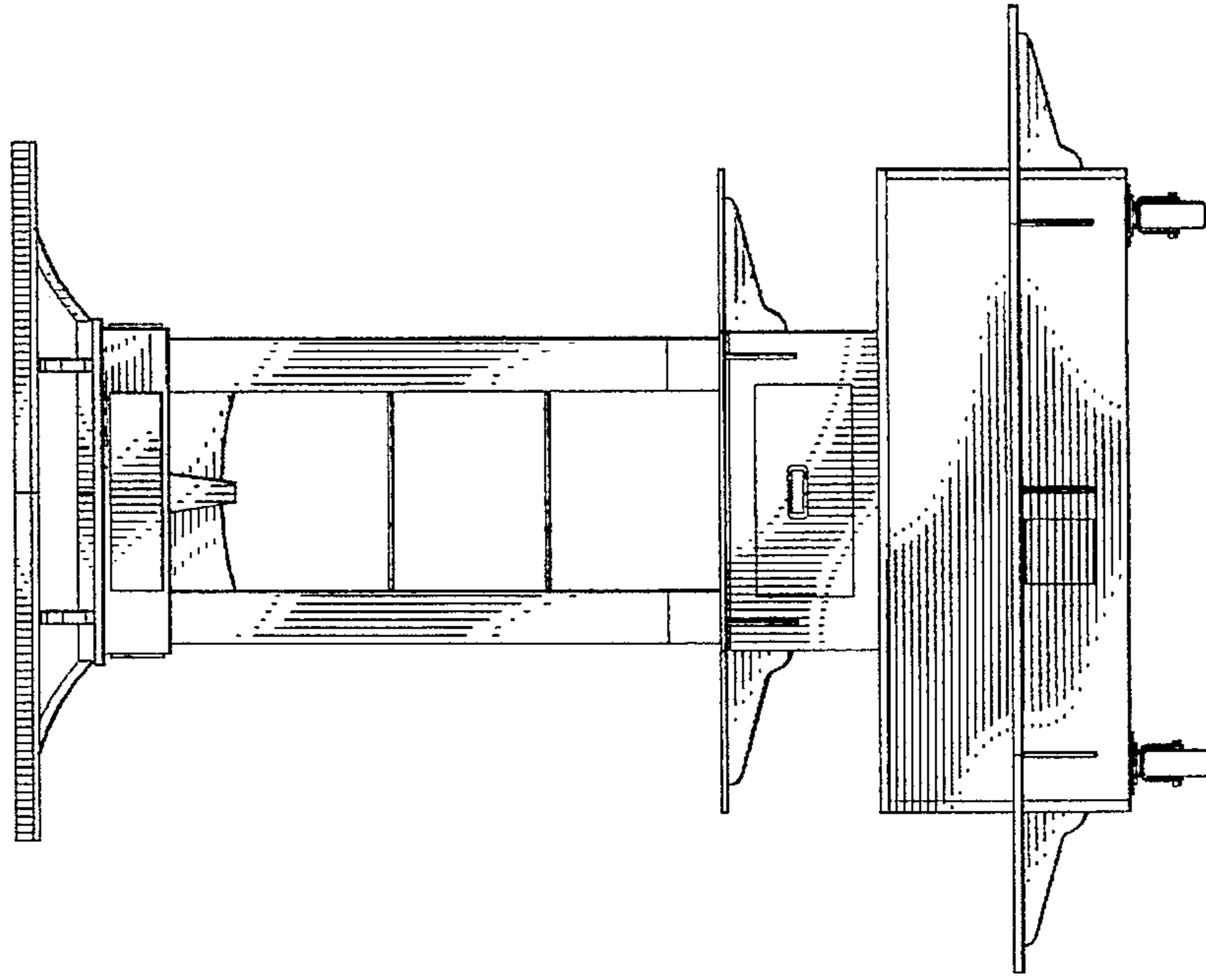


FIG. 1

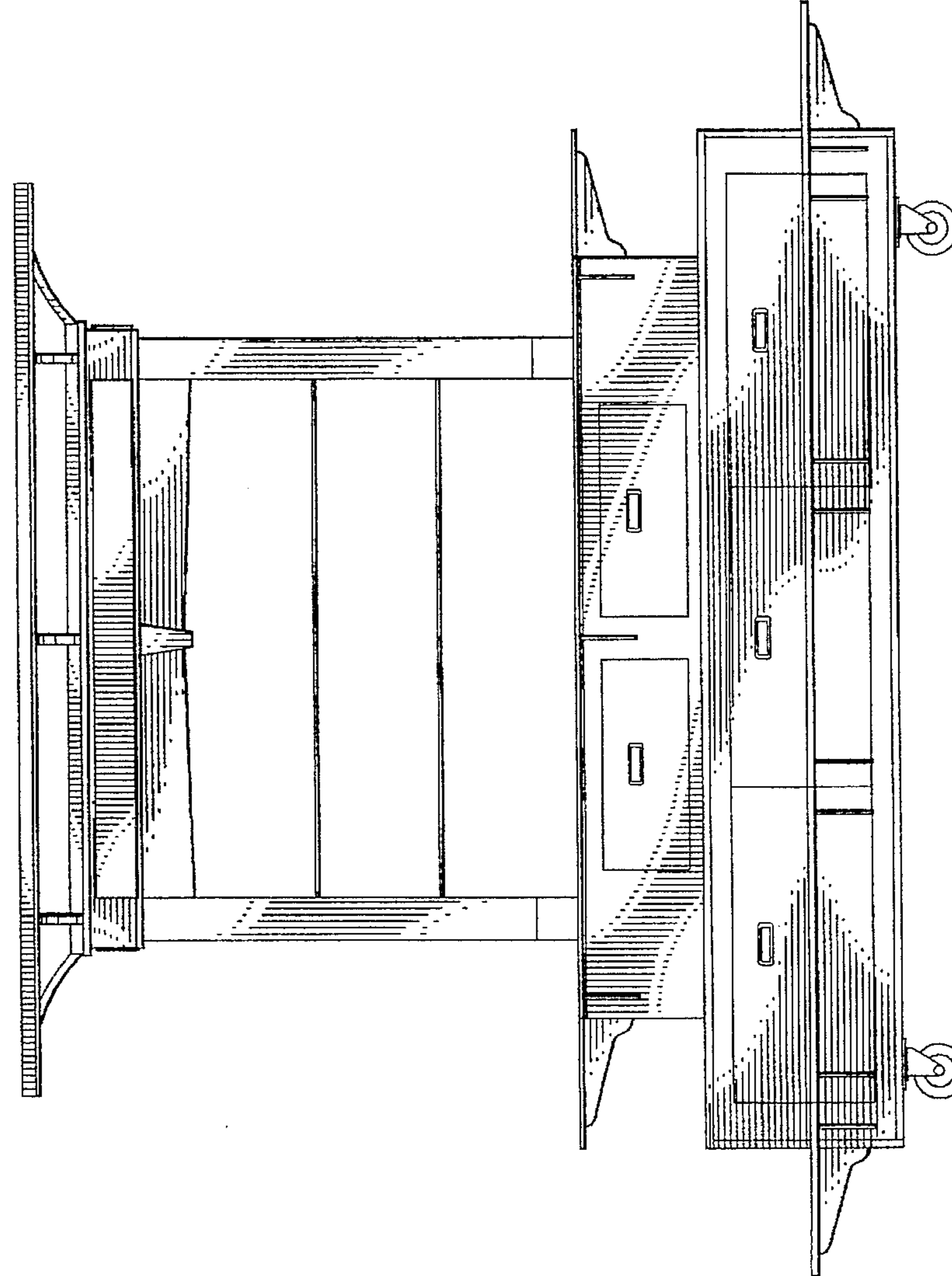


FIG. 3

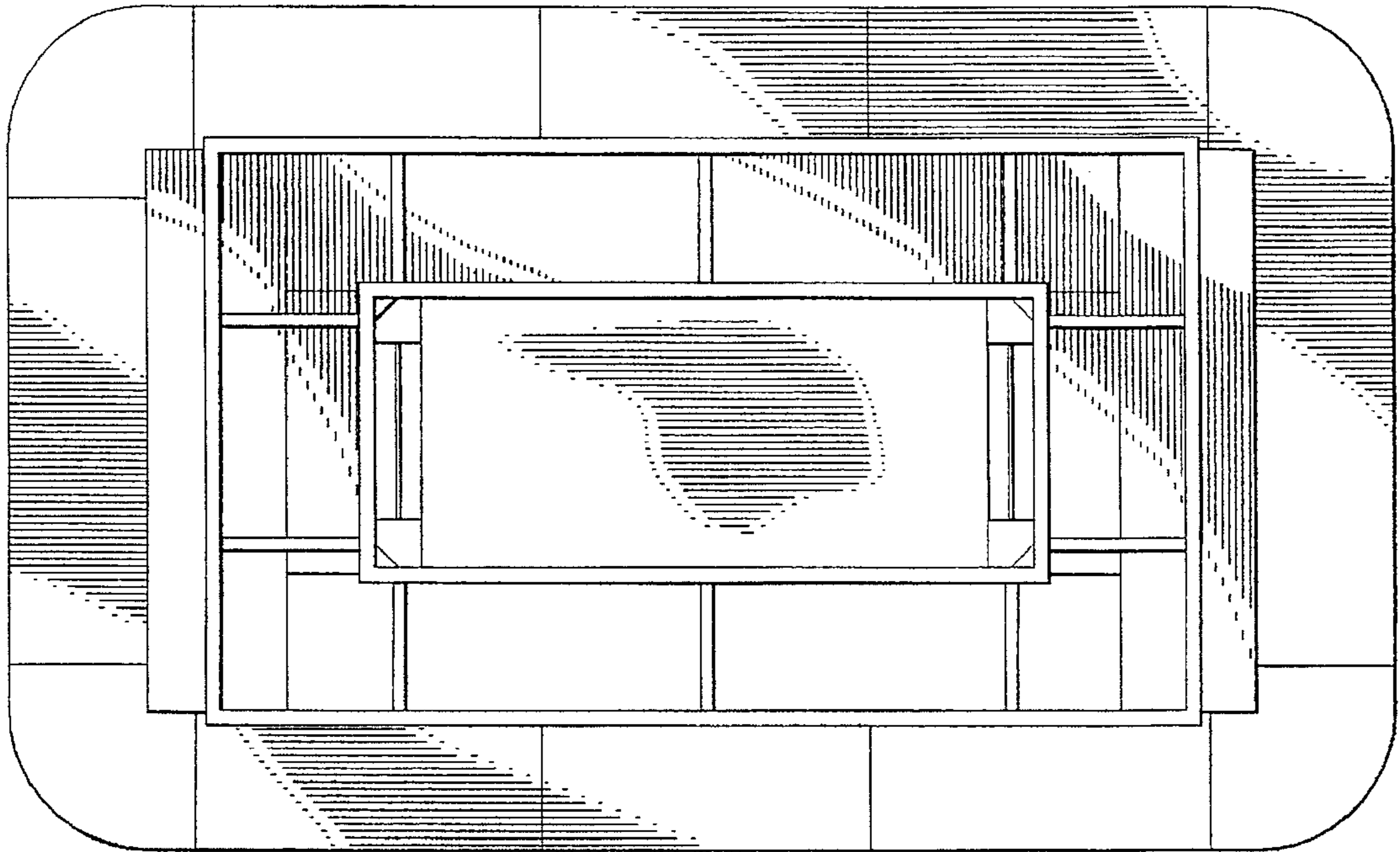


FIG. 4

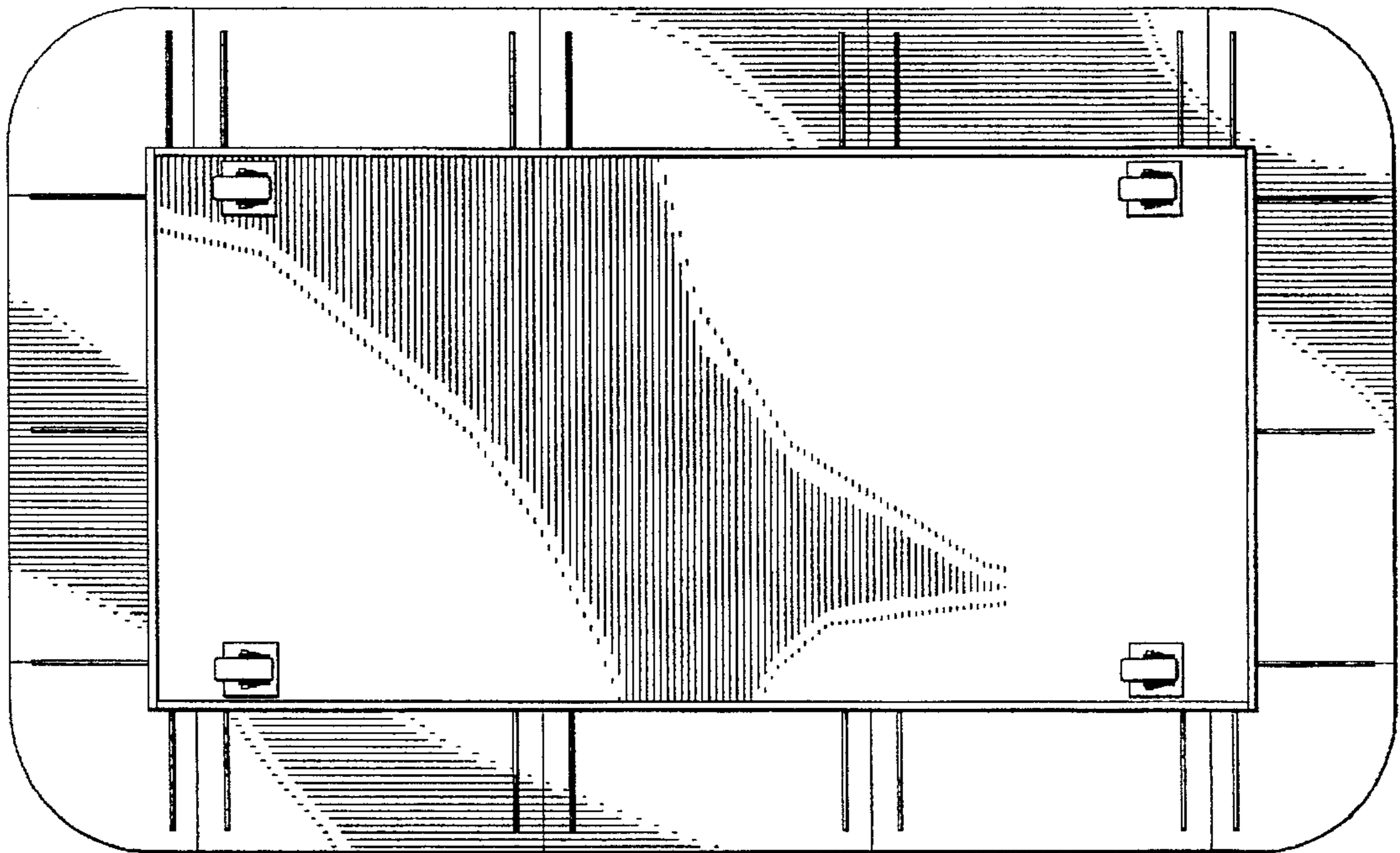


FIG. 6

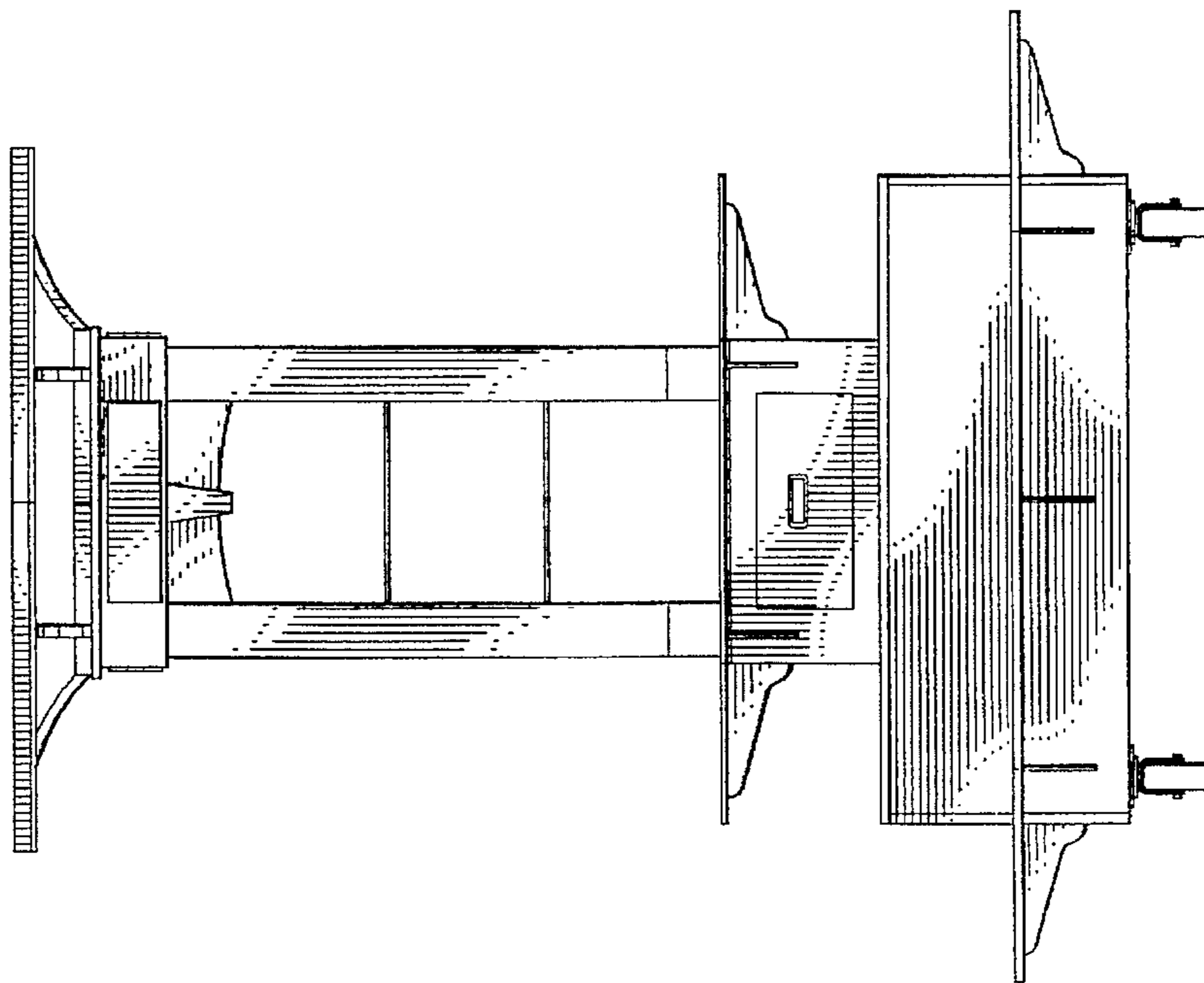


FIG. 5

