



US00D379666S

United States Patent [19] Horton

[11] Patent Number: **Des. 379,666**
[45] Date of Patent: ****Jun. 3, 1997**

[54] **KIOSK**
[75] Inventor: **Tony L. Horton**, Dallas, Tex.
[73] Assignee: **T L Horton Design, Inc.**, Dallas, Tex.
[**] Term: **14 Years**
[21] Appl. No.: **52,899**
[22] Filed: **Apr. 8, 1996**
[51] LOC (6) Cl. **25-03**
[52] U.S. Cl. **D25/16; D6/437**
[58] Field of Search D6/396, 397, 432-448,
D6/474, 477-479, 481, 473, 476; D25/16,
22-26; 52/34, 74; D34/19-21; 108/92-96,
111; 312/194-196

D. 279,408 6/1985 Davenport et al. D25/25
D. 288,040 2/1987 LeBlanc D6/473
D. 288,609 3/1987 Watkins D25/1
D. 313,077 12/1990 Minarro D25/16
D. 341,458 11/1993 Carroll D34/20
D. 346,867 5/1994 Montilla D25/16
D. 350,829 9/1994 Horton D25/16
D. 354,816 1/1995 Horton D25/16
D. 367,777 3/1996 Arnone D6/436
589,971 9/1897 Kephart D25/16 X
2,836,860 6/1958 Staropoli 20/1.6
3,715,815 2/1973 Lewis 312/196 X
5,048,857 9/1991 Stevens 108/111 X

Primary Examiner—Carmen H. Vales-Lado
Attorney, Agent, or Firm—Ross, Clapp, Korn & Montgomery, L.L.P.

[56] **References Cited**

U.S. PATENT DOCUMENTS

D. 54,883 4/1920 Willett D6/476 X
D. 85,555 7/1931 Stebbings D25/7
D. 148,842 3/1948 Cushman D6/437
D. 149,381 4/1948 Schick D6/437
D. 152,219 12/1948 Schick D6/437
D. 152,371 1/1949 Schick D6/437
D. 200,225 2/1965 Benjamin D25/16 X
D. 219,579 12/1970 Wormser D13/1
D. 254,327 2/1980 Tasse D25/26

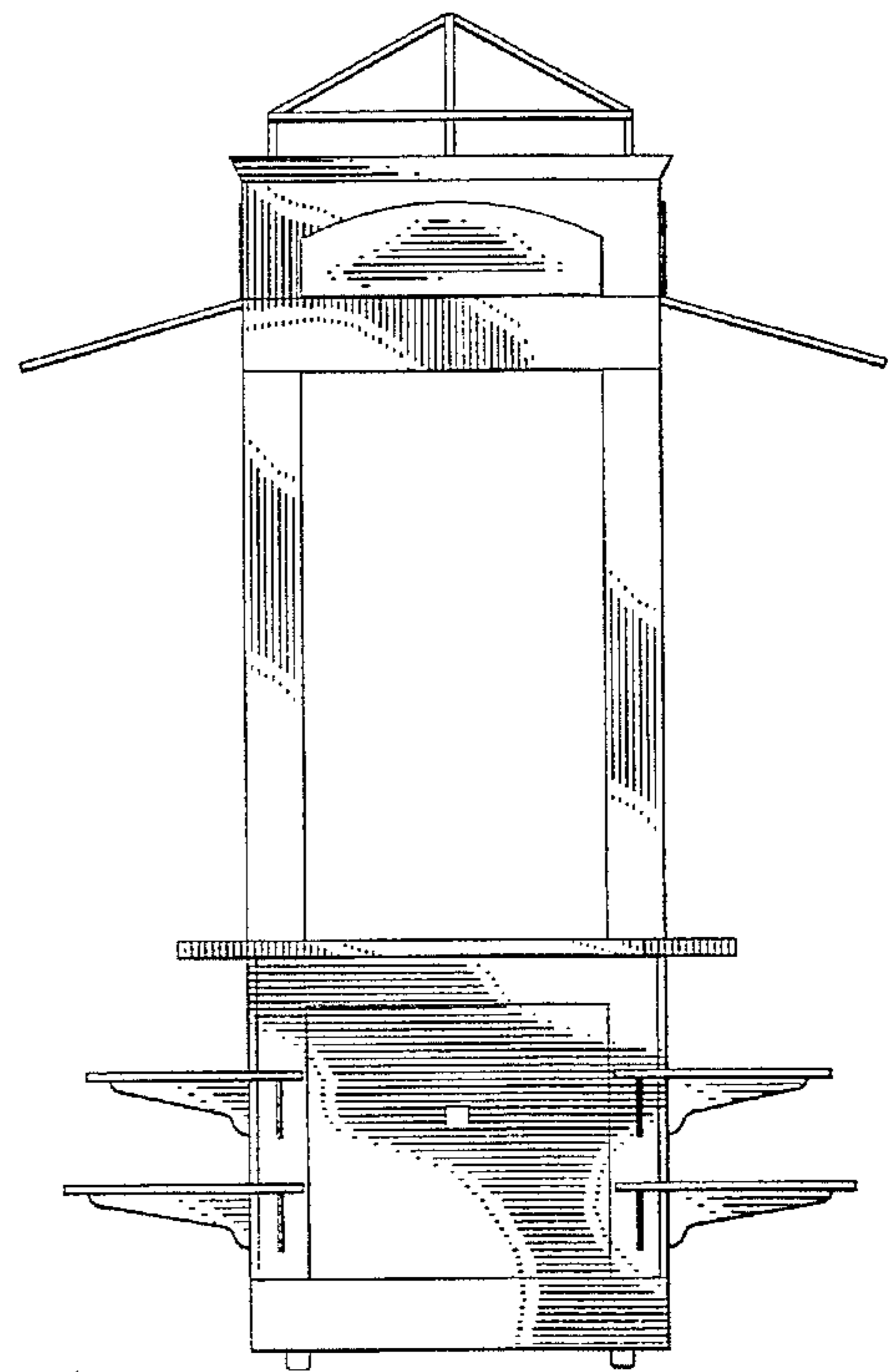
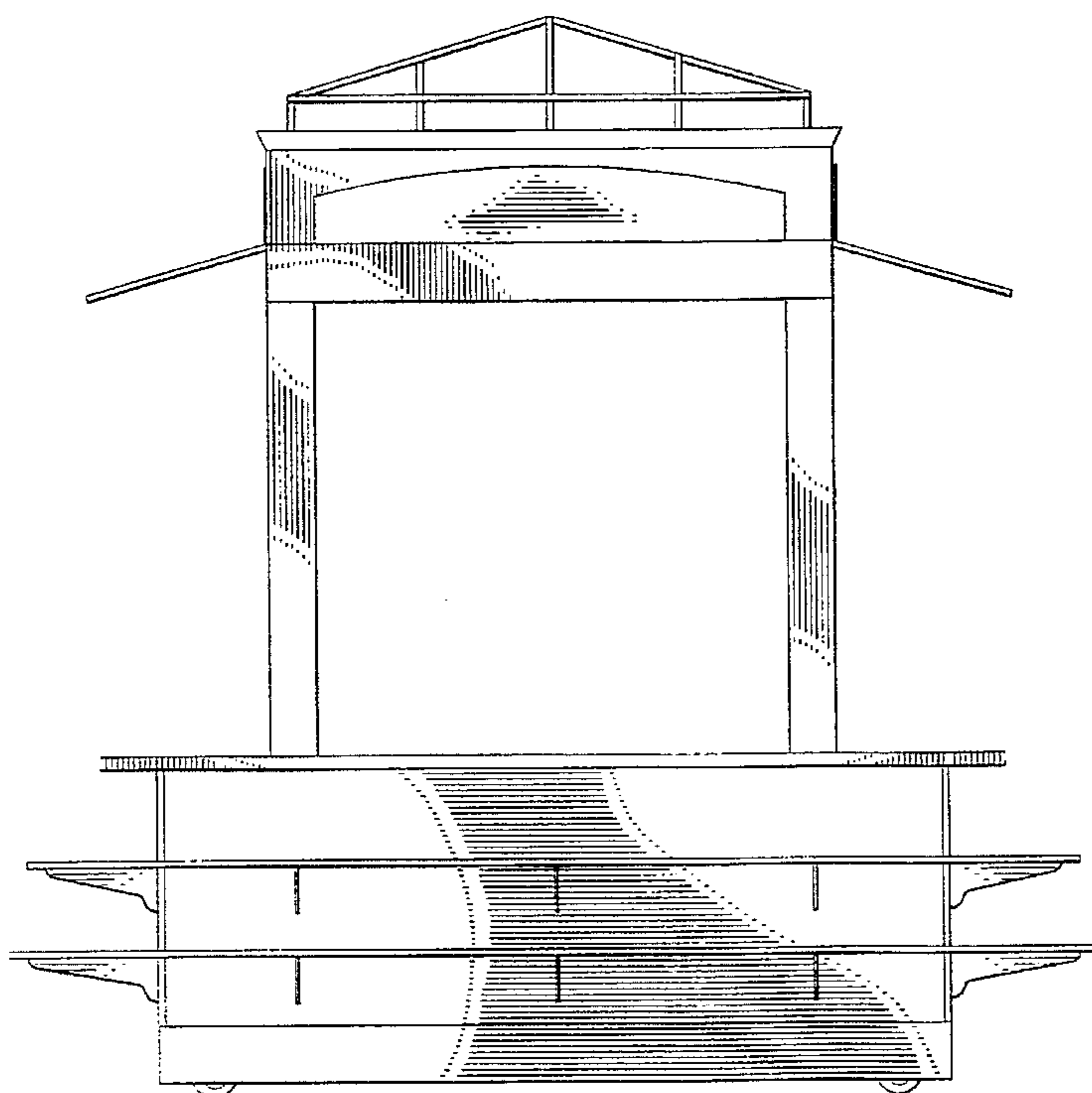
[57] **CLAIM**

The ornamental design for a “kiosk”, as shown and described.

DESCRIPTION

FIG. 1 is a front elevational view of a kiosk showing my new design, the rear view being identical thereto;
FIG. 2 is a right side elevational view thereof;
FIG. 3 is a top plan view thereof;
FIG. 4 is a bottom plan view thereof; and,
FIG. 5 is a left elevational view thereof.

1 Claim, 3 Drawing Sheets



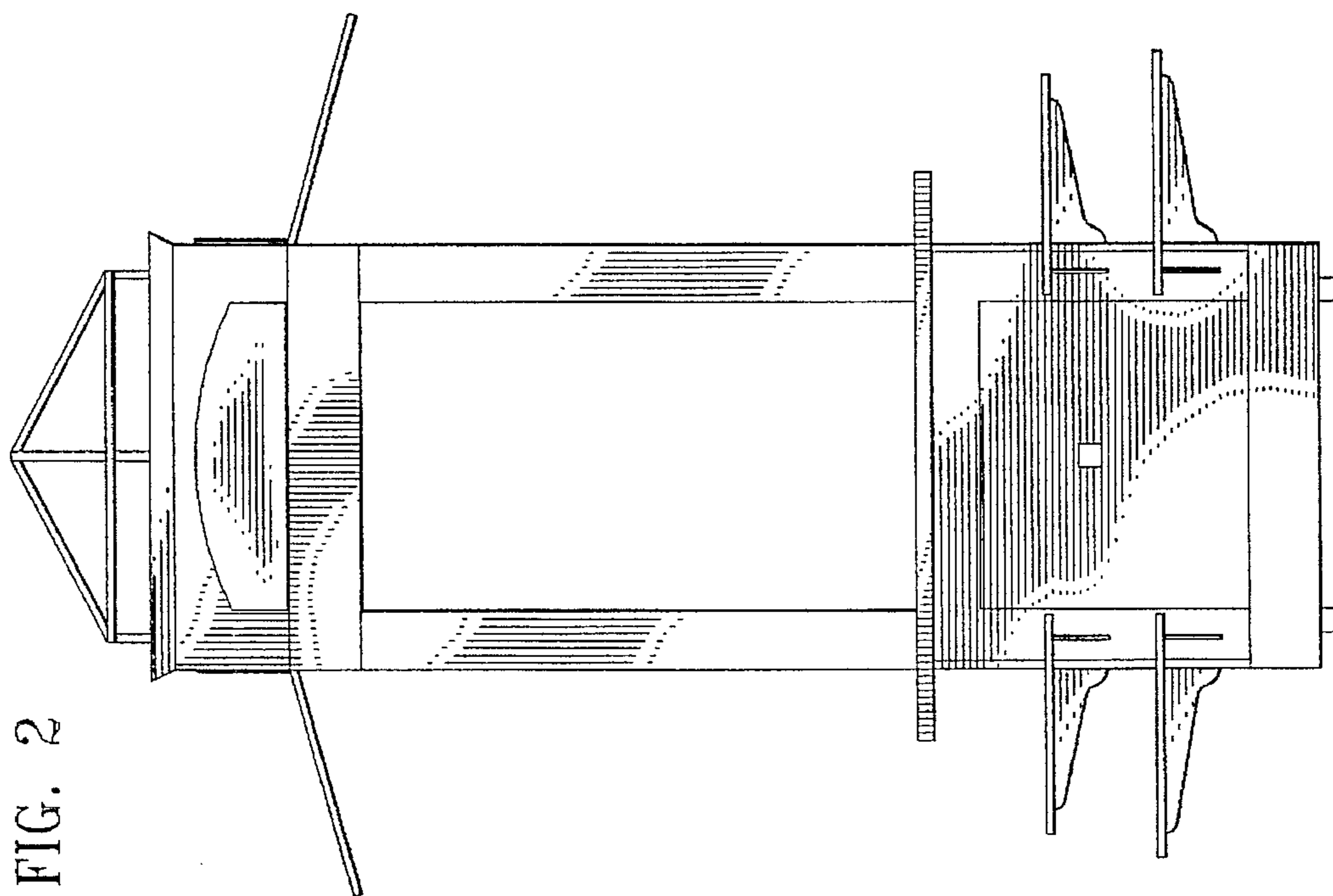


FIG. 2

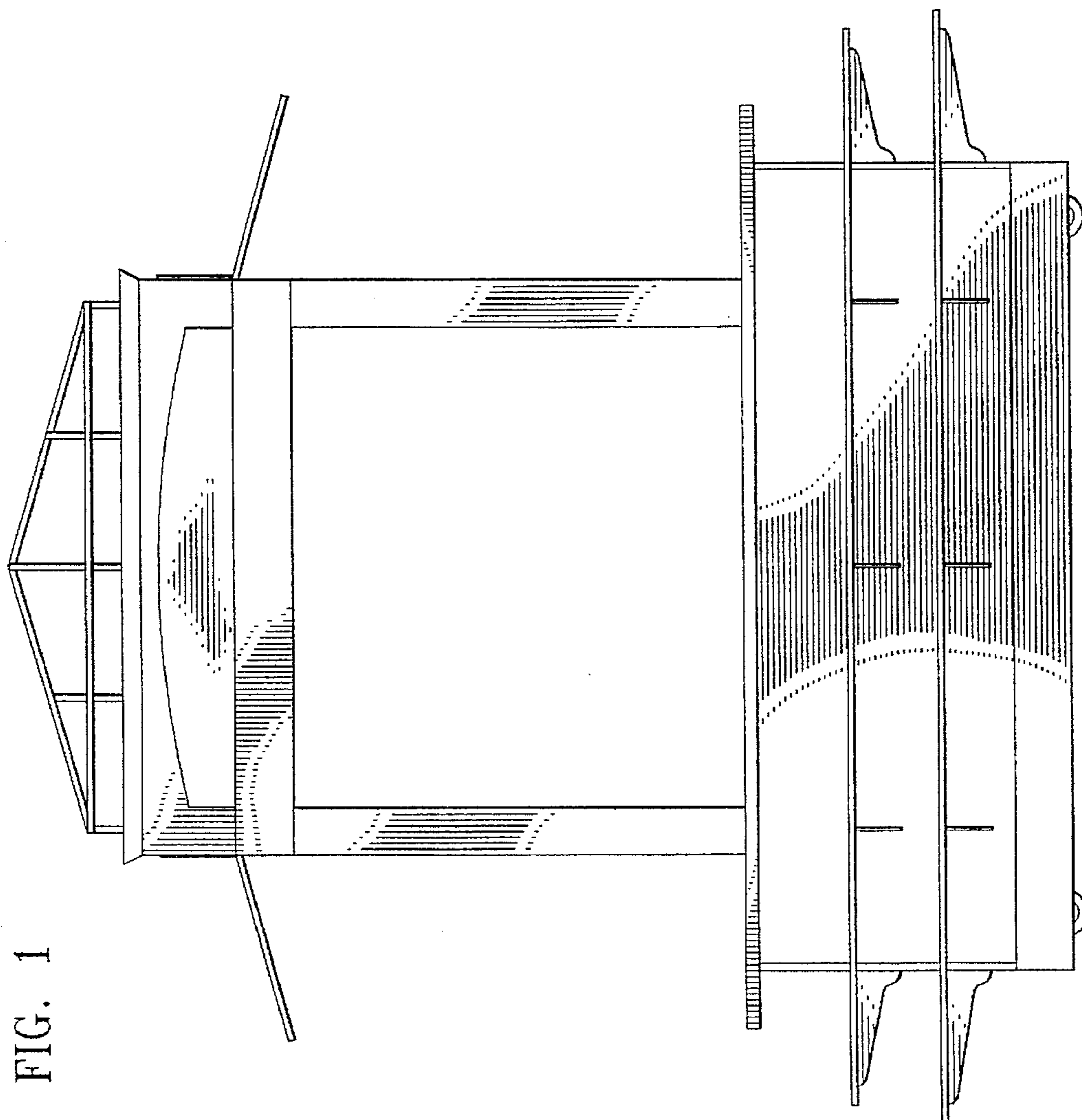


FIG. 1

FIG. 3

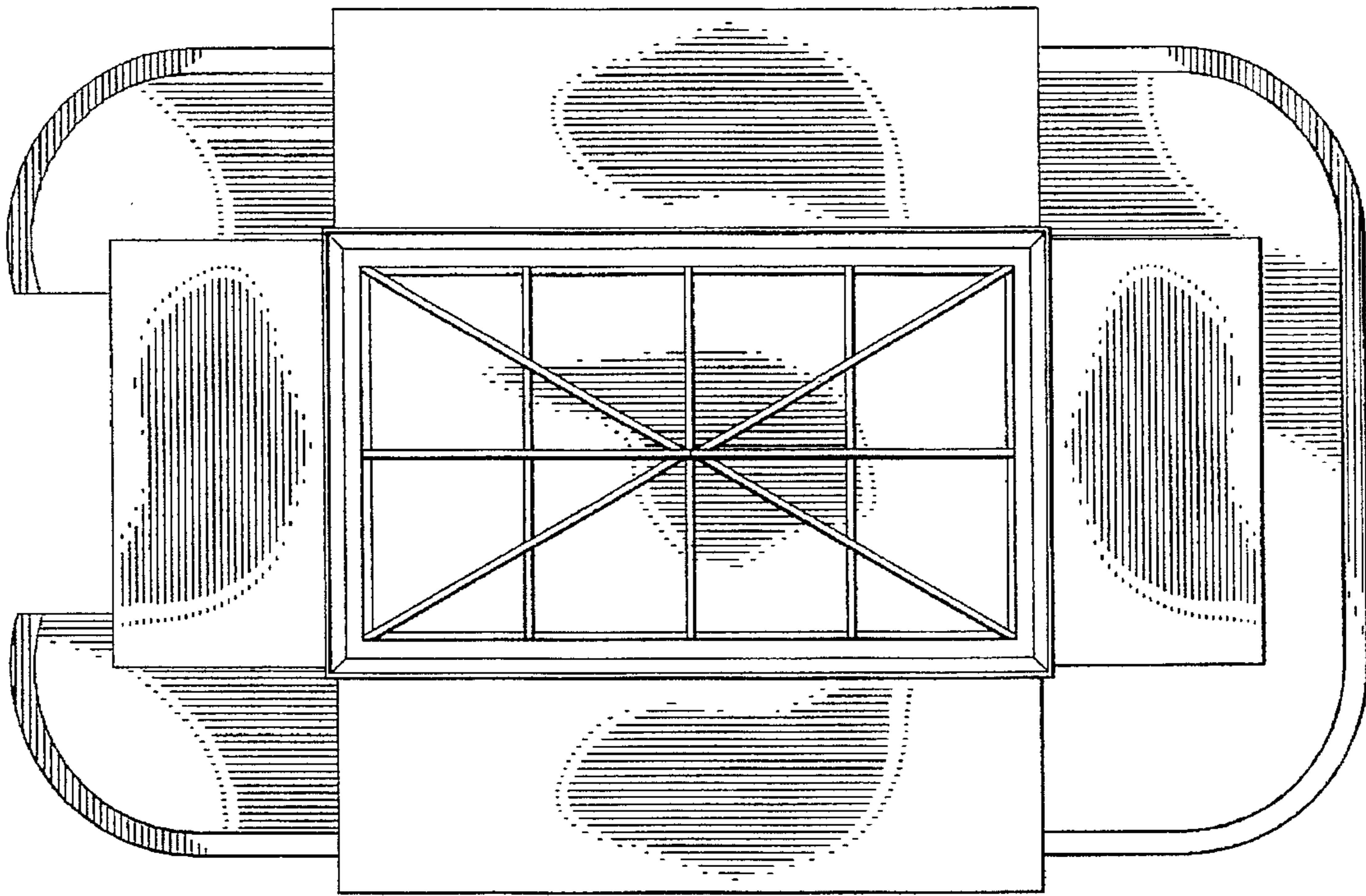


FIG. 4

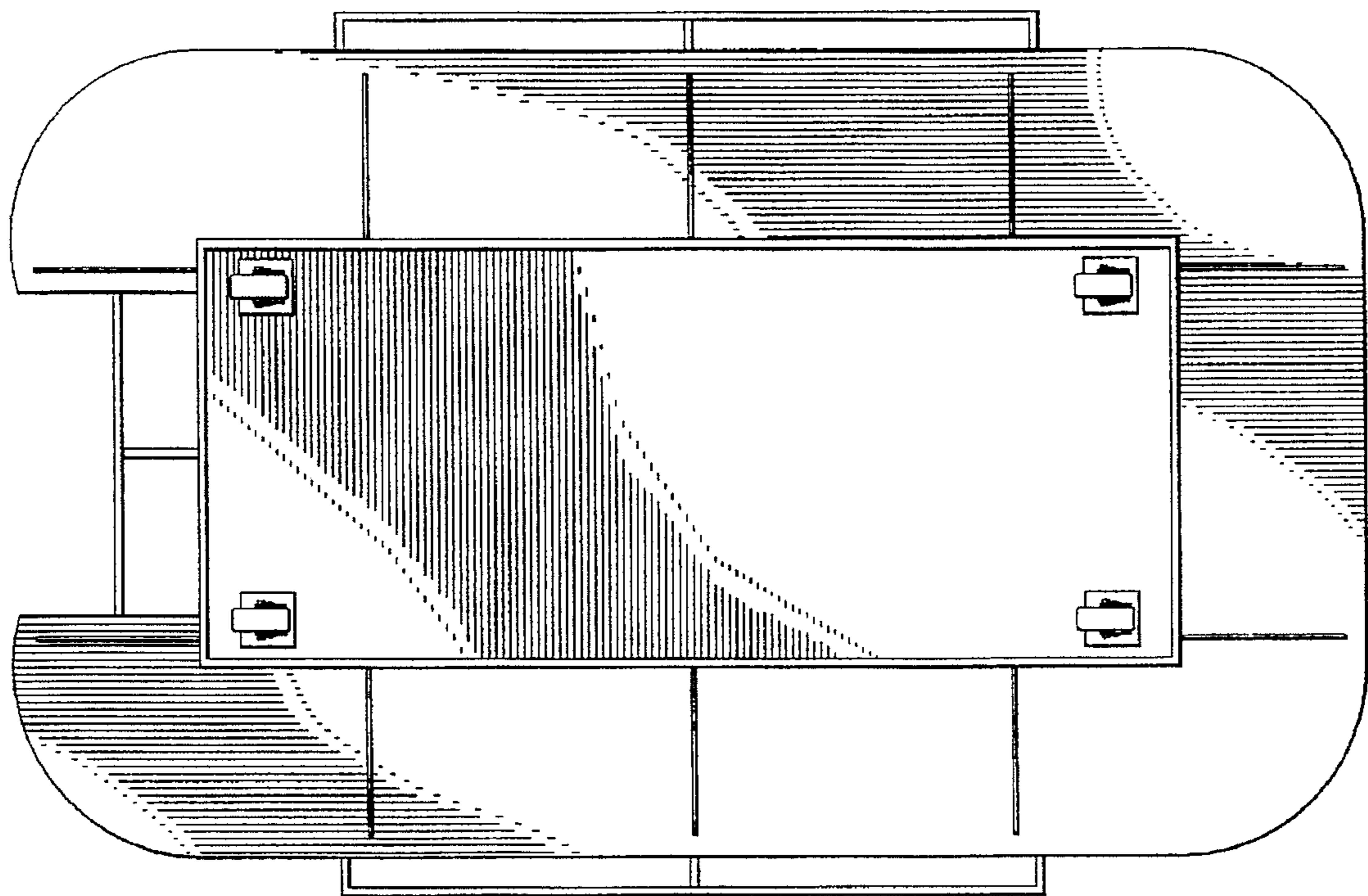


FIG. 5

