



US00D379663S

United States Patent [19]

Pearson et al.

[11] Patent Number: **Des. 379,663**

[45] Date of Patent: *****Jun. 3, 1997**

[54] TESTING INSTRUMENT

[75] Inventors: **Michael T. Pearson; Kishen Gohil**,
both of Surrey, Great Britain

[73] Assignee: **Unipath Limited**, Hampshire, United
Kingdom

[*] Notice: The portion of the term of this patent
subsequent to Jun. 3, 2011, has been dis-
claimed.

[**] Term: **14 Years**

[21] Appl. No.: **36,577**

[22] Filed: **Mar. 22, 1995**

[30] Foreign Application Priority Data

Sep. 23, 1994 [GB] United Kingdom 2042109

[51] LOC (6) Cl. **24-02**

[52] U.S. Cl. **D24/223; D10/81; D24/224;**
D24/225

[58] Field of Search D24/225, 224,
D24/223; 422/68.1, 58, 102, 81; 430/808,
906, 814; 435/970, 812, 7.92; D10/81,
46

[56] References Cited

U.S. PATENT DOCUMENTS

D. 341,663	11/1993	Coulter	D24/224 X
D. 348,522	7/1994	Groothuizen	D24/225 X
D. 358,218	5/1995	Groothuizen et al.	D24/225 X
4,857,453	8/1989	Ullman et al.	435/270 X

Primary Examiner—Doris V. Coles
Assistant Examiner—I. Simmons
Attorney, Agent, or Firm—Cushman Darby & Cushman IP
Group of Pillsbury Madison & Sutro, L.L.P.

[57] CLAIM

The ornamental design for a testing instrument, as shown
and described.

DESCRIPTION

FIG. 1 is a perspective view of a testing instrument showing
my new design from the front, top and left side;
FIG. 2 is a rear elevational view thereof;
FIG. 3 is a bottom plan view thereof; and,
FIG. 4 is a right side elevational view thereof.

1 Claim, 1 Drawing Sheet

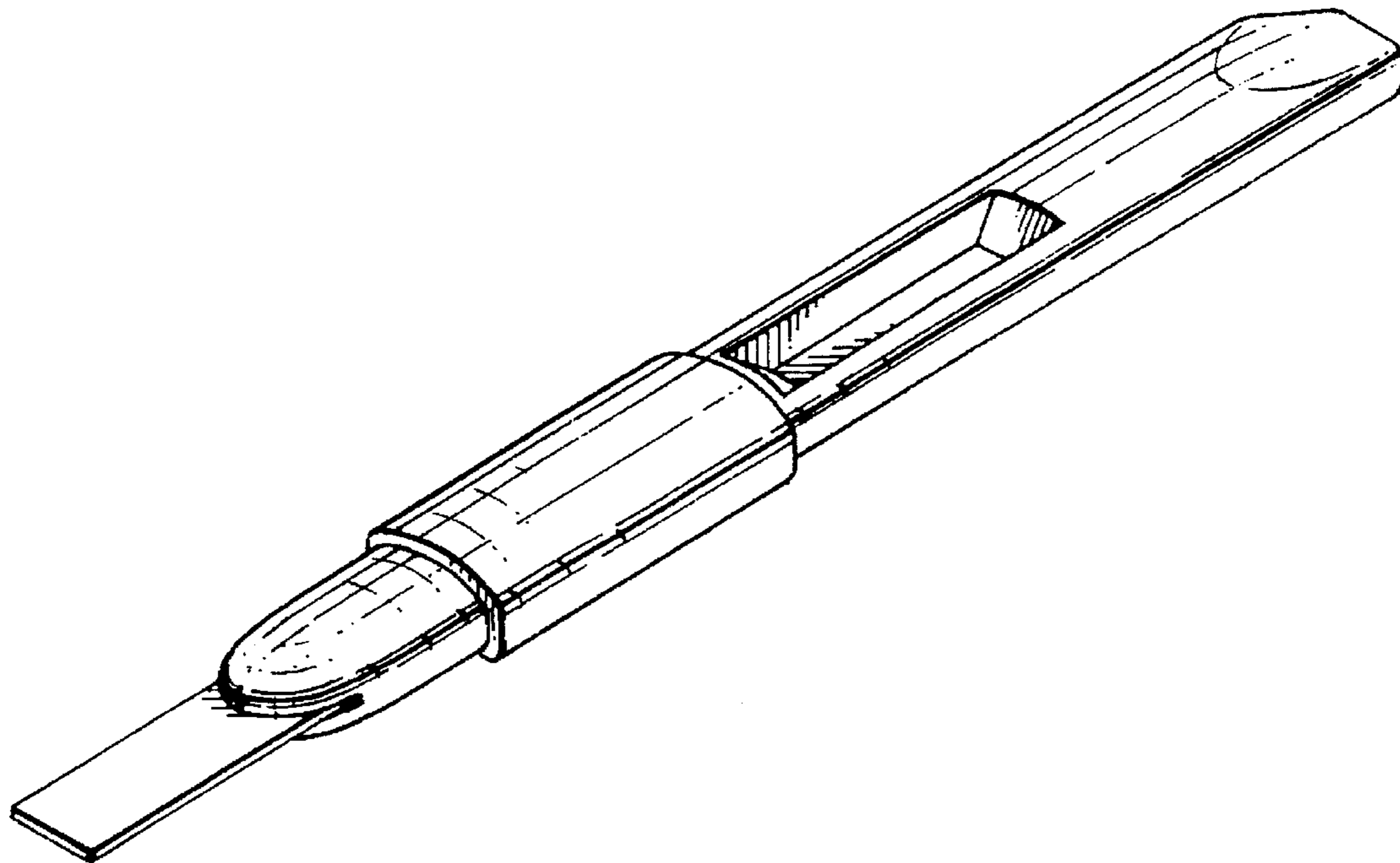


Fig.1.

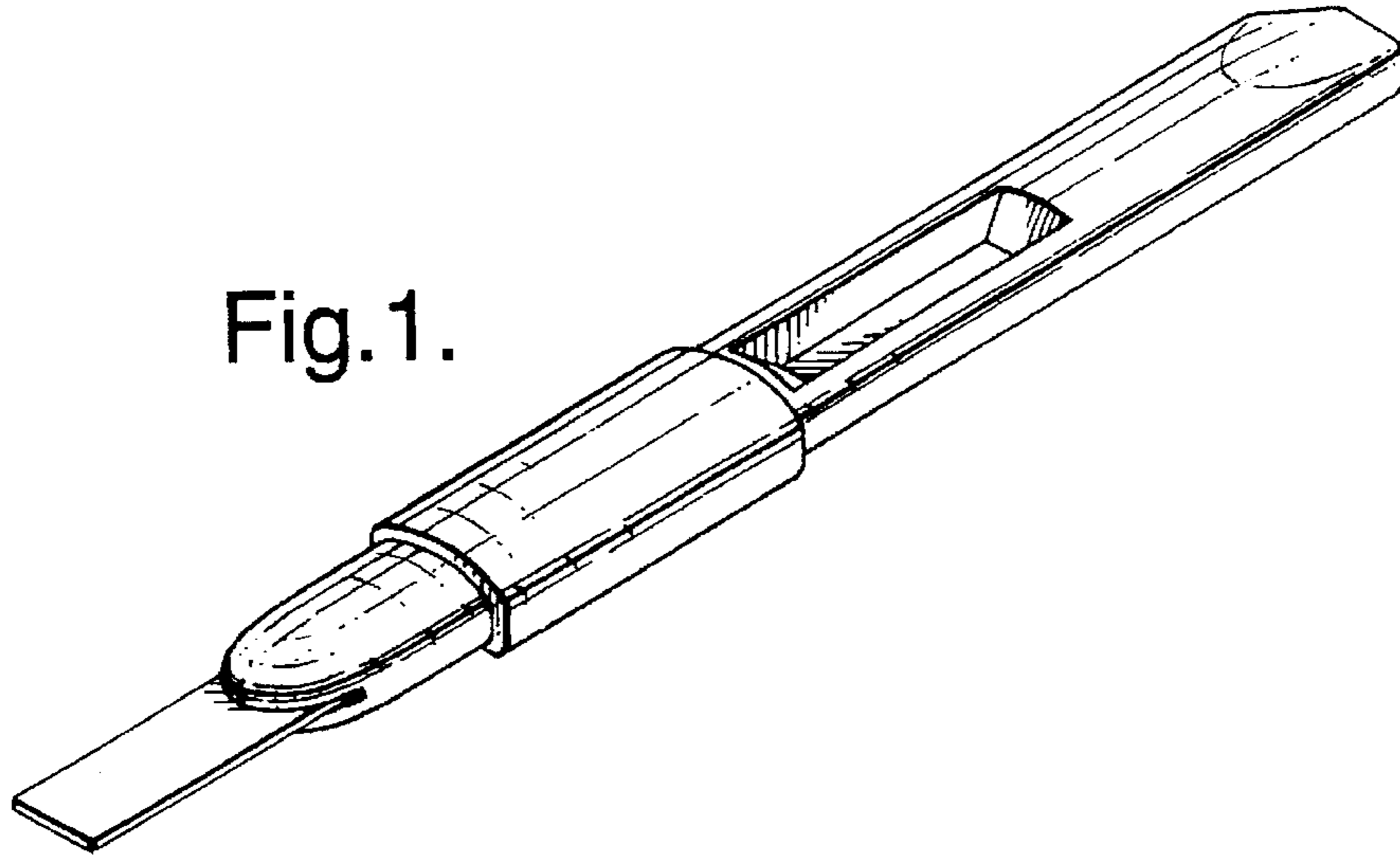


Fig.2.



Fig.3.

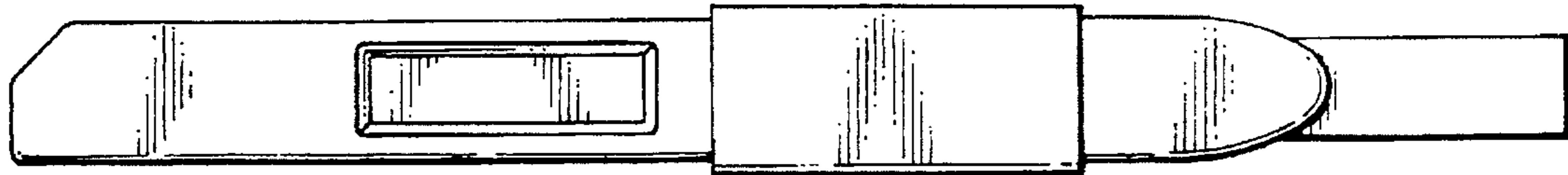


Fig.4.

