



US00D379662S

United States Patent [19]

Pearson et al.

[11] Patent Number: **Des. 379,662**

[45] Date of Patent: *****Jun. 3, 1997**

[54] **COMBINED TESTING INSTRUMENT AND CAP**

[75] Inventors: **Michael T. Pearson; Kishen Gohil**, both of Surrey, Great Britain

[73] Assignee: **Unipath Limited**, Hampshire, United Kingdom

[*] Notice: The portion of the term of this patent subsequent to Jun. 3, 2011, has been disclaimed.

[**] Term: **14 Years**

[21] Appl. No.: **36,575**

[22] Filed: **Mar. 22, 1995**

[30] **Foreign Application Priority Data**

Sep. 23, 1994 [GB] United Kingdom 2042110

[51] **LOC (6) Cl.** **24-02**

[52] **U.S. Cl.** **D24/223; D10/81; D24/224; D24/225**

[58] **Field of Search** **D24/224, 225; D10/81, 46; 422/61, 58, 68.1, 102; 436/810, 808, 809, 901; 435/970**

[56] **References Cited**

U.S. PATENT DOCUMENTS

D. 341,663 11/1993 Coulter D24/224 X

D. 348,522 7/1994 Groothuizen D24/225 X
D. 358,218 5/1995 Groothuizen et al. D24/225 X
4,857,453 8/1989 Ullman et al. 435/270 X

Primary Examiner—Doris V. Coles
Assistant Examiner—I. Simmons
Attorney, Agent, or Firm—Cushman Darby & Cushman IP Group of Pillsbury Madison & Sutro, L.L.P.

[57] **CLAIM**

The ornamental design for a combined testing instrument and cap, as shown and described.

DESCRIPTION

FIG. 1 is a perspective view of a combined testing instrument and cap showing my new design from the front, top and left side;

FIG. 2 is a bottom plan view thereof;

FIG. 3 is a right side elevational view thereof;

FIG. 4 is a rear elevational view thereof;

FIG. 5 is a perspective view thereof from the front, top and left side showing the cap separated from the testing instrument; and,

FIG. 6 is a perspective view thereof from the front, top and left side showing the cap in an alternative position.

1 Claim, 2 Drawing Sheets

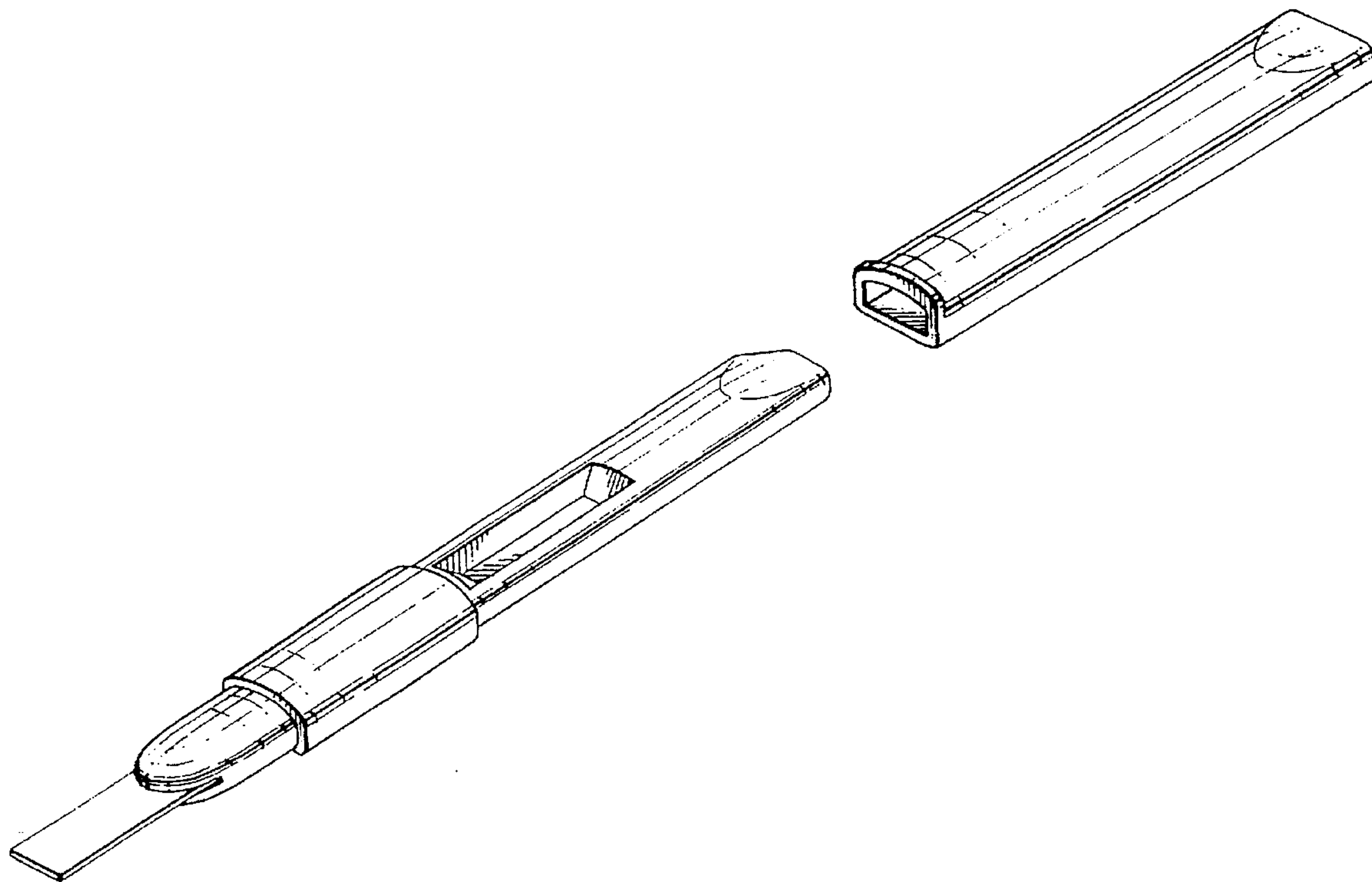


Fig.1.

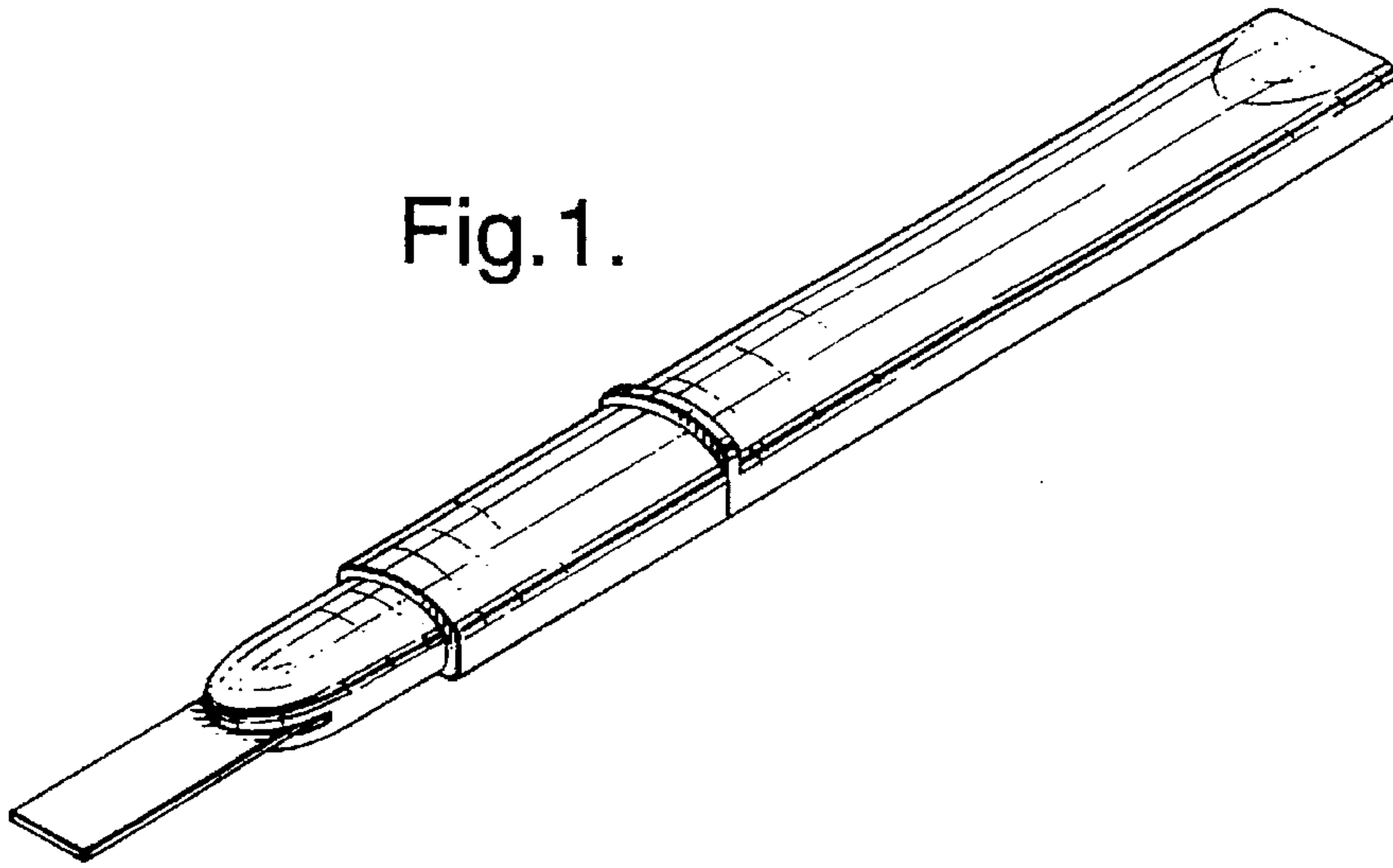


Fig.2.

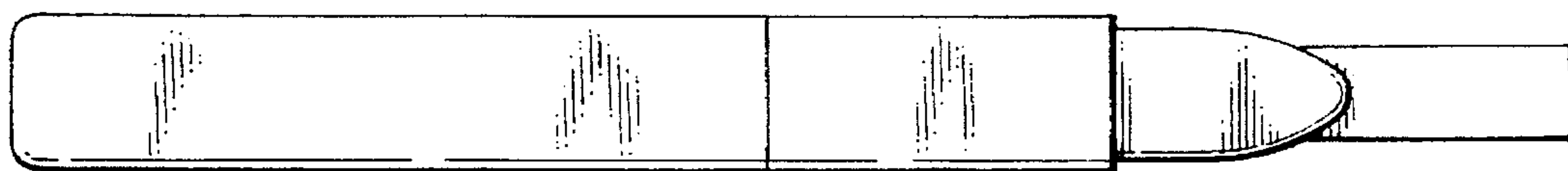


Fig.3.



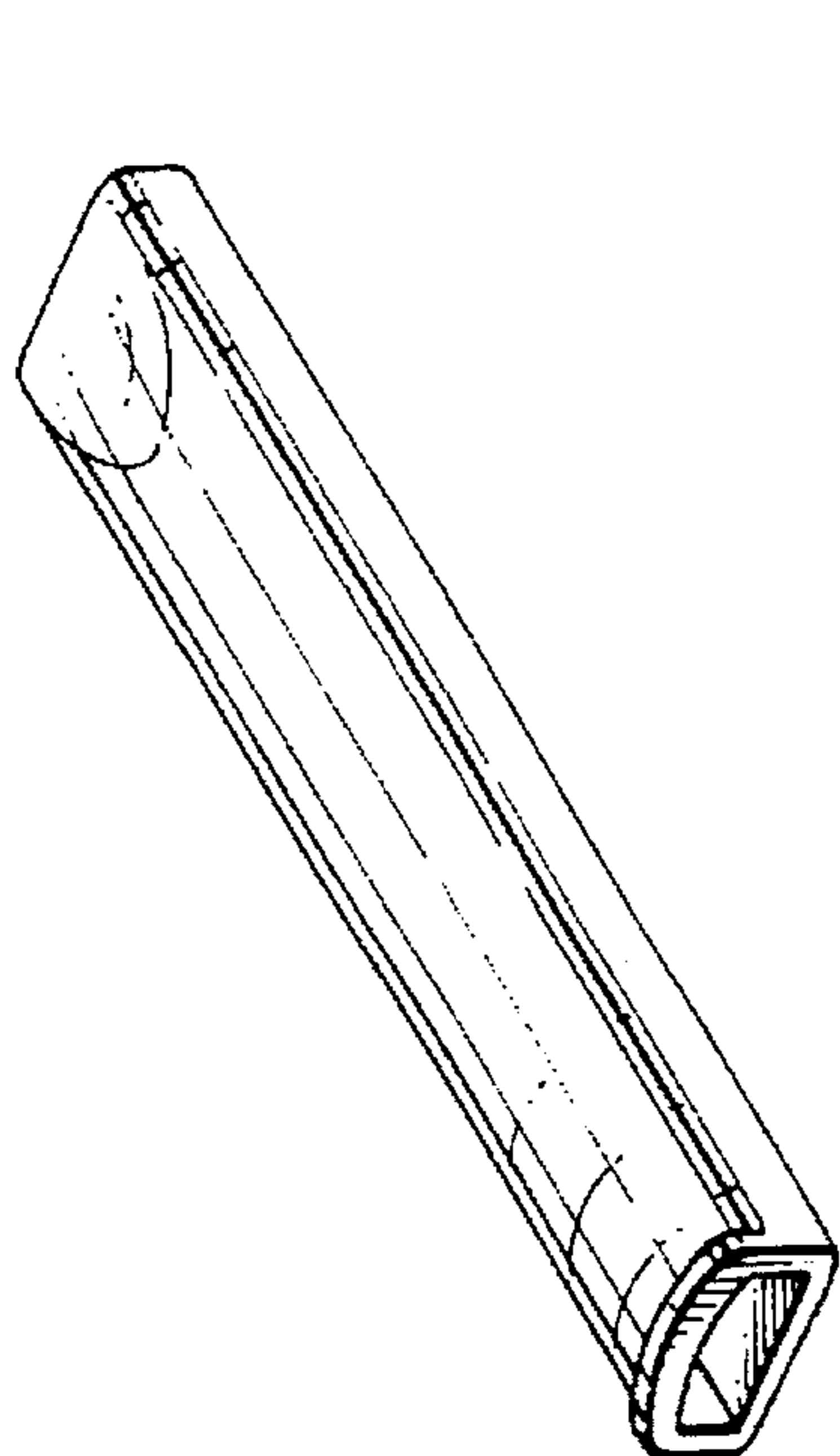


Fig. 4.

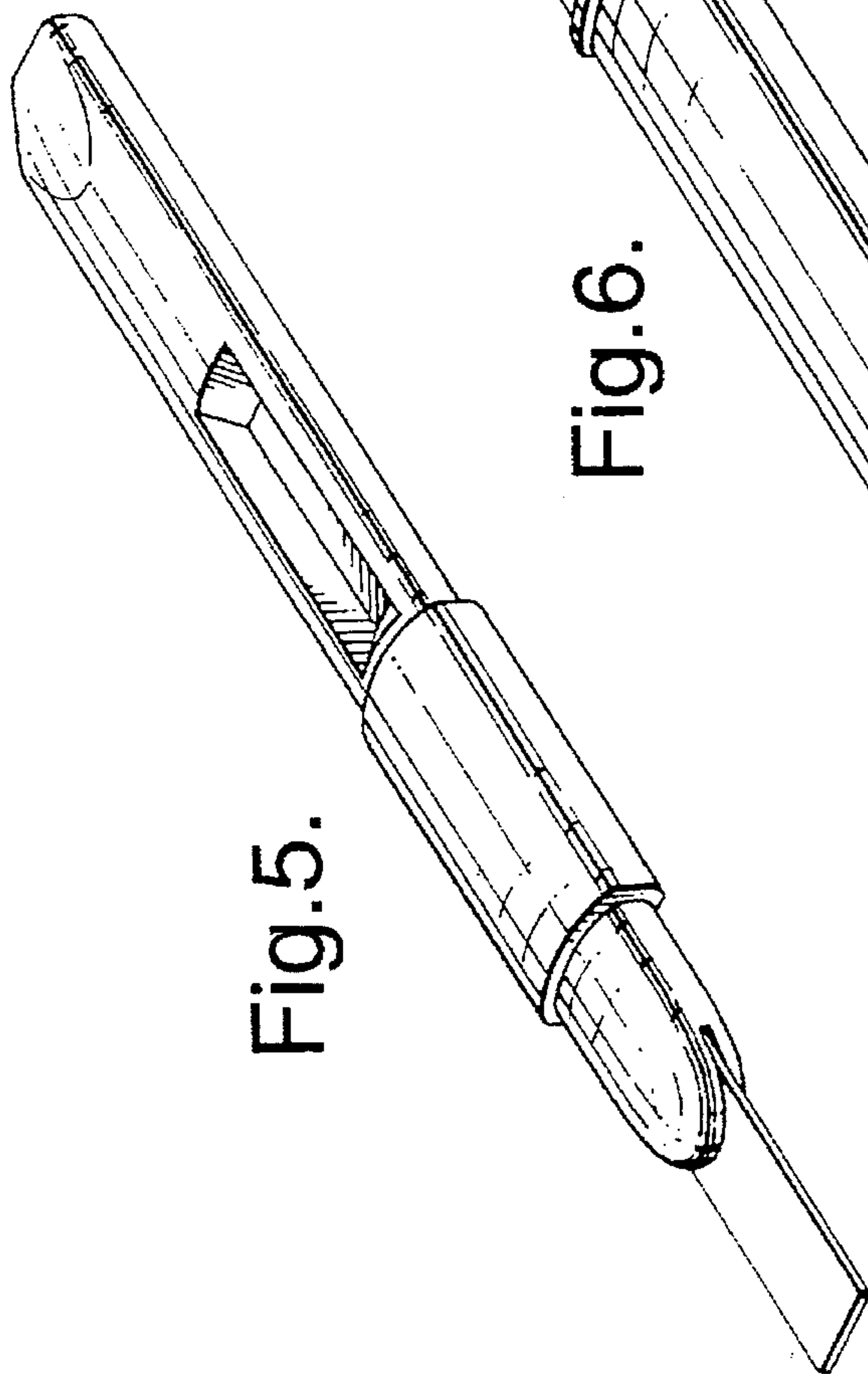
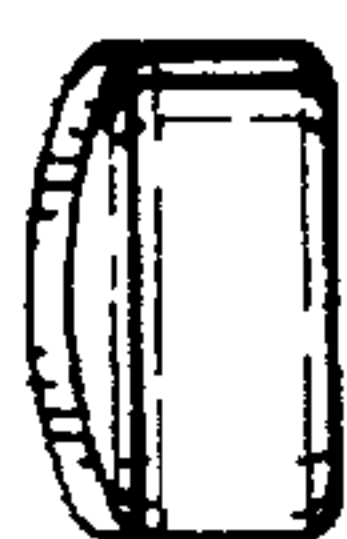


Fig. 5.

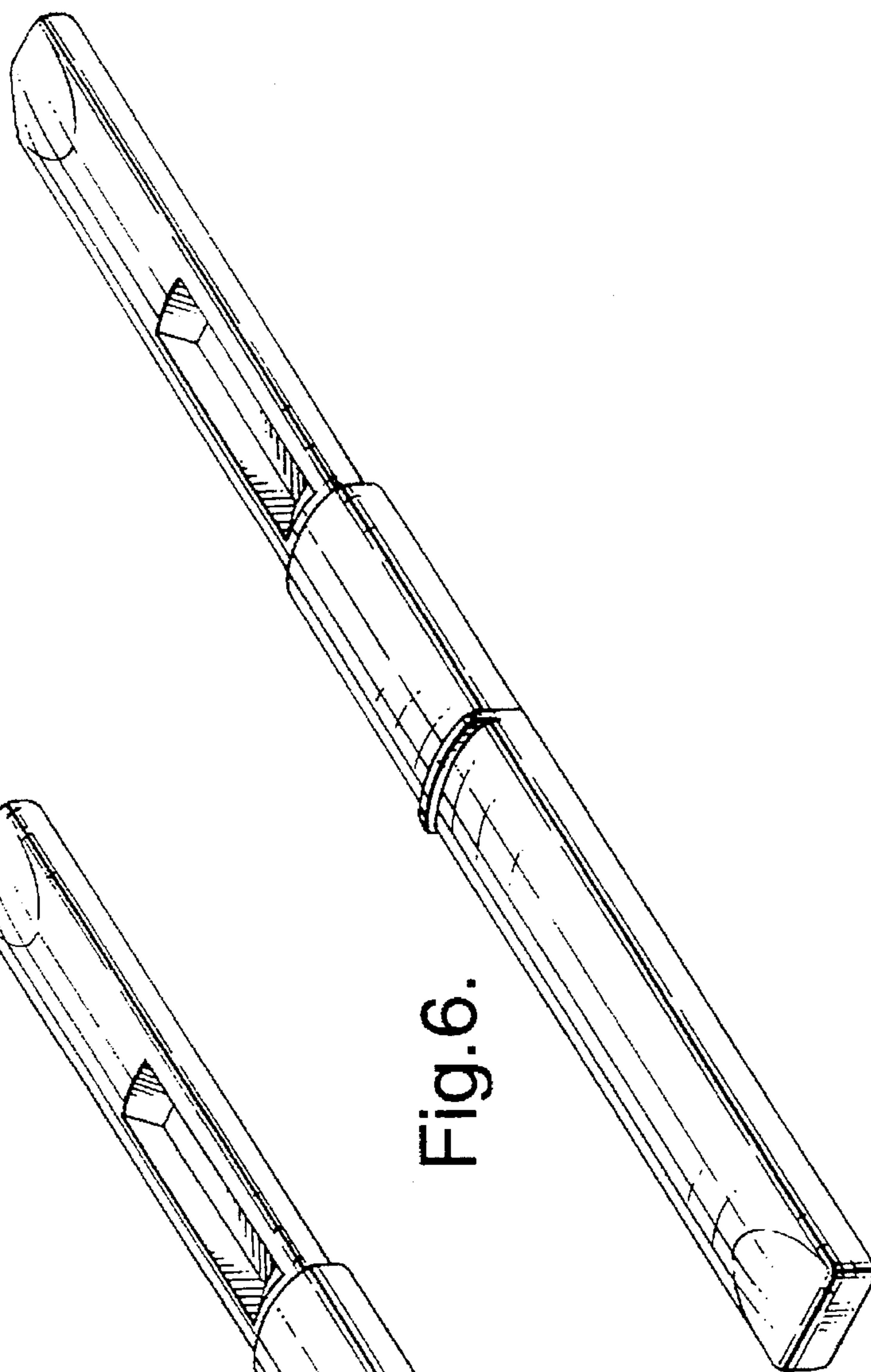


Fig. 6.